

Hotline: 0 73 03 / 901 980

R O B E
Reinigungsmaschinen

Zur Aumühle 36 | 89257 Illertissen
Tel.: 0 73 03 / 901 980 | Fax 0 73 03 / 901 981 8
info@wap-nilfisk-alto-shop.de

www.wap-nilfisk-alto-shop.de

PARTS LIST

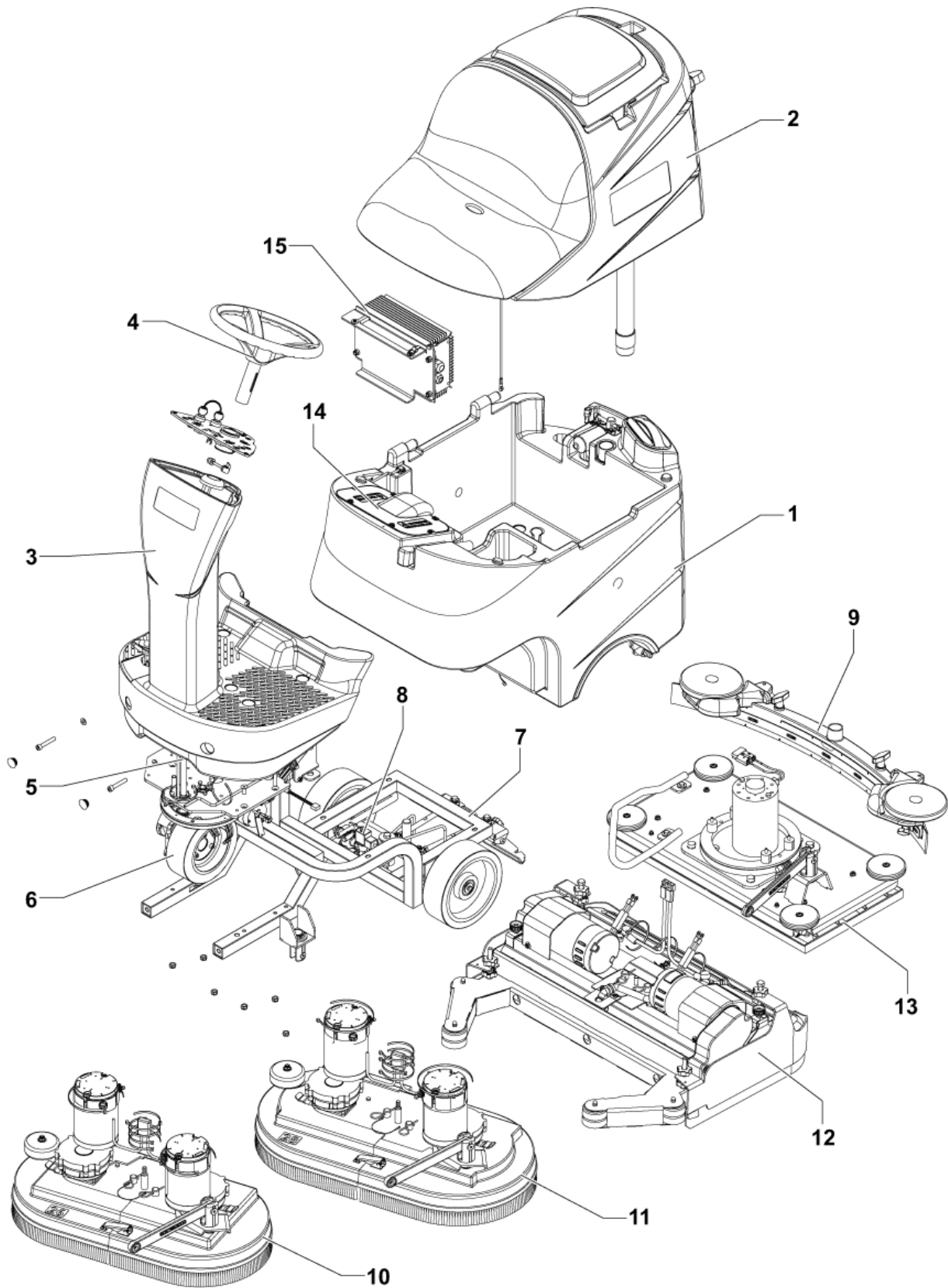


2024.03.27

NILFISK

TABLE OF CONTENTS

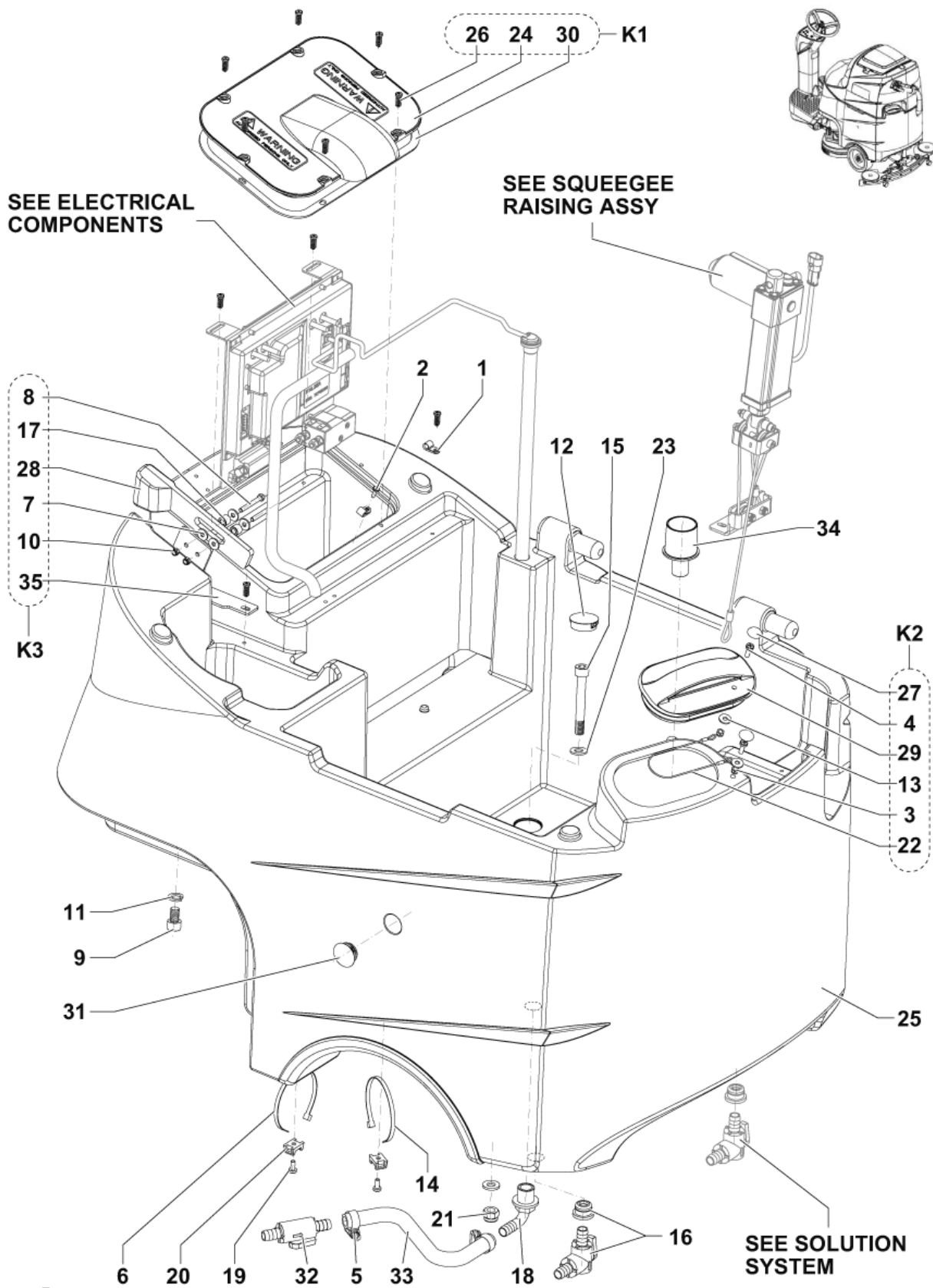
GENERAL VIEW	1
SOLUTION TANK	3
RECOVERY TANK	5
COLUMN SYSTEM	7
STEERING ASSY	9
STEERING WHEEL SUPPORT ASSY	11
DRIVE WHEEL ASSY	13
CHASSIS SYSTEM	15
SOLUTION SYSTEM	17
SQUEEGEE RAISING ASSY	19
SQUEEGEE SYSTEMS	21
MAGIC DECK ASSEMBLY	23
BRUSHES DECK SYSTEMS	25
MAGIC DECK ASSEMBLY CYL. BRUSH	27
CYLINDRICAL BRUSHES DECK 1	29
CYLINDRICAL BRUSHES DECK 2	31
BOOST BRUSH DECK	33
MAGIC DECK ASSEMBLY BOOST BRUSH	35
ELECTRICAL COMPONENTS	37
BATTERY CHARGER	39
ACCESSORIES 1	41
ACCESSORIES 2	43
ACCESSORIES 3	45
ACCESSORIES 4	47
WIRING DIAGRAM	49
RECOMMENDED SPARE PARTS	51



Pos.	Artikel-Nr.	Menge	Variante	Notes
1		1	SOLUTION TANK	[1]
2		1	RECOVERY TANK	[2]
3		1	COLUMN SYSTEM	[3]
4		1	STEERING ASSY	[4]
5		1	STEERING WHEEL SUPPORT ASSEMBLY	[5]
6		1	DRIVE WHEEL ASSEMBLY	[6]
7		1	CHASSIS SYSTEM	[7]
8		1	SOLUTION SYSTEM	[8]
9		1	SQUEEGEE SYSTEMS	[9]
10		1	BRUSHES DECK SYSTEM 650	[10]
11		1	BRUSHES DECK SYSTEM 750	[10]
12		1	CYLINDRICAL BRUSHES SYSTEM	[11]
13		1	BOOST DECK SYSTEM	[12]
14		1	ELECTRICAL COMPONENTS	[13]
15		1	BATTERY CHARGER	[14]

Part Notes:

- [1] - SOLUTION TANK
- [2] - RECOVERY TANK
- [3] - COLUMN SYSTEM
- [4] - STEERING ASSY
- [5] - STEERING WHEEL SUPPORT ASSY
- [6] - DRIVE WHEEL ASSY
- [7] - CHASSIS SYSTEM
- [8] - SOLUTION SYSTEM
- [9] - SQUEEGEE SYSTEMS
- [10] - BRUSHES DECK SYSTEMS
- [11] - CYLINDRICAL BRUSHES DECK 1
- [12] - BOOST BRUSH DECK
- [13] - ELECTRICAL COMPONENTS
- [14] - BATTERY CHARGER

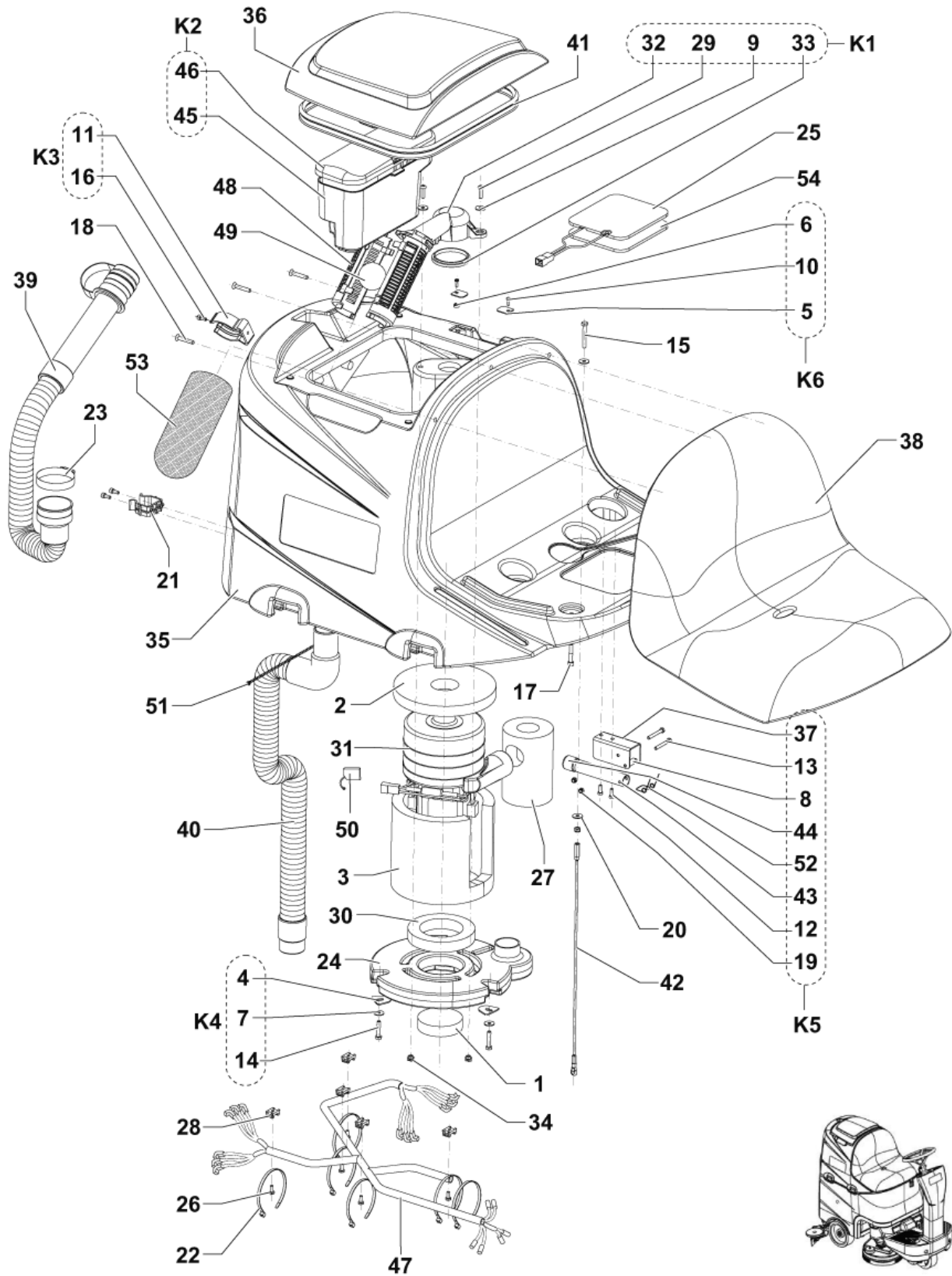


Resource notes:
K4 - NOT SHOWN

Pos.	Artikel-Nr.	Menge	Variante	Notes
16	9097626000	1	Winkelventilkit	
18	909 6087 000	1	Verbindung	
21	9100000803	2	HAHN	
25	9100001583	1	TANK SOLUTION BLUE PKD	
31	33023302	2	CAP BLACK SIP	
32	9098173000	1	VALVE 1/2-1/2	
33	9098175000	1	HOSE PVC W/SPIRAL D12X18 L.270MM PKD	
34	9098224000	1	Adapter Frischwassertank	
K1	9098707000	1	COVER ELECTRONIC CARD KIT	[1]
K2	9099167000	1	CAP SOLUTION TANK KIT	[2]
K3	9098710000	1	LEVER BATTERY DEACTIVATION KIT	[3]
K4	9098711000	1	HARDWARE SOLUTION TANK KIT	[4]

Part Notes:

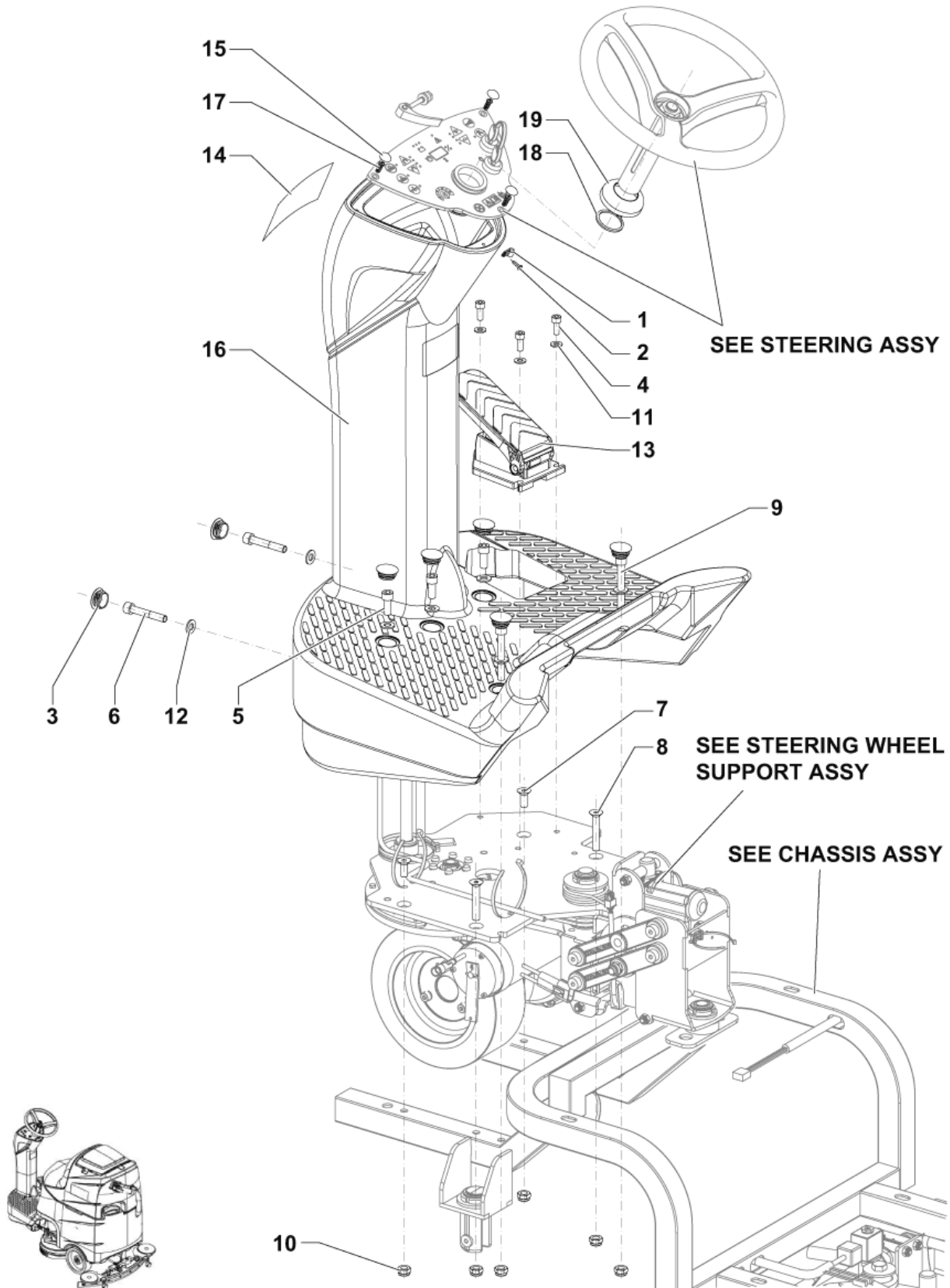
- [1] - Item 24-26-30
- [2] - Item 3-4-13-22-27-29
- [3] - Item 7-8-10-17-28-35
- [4] - NOT SHOWN - Item 1-2-5-6-9-11-12-14-15-19-20-21-23-26



Pos.	Artikel-Nr.	Menge	Variante	Notes
1	909 6672 000	1	Filter	
2	909 6489 000	1	Dichtung	
3	909 6491 000	1	Panel, schalldämpfend	
21	9100001164	1	CLAMP HOSE D.40 BLACK KIT	
23	146 0771 000	1	CLAMP	
24	9100001246	1	COVER VACUUM MOTOR PKD	
25	9100001152	1	MICROSWITCH PKD	
27	909 6442 000	1	Geräuschdämmung f.	
30	9097555000	1	Dichtung	
31	9100001706	1	HIGH POWER VAC 570W KIT	[1]
31	9100003042	1	MOTOR VACUUM 3ST 24V 400W KIT	
35	9098348000	1	TANK RECOVERY BLUE	
36	9098349000	1	COVER TANK BLUE	
38	9097858000	1	Sitz	
39	9100001890	1	Ablassschlauch L.611mm SIP	
40	9098169000	1	Saugschlauch	
41	9098895000	1	GASKET BULB RUBBER L.1150MM SIP	
42	9098177000	1	Halteseil	
47	9098235000	1	pARNESS RECOVERY TANK	
48	9100000818	1	CAGE FLOAT HALF 2 PCS SET	
49	9100000817	1	Kugel Schwimmerventil	
50	9098716000	1	Kohlenbürste Kit	
53	909 5065 000	1	Filter antischaum	[2]
54	9099210000	1	Klebefolie	
K1	9100001875	1	SUPPORT FLOAT KIT	[3]
K2	9098712000	1	Grobschmutzkorb-Set	[4]
K3	909 6380 000	1	Schlauchklammer BR 601BR 751	[5]
K4	909 6877 000	1	Motor Befestigungskit	[6]
K5	9098713000	1	BRACKET SAFETY KIT	[7]
K6	9098714000	1	FIXING TANK KIT	[8]
K7	9098715000	1	HARDWARE RECOVERY TANK KIT	[9]

Part Notes:

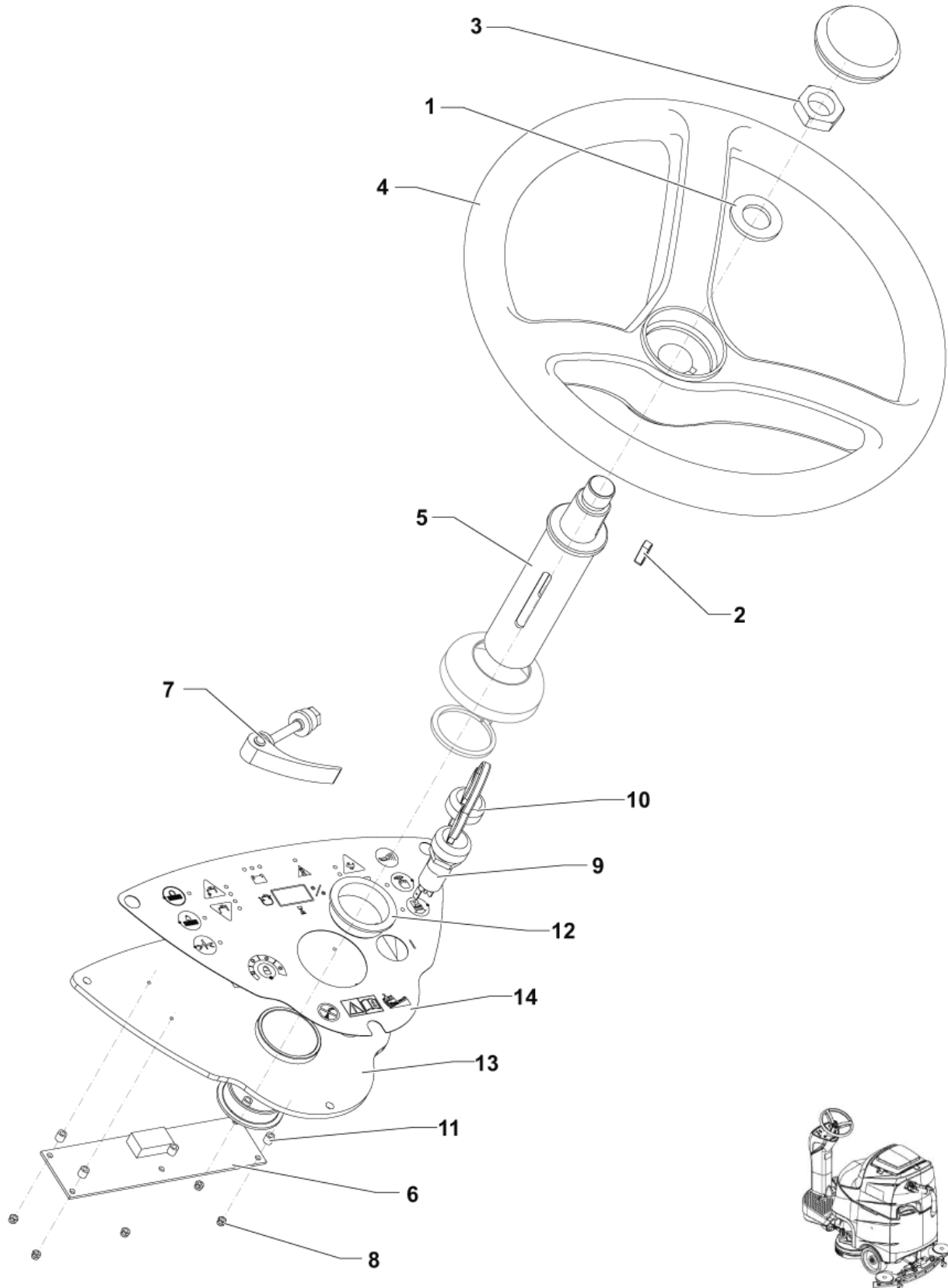
- [1] - OPTIONAL - INST.INSTR. 9100001707
- [2] - Optional
- [3] - Item 9-29-32-33
- [4] - Item 45-46
- [5] - Item 11-16
- [6] - Item 4-7-14
- [7] - Item 8-12-13-19-37-43-44-52
- [8] - Item 5-6-10
- [9] - NOT SHOWN - Item 7-15-17-18-20-22-26-28-34-51



Pos.	Artikel-Nr.	Menge	Variante	Notes
13	9100001421	1	PEDAL SPEED CONTROL KIT	[1]
13	9100001420	1	PEDAL MECHANICAL SIP	[2]
14	9100001543	1	DECALS SCRUBTEC R 466/471/BOOST KIT	[3]
14	9100001561	1	DECALS SCRUBTEC R 4 ALTO CUSTOM KIT	[3]
16	9098346000	1	FOOTBOARD WITH COLUMN BLUE	
19	9097806000	1	PROTECTION STEERING RING	
K1	9100001448	1	HARDWARE STEERING COLUMN KIT	[4]

Part Notes:

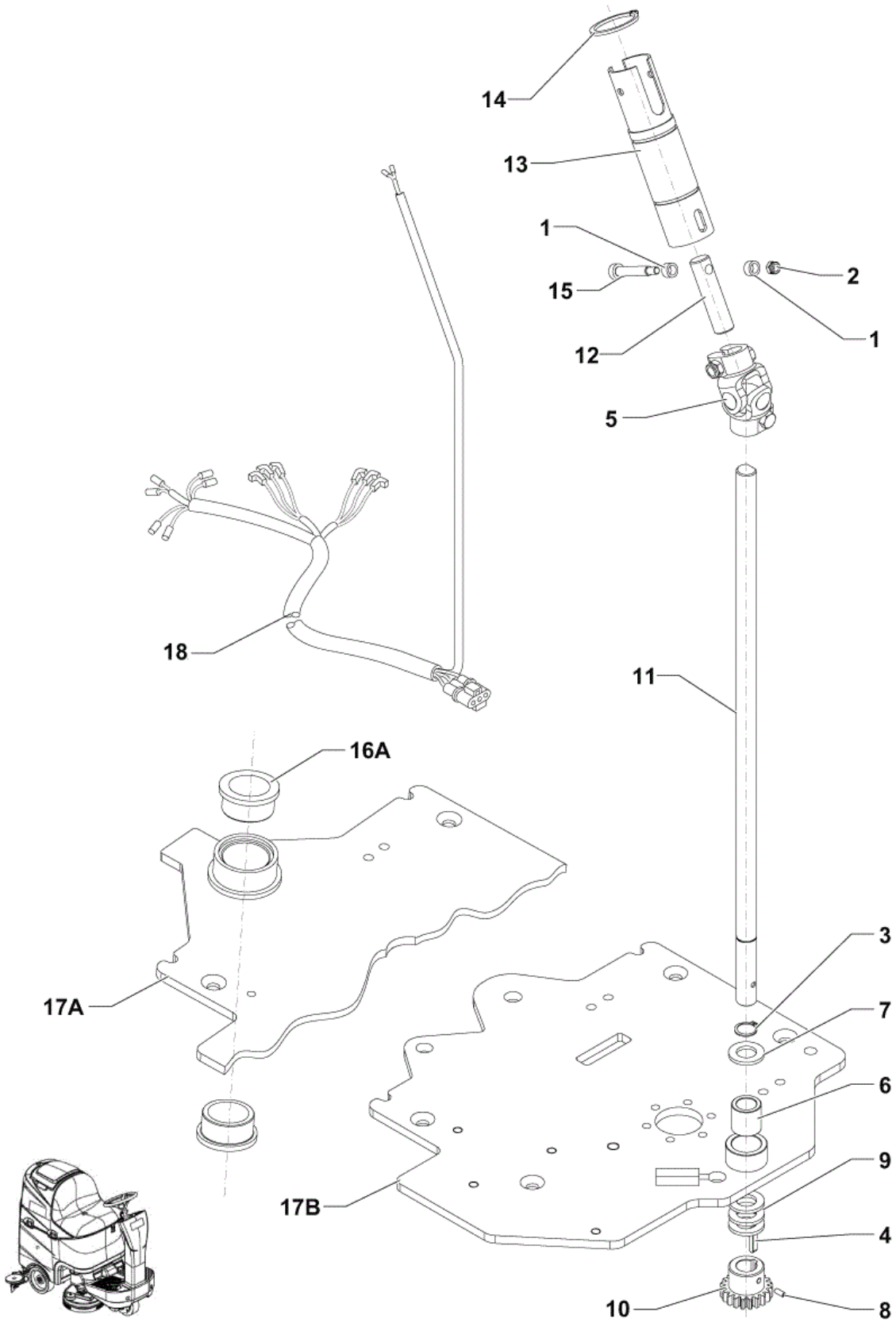
- [1] - UNTIL S/N 3510160702621 - See TSB-FC 2015-030
See Inst. Instr. 9100001439
- [2] - STARTING FROM S/N 3510160702622 - See TSB-FC 2015-030
- [3] - STOCK COVERS GUARANTEE
- [4] - NOT SHOWN - Item 1-2-3-4-5-6-7-8-9-10-11-12-15-17-18



Pos.	Artikel-Nr.	Menge	Variante	Notes
2	1466147000	1	KEY 5X5X20 UNI6604A PKD	
4	9100002197	1	WHEEL STEERING D.320 KIT	
5	9098782000	1	TUBE STEERING WHEEL ADJUSTMENT	
6	9100000181	1	CARD ELECTRONIC FUNCTIONS KIT	
7	9097796000	1	Lenksaule Hoeheneinstellung	
9	9100001354	1	Schlüsselschalter komplett	
10	146 2887 000	1	Schlüssel (2 Stück)	
12	9100001085	2	BEARING FLANGE IGLIDUR GFM-4044-14 SIP	
13	9098780000	1	PLATE STEERING WHEEL FIXING	
14	9098781000	1	Aufkleber	
K1	9099169000	1	HARDWARE STEERING WHEEL KIT	[1]

Part Notes:

[1] - NOT SHOWN - Item 1-3-8-11



STEERING WHEEL SUPPORT ASSY

SCRUBTEC R 471

2017.11.02

2018.02.12

Pos.	Artikel-Nr.	Menge	Variante	Notes
4	1466146000	1	KEY 5X5X25 UNI6604A PKD	
5	1466319000	1	JOINT UNIVERSAL D.17 PKD	
10	909 5943 000	1	Buchse	
11	9100001701	1	SHAFT STEERING PHOS. PKD	
12	9098779000	1	SHAFT STEERING UPPER GALV.	
13	9100001450	1	TUBE STEERING KIT	[1]
15	9098166000	1	SCREW 8X40 M6 ISO7379 12.9 GEOMET 320A	
16A	9098216000	2	BUSH FLANGED D.30X38X44	[2]
17A	9100001851	1	PLATE STEERING SUPPORT KIT	[3]
17B	9100001852	1	PLATE STEERING SUPPORT CYL KIT	[4]
18	9100001435	1	HARNESS FOOTBOARD DISC DECK SIP	[5]
18	9100001428	1	HARNESS FOOTBOARD DISC DECK SIP	[6]
18	9100001437	1	HARNESS FOOTBOARD CYL.DECK SIP	[7]
18	9100001430	1	HARNESS FOOTBOARD CYL.DECK SIP	[8]
K1	9100001449	1	HARDWARE STEERING SUPPORT KIT	[9]

Part Notes:

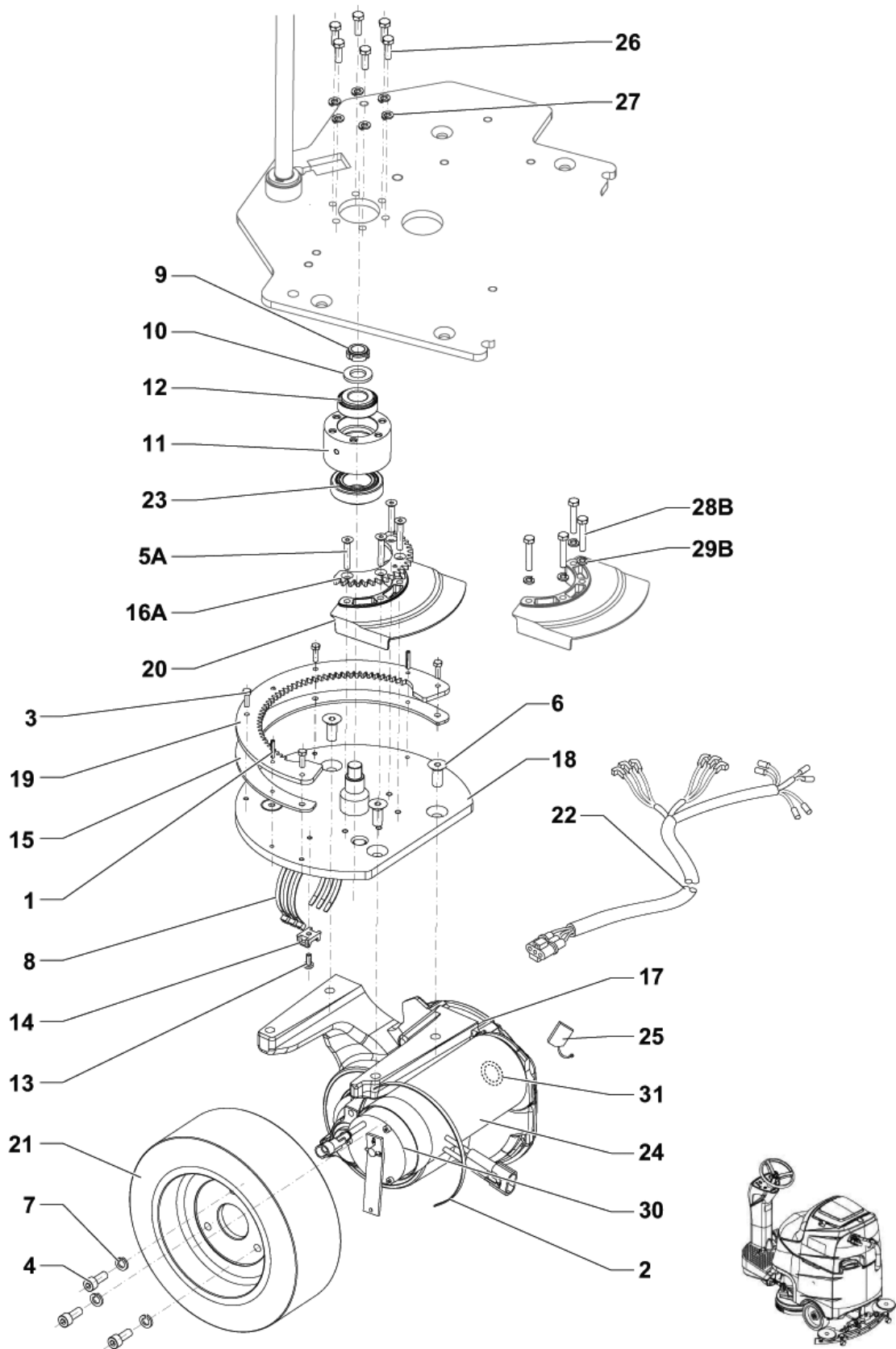
- [1] - SEE TSB IT 2011-076
- [2] - For SCRUBTEC R466 - R471 - BOOST R4
- [3] - For SCRUBTEC R466 - R471 - BOOST R4
- [4] - STOCK COVERS GUARANTEE

Only for SCRUBTEC R471C
- [5] - SEE TSB-FC-2015-030

Only for SCRUBTEC R466 - R471 - BOOST R4
SEE INST. INSTR. 9100002613
- [6] - Only for SCRUBTEC R466 - R471 - BOOST R4
STARTING FROM S/N 3510160702622 - SEE TSB-FC 2015-030
SEE INST. INSTR. 9100002613
- [7] - SEE TSB-FC-2015-030 SEE PI 2017-002

Only for SCRUBTEC R471C
SEE INST. INSTR. 9100002613
- [8] - GUARANTEE DATE EXPIRED

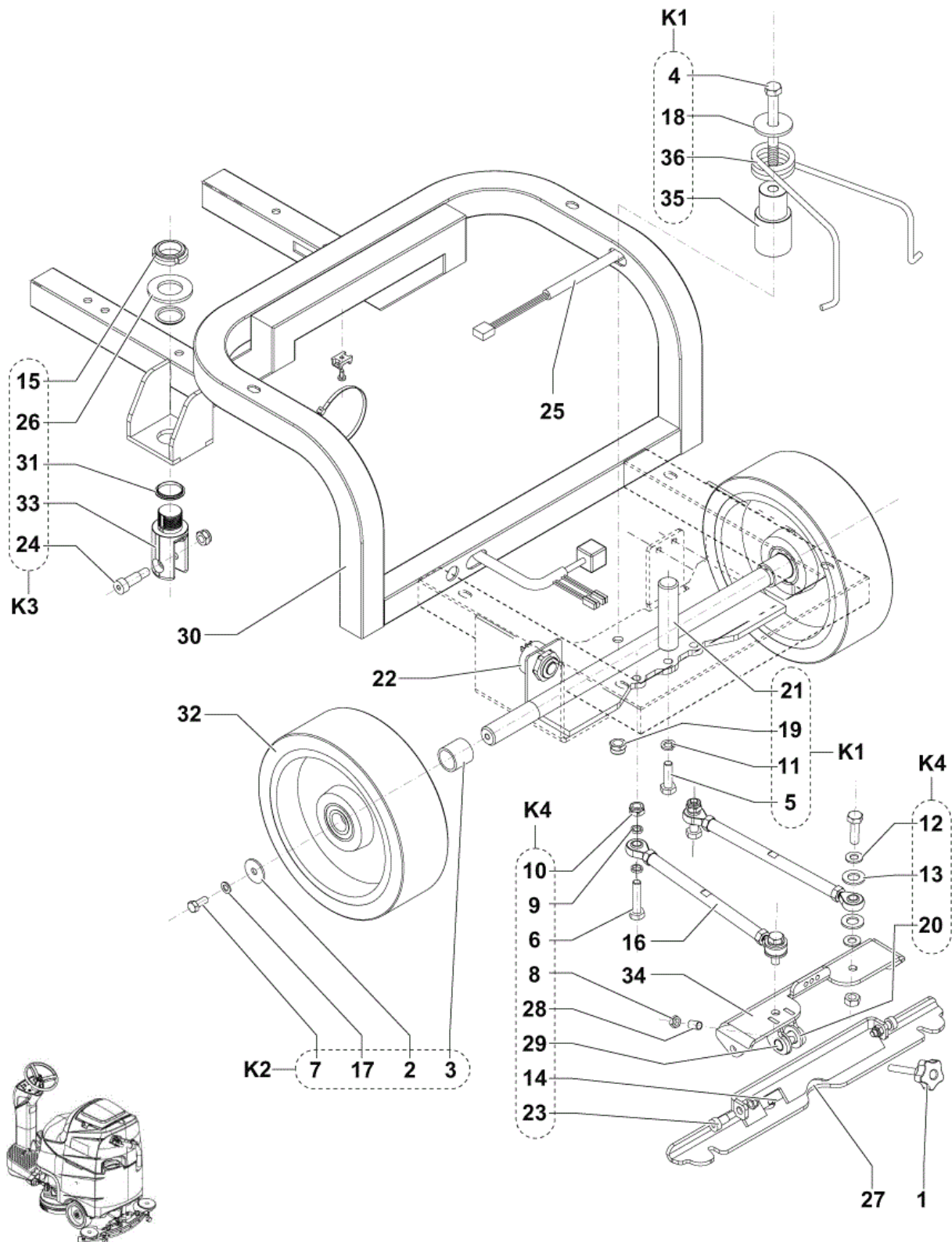
Only for SCRUBTEC R471C
STARTING FROM S/N 3510160702622 - SEE TSB-FC 2015-030
SEE INST. INSTR. 9100002613
- [9] - NOT SHOWN - Item 1-2-3-6-7-8-9-14 - SEE TSB IT 2011-076



Pos.	Artikel-Nr.	Menge	Variante	Notes
11	9100001734	1	SUPPORT BALL BEARING PHOS. PKD	
12	1467639000	1	BEARING TAPER ROLLER 32004X SIP	
15	9097807000	1	SPACER CROWN STEERING	
16A	9097809000	1	GEAR MAIN Z45	[1]
17	9100000074	1	ANTRIEBSRAD 300W 24V KOMPLETT	
18	9100002206	1	BRACKET STEERING GALV. KIT	[2]
19	9097841000	1	CROWN STEERING Z100	
20	9098165000	1	PROTECTION DRIVE WHEEL WIRING	
21	9098407000	1	Antriebsrad	
22	9100002614	1	HARNESS WHEEL MOTOR SIP	[3]
23	1467636000	1	BEARING TAPER ROLLER 32006 SIP	
24	9100002163	1	MOTOR ELECTRIC 300W 24V KIT	
25	9098627000	1	Kohlenbürste Kit	
30	9098626000	1	Bremse, Elektromagnetisch	
31	9098800000	1	OIL SEAL 15X32X7	[4]
K1	9098721000	1	BefestigungsKit	[5]

Part Notes:

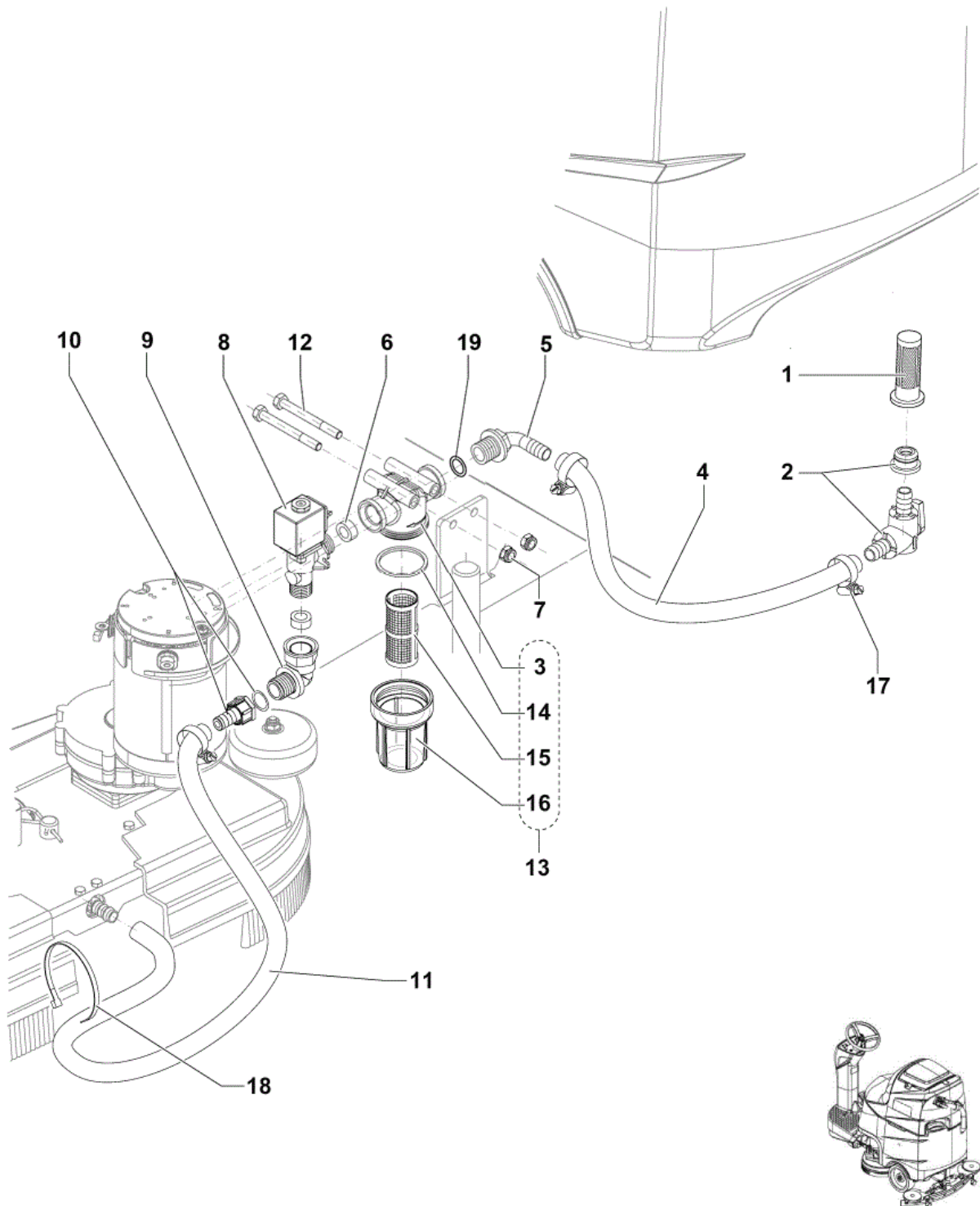
- [1] - Only for Scrubtec R466 - R471 - BOOST R4
- [2] - TSB-FC-2016-015 steering bracket BR652-SC3000
DE TSB-FC-2016-015 BR652 Scrubtec R4 Lenkungseinheit Halterung
- [3] - SEE INST. INSTR. 9100002613
- [4] - For MOTOR WHEEL 9097834000
- [5] - NOT SHOWN - Item 1-2-3-4-5-6-7-8-9-10-13-14-26-27-28-29



Pos.	Artikel-Nr.	Menge	Variante	Notes
1	9099136000	1	Handrad	
16	9100001090	2	ROD EYE M10 PKD	
22	909 6126 000	1	Warnton	
25	9098236000	1	HARNES REAR MACHINE	
27	9098390000	1	SUPPORT SQUEEGEE DOWN	
30	9097798000	1	CHASSIS	
32	9100000772	2	WHEEL D.254 80SH GREY PKD	
34	9097827000	1	SUPPORT SQUEEGEE UPPER	
K1	9098722000	1	CENTRING SQUEEGEE KIT	[1]
K2	9098723000	1	FIXING WHEELS KIT	[2]
K3	9098724000	1	BRACKET TURNING KIT	[3]
K4	9098725000	1	Befestigungskit	[4]

Part Notes:

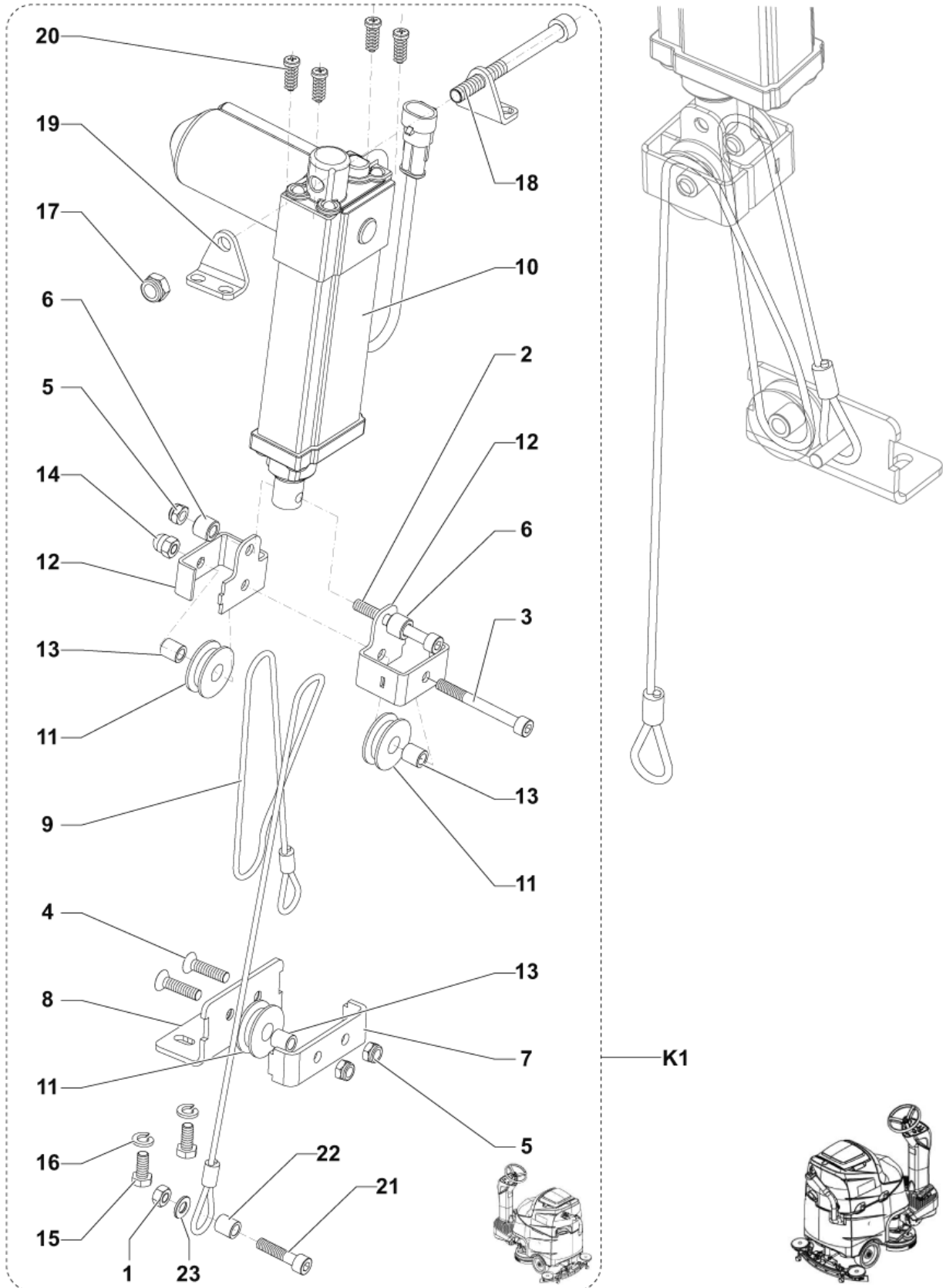
- [1] - Item 4-5-11-19-18-21-35-36
- [2] - Item 2-3-7-17
- [3] - Item 15-24-26-31-33 - Only for Scrubtec R466 - R471 - BOOST R4
- [4] - Item 6-8-9-10-12-13-14-20-23-28-29



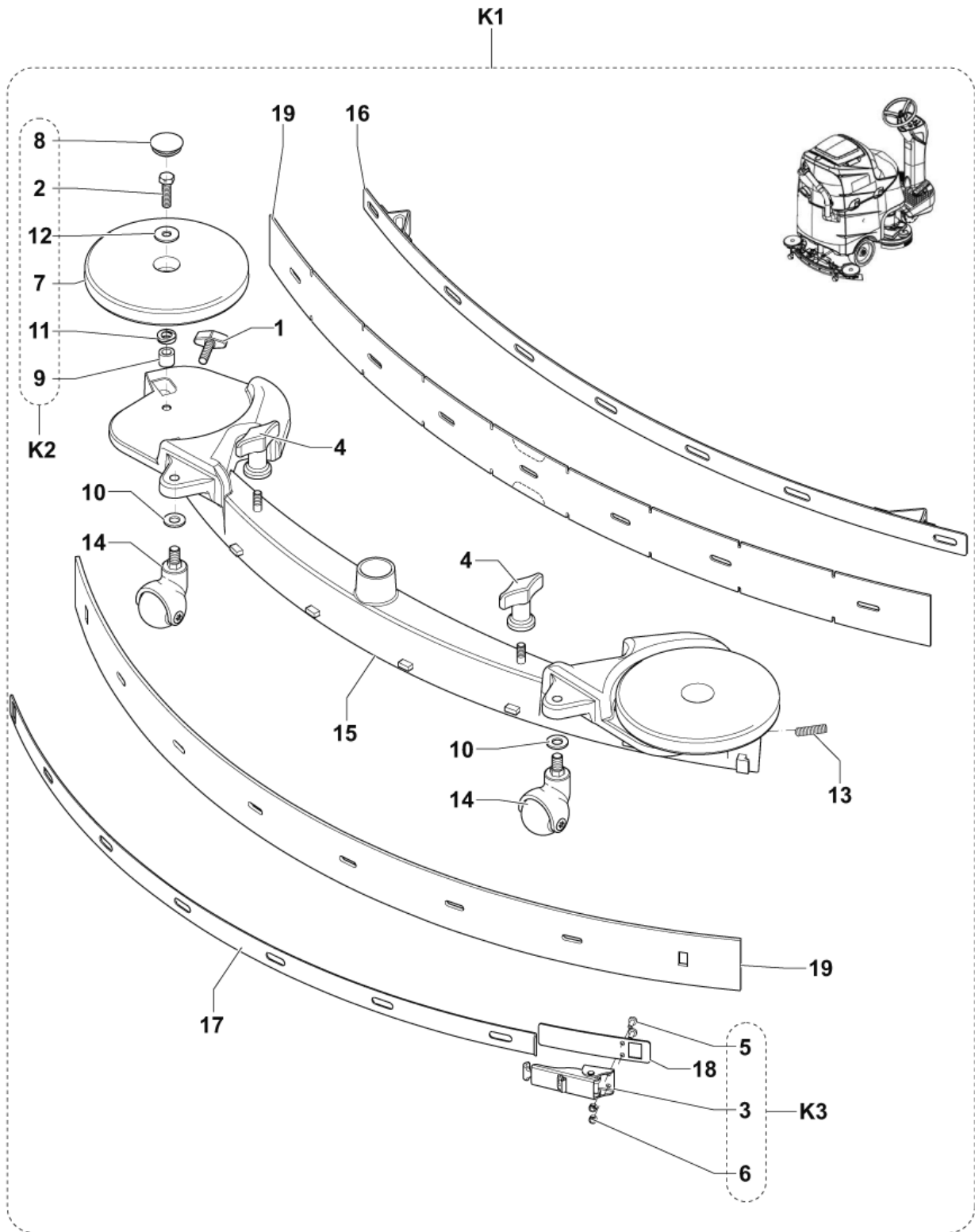
Pos.	Artikel-Nr.	Menge	Variante	Notes
1	9100001353	1	FILTER SOLUTION TANK PKD	[1]
2	9097626000	1	Winkelventilkit	
4	9098120000	1	HOSE PVC W/SPIRAL D.12X18 L.323MM SIP	
5	909 6087 000	1	Verbindung	
6	9100000622	3	GASKET RUBBER D.11.5X19X5 BLACK SIP	
8	909 6555 000	1	Magnetventil 24 V	
9	9100000894	1	Winkelstück M/F PKD	
10	9100002148	1	BARB HOSE STRAIGHT 1/2 D.13 PLAST. KIT	
11	9097821000	1	Schlauch D12 x 1020mm	
13	9098115000	1	Wasserfilter Kit	
14	9097943000	1	Dichtung für Wasserfilter	
15		1	FILTER NET SS 50 MESH FOR WATER	
16		1	COVER TRANSPARENT FOR WATER FILTER	
19	9100002332	1	O-RING 5X20 METRIC NBR 70SH 2PCS SET	
K1	9098726000	1	BefestigungsKit	[2]

Part Notes:

- [1] - Optional
- [2] - NOT SHOWN - Item 7-12-17-18



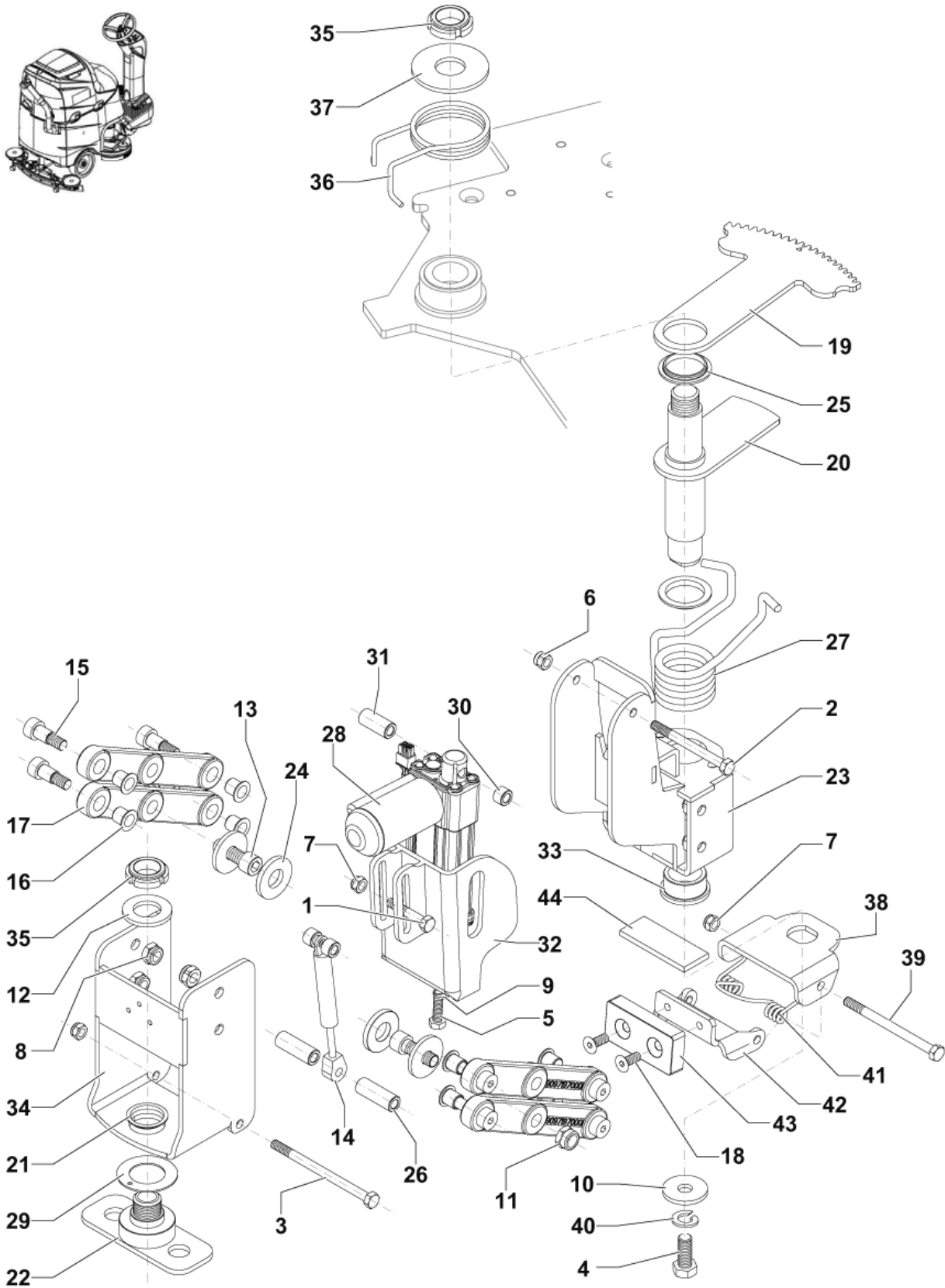
Pos.	Artikel-Nr.	Menge	Variante	Notes
9	9097933000	1	Seilzug f. Absaugleiste	
10	910000682	1	ACTUATOR LINEAR 24V DC STRK 100MM PKD	
11	9098248000	3	Umlenkrolle	
K1	9098708000	1	SQUEEGEE LIFTING KIT	



Pos.	Artikel-Nr.	Menge	Variante	Notes
1	9100000791	1	KNOB M8X30 THD STUD SS PKD	
4	9097637000	1	Befestigungskit BA 551	
13	909 6600 000	1	Schraube M8X30 UNI5929 SS	
14	9099163000	2	Lenkrolle D42	
15	9098379000	1	Gehäuse - Absaugleiste	
16	9098380000	1	Befestigungsleiste	
17	9098381000	1	STRAP SKIRT REAR RIGHT 35 INC.	
18	9098382000	1	Spannverschluss	
19	9099855000	1	Sauglippen-Set PU 890 mm	
19	9097804000	1	Sauglippen-Set 890 mm, 35"	[1]
K1	9098728000	1	Absaugleiste kpl. 890mm	
K2	909 6887 000	2	Abweisrollenkit	[2]
K3	909 6394 000	1	Verschluss BA 451	[3]

Part Notes:

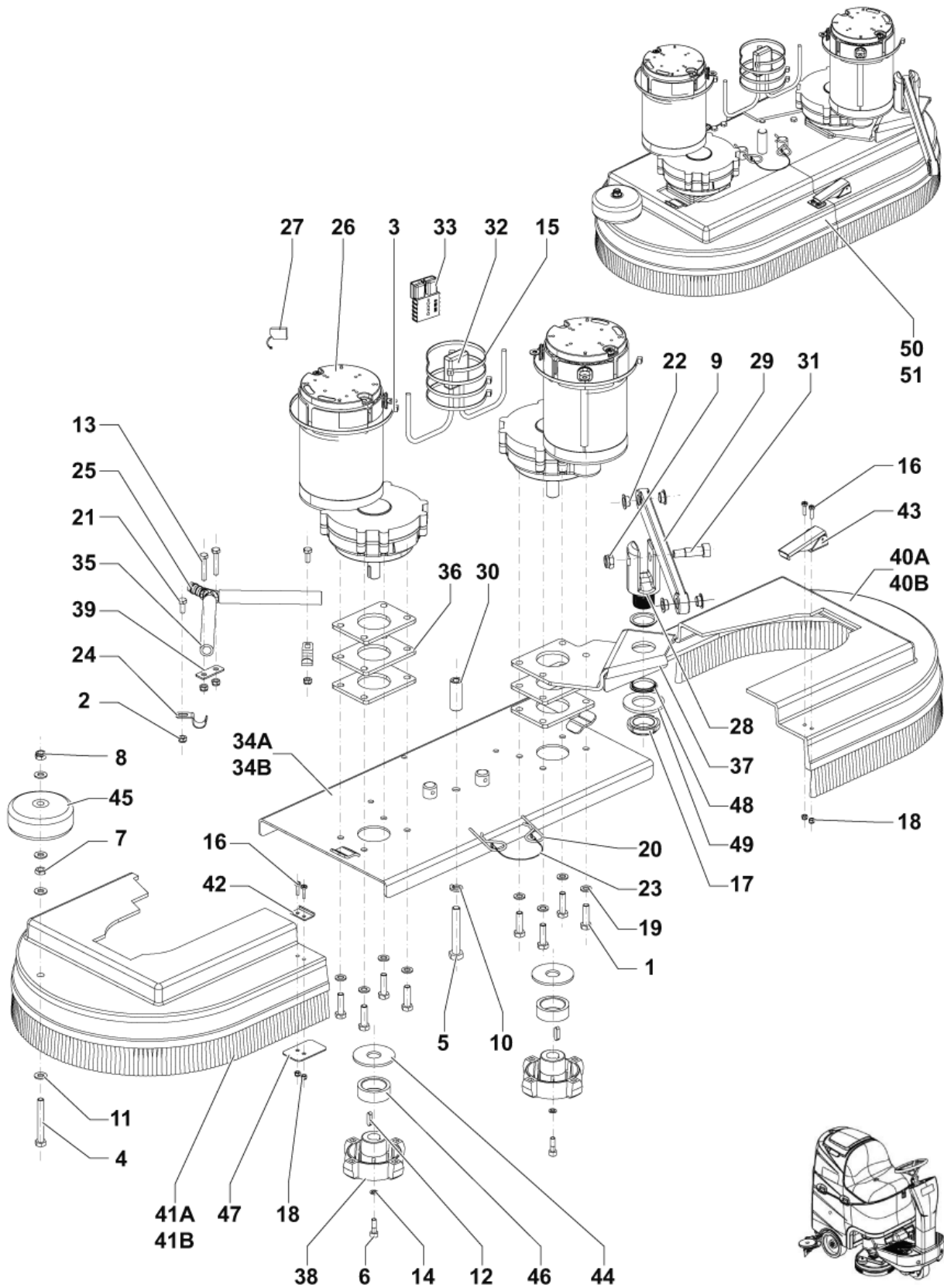
- [1] - Optional
 [2] - Item 2-7-8-9-11-12
 [3] - Item 3-5-6



Pos.	Artikel-Nr.	Menge	Variante	Notes
14	909 5637 000	1	Gasdruckfeder BA 410	
15	909 6520 000	8	SCREW 12X16 M10 ISO7379 12.9 GEOMET320A	
16	9097008000	8	BUSH FLANGED	
17	9097197000	4	LEVER	
19	9097810000	1	GEAR SLAVE	
20	9097811000	1	PIN DRIVEN CROWN	
21	910000902	1	BEARING FLANGE IGLIDUR 2 PCS SET	
22	9097819000	1	BRACKET ROTATING SUPPORT DECK	
23	9097822000	1	SUPPORT JACK	
24	9097824000	2	Buchse D.18.2X40	
25	9097835000	2	BUSH FLANGED D.35X39X47	
26	9097836000	2	SPACER D.8.5X15 H.42 GALV.	
27	9097850000	1	Federdämpfer Schrubbdeck	
28	910000681	1	ACTUATOR LINEAR 24V DC STRK 66MM PKD	
29	910000903	1	U-Scheibe GTM 3254-015 PKD	
30	9097938000	3	SPACER D. 8.5X15 H.10 GALV.	
31	9097939000	1	SPACER D. 8.5X15X33	
32	9098176000	1	BRACKET LOWER JACK MOTOR	
33	9098216000	1	BUSH FLANGED D.30X38X44	
34	9098220000	1	BRACKET SUPPORT DECK	
35	33005721	2	Ringmutter M25x1,5	
36	9097851000	1	Zentrierfeder	
37	9098239000	1	WASHER FLAT D.25.5X65X4	
38	9098195000	1	FLANGE UP DRAGGING	
41	9098197000	1	SPRING INSERTION DRAGGING	
42	9098196000	1	FLANGE DOWN DRAGGING	
43	9097813000	1	Führung	
44	9098857000	1	RUBBER ANTISHOCK	
K1	9098727000	1	HARDWARE BRUSH DECK SUPPORT KI	[1]

Part Notes:

[1] - NOT SHOWN - Item 1-2-3-4-5-6-7-8-9-10-11-12-13-18-39-40



Pos.	Artikel-Nr.	Menge	Variante	Notes
12	1466147000	2	KEY 5X5X20 UNI6604A PKD	[1]
12	1466146000	2	KEY 5X5X25 UNI6604A PKD	[2]
25	909 6164 000	1	BARB HOSE Y D.13 PLAST.	
26	9100001660	2	REDUCTION GEARMOTOR UPGRADE KIT	[3]
26	9100001657	2	REDUCTION GEARMOTOR 400W 24V KIT	[4]
27	L08603949	2	Kohlenbürsten Kit 4pcs	
27	9100000421	2	CARBON BRUSHES W/HOLDER KIT	[5]
27	909 5380 000	2	Kohlebürste Kit	[6]
28	9098724000	1	BRACKET TURNING KIT	
29	9097853000	1	ARM SIDE	
32	9098374000	1	Kabelbaum für Bürstendeck	
33	9100002248	1	CONNECTOR 50A RED SIP	
34A	9098432000	1	PLATE SUPPORT F BRUSH DECK	[7]
34B	9098438000	1	PLATE SUPPORT F BRUSH DECK	[8]
35	9098433000	2	HOSE PVC W/SPIRAL D.12X18 L.140MM SIP	
36	9100001658	5	PLATE SPACER GALV. F GEARMOTOR SIP	
37	9100001659	1	SUPPORT GALV. F SIDE ARM SIP	
38	9098436000	2	HUB BRUSH	
40A	30661A	1	Bürstenabdeckung links	[7]
40B	30574A	1	Bürstegehäuse links Scr	[9]
41A	30662A	1	Bürstenabdeckung rechts	[7]
41B	30575A	1	Bürstenabdeckung, rechts	[9]
43	56115427	1	LATCH ASSEMBLY	
45	59950A	1	Rad, kpl., Antrieb	
47	69186A	1	Lasche, Verriegelung,	
50	9099170000	1	DECK BRUSH KIT CLARKE 26	
51	9099171000	1	DECK BRUSH KIT CLARKE 28	
K1	9099174000	1	HARDWARE BRUSH DECK KIT	[10]

Part Notes:

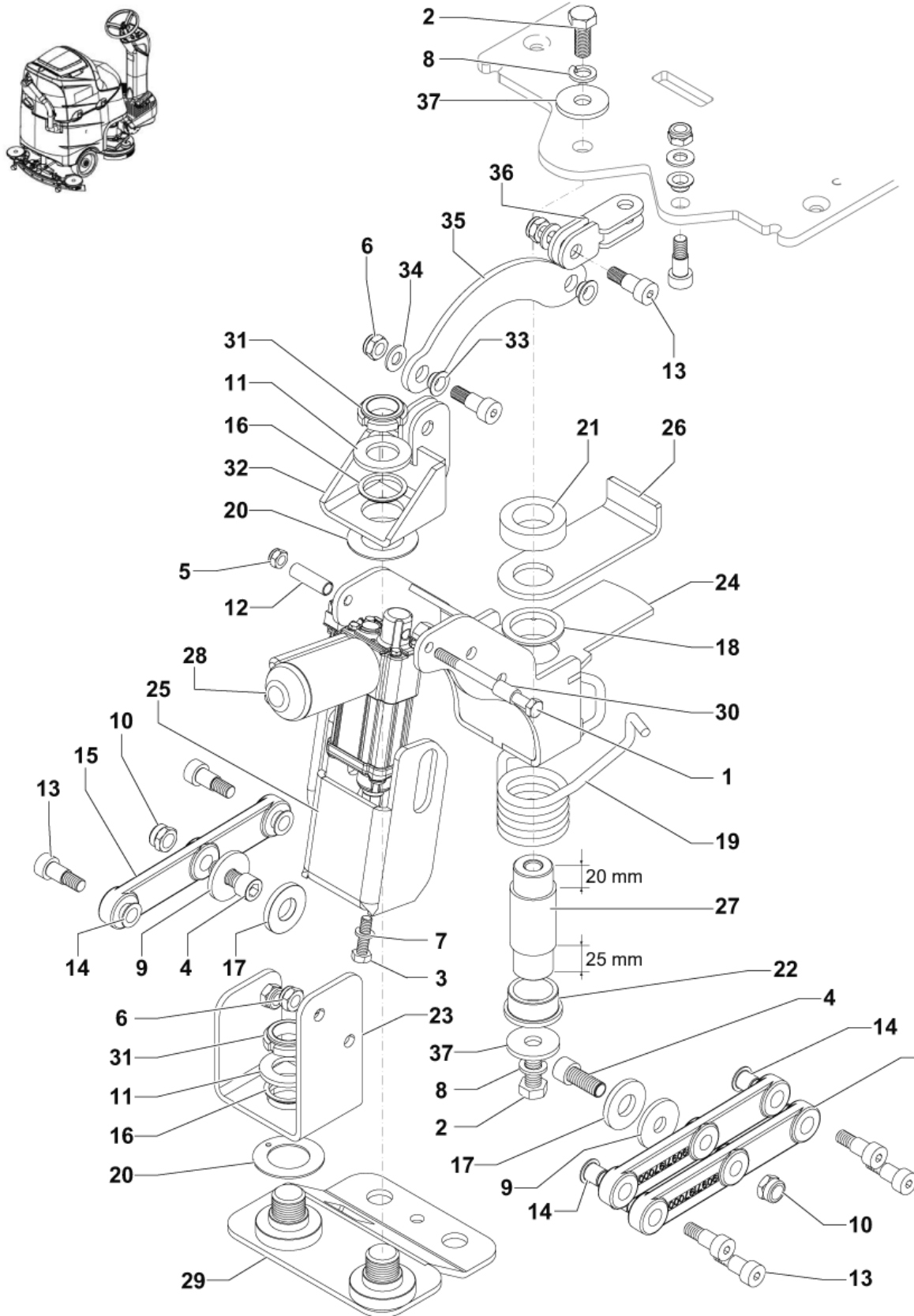
- [1] - FOR REF 9097638000 9100000309 (LEROY SOMER)
 [2] - FOR REF 9100001657 (AMER)
 [3] - SEE TSB-FC-2015-034

Before SN 3510160909076
 SEE INST. INSTR. 9100001665

- [4] - SEE TSB-FC-2015-034

After SN 3510160909077

- [5] - ALTERNATIVE MOTOR 9100001279 COMPLETE
 FOR MOTOR 9100000309 (LEROY SOMER)
 [6] - GUARANTEE DATE EXPIRED
 FOR OLD MOTOR 9097638000 (LEROY SOMER)
 [7] - Only for Scrubtec R466
 [8] - Only for Scrubtec R471
 STÖCK COVERS GUARANTEE
 [9] - Only for Scrubtec R471
 [10] - NOT SHOWN - Item 1-2-3-4-5-6-7-8-9-10-11-12-13-14-15-16-17-18-19-20-21-22-23-24-30-31-39-42-44-46-48-49

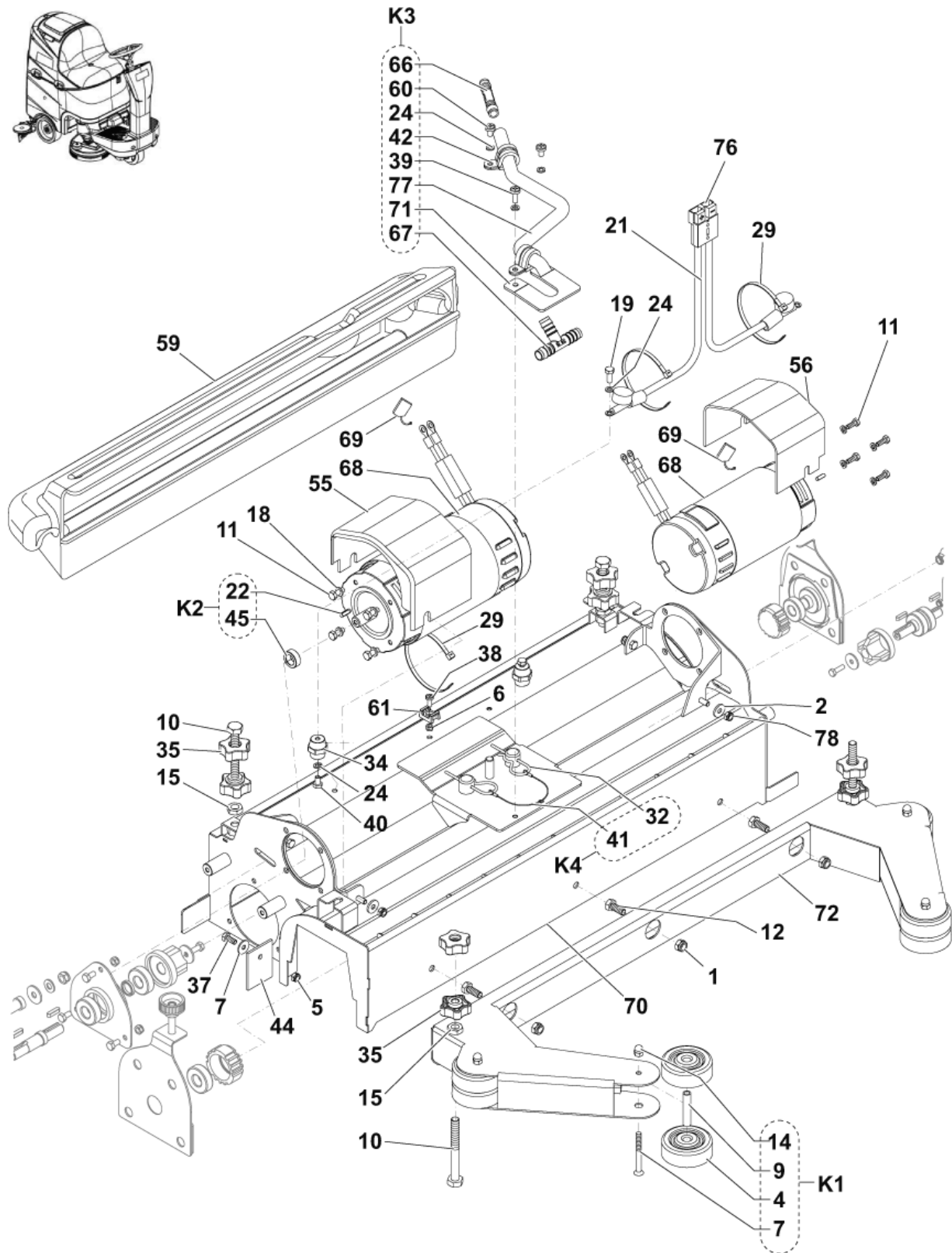


Pos.	Artikel-Nr.	Menge	Variante	Notes
12	9097920000	1	SPACER D. 8.5X15X38	[1]
14	9097008000	6	BUSH FLANGED	
15	9097197000	3	LEVER	
16	9100000902	2	BEARING FLANGE IGLIDUR 2 PCS SET	
17	9097824000	2	Buchse D.18.2X40	
18	9097835000	1	BUSH FLANGED D.35X39X47	
19	9097850000	1	Federdämpfer Schrubbdeck	
20	9100000903	2	U-Scheibe GTM 3254-015 PKD	
21	9098121000	1	SPACER D.31X50X14.5 NYLON	[2]
22	9098216000	1	BUSH FLANGED D.30X38X44	
23	9098409000	1	BRACKET SUPPORT CYL.DECK	[1]
24	9098410000	1	SUPPORT JACK CYL.DECK	[2]
25	9098411000	1	BRACKET LOWER JACK MOTOR CYL.D	[3]
26	9098415000	1	PLATE SPRING SUPPORT	[1]
27	9098416000	1	PIN SUPPORT JACK MOTOR CYL.DEC	[3]
28	9100000683	1	ACTUATOR LINEAR 24V DC STRK 46MM PKD	[4]
29	9098418000	1	BRACKET ROTATING SUPPORT CYL.D	[1]
30	145 2381 000	1	Lagerfutter	[1]
31	33005721	2	Ringmutter M25x1,5	
32	9098420000	1	SUPPORT ROTATING CYL.DECK	[1]
33	146 0549 000	3	Büchse	
35	9098419000	1	ARM SIDE CYLINDRICAL DECK	[1]
36	9098421000	1	ARTICULATED JOINT FOR CYL DECK	[1]
K1	9098733000	1	HARDWARE CYL.BRUSH DECK SUPPOR	[5]

Part Notes:

- [1] - STOCK COVERS GUARANTEE
only for R471 CYL
- [2] - NO LONGER AVAILABLE
only for R471 CYL
- [3] - GUARANTEE DATE EXPIRED
only for R471 CYL
- [4] - only for R471 CYL
- [5] - STOCK COVERS GUARANTEE

NOT SHOWN - Item 1-2-3-4-5-6-7-8-9-10-11-13-34-37
only for R471 CYL

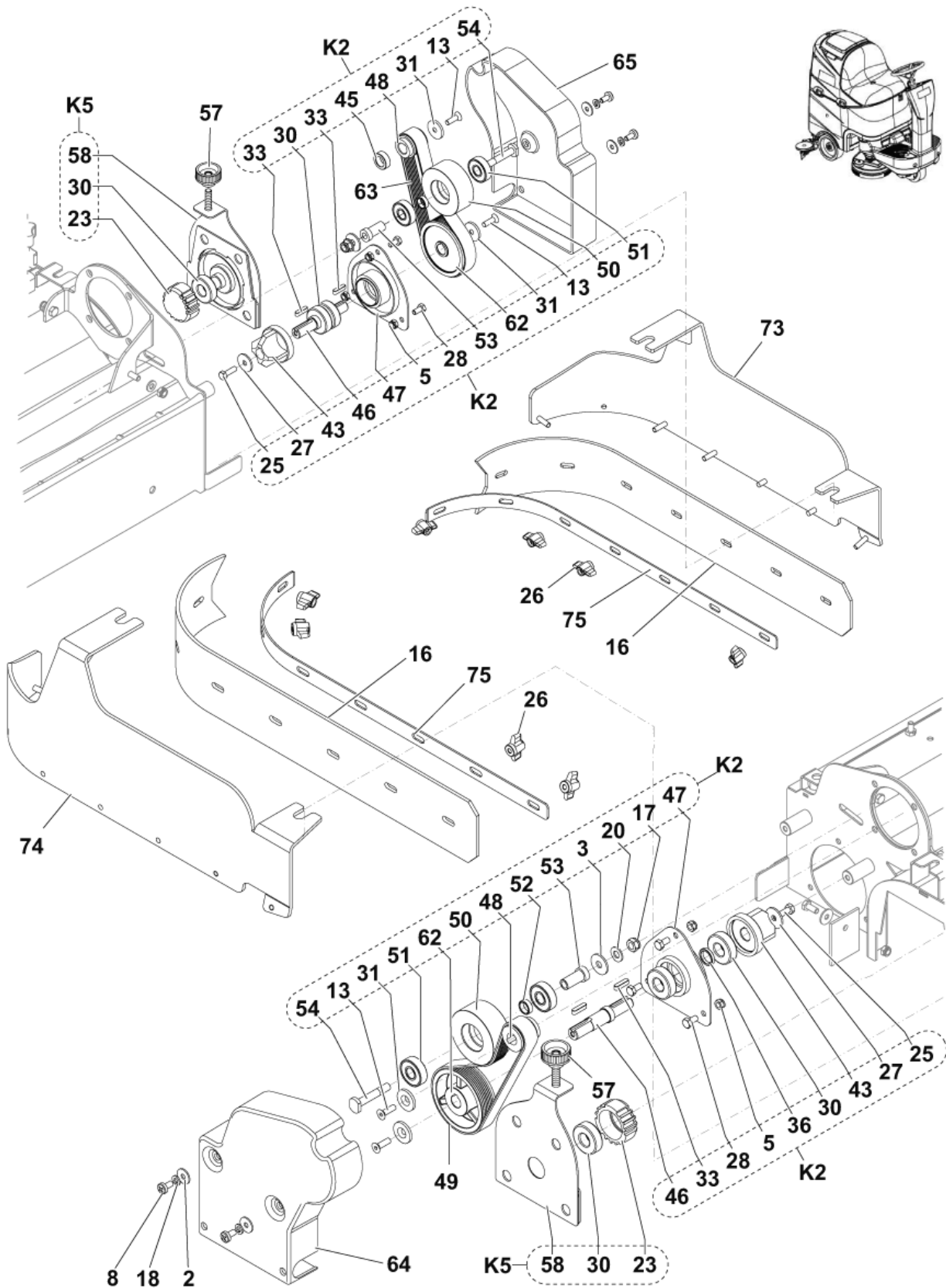


Pos.	Artikel-Nr.	Menge	Variante	Notes
16	9097960000	2	SKIRT SIDE CYL.DECK	[1]
21	9098658000	1	HARNESS CYL.DECK	[2]
23	56115273	2	Abdeckung Lager	
26	909 6356 000	2	Flügelmutter Kit	
30	145 2361 000	6	Kugellager 6202-2RS1	
34	146 0708 000	2	Isolator weiß M6	
35	1467036000	8	KNOB LOBES M10 FEMALE PKD	
43	909 5728 000	2	Bürstenaufnahme	
44	909 5752 000	2	Deckgummi BA 750 SC	
48	909 5758 000	2	Ritzel	
49	909 5761 000	1	Rillenriemen 11J04838BA 600SC	
50	909 5762 000	2	ROLLER BELT TENSIONER	
51	9100002018	4	BEARING BALL 6201 2RS1 SIP	
55	909 5802 000	1	Motorabdeckung BR 751	
56	909 5803 000	1	Motorschutzgehäuse	
57	909 5964 000	2	Stellschraube	
59	909 6225 000	1	Grobschmutzbehälter BR751	
61	909 6595 000	1	Befestigungsset BR 611	
62	909 6730 000	2	PULLEY POLY-V	
63	909 6731 000	1	Riemen Poly-V BR 601	
64	909 6785 000	1	CRANKCASE.BELT PROTECTIONRIGHT	
65	909 6786 000	1	CRANKCASE.BELT PROTECTIONLEFT	
68	9099858000	2	MOTOR ELECTRIC 600W 24V KIT	
69	L08603949	2	Kohlenbürsten Kit 4pcs	
70	9097847000	1	FRAME CYLINDRICAL DECK 750	[1]
72	9097936000	1	PROTECTION CYL.BRUSH DECK 750	[2]
73	9097952000	1	SUPPORT CYL.DECK LEFT SIDE SKIRT	[3]
74	9097956000	1	SUPPORT CYL.DECK RIGHT SIDE SKIRT	[2]
75	9097959000	2	PLATE SIDE SKIRT CYL.DECK	[2]
76	9100002248	1	CONNECTOR 50A RED SIP	
K1	9098736000	4	ROLLER BUMPER KIT	[4]
K2	9098734000	2	Getriebe Kompl. Walze	[5]
K3	9098735000	1	PIPE WATER KIT	[6]
K4	909 6354 000	1	Kabel mit 2 Splint	[7]
K5	9098737000	2	Walzenbürste Halter Kit	[8]
K6	9098738000	1	Befestigungskit	[9]

Part Notes:

- [1] - only for R471 CYL
- [2] - STOCK COVERS GUARANTEE
only for R471 CYL
- [3] - GUARANTEE DATE EXPIRED
only for R471 CYL
- [4] - Item 4-7-9-14
STOCK COVERS GUARANTEE
only for R471 CYL
- [5] - Item 3-5-13-17-22-25-27-28-30-31-33-36-43-45-46-47-48-50-51-52-53-54-62
only for R471 CYL
- [6] - Item 20-39-42-60-66-67-71-77
only for R471 CYL
- [7] - Item 32-41
- [8] - Item 23-30-58
only for R471 CYL
- [9] - STOCK COVERS GUARANTEE

NOT SHOWN - Item 1-2-6-8-10-11-12-15-18-19-24-29-37-38-40-78
only for R471 CYL

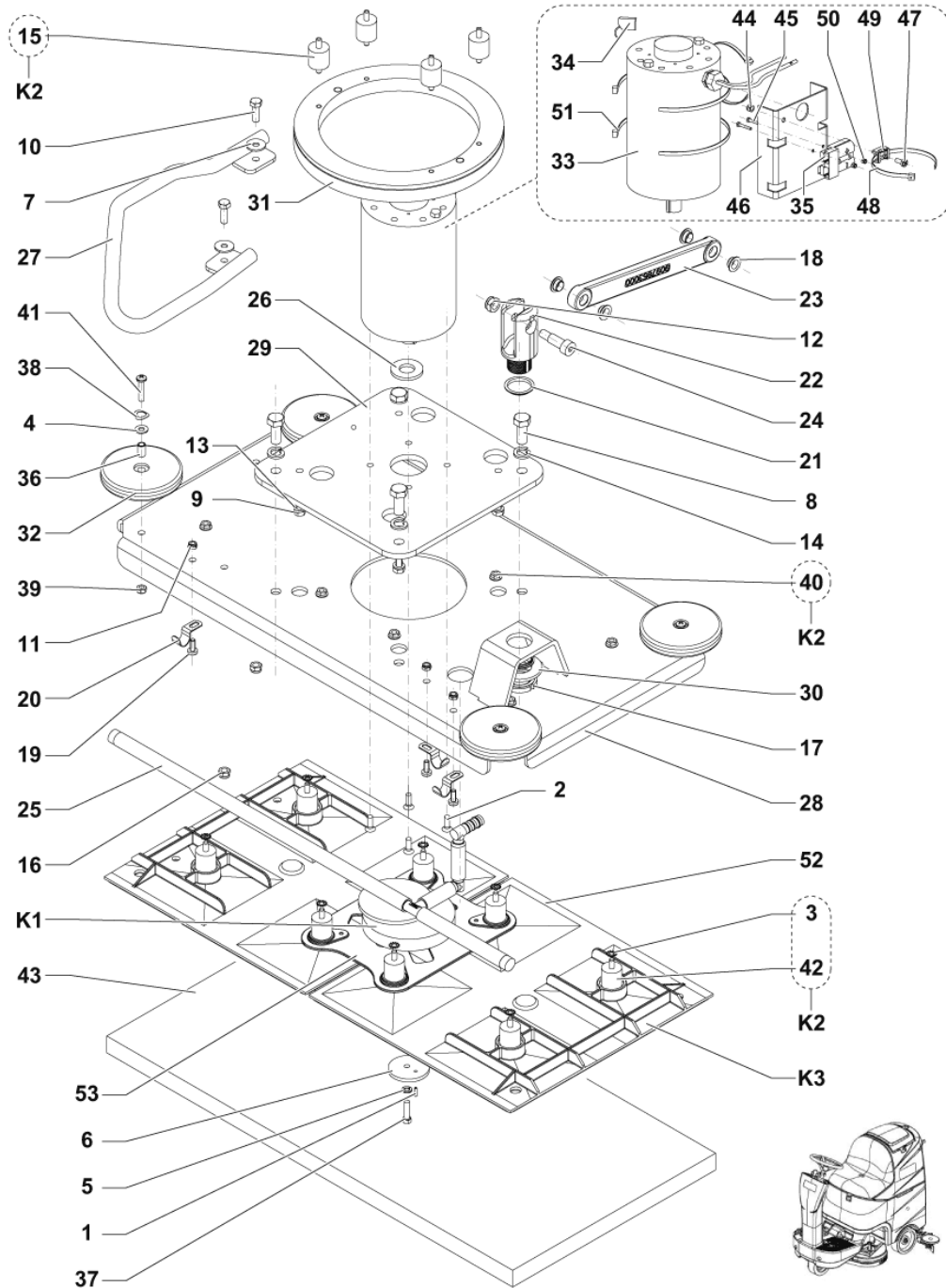


Pos.	Artikel-Nr.	Menge	Variante	Notes
16	9097960000	2	SKIRT SIDE CYL.DECK	[1]
21	9098658000	1	HARNESS CYL.DECK	[2]
23	56115273	2	Abdeckung Lager	
26	909 6356 000	2	Flügelmutter Kit	
30	145 2361 000	6	Kugellager 6202-2RS1	
34	146 0708 000	2	Isolator weiß M6	
35	1467036000	8	KNOB LOBES M10 FEMALE PKD	
43	909 5728 000	2	Bürstenaufnahme	
44	909 5752 000	2	Deckgummi BA 750 SC	
48	909 5758 000	2	Ritzel	
49	909 5761 000	1	Rillenriemen 11J04838BA 600SC	
50	909 5762 000	2	ROLLER BELT TENSIONER	
51	9100002018	4	BEARING BALL 6201 2RS1 SIP	
55	909 5802 000	1	Motorabdeckung BR 751	
56	909 5803 000	1	Motorschutzgehäuse	
57	909 5964 000	2	Stellschraube	
59	909 6225 000	1	Grobschmutzbehälter BR751	
61	909 6595 000	1	Befestigungsset BR 611	
62	909 6730 000	2	PULLEY POLY-V	
63	909 6731 000	1	Riemen Poly-V BR 601	
64	909 6785 000	1	CRANKCASE.BELT PROTECTIONRIGHT	
65	909 6786 000	1	CRANKCASE.BELT PROTECTIONLEFT	
68	9099858000	2	MOTOR ELECTRIC 600W 24V KIT	
69	L08603949	2	Kohlenbürsten Kit 4pcs	
70	9097847000	1	FRAME CYLINDRICAL DECK 750	[1]
72	9097936000	1	PROTECTION CYL.BRUSH DECK 750	[2]
73	9097952000	1	SUPPORT CYL.DECK LEFT SIDE SKIRT	[3]
74	9097956000	1	SUPPORT CYL.DECK RIGHT SIDE SKIRT	[2]
75	9097959000	2	PLATE SIDE SKIRT CYL.DECK	[2]
76	9100002248	1	CONNECTOR 50A RED SIP	
K1	9098736000	4	ROLLER BUMPER KIT	[4]
K2	9098734000	2	Getriebe Kompl. Walze	[5]
K3	9098735000	1	PIPE WATER KIT	[6]
K4	909 6354 000	1	Kabel mit 2 Splint	[7]
K5	9098737000	2	Walzenbürste Halter Kit	[8]
K6	9098738000	1	Befestigungskit	[9]

Part Notes:

- [1] - only for R471 CYL
- [2] - STOCK COVERS GUARANTEE
only for R471 CYL
- [3] - GUARANTEE DATE EXPIRED
only for R471 CYL
- [4] - Item 4-7-9-14
STOCK COVERS GUARANTEE
only for R471 CYL
- [5] - Item 3-5-13-17-22-25-27-28-30-31-33-36-43-45-46-47-48-50-51-52-53-54-62
only for R471 CYL
- [6] - Item 20-39-42-60-66-67-71-77
only for R471 CYL
- [7] - Item 32-41
- [8] - Item 23-30-58
only for R471 CYL
- [9] - STOCK COVERS GUARANTEE

NOT SHOWN - Item 1-2-6-8-10-11-12-15-18-19-24-29-37-38-40-78
only for R471 CYL

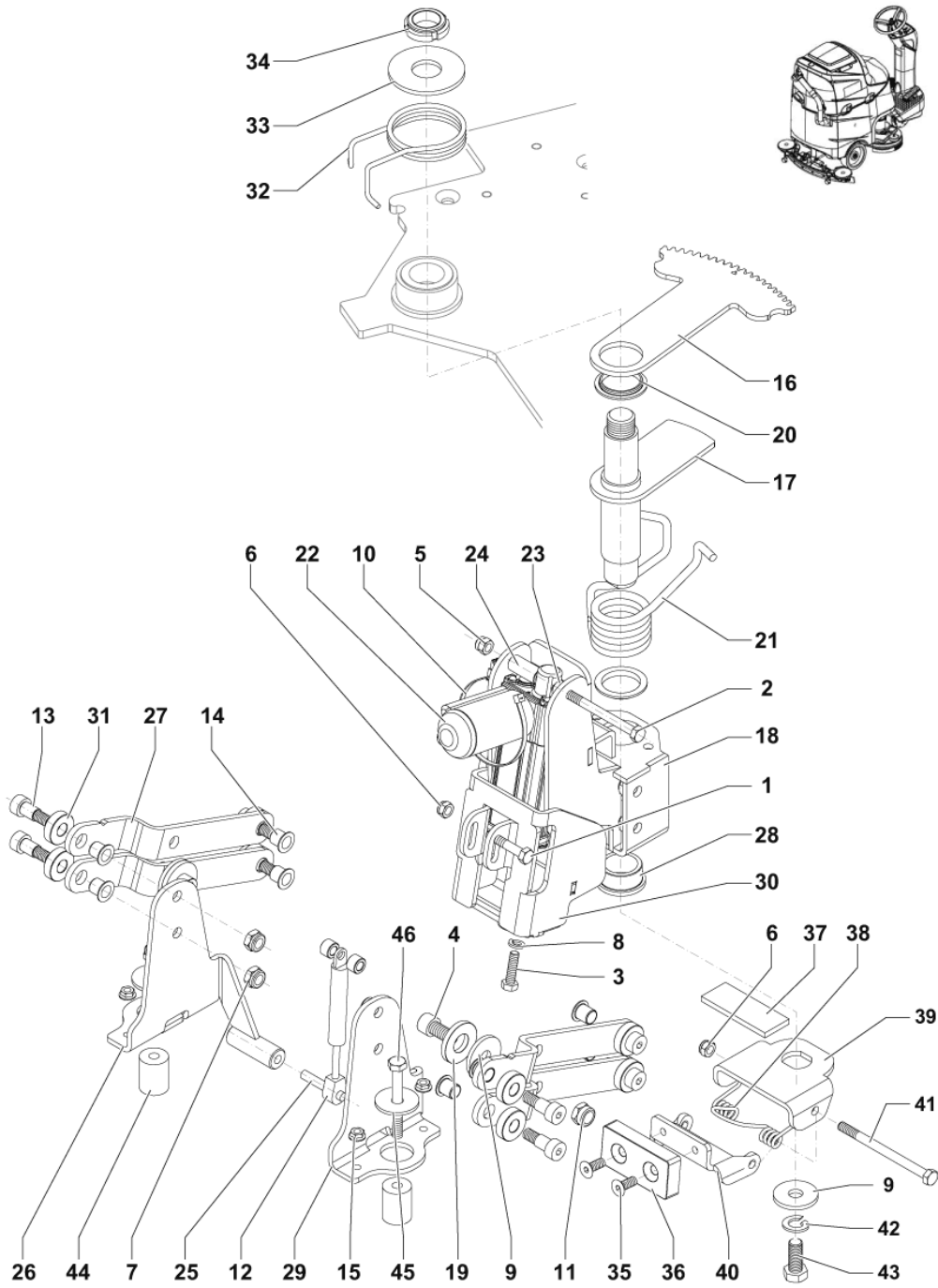


Resource notes:
K4 - NOT SHOWN

Pos.	Artikel-Nr.	Menge	Variante	Notes
22	9098724000	1	BRACKET TURNING KIT	
23	9097853000	1	ARM SIDE	
25	9099308000	1	PIPE WATER BOOST DECK KIT	
27	9098243000	1	PROTECTION BRUSH DECK 750	
28	9098246000	1	PLATE SUPPORT BOOST DECK	
29	9098247000	1	SUPPORT BOOST DECK MOTOR	[1]
31	9099411000	1	WASHER THRUST ASSEMBLED SIP	
32	9100001816	2	WHEEL BUMPER D.100 PLASTIC 2 PCS SET	
33	9100001237	1	MOTOR ELECTRIC 350W 24V REWORKED KIT	[2]
33	9100001860	1	MOTOR ELECTRIC 350W 24V SIP	[3]
33	9100001938	1	HARNESS ELECTRIC MOTOR SIP	[4]
34	56412287	1	Kohlenbürstenset m. Federkompl. BA 755/8	[5]
34	9100001283	4	CARBON BRUSHES W/HOLDER SIP	[6]
34	L08603949	1	Kohlenbürsten Kit 4pcs	[6]
35	9100002248	1	CONNECTOR 50A RED SIP	
43	997001	1	Pad 14", Ø 355 mm, rot, VPE 5	
46	9099119000	1	PLATE BOOST DECK HARNESS FIXING	[7]
46	9100001239	1	PLATE BOOST DECK HARNESS FIXING SIP	[8]
52	56383375	2	FLEX PLATE ASSY 28	
53	56381491	1	PLATE DRIVER	
K1	56380246	1	Exzentrerscheibe	
K2	56382991	1	KIT-ISOLATOR BOOST HD	[9]
K3	56383369	1	KIT-FLEXPLATE-BOOST 28 HD	[10]
K4	9099173000	1	HARDWARE BOOST DECK KIT	[11]

Part Notes:

- [1] - STOCK COVERS GUARANTEE
- [2] - UNTIL S/N 3510163600964 - TSB-FC-2016-009
- [3] - For the ref 9100001237 - starting S/N 3510163600965
- [4] - STOCK COVERS GUARANTEE
For the ref 9100001237 - starting S/N 3510163600965
- [5] - joined ONLY to the motor "Scott Motors co.",(black), code 56390072
- [6] - for AMER motor - 9100001237
- [7] - GUARANTEE DATE EXPIRED
Valid until machines SN 3510152500697
joined ONLY to the motor "Scott Motors co.",(black), code 56390072
- [8] - Valid after machines SN 3510152500697
for motor Amer (grey), 9100001282
- [9] - Item 3-15-40-42
- [10] - Item K1-K2
- [11] - Item 1-2-4-5-6-7-8-9-10-11-12-13-14-16-17-18-19-20-21-22-24-26-30-36-37-38-39-41-44-45-47-48-49-50-5

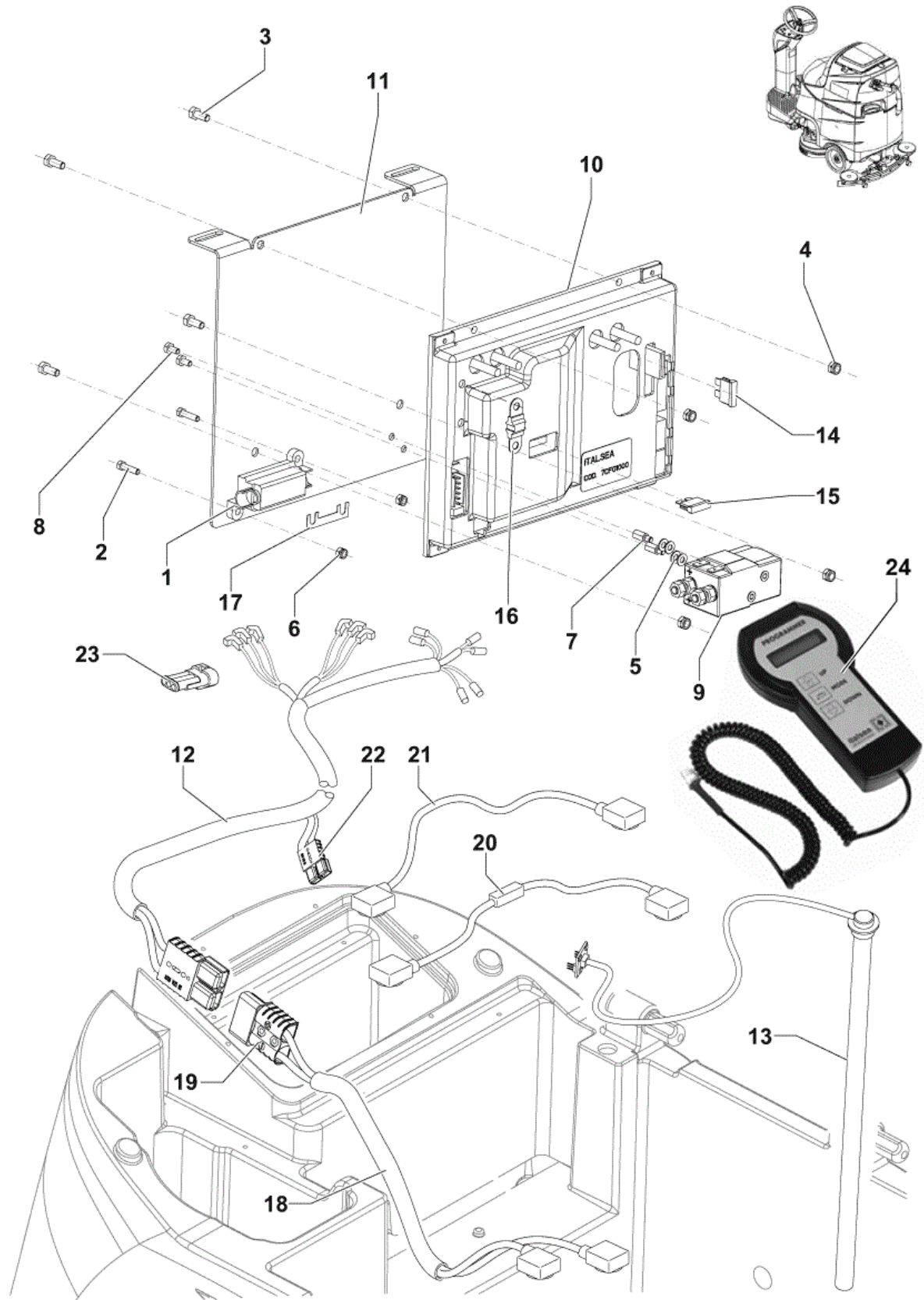


Resource notes:
K1 - NOT SHOWN

Pos.	Artikel-Nr.	Menge	Variante	Notes
12	909 5637 000	1	Gasdruckfeder BA 410	
16	9097810000	1	GEAR SLAVE	
17	9097811000	1	PIN DRIVEN CROWN	
18	9097822000	1	SUPPORT JACK	
21	9097850000	1	Federdämpfer Schrubbdeck	
22	9100000681	1	ACTUATOR LINEAR 24V DC STRK 66MM PKD	
26	9098096000	1	PLATE LEFT BOOST DECK	
27	9098098000	4	ARM BOOST DECK	
29	9098228000	1	PLATE RIGHT BOOST DECK	
30	9098240000	1	BRACKET LOWER JACK MOTOR	
32	9097851000	1	Zentrierfeder	
36	9097813000	1	Führung	
39	9098195000	1	FLANGE UP DRAGGING	
40	9098196000	1	FLANGE DOWN DRAGGING	
44	9098178000	2	SPACER D.10.5X20 H.32 SS	
K1	9099172000	1	HARDWARE DECK SUPP. BOOST KIT	[1]

Part Notes:

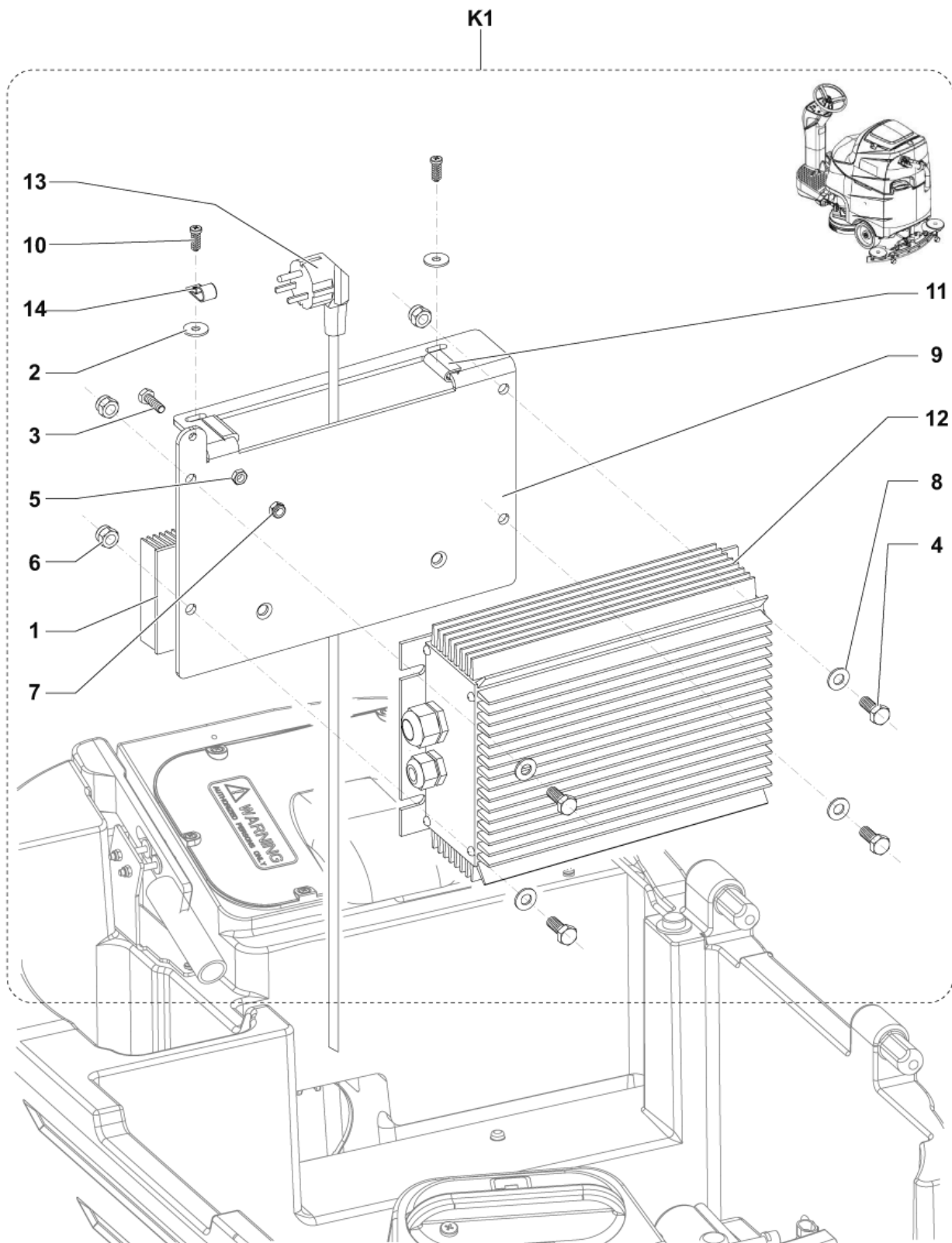
[1] - Item 1-2-3-4-5-6-7-8-9-10-11-13-14-15-19-20-23-24-25-28-31-33-34-35-37-38-41-42-43-45-46



Pos.	Artikel-Nr.	Menge	Variante	Notes
1	145 8046 000	1	SicherungshalterG11-05000	
8	9097208000	1	Relais	
10	9100000024	1	CARD ELECTRONIC TRACTION KIT	[1]
10	9100000183	1	CARD ELECTRONIC TRACTION/FUNCTIONS KIT	[2]
11	9097860000	1	PLATE FIXING ELECTRONIC CARD	
12	9098190000	1	HARNESS EL.COMPON.BOX	[3]
12	9099681000	1	Kabelbaum	[4]
13	9100002989	1	SOLUTION LEVEL SENSOR KIT	[5]
13	9100001447	1	SENSOR PRESSURE KIT	
14	9100000878	1	FUSE BLADE 3A PKD	
15	145 9853 000	1	Sicherung 15A	
16	9100000877	1	FUSE MIDIFUSE 100A PKD	
17	145 9854 000	1	Sicherung 50A	
18	9100002271	1	HARNESS BATTERY KIT	
19	9100002117	2	Stecker Batterie 120A PKD	
20	9098526000	1	Bastteriekabel	
21	9097590000	1	Batterieverbindungskabel	
22	9100002248	1	CONNECTOR 50A RED SIP	
23	9099203000	1	CONNECTOR 3 WAYS WITH BRIDGE	
24	1466207000	1	PROGRAMMER F ELECTRONIC CARDS PKD	[6]
K1	9098739000	1	HARDWARE ELECTRIC COMPONENTS KIT	[7]

Part Notes:

- [1] - SEE TSB-FC-2013-117
STARTING FROM S/N 3510133204431
SEE INST. INSTR. 9100000100
- [2] - Only to mach with 9097834000 (Drive Wheel) - Until S/N 3510133204430
- [3] - UNTIL S/N 3510122204473 - See TSB IT 2012-087
- [4] - STARTING FROM S/N 3510122204474 - See TSB IT 2012-087
- [5] - TSB-FC-2019-002 New Capacitive Water Level Sensor BR652-SC3000
INSTALLATION INSTRUCTION FOR 9100002989 KIT
- [6] - SERVICE TOOL
- [7] - NOT SHOWN - Item 2-3-4-5-6-7-8



BATTERY CHARGER

SCRUBTEC R 471

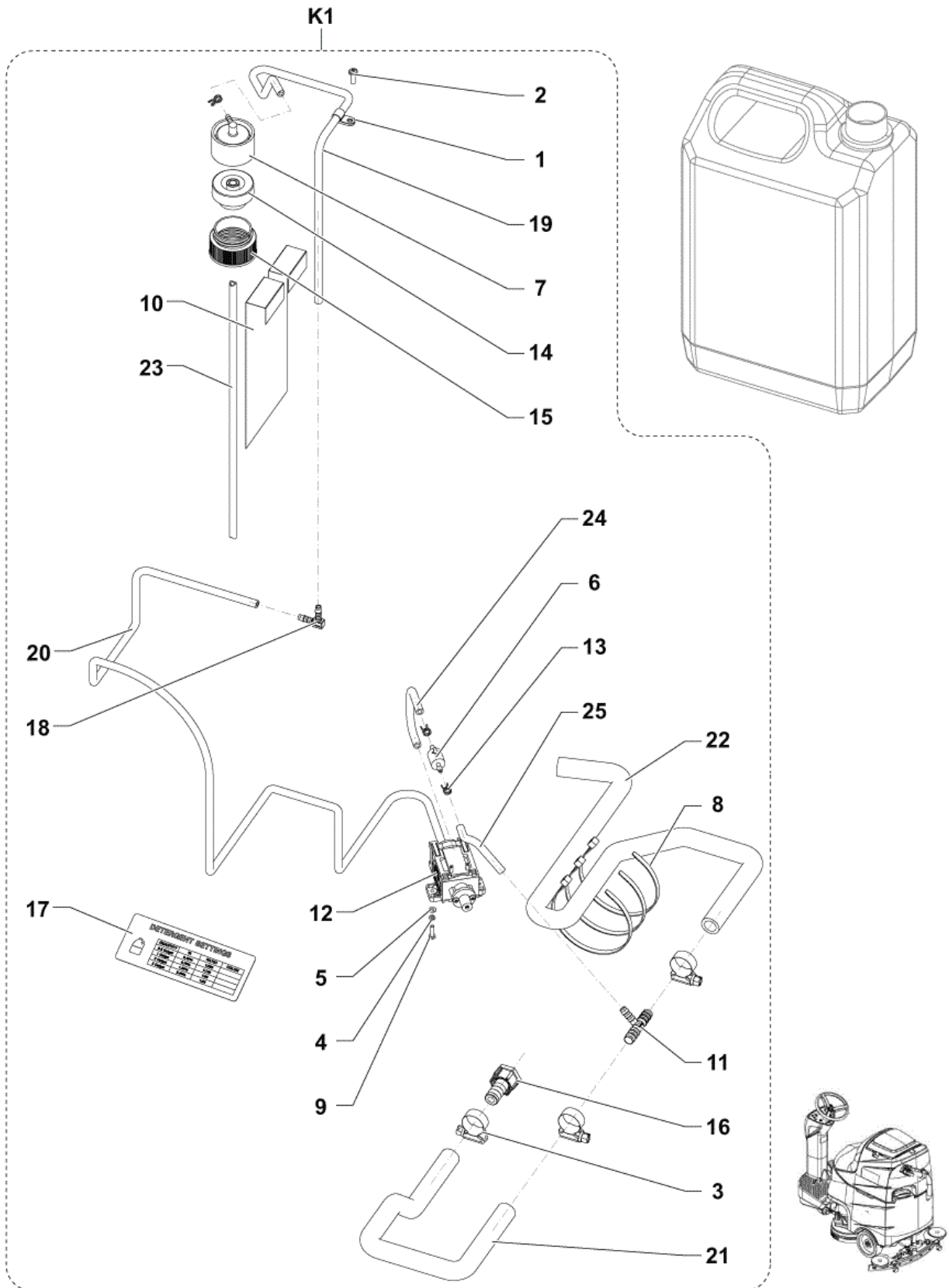
2017.11.02

2019.09.20

Pos.	Artikel-Nr.	Menge	Variante	Notes
K1	9098198000	1	Einbauladegerät-Set 24V-20A 230V	
1	9098859000	1	HEATSINK	
9	9100000661	1	PLATE BATTERY CHARGER PKD	
12	9099680000	1	Einbauladegerät 24V-20A 230V	[1]
13	1466318000	1	CABLE EXTENSION UK PLUG L.2000MM SIP	
13	9100000787	1	CABLE EXTENSION EU PLUG L.2000 PKD	

Part Notes:

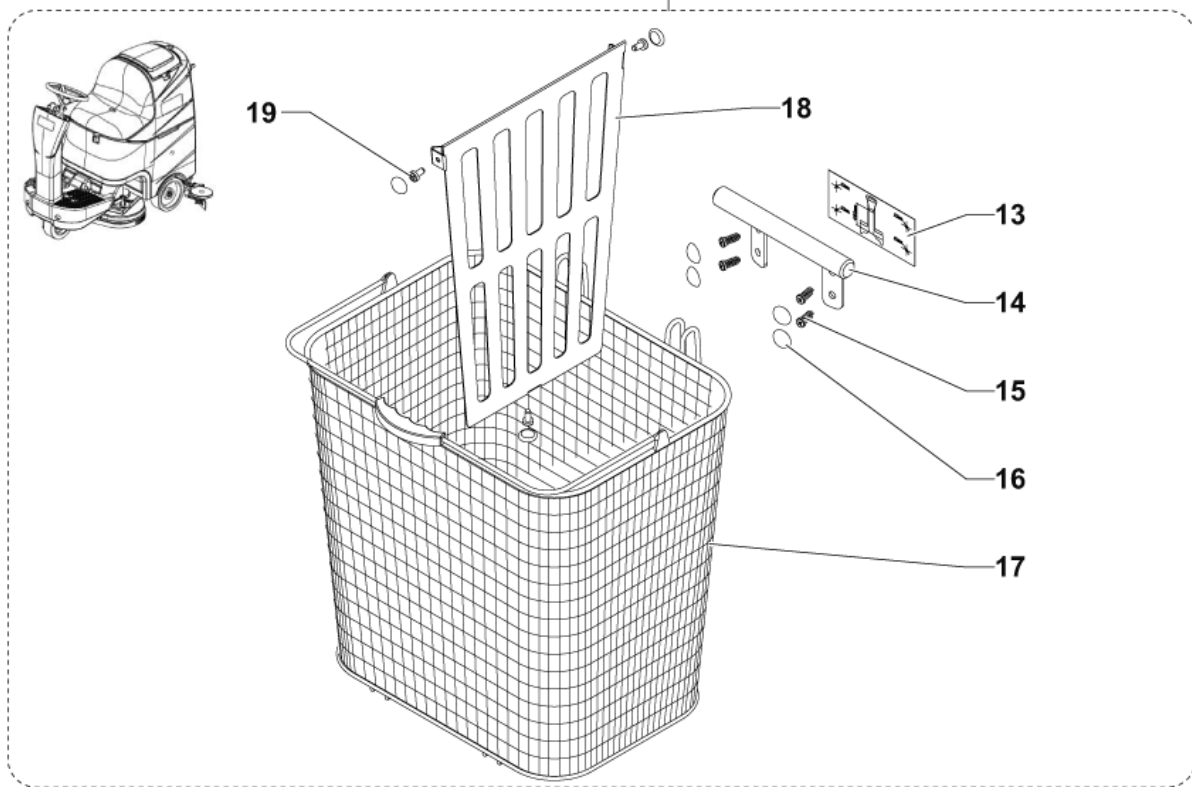
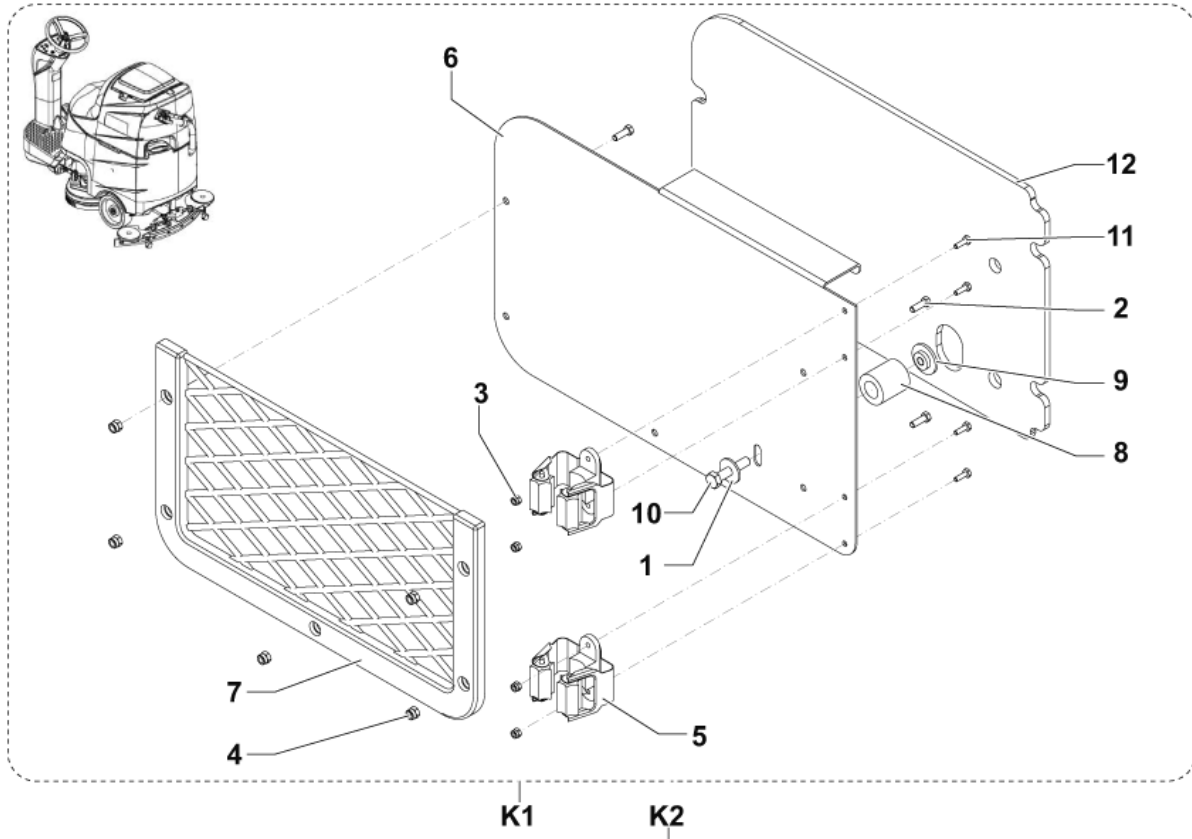
[1] - SEE TSB IT 2012-088



Pos.	Artikel-Nr.	Menge	Variante	Notes
6	56315522	1	Rückschlagventil EDS	
12	9100001819	5	PUMP CHEMICAL MIX KIT	
K1	9099069000	1	Reinigungsmittel-Dosiersystem	[1]
K2	9099948000	1	HOSES ECOFLEX SYSTEM KIT	[2]

Part Notes:

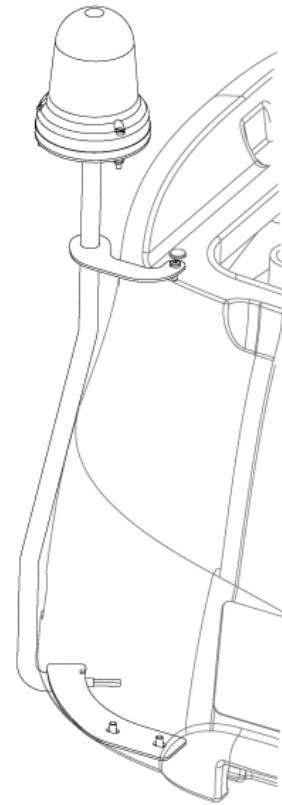
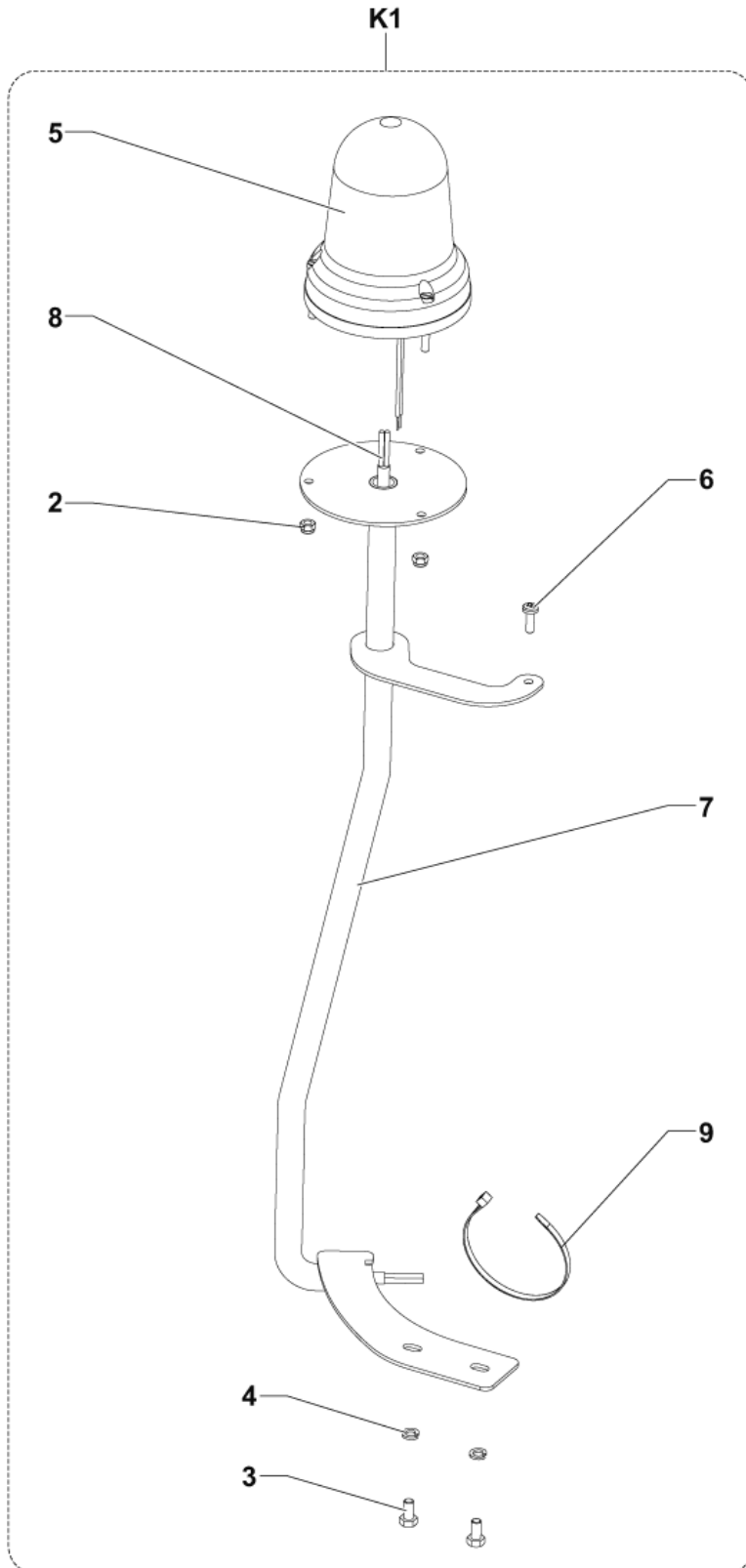
- [1] - Optional - See Inst.Instr. 9099118000
- [2] - Pos.1-2-3-8-11-13-16-18-19-20-21-22-24-25



Pos.	Artikel-Nr.	Menge	Variante	Notes
5	9100002118	2	HOLDER BROOM SIP	
7	9097947000	1	9097947000	
17	9098250000	1	BASKET	
K1	9097815000	1	Mop und Schmutzbehälter	[1]
K2	9098480000	1	Ablagekorb-Set	[1]

Part Notes:

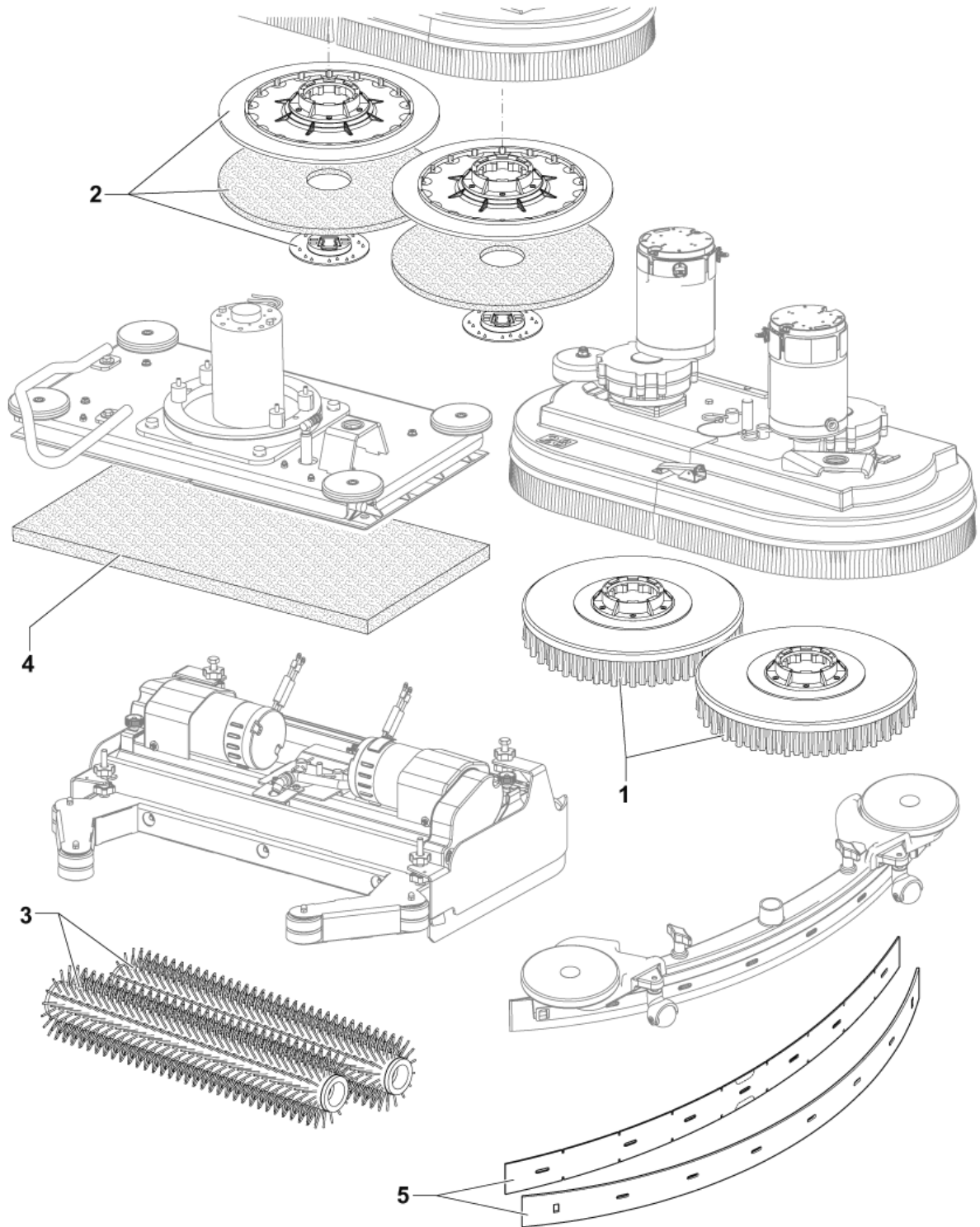
[1] - Optional



Pos.	Artikel-Nr.	Menge	Variante	Notes
5	33023155	1	Rundumleuchte	
K1	9098937000	1	Warnblinklicht	[1]
K2	9098772000	1	Schalldämpfer-Set	[2]

Part Notes:

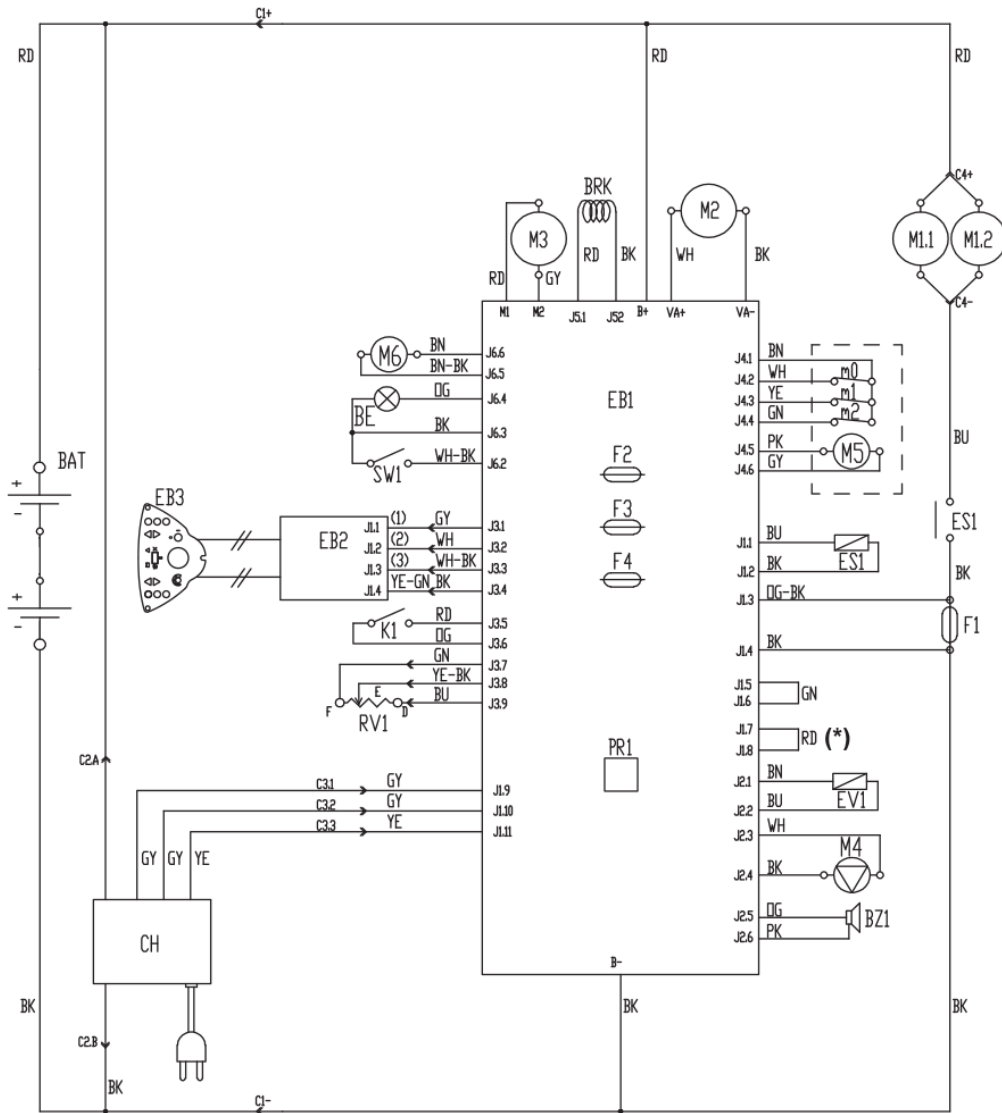
- [1] - Optional
- [2] - Optional - Inst.Instr. 9098773000



Pos.	Artikel-Nr.	Menge	Variante	Notes
1	11439A	2	Schleifkornbürste Clean Grit, 330 mm	[1]
1	303000382	2	Universalbürste 14" (5-K) Ø 370 mm	[1]
1	11431B	2	Schleifkornbürste Grit mittel, 355 mm	[1]
1	303000381	2	Universalbürste 13" (5-K) Ø 355 mm	[1]
1	10874A	2	Schrubbbürste Nylon 355 mm	[1]
1	11437A	2	Schrubbbürste 330 mm,	[2]
1	11438A	2	Schrubbbürste PP, 330 mm	[1]
1	10383A	2	BRUSH ASM LITE GRIT 14	[2]
1	11427B	2	Schrubbbürste PP, 355 mm	[1]
1	11426B	2	Schleifkornbürste 355 mm	[2]
1	11440A	2	Schleifkornbürste 330 mm	[2]
1	10382A	2	Schleifkornbürste 330 mm	[2]
2	10001912	2	Eco Pad 13", Ø 330 mm, braun, VPE 5	[1]
2	38035A	2	Padhalter 330 mm	[1]
2	10001914	2	Eco Pad 13", Ø 330 mm, rot, VPE 5	[1]
2	38036A	2	Padhalter 355 mm	[1]
2	10001920	2	Eco Pad 14", Ø 355 mm, rot, VPE 5	[1]
2	10001918	2	Eco Pad 14", Ø 355 mm, braun, VPE 5	[1]
2	10001917	2	Eco Pad 14", Ø 355 mm, blau, VPE 5	[1]
2	10001915	2	Eco Pad 13", Ø 330 mm, weiß, VPE 5	[1]
2	10001916	2	Eco Pad 14", Ø 355 mm, schwarz, VPE 5	[1]
2	10001911	2	Eco Pad 13", Ø 330 mm, blau, VPE 5	[1]
2	10001921	2	Eco Pad 14", Ø 355 mm, weiß, VPE 5	[1]
2	10001910	2	Eco Pad 13", Ø 330 mm, schwarz, VPE 5	[1]
3	56412046	2	Bürstenwalze PP, rot	[1]
3	56412191	2	Bürstenwalze Nylon, weich, gelb	[2]
3	56412193	2	Bürstenwalze Sica Grit 180, blau/grau	[1]
3	56412192	2	Bürstenwalze Nylon, hart, Naturborsten	[1]
4	997002	1	Pad 14", Ø 355 mm, weiß, VPE 5	[1]
4	997018	1	Pad Hi-Pro 14", Ø 355 mm, braun, VPE 10	[1]
4	56384454	1	PAD-MAROON-14X28-10/CS	
4	30794A	1	2-seitiger Klettverschluß	[1]
4	997000	1	Pad 14", Ø 355 mm, schwarz, VPE 5	[1]
4	997006	1	PAD-BLAU-14"X28"-5STK	[1]
4	997016	1	Pad Hi-Pro 14", Ø 355 mm, schw., VPE 10	[1]
5	9097804000	1	Sauglippen-Set 890 mm, 35"	[1]

Part Notes:

- [1] - Optional
 [2] - Optional
 COMPLEXITY REDUCTION



Pos.	Artikel-Nr.	Menge	Variante	Notes
BE	33023155		Rundumleuchte	
BRK	9098626000		Bremse, Elektromagnetisch	
BZ1	909 6126 000		Warnton	
C1	9100002117		Stecker Batterie 120A PKD	
C4	9100002248		CONNECTOR 50A RED SIP	
CH	9099680000		Einbauladegerät 24V-20A 230V	
EB1	9100000024		CARD ELECTRONIC TRACTION KIT	
EB2	9100000181		CARD ELECTRONIC FUNCTIONS KIT	
EB3	9098781000		Aufkleber	
ES1	9097208000		Relais	
EV1	909 6555 000		Magnetventil 24 V	
F1	145 9854 000		Sicherung 50A	
F2	9100000877		FUSE MIDIFUSE 100A PKD	
F3	9100000878		FUSE BLADE 3A PKD	
F4	145 9853 000		Sicherung 15A	
K1	9100001354		Schlüsselschalter komplett	
M1.1,2	9099858000		MOTOR ELECTRIC 600W 24V KIT	
M1.1,2	56390072		Motor 24V	
M2	9100003042		MOTOR VACUUM 3ST 24V 400W KIT	
M3	9100002163		MOTOR ELECTRIC 300W 24V KIT	
M4	9100001819		PUMP CHEMICAL MIX KIT	
M5	9100000683		ACTUATOR LINEAR 24V DC STRK 46MM PKD	
M6	9100000682		ACTUATOR LINEAR 24V DC STRK 100MM PKD	
PR1	9100002989		SOLUTION LEVEL SENSOR KIT	
RV1	9100001420		PEDAL MECHANICAL SIP	
SW1	9100001152		MICROSWITCH PKD	

No Diagram Available

Parts List Only

Resource notes:

WP : wear part

OM : ordinary maintenance

EOM : extraordinary maintenance

RECOMMENDED SPARE PARTS

SCRUBTEC R 471

2023.11.23

2020.10.26

Pos.	Artikel-Nr.	Menge	Variante	Notes
WP	9098716000	1	Kohlenbürste Kit	
WP	9099855000	1	Sauglippen-Set PU 890 mm	
WP	30661A	1	Bürstenabdeckung links	
WP	30662A	1	Bürstenabdeckung rechts	
WP	30574A	1	Bürstegehäuse links Scr	
WP	30575A	1	Bürstenabdeckung, rechts	
WP	9097960000	2	SKIRT SIDE CYL.DECK	
OM	9100001890	1	Ablassschlauch L.611mm SIP	
OM	9098169000	1	Saugschlauch	
OM	9098895000	1	GASKET BULB RUBBER L.1150MM SIP	
OM	9098407000	1	Antriebsrad	
OM	9098627000	1	Kohlenbürste Kit	
OM	9098115000	1	Wasserfilter Kit	
OM	9099163000	2	Lenkrolle D42	
OM	9100000772	2	WHEEL D.254 80SH GREY PKD	
OM	909 5380 000	2	Kohlebürste Kit	[1]
OM	56382991	1	KIT-ISOLATOR BOOST HD	
OM	56412287	1	Kohlenbürstenset m. Federkompl. BA 755/8	
OM	909 5761 000	1	Rillenriemen 11J04838BA 600SC	
OM	909 6731 000	1	Riemen Poly-V BR 601	
OM	L08603949	2	Kohlenbürsten Kit 4pcs	
OM	9098734000	2	Getriebe Kompl. Walze	
EOM	9098224000	1	Adapter Frischwassertank	
EOM	9099167000	1	CAP SOLUTION TANK KIT	
EOM	9100001152	1	MICROSWITCH PKD	
EOM	9100003042	1	MOTOR VACUUM 3ST 24V 400W KIT	
EOM	9098177000	1	Halteseil	
EOM	909 6380 000	1	Schlauchklammer BR 601BR 751	
EOM	9097796000	1	Lenksaule Hoeheneinstellung	
EOM	9100001420	1	PEDAL MECHANICAL SIP	
EOM	9100000181	1	CARD ELECTRONIC FUNCTIONS KIT	
EOM	9098781000	1	Aufkleber	
EOM	9100001354	1	Schlüsselschalter komplett	
EOM	146 2887 000	1	Schlüssel (2 Stück)	
EOM	9100001428	1	HARNESS FOOTBOARD DISC DECK SIP	
EOM	9100001430	1	HARNESS FOOTBOARD CYL.DECK SIP	[1]
EOM	9100002614	1	HARNESS WHEEL MOTOR SIP	
EOM	9098626000	1	Bremse, Elektromagnetisch	
EOM	9100002163	1	MOTOR ELECTRIC 300W 24V KIT	
EOM	909 6555 000	1	Magnetventil 24 V	
EOM	9098380000	1	Befestigungsleiste	
EOM	9098381000	1	STRAP SKIRT REAR RIGHT 35 INC.	
EOM	9098382000	1	Spannverschluss	
EOM	9098390000	1	SUPPORT SQUEEGEE DOWN	
EOM	9097827000	1	SUPPORT SQUEEGEE UPPER	
EOM	9100001090	2	ROD EYE M10 PKD	
EOM	9100000682	1	ACTUATOR LINEAR 24V DC STRK 100MM PKD	
EOM	9098708000	1	SQUEEGEE LIFTING KIT	
EOM	9098722000	1	CENTRING SQUEEGEE KIT	
EOM	909 6394 000	1	Verschluss BA 451	
EOM	1466146000	2	KEY 5X5X25 UNI6604A PKD	
EOM	9100001657	2	REDUCTION GEARMOTOR 400W 24V KIT	
EOM	56390072	1	Motor 24V	
EOM	9098436000	2	HUB BRUSH	
EOM	9097850000	1	Federdämpfer Schrubdeck	
EOM	9100000681	1	ACTUATOR LINEAR 24V DC STRK 66MM PKD	
EOM	9097851000	1	Zentrierfeder	
EOM	9097813000	1	Führung	
EOM	9100000683	1	ACTUATOR LINEAR 24V DC STRK 46MM PKD	

RECOMMENDED SPARE PARTS

SCRUBTEC R 471

2023.11.23

2020.10.26

Pos.	Artikel-Nr.	Menge	Variante	Notes
EOM	909 6356 000	2	Flügelmutter Kit	
EOM	9099858000	2	MOTOR ELECTRIC 600W 24V KIT	
EOM	9098737000	2	Walzenbürste Halter Kit	
EOM	9097208000	1	Relais	
EOM	9100000024	1	CARD ELECTRONIC TRACTION KIT	
EOM	9100002989	1	SOLUTION LEVEL SENSOR KIT	
EOM	9100000878	1	FUSE BLADE 3A PKD	
EOM	145 9853 000	1	Sicherung 15A	
EOM	9100000877	1	FUSE MIDIFUSE 100A PKD	
EOM	145 9854 000	1	Sicherung 50A	
EOM	9100002117	1	Stecker Batterie 120A PKD	
EOM	9099680000	1	Einbauladegerät 24V-20A 230V	
EOM	9100000787	1	CABLE EXTENSION EU PLUG L.2000 PKD	
EOM	9098658000	1	HARNES CYL.DECK	[2]
EOM	9098374000	1	Kabelbaum für Bürstendeck	

Part Notes:

- [1] - GUARANTEE DATE EXPIRED
- [2] - STOCK COVERS GUARANTEE

