

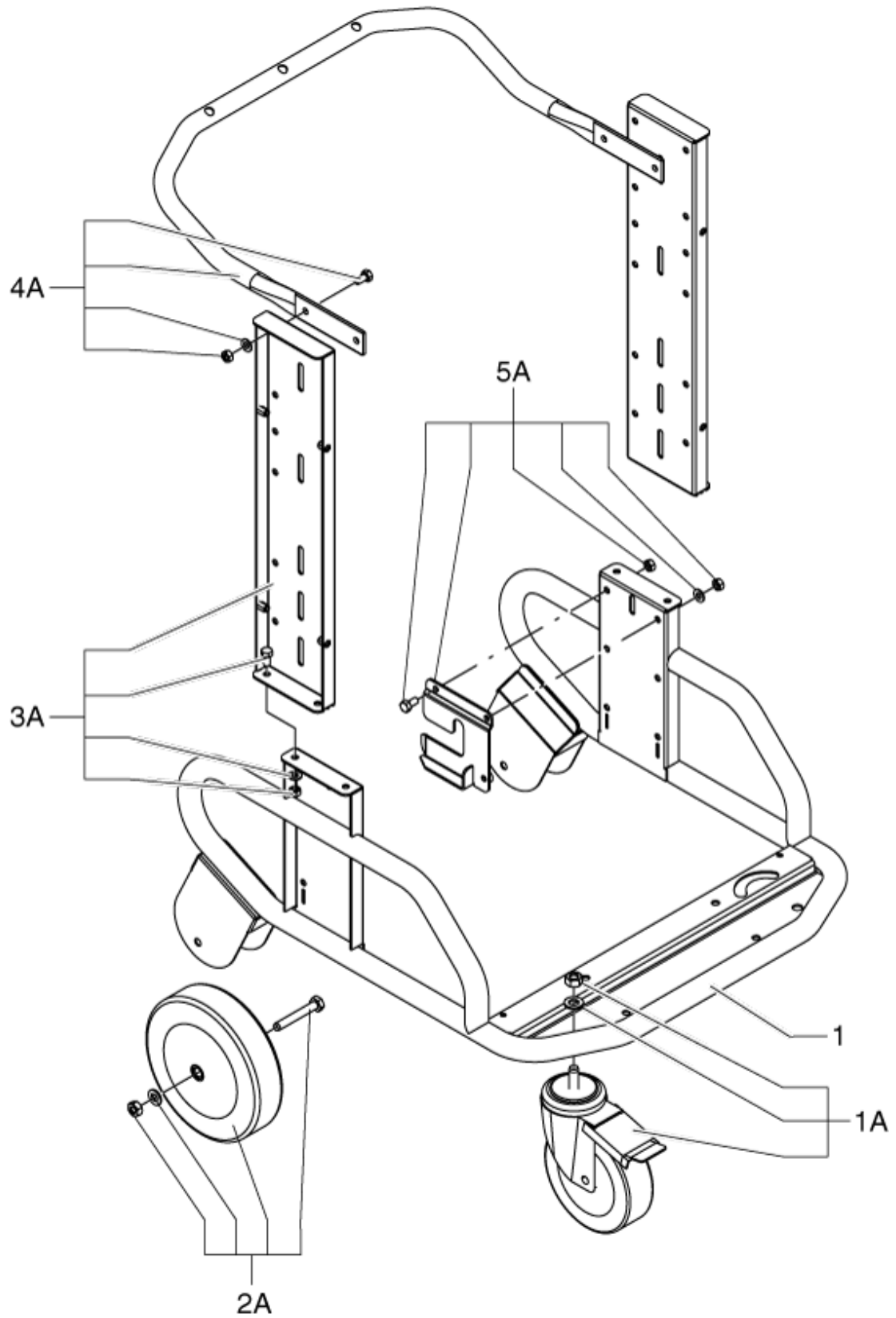
PARTS LIST



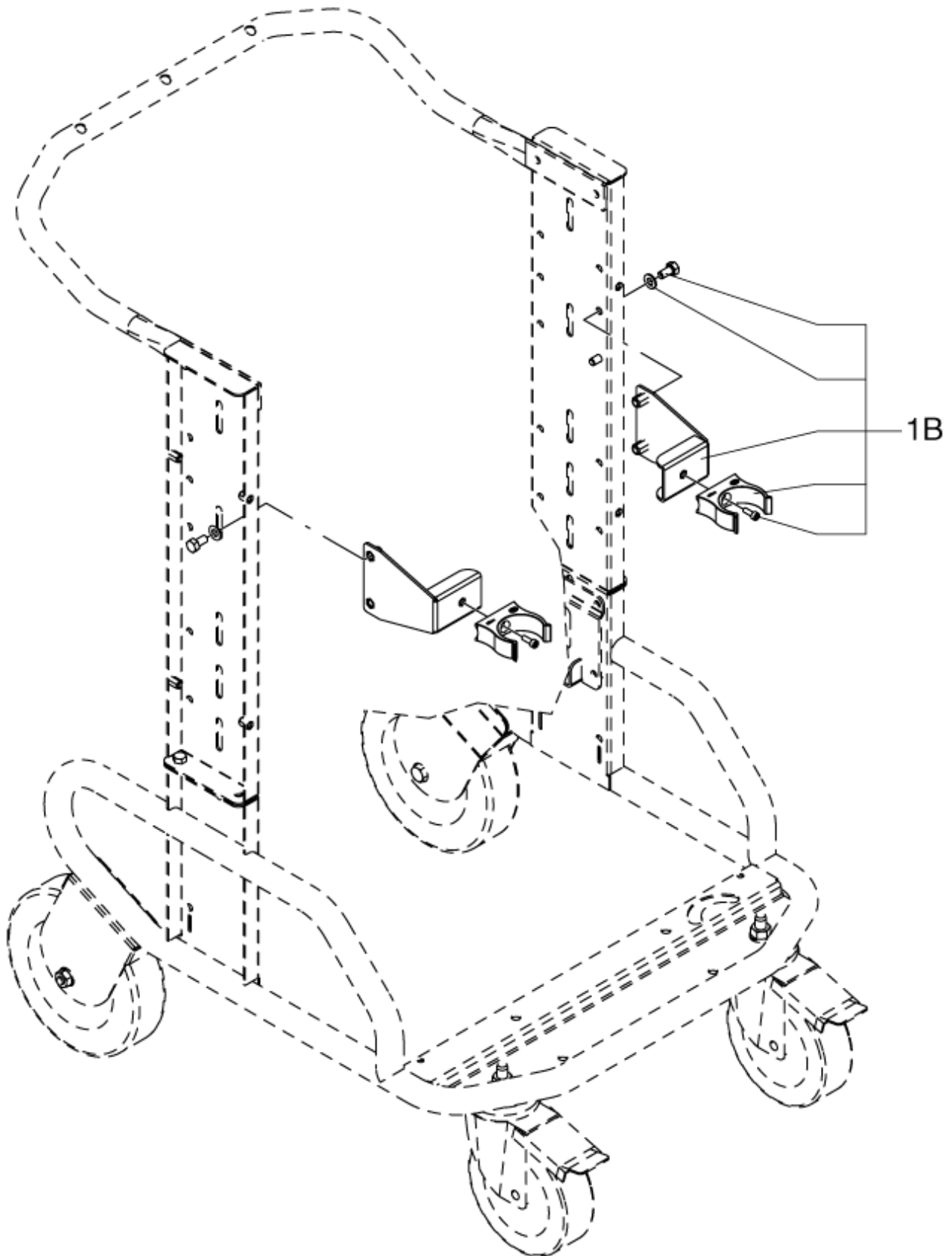
2019.01.15

TABLE OF CONTENTS

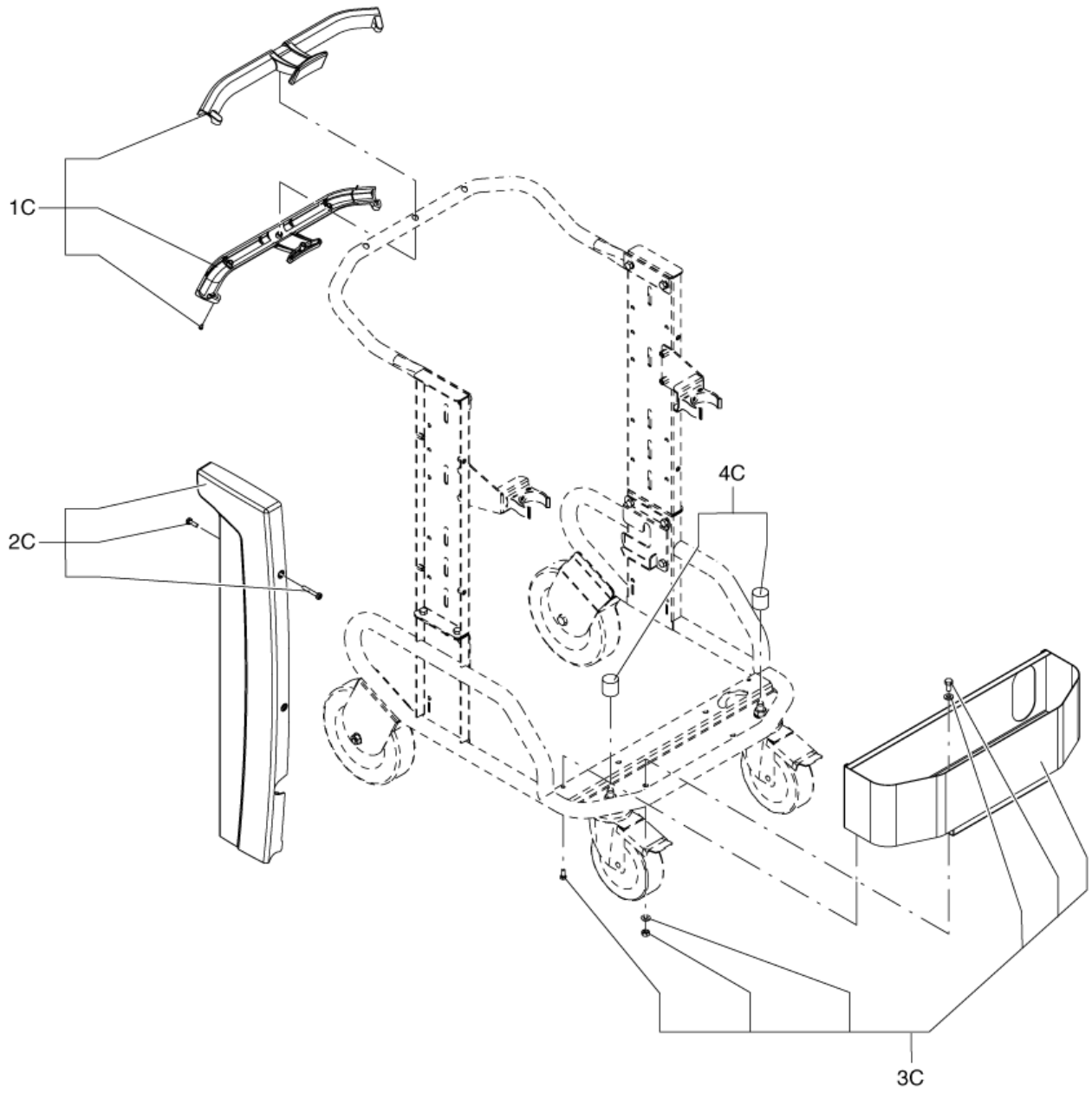
Car 01	1
Car 02	3
Car 03 (mod. L)	5
Container unit	7
Cyclon kit	9
Filter group	11
Absolute filter	13
Suction unit 01	15
Suction unit 02	17
Suction unit 03	19
Suction unit 04	21
Suction unit 05	23
Suction unit 06	25
Suction unit 07	27
Suction unit 08	29
Suction unit 09	31
Suction unit 10	33
Car 03 (mod. M)	35



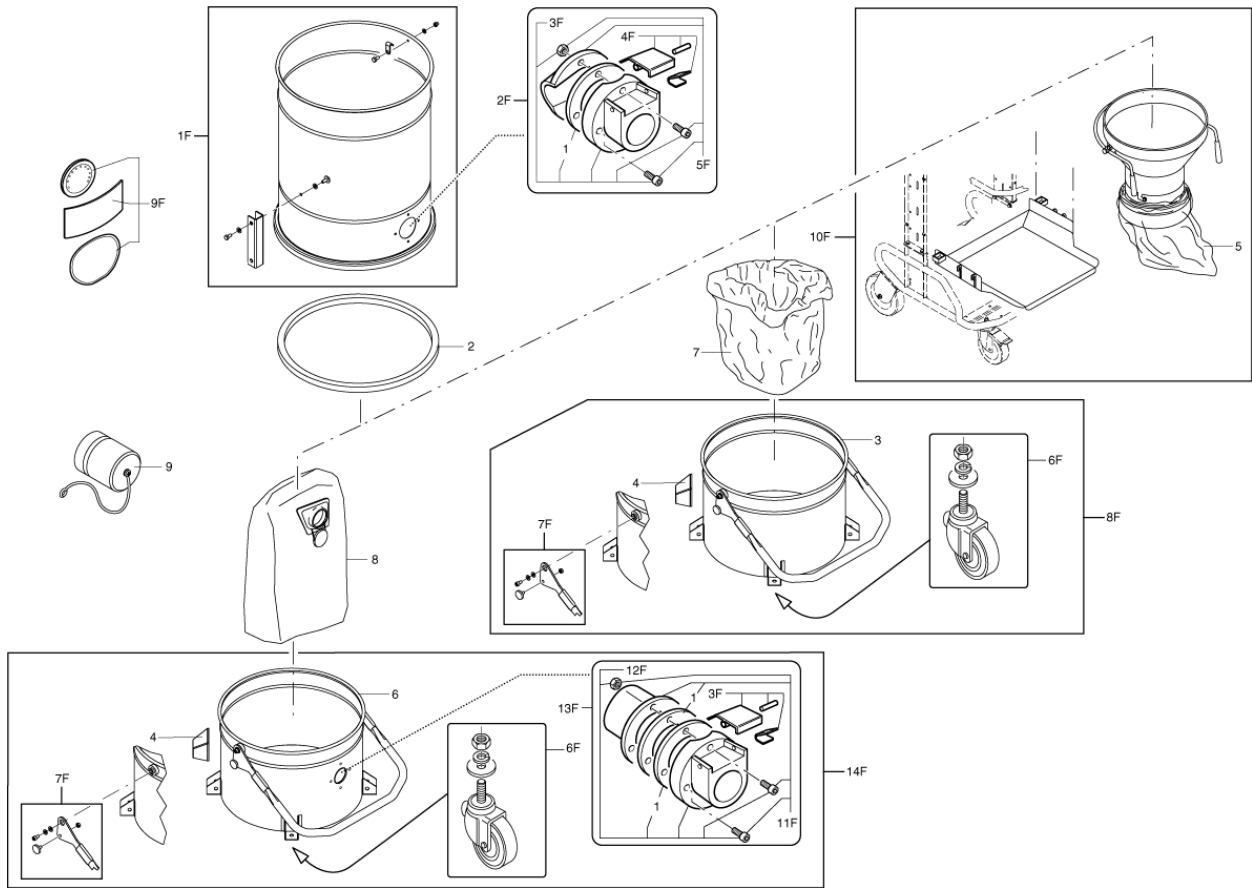
Pos.	Artikel-Nr.	Menge	Variante	Notes
01	4083600611	1	TROLLEY FOR MODEL S2-S3 R7016	
01A	40000874	2	KIT REVOLV. CASTOR D150	
02A	40000873	2	Rad D200 Kit	
03A	40000871	1	UPRIGHT KIT	
04A	40000891	1	HANDLE KIT	
05A	40000872	1	Befestigungskit	
NS	Z8 40809		Lenkrolle für Modell	
NS	Z8 40049		Schwenkrad D150 schwarz	



Pos.	Artikel-Nr.	Menge	Variante	Notes
01B	40000856	1	Schlauchhalter	



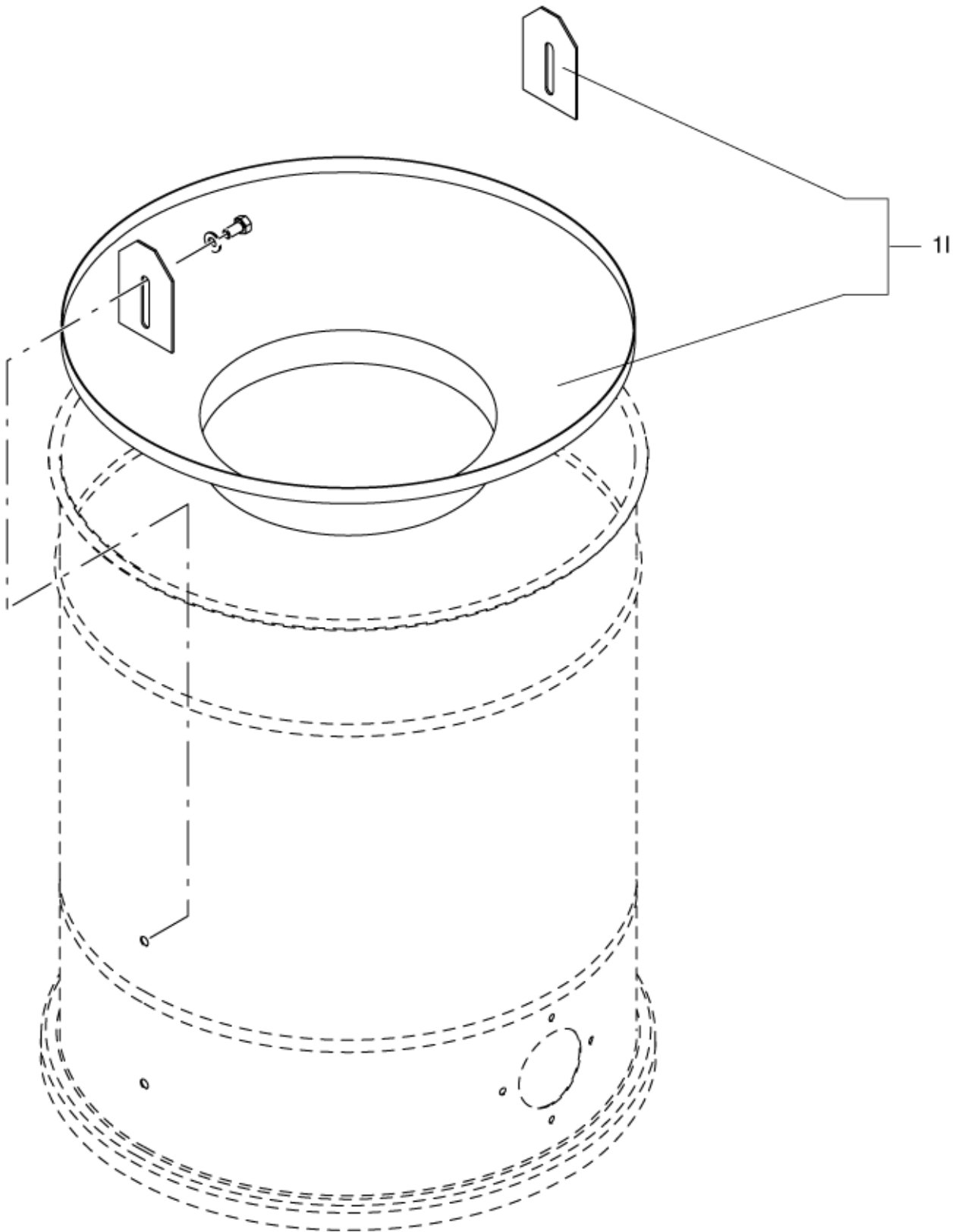
Pos.	Artikel-Nr.	Menge	Variante	Notes
01C	40000855	1	Griffkit	
02C	40000864	1	Verkleidung	
03C	40000892	1	Zubehörkorb Kit	
04C	40000870	1	Schutzkappen - Kit	



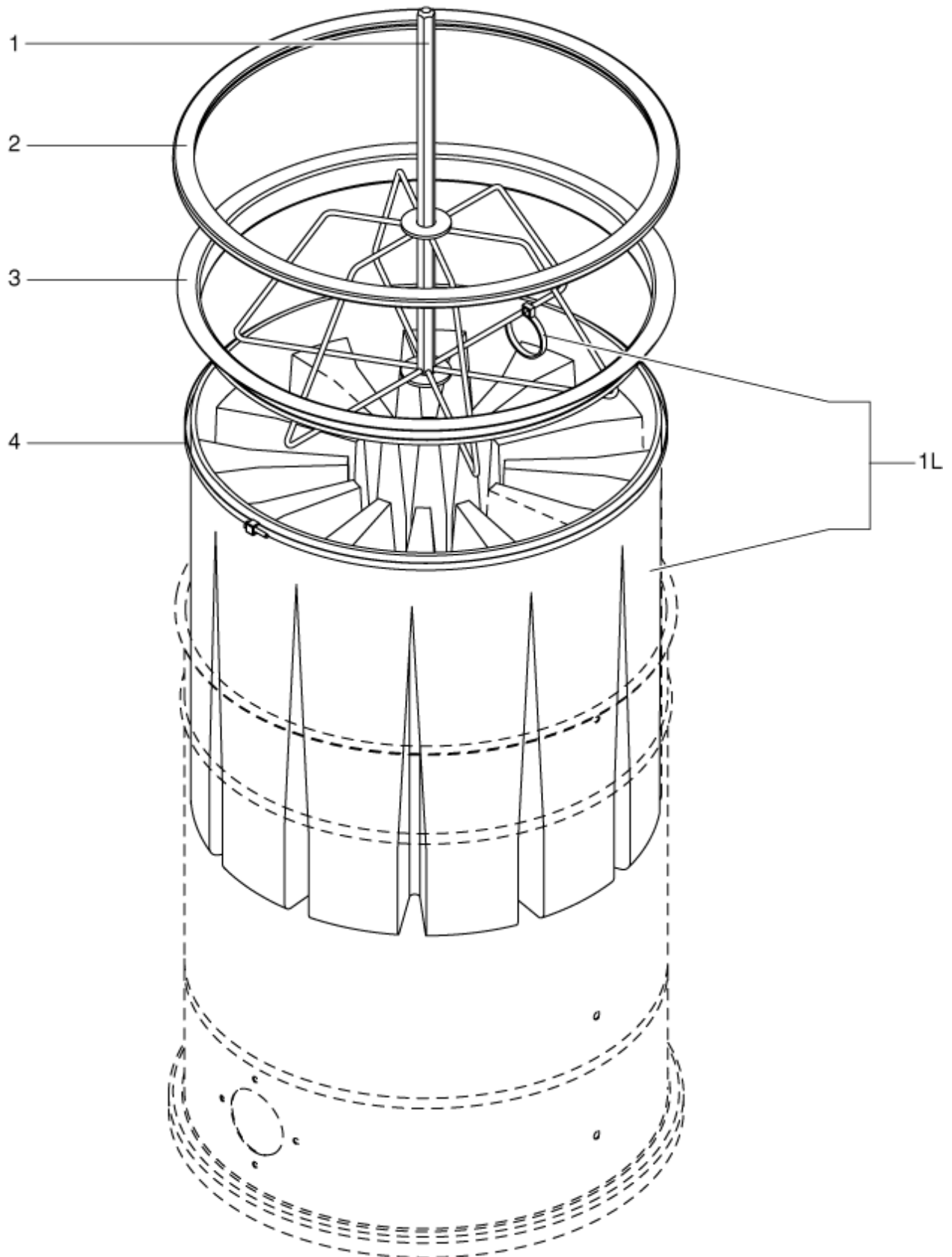
Pos.	Artikel-Nr.	Menge	Variante	Notes
01	Z8 17006	3	Dichtungsring D70	
01F	40000869	1	Filterkit	
01F	40000895	1	STAIN LESS FILTER CHAMBER KIT	
02	40000762	1	Dichtungsring	
02F	40000868	1	Anschluss D70	
02F	40000418	1	Kesselanschluß D70, kpl.	
03	4083000526	1	BIN D460 L40 M.S2	
03	4083000529	1	BIN D460 L40 SS M.S2	
03F	40000867	1	D70 INLET KIT	
03F	40000344	1	KIT INLET INOX D70	
03F	4089100929	1	Umrüstsatz D70 auf ATEX kpl.	
04	Z8 17021	4	Stossfänger Halter	
04F	40000345	1	KIT PUSHBUTTON FOR INLET D70	
05	4084001017	1	Packung mit 5 Polyäthylenbeuteln	
05	4084000956	1	Ersatzbeutel - 4 x 20 m	
05F	40000395	1	KIT DEFLECTOR D70	
05F	40000416	1	KIT DEFLECTOR D70 INOX MOD.A17	
06	4083000532	1	BIN D460 L40 FOR BAG ATTACK M.S2	
06	4083000534	1	BIN D460 L40 FOR BAG ATTACK M.S2 SS	
06F	40000419	1	Rad Kit zu 100l Kübel 4 Stk.	
06F	40000484	1	Rad, Edelstahl	
07	Z8 40099	1	Entsorgungssäcke Polyethylen Ø360 - 460	
07F	40000925	1	STAIN LESS HANDLE KIT L40	
07F	40000924	1	HANDLE KIT L40	
08	81584000	1	Papierfilterbeutel 460mm VPE 5St	
08F	4083000527	1	COMPLETE BIN D460 L40 M.S2	
08F	4083000530	1	COMPLETE BIN D460 L40 SS S2	
09	Z7 21070	1	Stecker X Einlass D70 FEkomplett	
09	Z7 21072	1	PLUG X INLET D70 INOX COMPLETE	[1]
09F	40000896	1	Aufkleber	
10F	4056000468	1	Schwerlastklappe, Ø 460 mm,	
11F	40000852	1	DEFLECTOR FOR PAPER BAG KIT	
12F	40000867	1	D70 INLET KIT	
13F	40000894	1	D70 INLET FULL KIT	
14F	4056000495	1	Entsorgungssystem S2 VA	
14F	4056000494	1	Entsorgungssystem S2	

Part Notes:

[1] - CONTACT PM ZOCCA



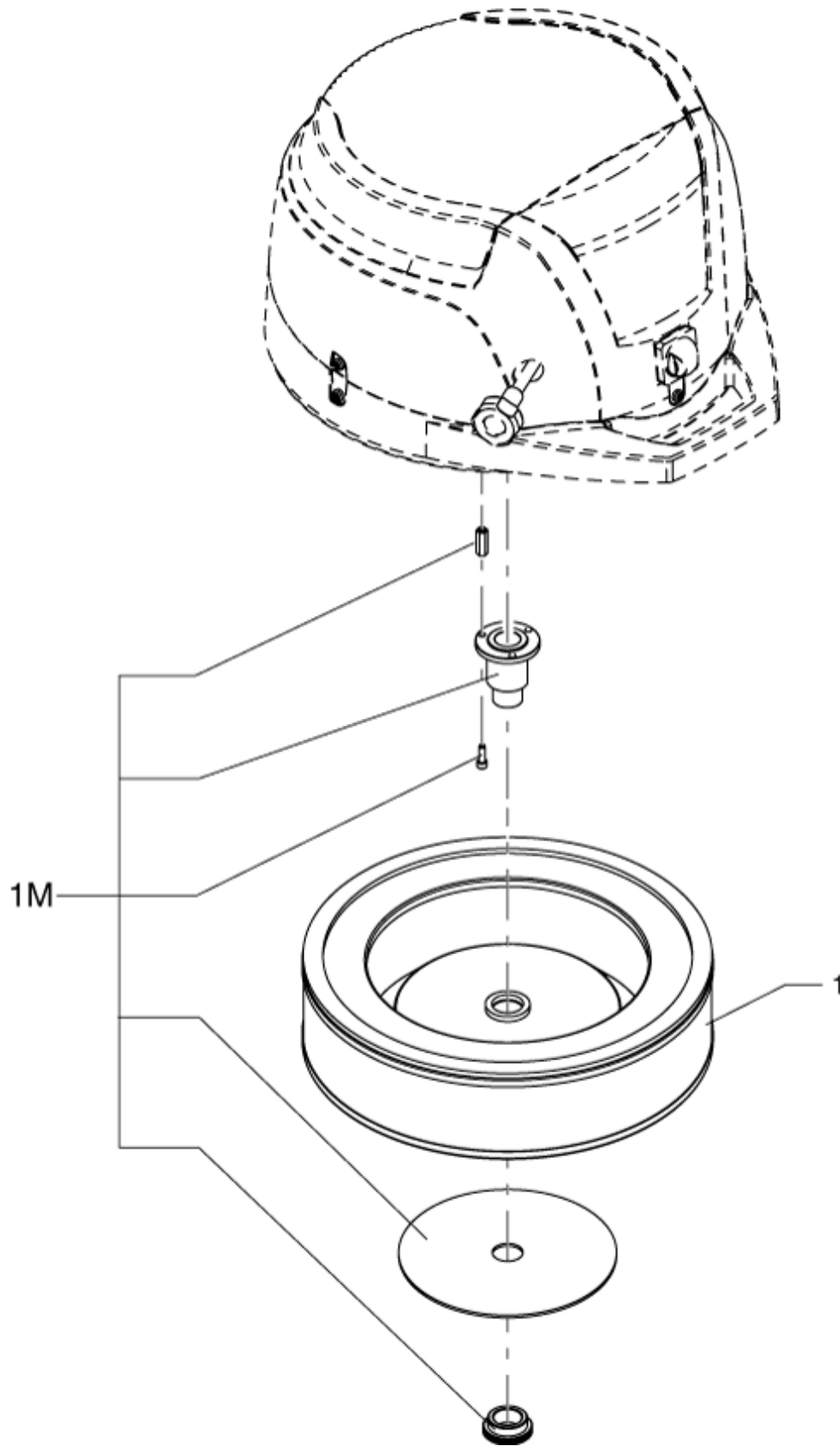
Pos.	Artikel-Nr.	Menge	Variante	Notes
011	Z5 60109	1	Zyklon und Halteklammern Ø460;Stahl vz	



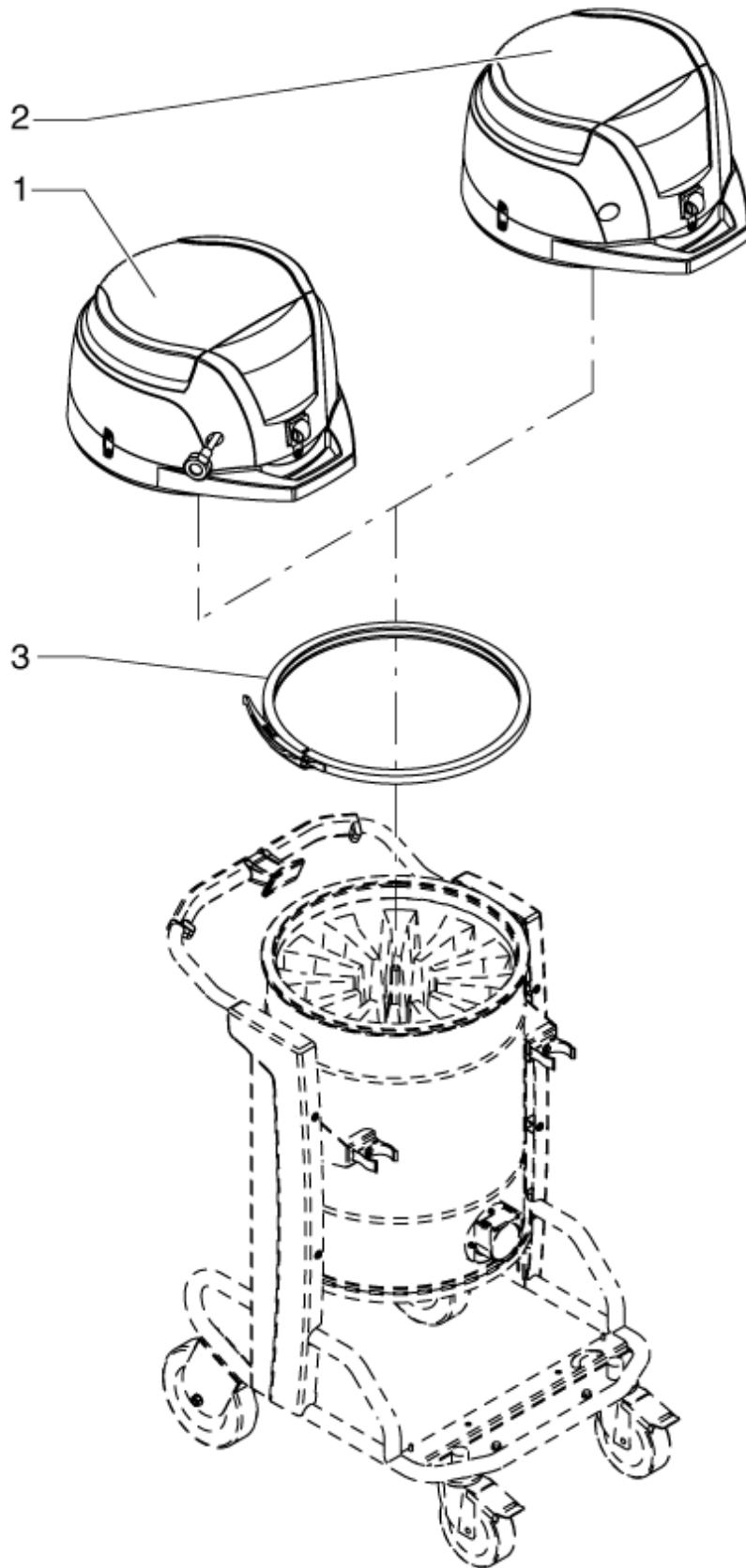
Pos.	Artikel-Nr.	Menge	Variante	Notes
01	4083300358	1	FILTER SHAKER CAGE FE D460 M. S2-S3	
01L	40000492	1	Sternfilter Ø460mm Polyester, M-Klasse	[1]
01L	40000338	1	Sternfilter Ø460mm Polyester, L-Klasse	[2]
01L	40000898	1	Sternfilter Ø460mm Nomex®	[3]
02	Z8 17026	1	Dichtung ¥ 460	
02	Z8 17126	1	Filterringdichtung aus	
03	Z8 15003	1	Ring ¥460	
03	Z8 15010	1	Filterring D460 V2A	
04	Z8 18079	1	Filter Halter ¥ 460	
04	4081801387	1	FILTER BLOCK TIE D460 SS AISI304	

Part Notes:

- [1] - M CLASS
- [2] - L CLASS
- [3] - NOMEX



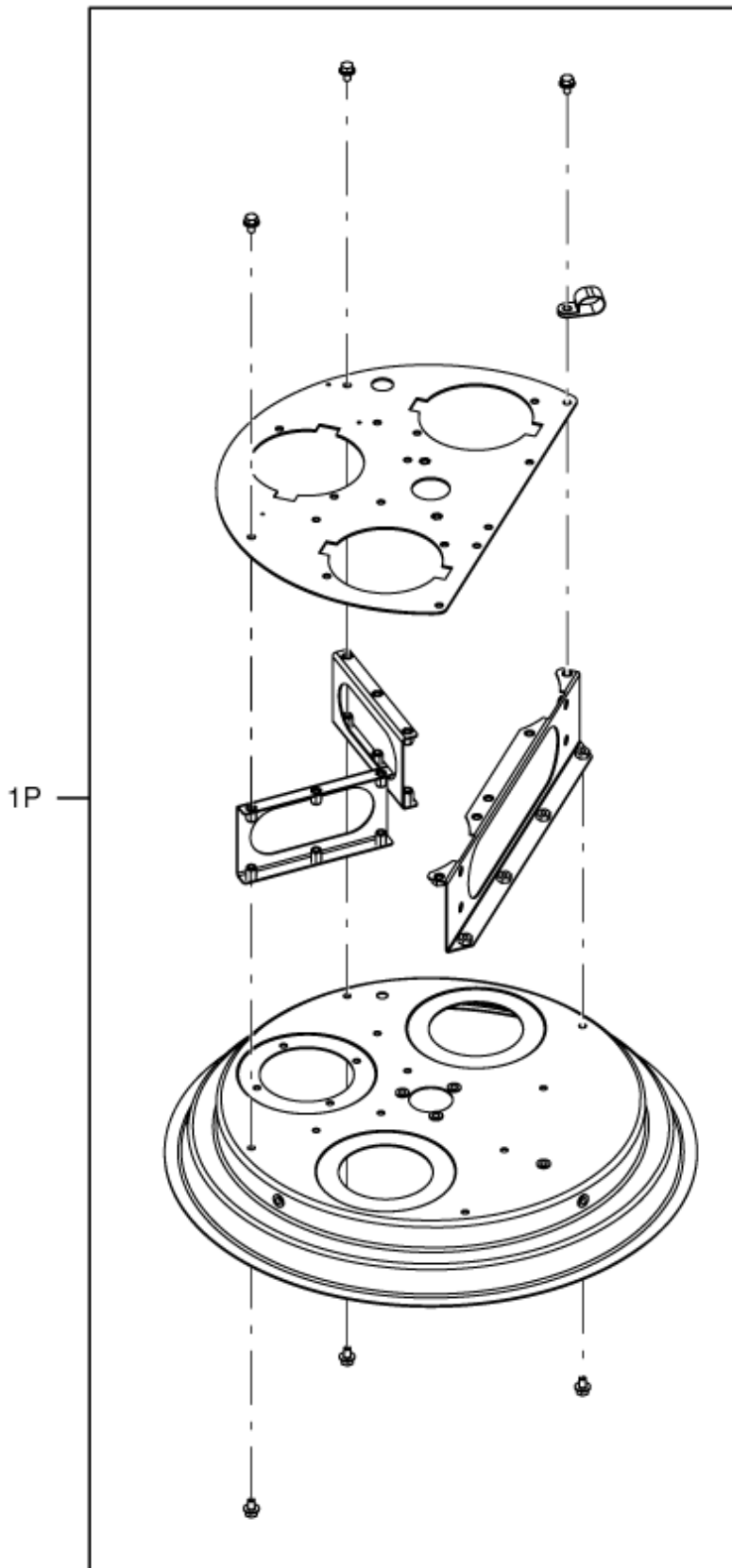
Pos.	Artikel-Nr.	Menge	Variante	Notes
01	4081700935	1	Absolutfilter AU 415 x 100	
01M	40000897	1	AU-Filter Montage-Kit	



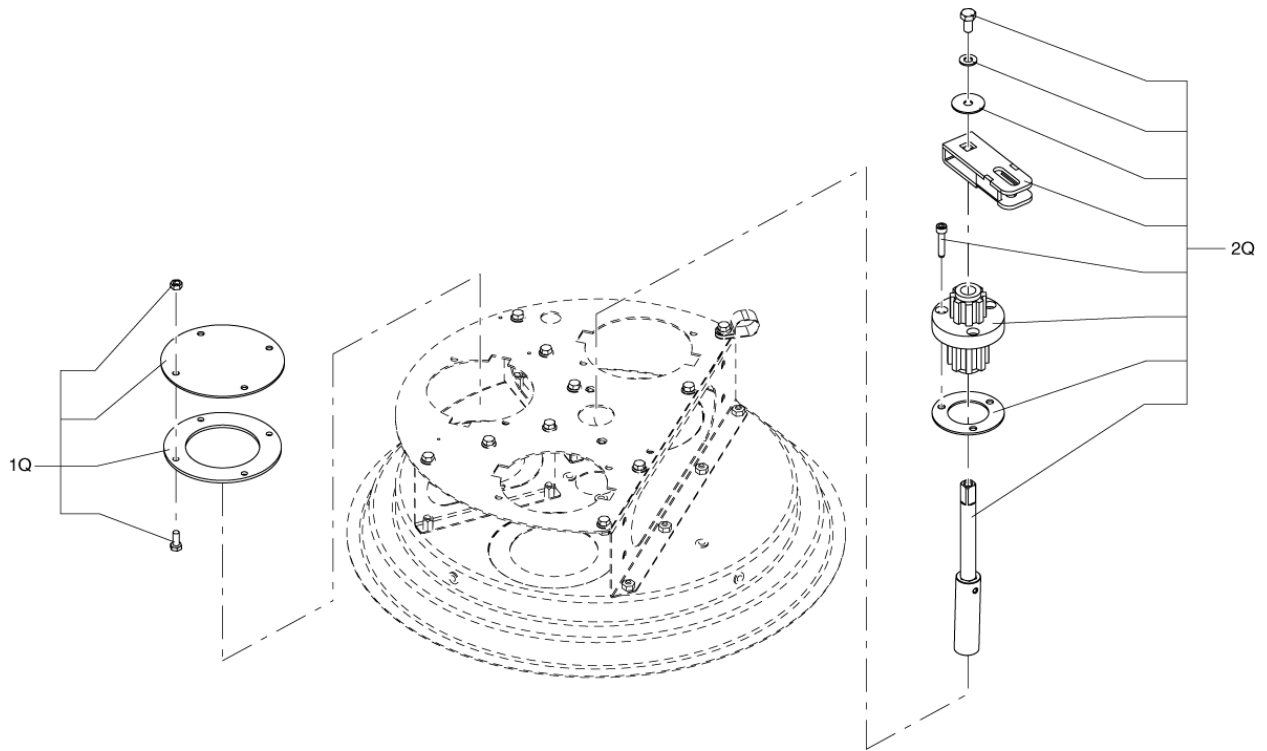
Pos.	Artikel-Nr.	Menge	Variante	Notes
01	4089100086	1	KIT COMPLETE HEAD M.S2 230V EU	
01	4089100074	1	KIT COMPLETE HEAD S2 110V UK	
01	4089100073	1	KIT COMPLETE HEAD S2 230V	
02	4089100144	1	KIT COMPLETE HEAD SHAKER EL.M.S2 230V UK	
02	4089100145	1	KIT COMPLETE HEAD SHAKER EL.M.S2 110V UK	
02	4089100143	1	KIT COMPLETE HEAD SHAKER EL.M.S2 230V EU	
03	Z8 36191	1	Spannring	
03	Z8 36355	1	BAND LOCK D460 INOX 3308 COMP. W.BRACKET	[1]
NS	4085400028	1	MOTOR SINGLE-PH. 800W V100M.S2-S3	

Part Notes:

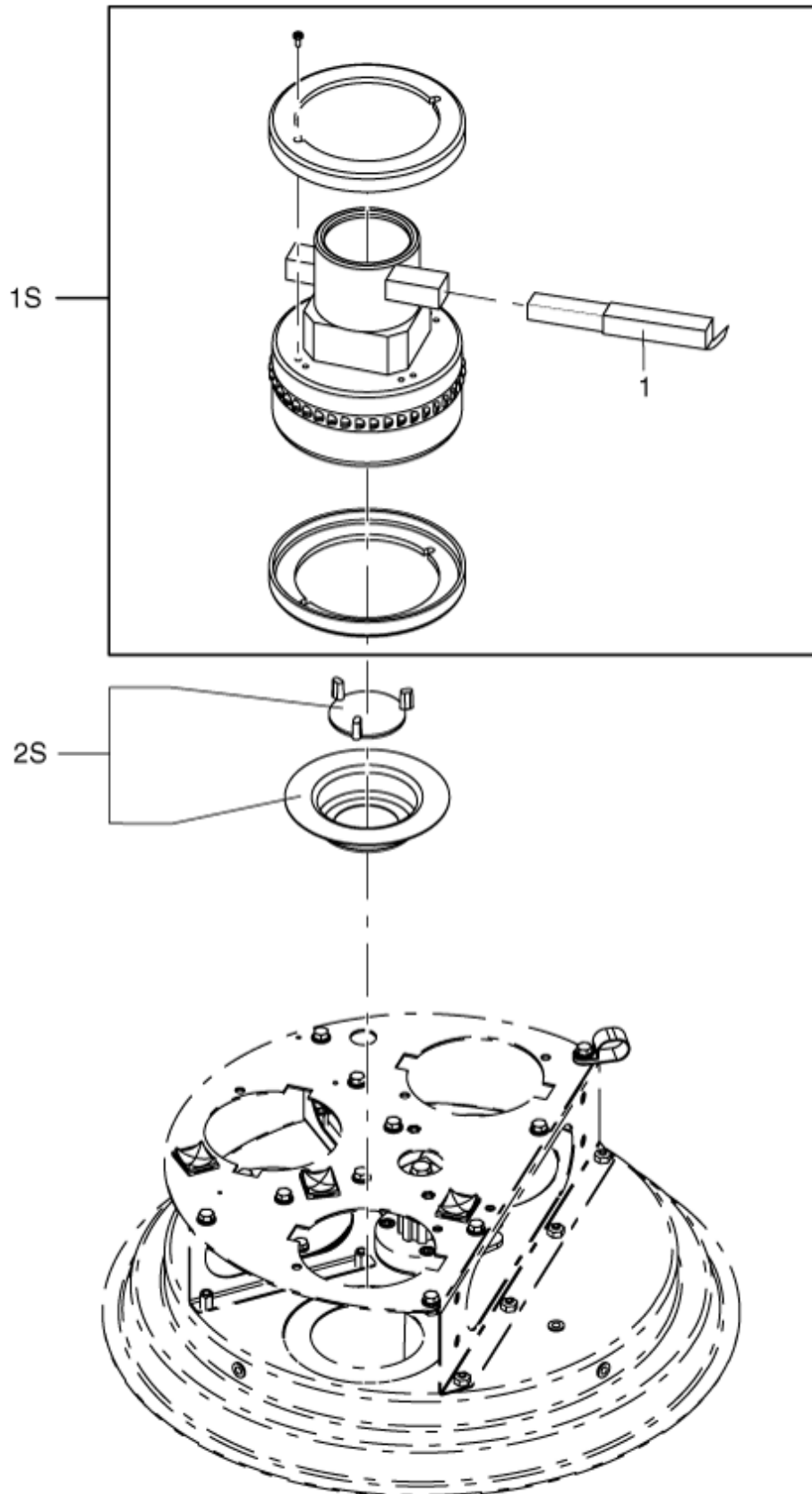
[1] - CONTACT PM IN ZOCCA



Pos.	Artikel-Nr.	Menge	Variante	Notes
01P	40000899	1	MOTOR SUPPORT KIT	



Pos.	Artikel-Nr.	Menge	Variante	Notes
01Q	40000901	1	S2 MOTOR CLOSING KIT	
02Q	40000900	1	Zwischenteil für	

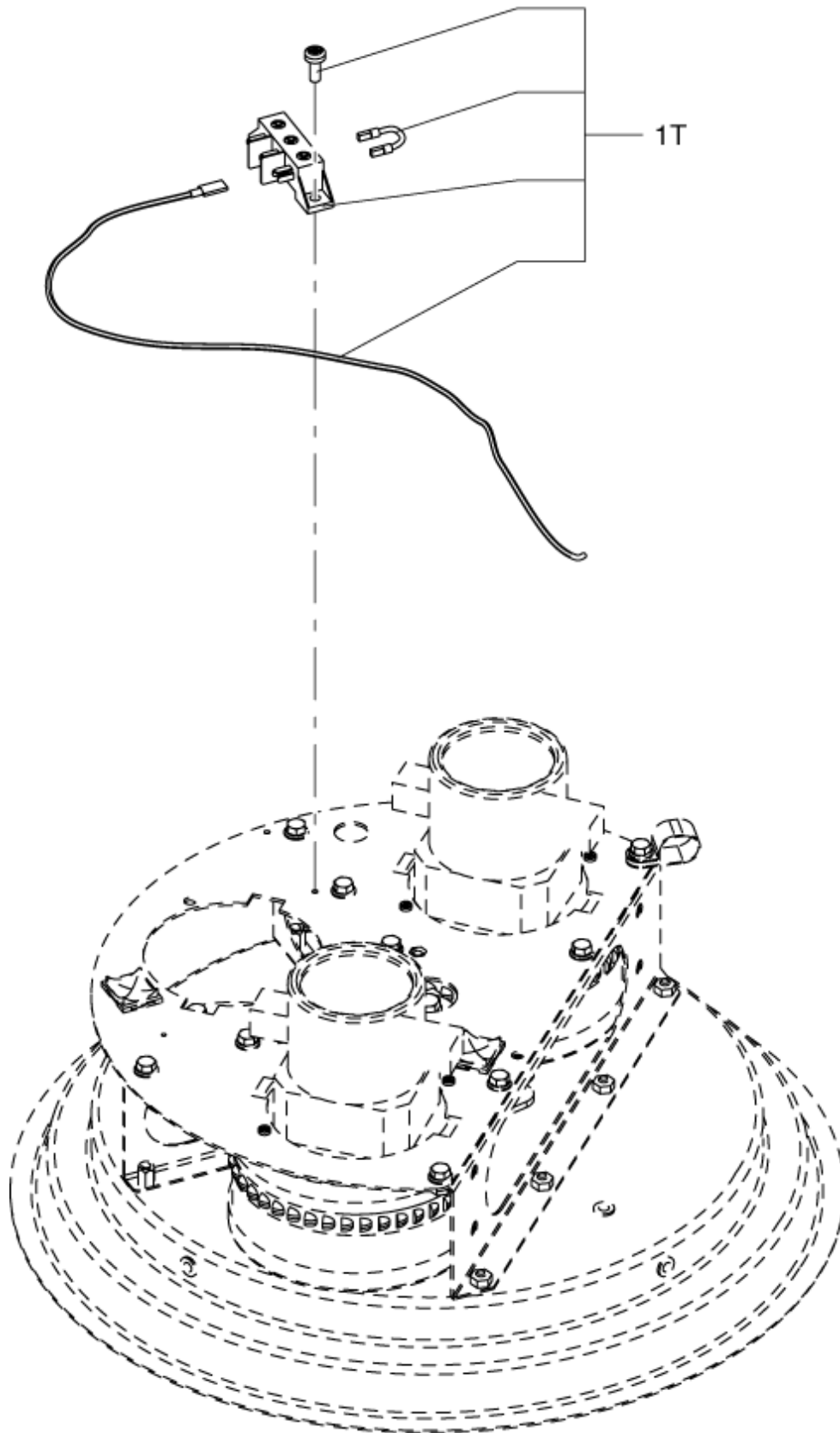


Pos.	Artikel-Nr.	Menge	Variante	Notes
01	40000885	1	MOTOR BRUSH KIT V230	[1]
01	40000886	1	MOTOR BRUSH KIT V120	[2]
01S	40000937	1	Motor Kit V230	[1]
01S	40000938	1	MOTOR KIT V110 UK	[2]
02S	40000902	1	Drosselventil	

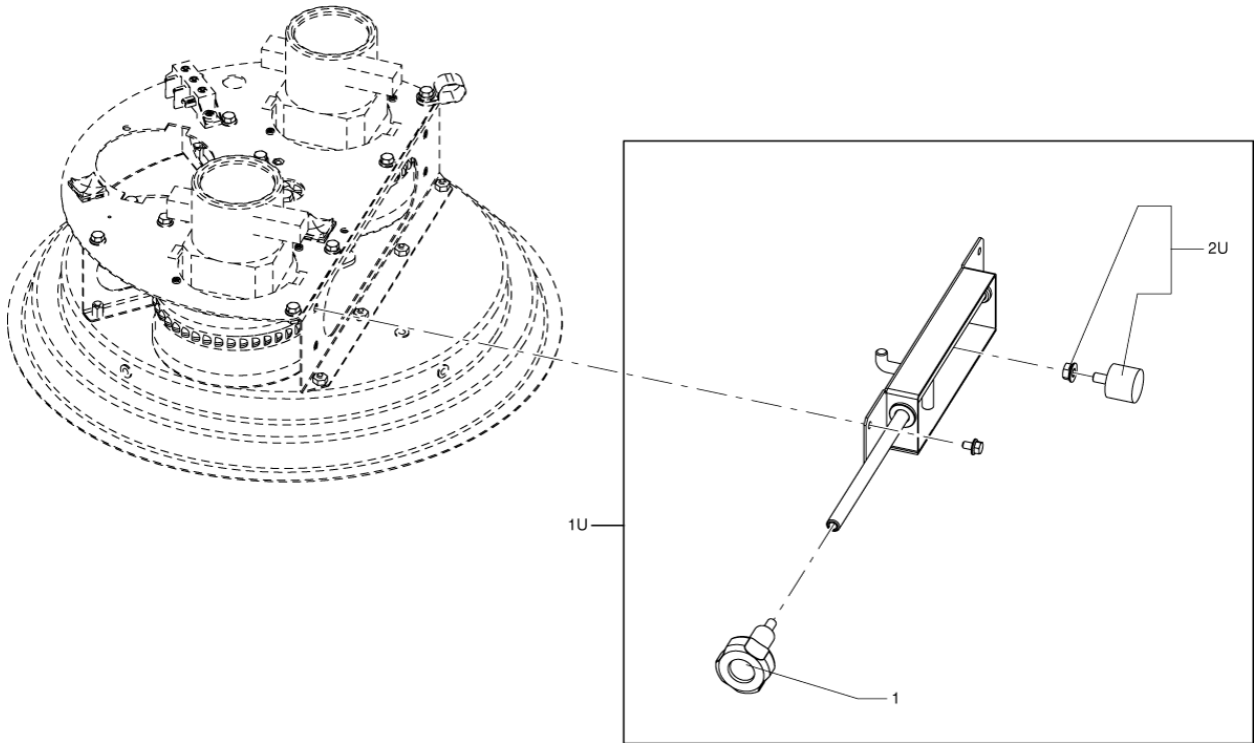
Part Notes:

[1] - V230

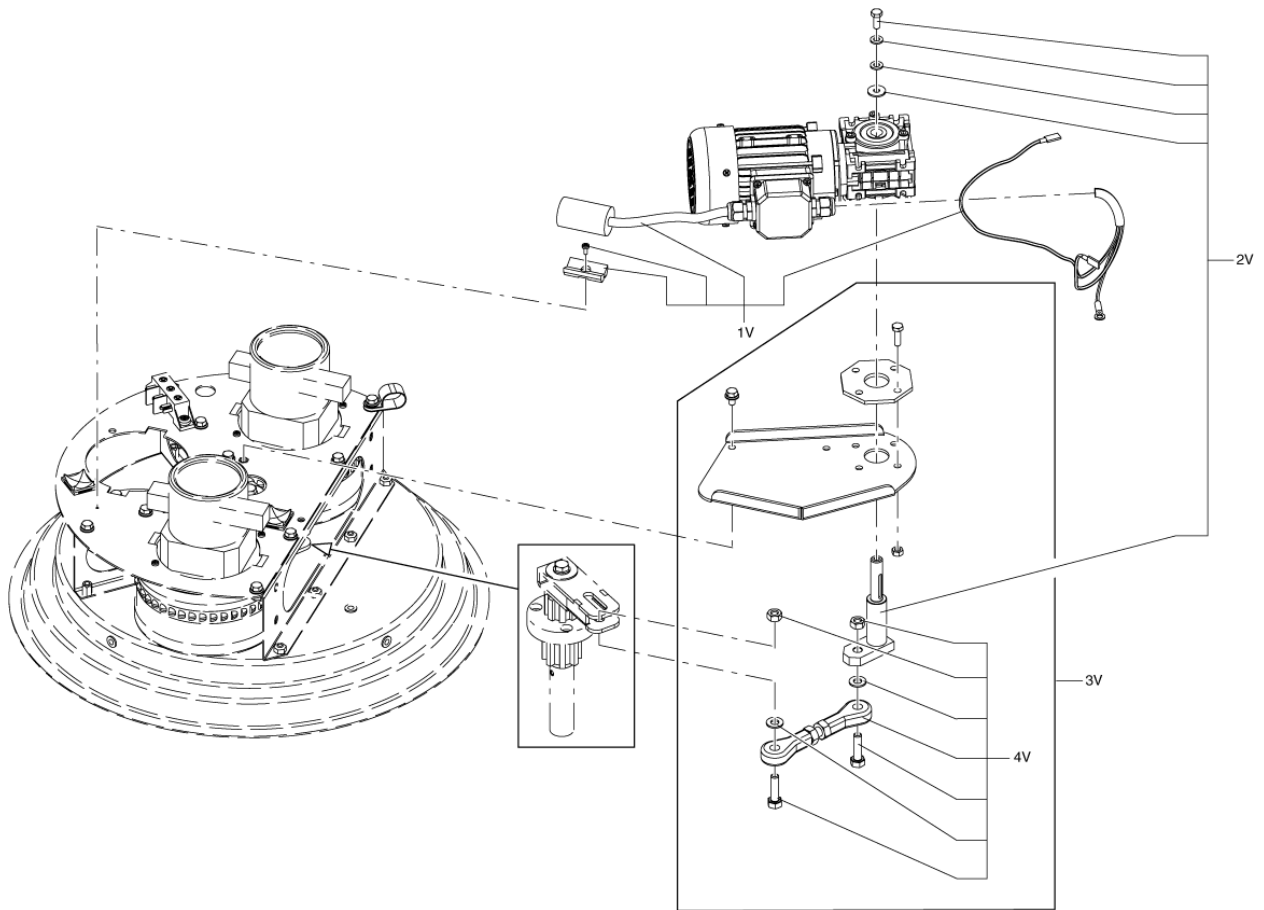
[2] - V110



Pos.	Artikel-Nr.	Menge	Variante	Notes
01T	40000905	1	CABLE KIT FOR MOTORHEAD	



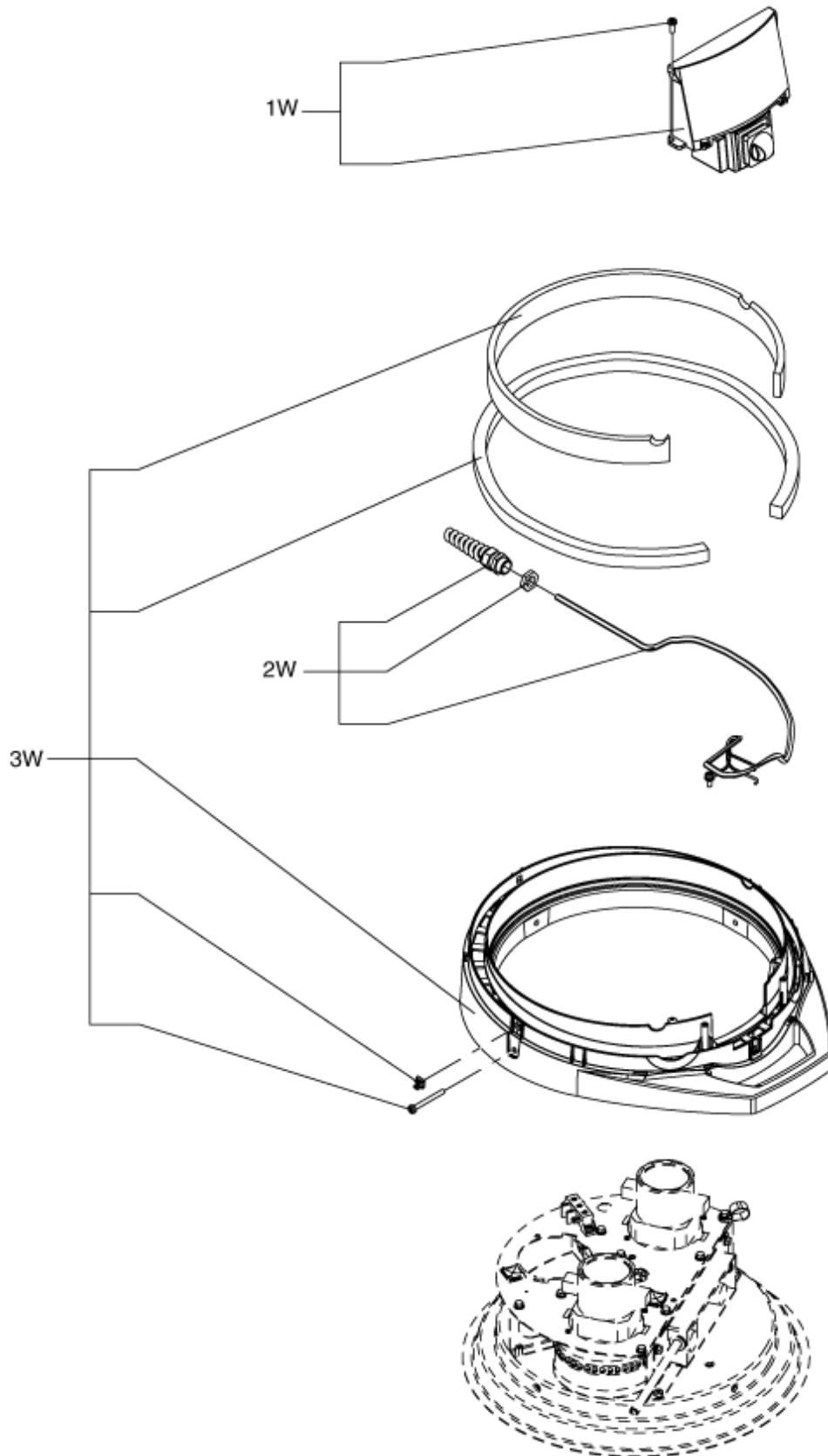
Pos.	Artikel-Nr.	Menge	Variante	Notes
01	4084001012	1	Griffknopf für Schüttel-	
01U	40000906	1	FILTERSHAKER KIT	
02U	40000907	1	PUFFER KIT	



Pos.	Artikel-Nr.	Menge	Variante	Notes
01V	4085600142	1	MOTORREDUCERXSE D460 S2-S3	
01V	4085600143	1	MOTOR RED.SE D460 M.S2-S3V110 UK	
02V	40000920	1	GEARMOTOR SHAFT KIT	
03V	40000918	1	GEARMOTOR FIXING KIT	[1]
04V	40000919	1	FILTERSHAKER JOINT KIT	

Part Notes:

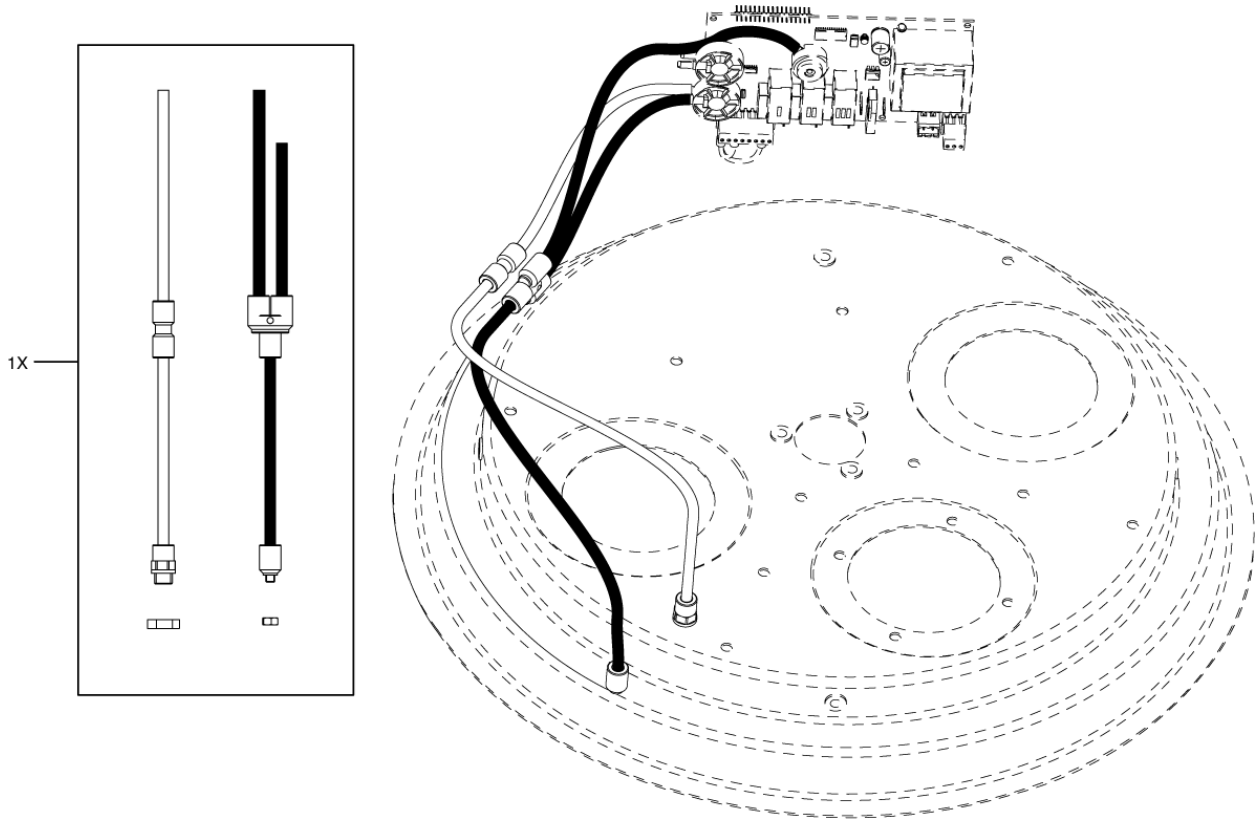
[1] - CONTACT PM IN ZOCCA



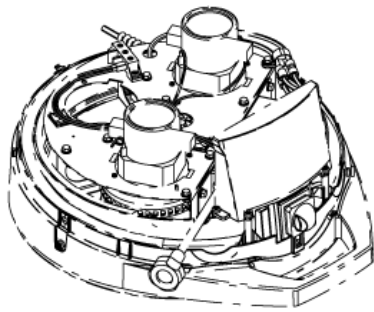
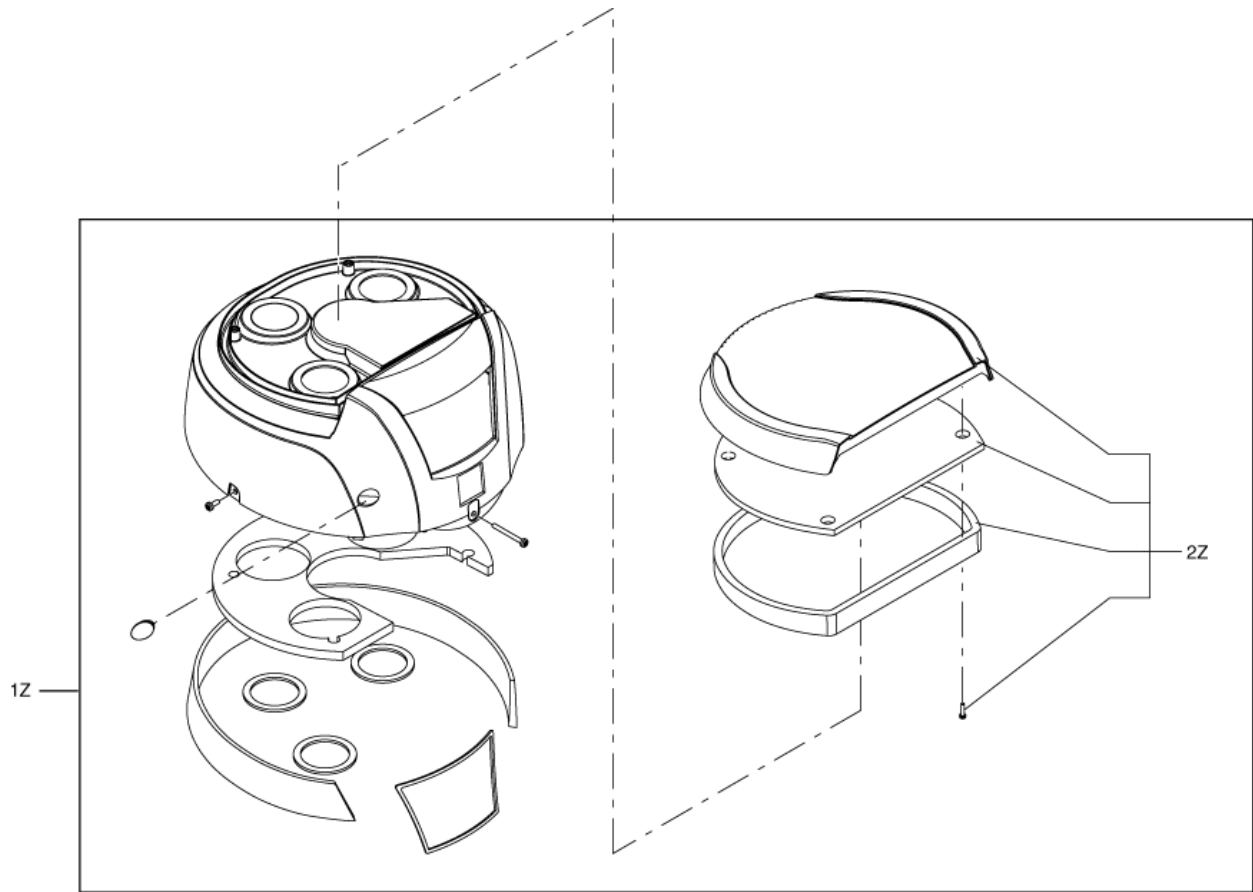
Pos.	Artikel-Nr.	Menge	Variante	Notes
01W	40000912	1	Bedientastatur	[1]
01W	40000911	1	KEYBOARD KIT 2 MOTORS 110V UK	[2]
02W	40000913	1	CABLE KIT V230 UK	[3]
02W	40000909	1	Kabel-Kit 230V EU	[1]
02W	40000910	1	S2B CABLE KIT V110 UK	[2]
03W	40000908	1	Luftverteiler	

Part Notes:

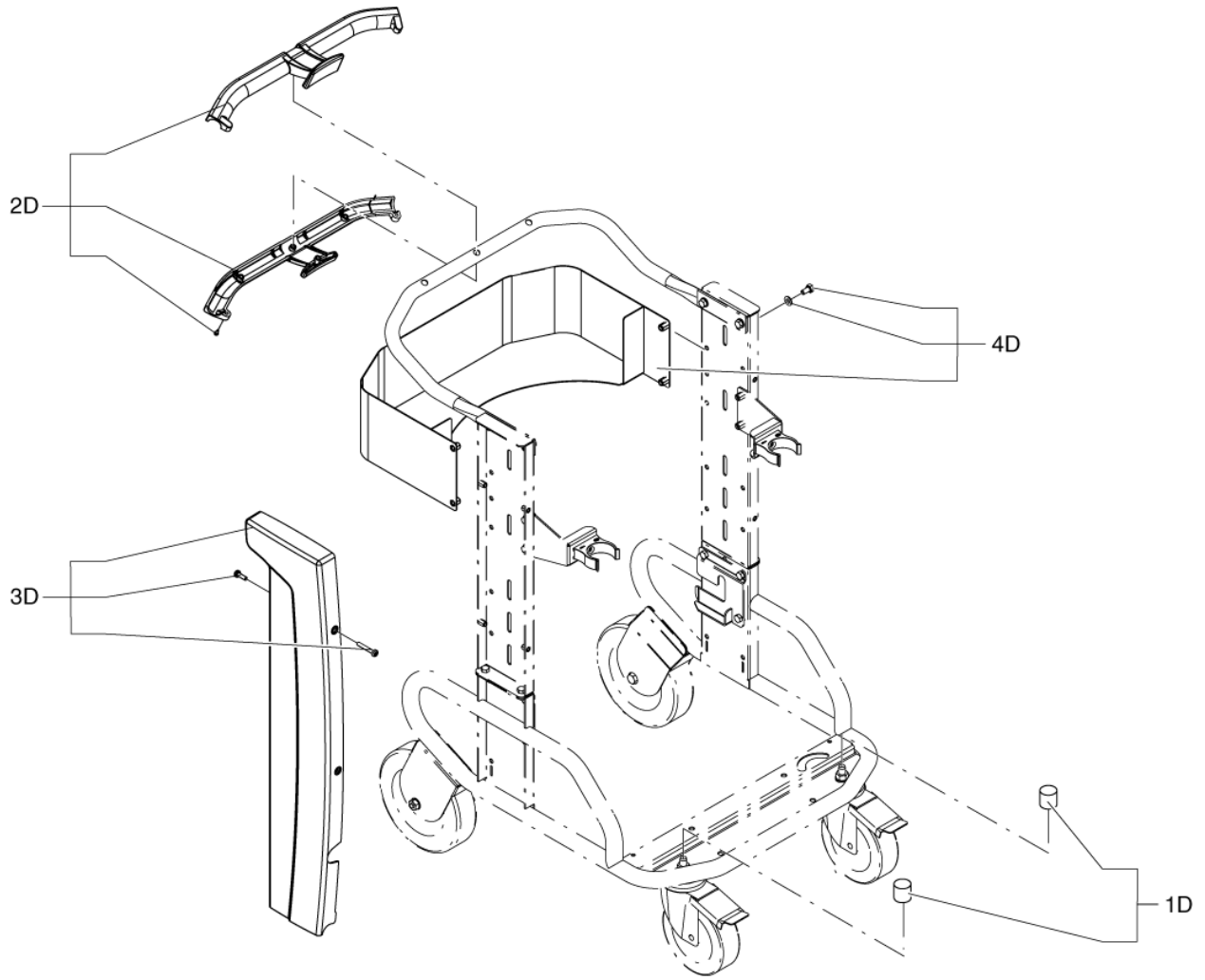
- [1] - V230 EU
- [2] - V110 UK
- [3] - V230 UK



Pos.	Artikel-Nr.	Menge	Variante	Notes
01X	40000914	1	FILTER SENSOR HOSE KIT	



Pos.	Artikel-Nr.	Menge	Variante	Notes
01Z	40000917	1	Deckelkit	
02Z	40000916	1	Kit Abdeckung Lufteinzug	



Pos.	Artikel-Nr.	Menge	Variante	Notes
01D	40000870	1	Schutzhelme - Kit	
02D	40000855	1	Griffkit	
03D	40000864	1	Verkleidung	
04D	40000893	1	Zubehörsatz Kit	

