

PARTS LIST



Hotline: 0 73 03 / 901 980

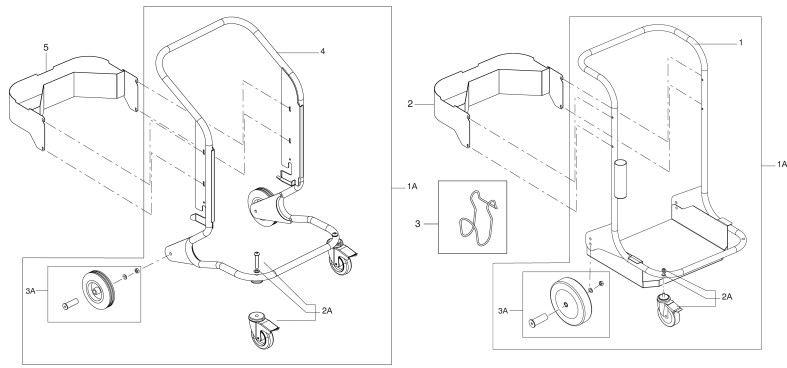
Zur Aumühle 36 | 89257 Illertissen
Tel.: 0 73 03 / 901 980 | Fax 0 73 03 / 901 981 8
info@wap-nilfisk-alto-shop.de

www.wap-nilfisk-alto-shop.de

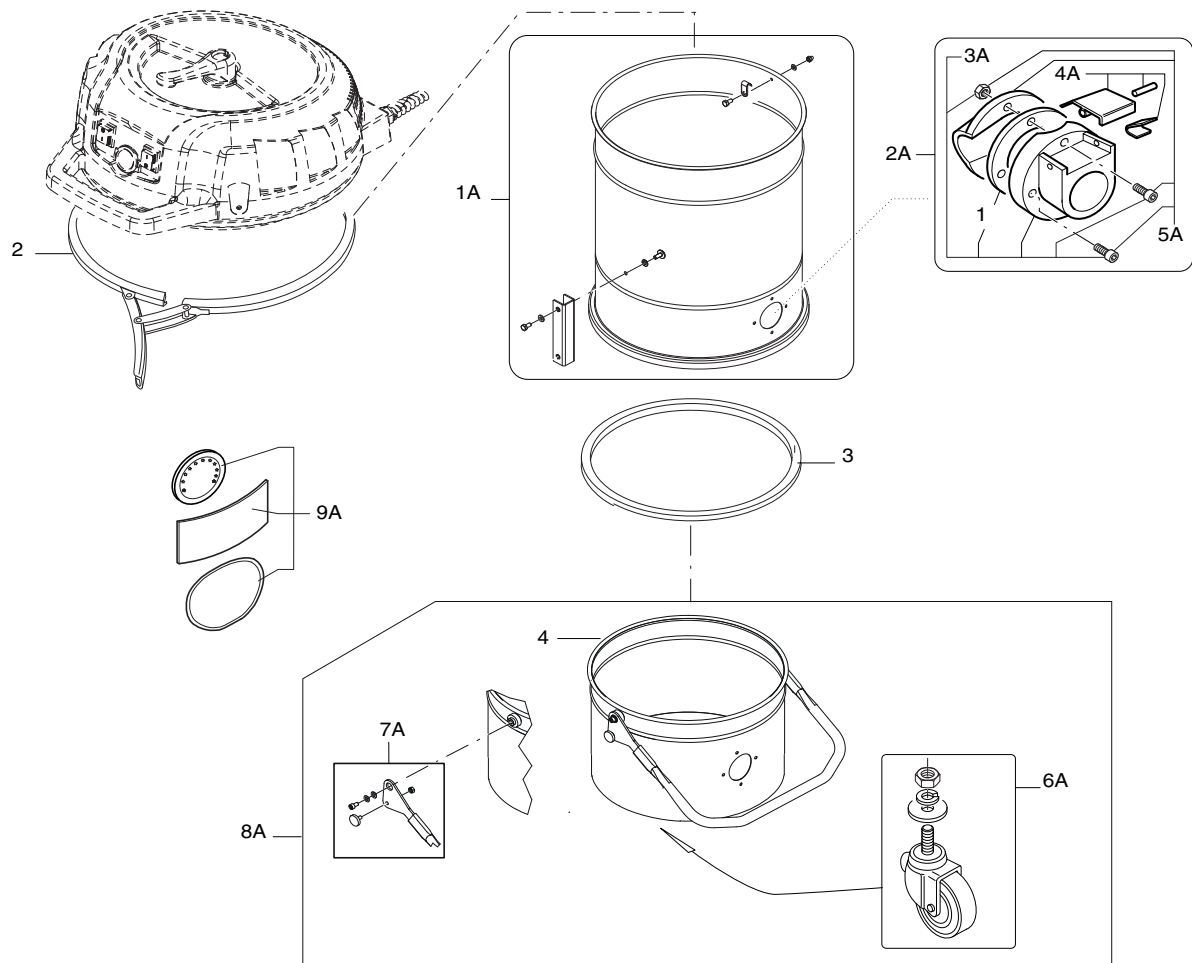
2022.09.06

TABLE OF CONTENTS

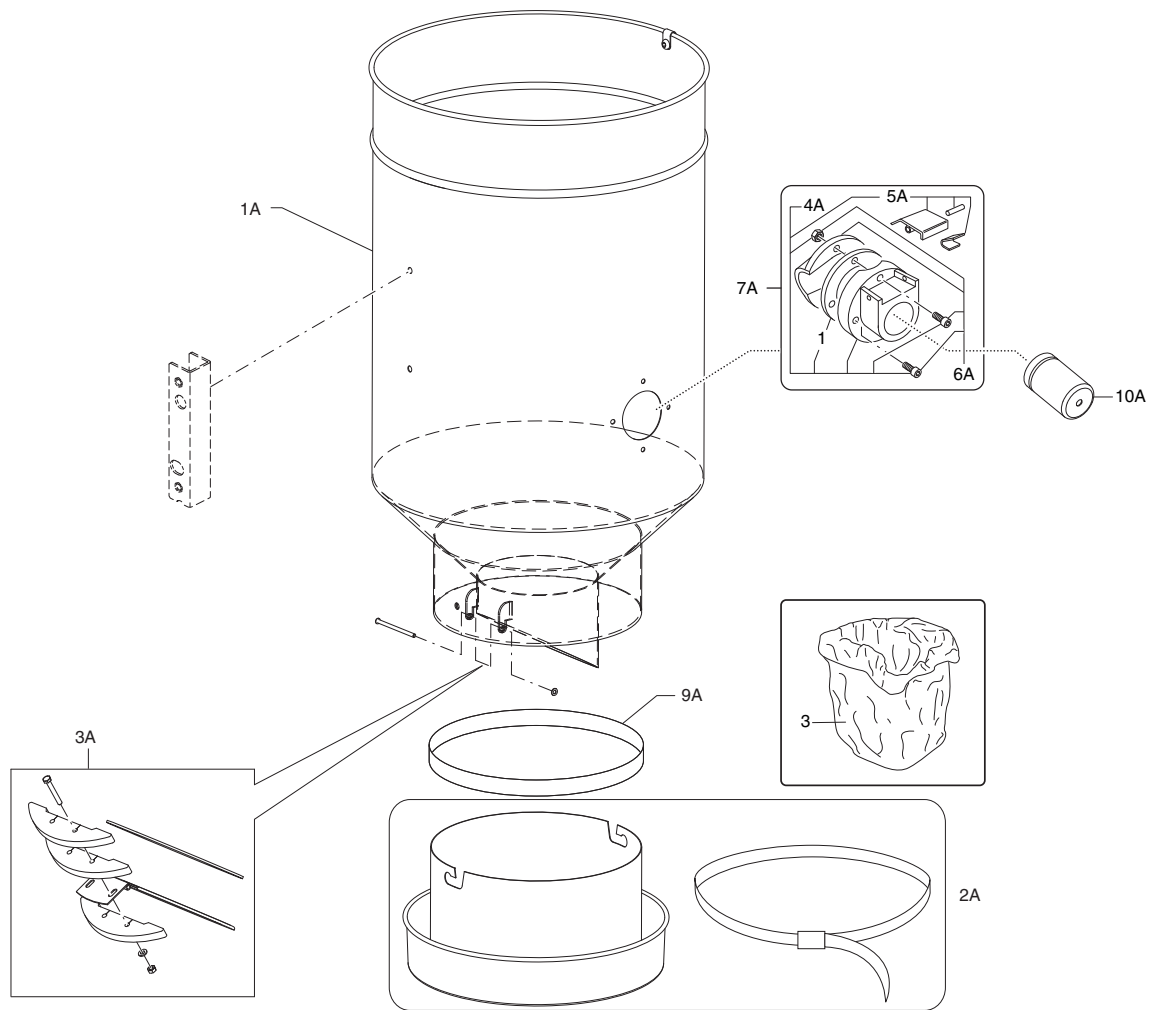
L243 - 1 - TROLLEY	1
L243 - 2 - CONTAINER UNIT	3
L243 - 3 - LONGOPAC CONTAINER GROUP	5
L243 - 4 - FILTER GROUP	7
L243 - 5 - LIQUID CONTAINER GROUP	9
L243 - 6 - SUCTION HEAD	11



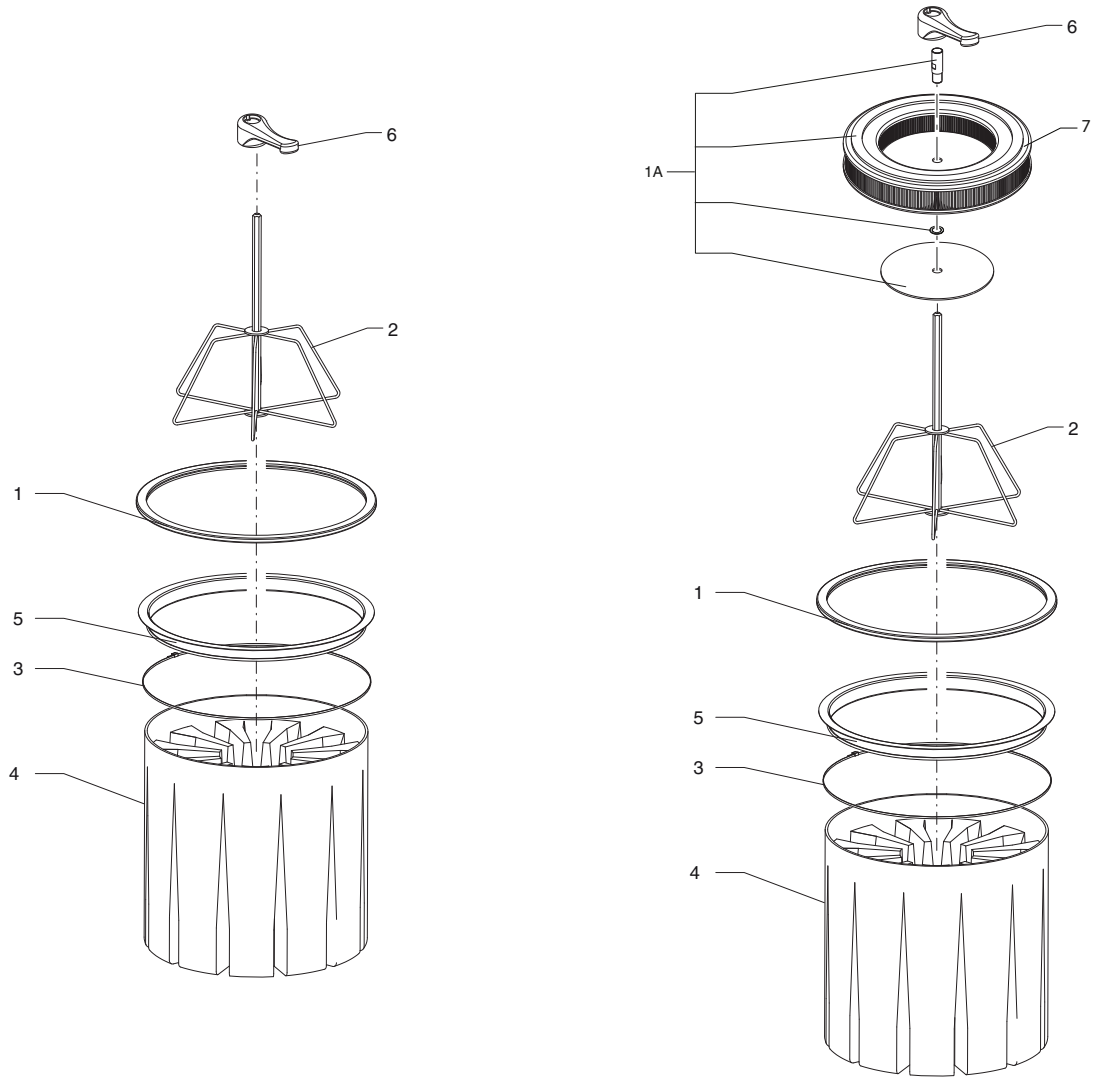
Pos.	Artikel-Nr.	Menge	Variante	Notes
1	4083600912	1	TROLLEY (HC-MC)	
2	4081601058	1	ACCESSORIES BASKET FOR BDC 122	
3	82219800	1	Netzkabelhacken	
4	4083600849	1	TROLLEY VHS110 RAL 7016	
5	4081601059	1	ACCESSORIES BASKET FOR VHS120	
1A	4089100784	1	KIT TROLLEY MOD.VHS	
1A	4083600915	1	TROLLEY COMPLETE MOD.VHS120 SINGLE-PHASE	
2A	4089100354	2	REVOLV. CASTOR KIT	
3A	4089100939	2	KIT FREE WHEEL MOD.VHW120	
3A	4089100960	2	KIT FREE WHEEL D200 MOD.VHW120	



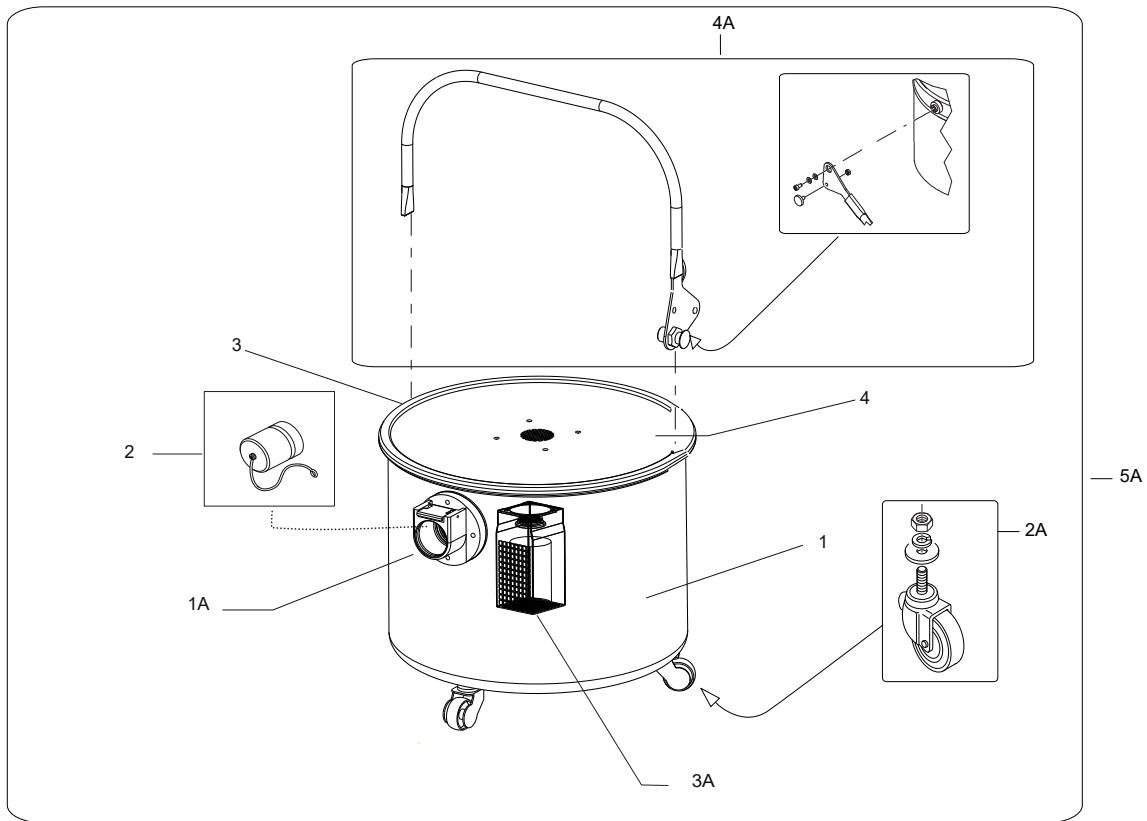
Pos.	Artikel-Nr.	Menge	Variante	Notes
1	Z8 17005	1	Anschlussdichtung D50	
2	4083600861	1	Spannring	
3	4081701238	1	FILTER SILICONE SEAL D390 VHS110FILTER SILICONE SEAL D390 VHS110	
3	4081100183	1	JOINT RING GASKET D400	
4	4083000864	1	CONTAINER D400X315 VHS110 SSCONTAINER D400X315 VHS110 SS	
4	4083000867	1	CONTAINER L50	
1A	4089100787	1	FILTER CHAMBER KIT MOD.VHS	
2A	40000393	1	Kesselanschluß D50	
3A	40000318	1	KIT INLET FE D50	
4A	40000320	1	Arretierung f. Kessel-	
5A	4089100814	1	DEFLECTOR KIT D50 MOD.VHS CR	
6A	40000358	1	Lenkrolle kpl. f.Behälter	
7A	4089100789	1	KIT HANDLE FOR CONTAINER MOD.VHS	
8A	4083000933	1	CONTAINER COM.D400 VHS	
9A	4089100941	1	LABELS KIT VHS120	
9A	4089100954	1	LABELS KIT VHS120 USA	



Pos.	Artikel-Nr.	Menge	Variante	Notes
1	Z8 17005	1	Anschlussdichtung D50	
3	4084000956	1	Ersatzbeutel - 4 x 20 m	
1A	4089100961	1	FILTER CHAMBER KIT MOD.VHS120	
2A	4089100436	1	BAG HOLDER KIT	
3A	4089100437	1	CLAPET CLOSING KIT	
4A	40000318	1	KIT INLET FE D50	
5A	40000320	1	Arretierung f. Kessel-	
6A	4089100814	1	DEFLECTOR KIT D50 MOD.VHS CR	
7A	40000393	1	Kesselanschluß D50	
9A	4089100872	1	KIT ADHESIVE SEAL 25X3	
10A	4072100152	1	PLUG X INLET D50 COMPLETE WITH OR	



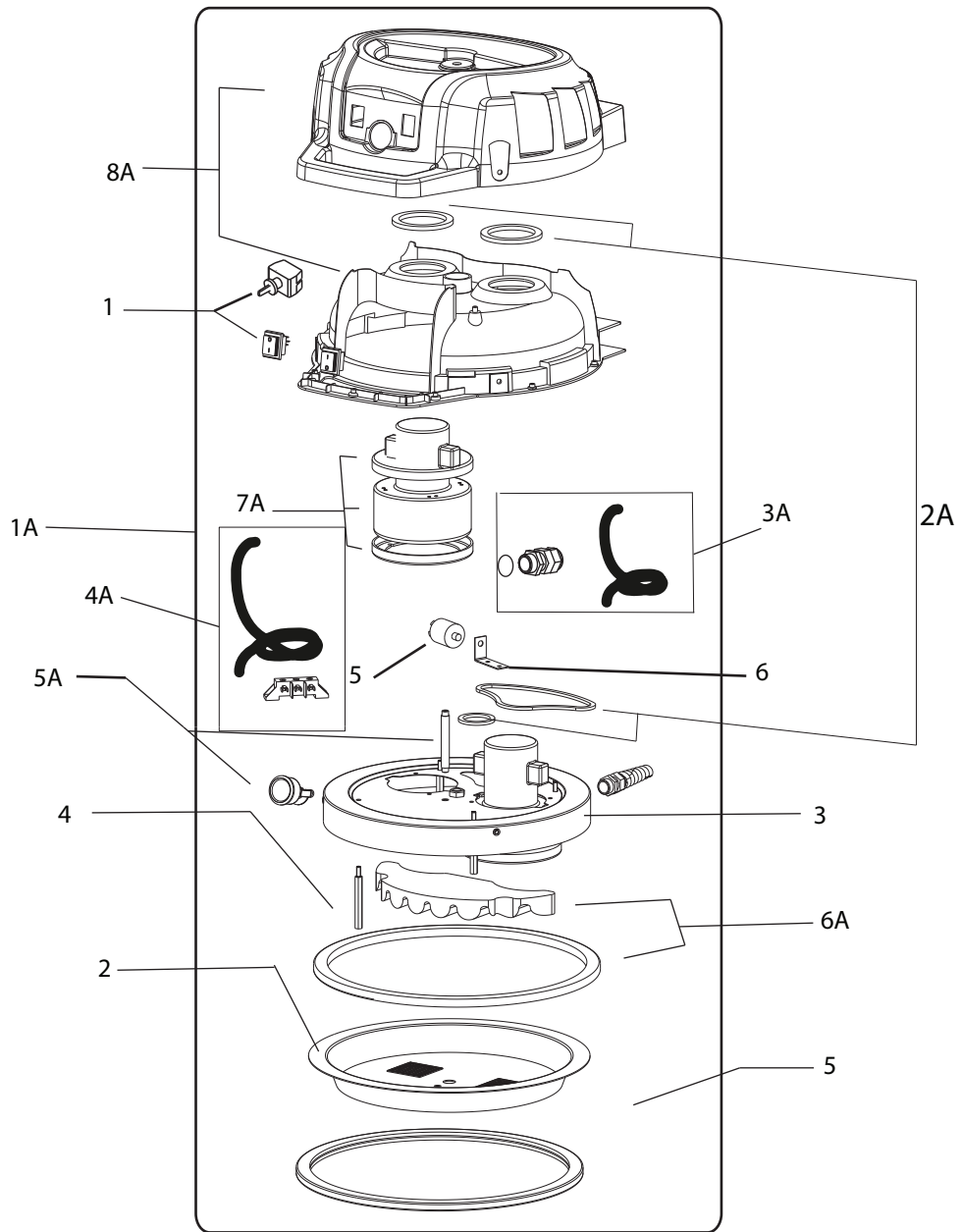
Pos.	Artikel-Nr.	Menge	Variante	Notes
1	Z8 17025	1	Dichtung D 360 schwarz Nilfisk 3156 / 11	
2	4083300452	1	8-ELEMENTS FILTER-HOLDER CAGE D400 8 FE	
3	4084001291	1	Filterschelle D400	
4	4081701391	1	M-CLASS 16-POCK. STAR FILTER D400 X 340	
4	4081701390	1	Standardfilter L-Klasse D400x340	
4	4081701393	1	M-CL. 16-POCK. SEAL. STAR FILT. D400X340	
4	4081701392	1	Nomex-Filter D400 X 340 16 PLISNOMEX STAR FILTER	
5	4081500274	1	INCREASED ZINC-PL. FILT. HOLD. RING D400	
6	4081400910	1	FILTER SHAKER HANDLE	
7	4081701384	1	ABSOLUTE FILTER HEPA 14 D.350 X 60	
1A	4056000813	1	KIT ABSOLUT FILTER MOD.VHS120	



Pos.	Artikel-Nr.	Menge	Variante	Notes
1	4083000888	1	CONTAINER D400X300 SS LIQUID KIT VHS110	
2	Z7 21071	1	PLUG X INLET D50 INOX COMPLETE	[1]
3	4081701238	1	FILTER SILICONE SEAL D390 VHS110	
4	4081200604	1	FLOAT CAGE HOLDER DISC VHS110 SS	
1A	4089100851	1	INLET COMPLETE KIT D50 MOD.VHS	
2A	4089100815	1	KIT WHEEL CONTAINER MOD.VHS CR	
3A	4089100852	1	KIT FLOAT MOD.VHS	
4A	4089100816	1	KIT HANDLE FOR CONTAINER MOD.VHS CR	
5A	4056000780	1	LIQUID KIT VHS110 CLEAN ROOM	

Part Notes:

[1] - CONTACT PM IN ZOCCA



Pos.	Artikel-Nr.	Menge	Variante	Notes
1	4083901850	2	SWITCH VHS120 EU BRIGHT GREEN	
1	4083901814	2	SWITCH VHS 2 MOTOR	
2	4081601056	1	MOTOR SUPPORT	
3	4081601055	1	MOTOR HOLDER D400 VHS120MOTOR HOLDER	
4	4081400850	4	SPACER	
5	8 39533	1	ANTI-DISTURBER	
6	8 18501	1	CONDENSER BRACKET	
1A	4089100950	1	KIT COMPLETE HEAD MOD.VHS120 V120	
1A	4089100951	1	KIT COMPLETE HEAD MOD.VHS120 800W V120	
1A	4089100948	1	KIT COMPLETE HEAD MOD.VHS120 V230	
1A	4089100949	1	KIT COMPLETE HEAD MOD.VHS120 V110 UKP	
1A	4085300431	1	TESTATA COMPLETA VHS120 230V CHP	
2A	4089100947	1	KIT JOINT HEAD MOD.VHS120	
3A	4089100955	1	POWER CABLE KIT MOD.VHS120 V120	
3A	40000909	1	Kabel-Kit 230V EU	
4A	4089100956	1	KIT CABLE MOTOR MOD.VHS120 V120	
5A	4089100945	1	KIT VACUUM GAUGE MOD.VHS120	
6A	4089100946	1	SOUND-PROOF HEAD COMPLETE VHS120 KIT	
7A	4089100957	1	KIT MOTOR MOD.VHS120 V120	
7A	4089100944	1	KIT MOTOR MOD.VHS120 V230	
8A	4081601083	1	COVER COMPLETE MOD.VHS120 EU	
8A	4081601084	1	COVER COMPLETE MOD.VHS120 USCOVER COMPLETE MOD.VHS 120 USA	

