

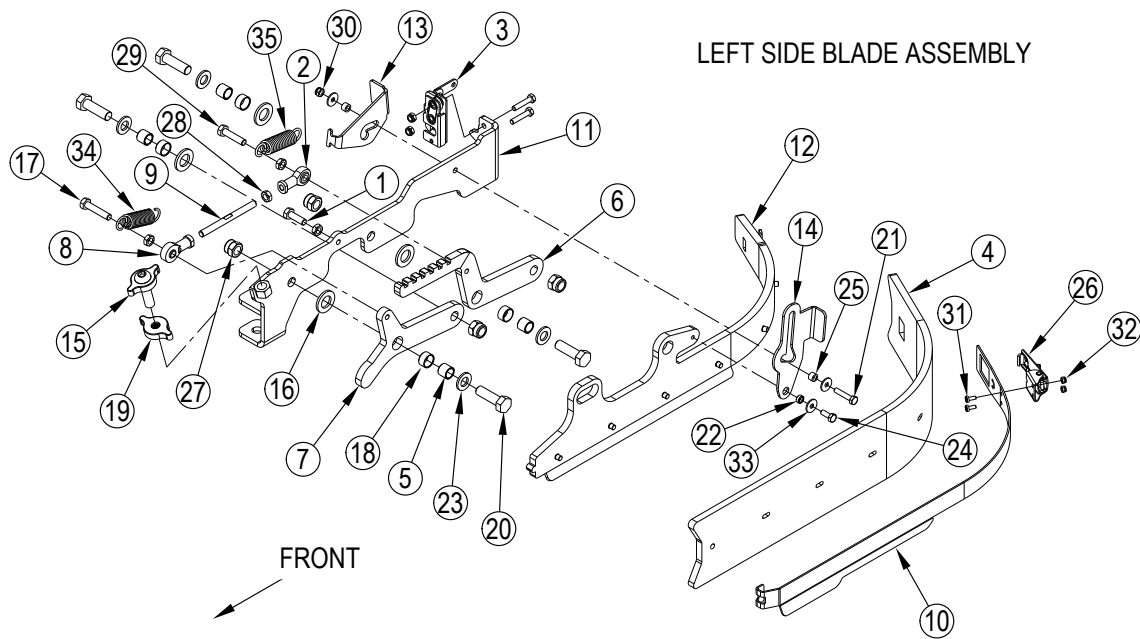
Pos.	Artikel-Nr.	Menge	Variante	Notes
1		1	Clamp 290x4.8	[1]
2		4	Screw M8x25 Hex Hd F/Thd Ss	[2]
3		2	Screw Soc. Hd M5x12 Ss	[3]
4		4	Nut, Hex Nyl Loc Hvy M8	[4]
5		4	Washer, Flat 8.4x16x1.6	[4]
6		4	Scr M12x40 Hex 10.9 Iso4017	[5]
7		4	Ring, Ret Ext Type E Reinf. 0.25 Dia	[6]
8		2	Clevis Pin	[6]
9		1	Pin-Clevis .375 X 2.25	[7]
10		1	Pin- Bow-Tie Cotter 7/16 - 1/2	[7]
11		1	Pin-Bow Tie Cotter 3/4	[8]
12	56116069	1	CYLINDRICAL SCRUB DECK WELDT	
13		4	Bushing-12.5x16x14.48mm	[5]
14		2	Bushing-Lift Arm Pivot	[8]
15		2	Cylindrical Drive Housing Assy	
16		2	Bearing-Flange-20x23x7mm	[8]
17		1	Deck Lift Arm Assembly	[8]
17a		1	Rod End-Spherical-18mm-Male	[8]
17b		1	Lift Arm Weldment	[8]
18		1	Valve-Solenoid-36vdc	[9]
19		2	Deck Trailing Arm Assembly	[5]
19a		8	Bearing-Flange-16x18x6mm	[5]
20	56116468	1	HOSE-SOLUTION FEED-CYLINDRICAL	
21	56116483	1	HOPPER ASSEMBLY-36IN	
22	56116523	1	SIDE BLADE ASSEMBLY-RIGHT	
23	56116524	1	SIDE BLADE ASSEMBLY-LEFT	
24		2	Idler Assembly	
25		2	Latch-Draw	[10]
26		4	Bearing-Flange-12x14x9mm	[2]
27		4	Bushing	[2]
28		1	Pin-Clevis 18x50 Iso2341-B	[8]
29		1	Pin-Clevis 10x70 Iso2341-B	[7]
30		2	Plate-Stop	[4]
31		1	Actuator Assembly-Complete	
32		2	Wheel 3.00 X 1.25	[6]
33		2	Roller, Rear	[6]
34		2	Pin	[6]
35		3	Hair Pin Cotter A2,5	[11]
36		4	Washer, Flat 13.0x24.0x2.5 Ss	[5]
37		4	Washer 8x24x2 Uni6593 Ss	[2]
38		12	Nut, Hex Nyl Loc M8 Ss	[12]
39		4	Screw M8x30 Carriage	[4]
40		4	Nut, Hex Nyl Loc M12 S.S.	[5]
41		2	Screw M10x25 Hex Hd F/Thd	[8]
42		4	Nut, Hex Nyl Loc Thin M5 Ss	[10]
43		4	Scr,Pan Phil M5x16 Ss	[10]
44	56116032	1	CAP-HUB	
45		1	Seal-Oil	[13]
46		1	Housing-Cylindrical Deck Idler	[14]
47		1	Lug-Cylindrical Deck Drive	[15]
48		1	Shaft Assembly-Idler	[14]
49		1	Screw M6x20 Hex Hd F/Thd Ss	[15]
50		1	Washer Flat XI 6.6x24.0x2.0 Ss	[15]
51		2	Ring D 40 Uni7437	[14]
52		1	Key 5x5x30 Din6885	[15]
53		1	Sheave 95mm-8 Rib	[16]
54		1	Belt-Self Tension-8 Rib	[17]
55		1	Sheave 1.50in-8 Rib	[16]
56		1	Housing-Cylindrical Drive	[12]

Pos.	Artikel-Nr.	Menge	Variante	Notes
57		1	Seal-Oil	[12]
58		1	Lug-Cylindrical Deck Drive	[15]
59		1	Cover-Belt Housing	[18]
60	56116159	1	MOTOR-36VDC-1900RPM-1HP	
	56422152	1	KIT WHEEL DRIVE BRUSHES	
61		1	Gasket-Cyl Drive Housing	[18]
62		1	Shaft Assembly-Brush	[12]
63		5	Screw M6x20 Hex Hd F/Thd Ss	[19]
64		1	Washer Flat XI 6.6x24.0x2.0 Ss	[15]
65		4	Screw M6x1.0x10 Soc.Set Cylindrical	[16]
66		9	Screw M5x16 Hex Hd F/Thd Ss	[18]
67		2	Ring D 40 Uni7437	[12]
68		3	Key 5x5x30 Din6885	[20]
69		1	Hopper-36 Inch	
70		1	Screen-Hopper-36in	[21]
71		1	Threshold-Hopper-36in	
72		2	Washer Flat XI 6.6x24.0x2.0 Ss	[21]
73		7	Scr, Pan Phil M6x16 Ss	
74		7	Nut, Hex Nyl Loc Thin M6 Ss	
75		2	Scr,Pan Phil M5x16 Ss	[21]
76		1	Clamp, Hose 15-24 Size8	[3]
			Service Kits	
K1	56116881	1	LIFT ARM KIT-CENTER	[22]
K2	56116882	1	TRAILING ARM KIT-BOTH SIDES	[23]
K10	56116928	1	STOP KIT-BOTH SIDES	[24]
K13	56118038	1	HARDWARE KIT-ACTUATOR	[25]
K16	56116875	1	SOLENOID VALVE KIT	[26]
K17	56116891	1	SOLENOID SEAL KIT	[27]
K18	56116877	1	LATCH KIT-BOTH SIDES	[28]
K19	56116879	1	HOPPER FLOOR KIT	[29]
K20	56116880	1	ROLLER KIT-CYLINDRICAL DECK	[30]
K21	56116885	1	BELT KIT-BOTH SIDES	[31]
K22	56116886	1	DRIVE HOUSING KIT	[32]
K23	56116890	1	HUB KIT	[33]
K24	56116887	1	SHEAVE KIT	[34]
K25	56116888	1	DRIVE COVER KIT-BOTH SIDES	[35]
K26	56116889	1	IDLER HOUSING KIT	[36]
K29	56116876	1	PIVOT HARDWARE KIT-BOTH SIDES	[37]
K30	56116992	1	HARDWARE KIT-ELECTRICAL	

Part Notes:

- [1] - K3+
- [2] - K29
- [3] - K16
- [4] - K10
- [5] - K2
- [6] - K20
- [7] - K13
- [8] - K1
- [9] - K16,K17
- [10] - K18
- [11] - K20,K13
- [12] - K22
- [13] - K26
K26
- [14] - K26
- [15] - K23
- [16] - K24
- [17] - K21

- [18] - K25
- [19] - K22, K23
- [20] - K23, K24
- [21] - K19
- [22] - K1 includes pos. 14,16,17,17a,17b,41
- [23] - K2 includes pos.6,13,19,19a,36
- [24] - K10 includes pos.5,6,30,39
- [25] - K13 includes pos.9,10,29
- [26] - K16 includes pos.3,18,76
- [27] - K17 includes pos.18
- [28] - K18 includes pos.25,42,43
- [29] - K19 includes pos.70,72,75
- [30] - K20 includes pos.7,8,32,33,34
- [31] - K21 includes pos.54
- [32] - K22 includes pos.56,57,62,63,67
- [33] - K23 includes pos.52,58,63,64,68
- [34] - K24 includes pos.55,65,68
- [35] - K25 includes pos.59,61
- [36] - K26 includes pos.45,46,51
- [37] - K29 includes pos. 2,26,27,37

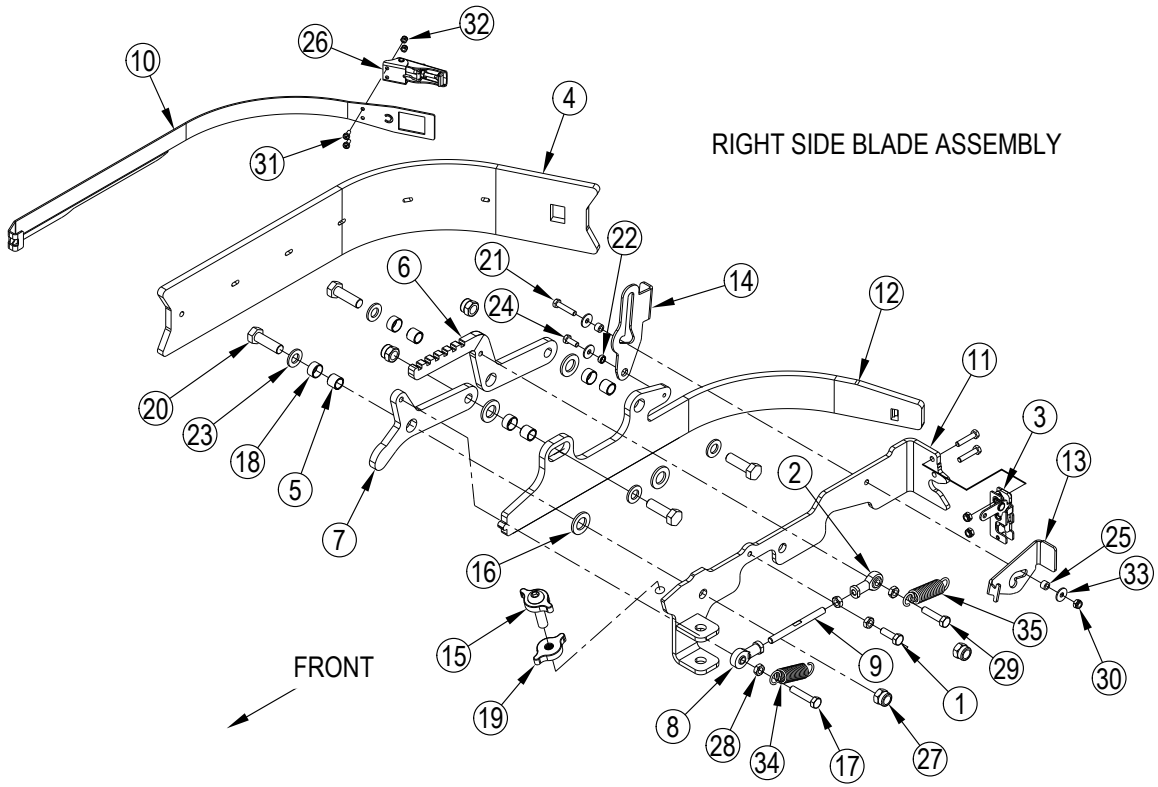


Pos.	Artikel-Nr.	Menge	Variante	Notes
	56116524	1	SIDE BLADE ASSEMBLY-LEFT	
1		1	Screw M8x25 Hex Hd F/Thd Ss	[1]
2		1	Joint M8	[2]
3		1	Latch Rotary	[3]
4		1	Blade-Deck-Red Gum	[4]
		1	Blade-Deck-PU	[5]
5		4	Bushing-Sleeve-.507x.625x.527	[5]
6	56116233	1	ARM-SIDE BLADE-REAR	
7	56116234	1	ARM-SIDE BLADE-FRONT	
8		1	Rod End-M8-Lh	[2]
9		1	Rod-Threaded	[2]
10		1	Strap-Cyl Side Blade-Left	[6]
11	56116526	1	SIDE BLADE MOUNT WELDT-LEFT	
12	56116653	1	SIDE BLADE SUPPORT WELDT-LEFT	
13	56116661	1	CLIP-SPRING ADJUSTMENT-LEFT	
14	56116663	1	LATCH-DOUBLE SCRUB-LEFT	
15		1	Knob Assembly	[7]
16		4	Washer17x30x3 Iso7089 SS	[5]
17		1	Screw M8x40 Uni5739 SS	
18		4	Bearing, .719 X .625 X .375	[5]
19		1	Knob	[7]
20		4	Screw M12x40 A2 Din93	[5]
21		3	Screw M6x30 Hex Hd F/Thd SS	[5]
22		1	Spacer 6.5x10x4.5	[5]
23		4	Washer, Flat 13.0x24.0x2.5 SS	[5]
24		1	Screw M6x16 Hex Hd F/Thd SS	[5]
25		2	Spacer 6.1 X 10 X 6.5	[5]
26		1	Latch Squeegee	[6]
27		4	Nut, Hex Nyl Loc M12 S.S.	[5]
28		4	Nut Hex M8 Uni5589 Ss	[1]
29		1	Screw M8x35 Hex Hd F/Thd SS	[2]
30		3	Nut, Hex Nyl Loc Thin M6 SS	[5]
31		2	Scr, Pan Phil M4x10 Ss	[6]
32		2	Nut, Hex Nyl Loc Thin M4 SS	[6]
33		3	Washer Flat XI 6x18x1.5 – SS	[5]
34	56116239	1	SPRING-EXTENSION-0.75X2.96IN	
35	56116846	1	SPRING-EXTENSION 0.75X3.00IN	
			Service Kits	
K4	56116979	1	LATCH KIT	[8]
K8	56116981	1	LEVEL ADJUST KIT-SIDE WIPER	[9]
K9	56116983	1	KNOB KIT-SIDE WIPER	[10]
K12	56116982	1	HARDWARE KIT-SIDE WIPER	[11]
K14	56116706	1	SIDE BLADE KIT-RED GUM	[12]
K15	56116709	1	SIDE BLADE KIT-PU	[13]
K27	56116984	1	CYLINDER STRAP KIT-BOTH SIDES	[14]

Part Notes:

- [1] - K8, K12
- [2] - K8
- [3] - K14
- [4] - K15
- [5] - K12
- [6] - K27
- [7] - K9
- [8] - K4 includes pos. 3
- [9] - K8 includes pos. 1,2,8,9,17,28,29
- [10] - K9 includes pos. 15,19
- [11] - K12 includes pos. 1,5,16,18,20-25,27,28,29,33
- [12] - K14 includes pos. 4

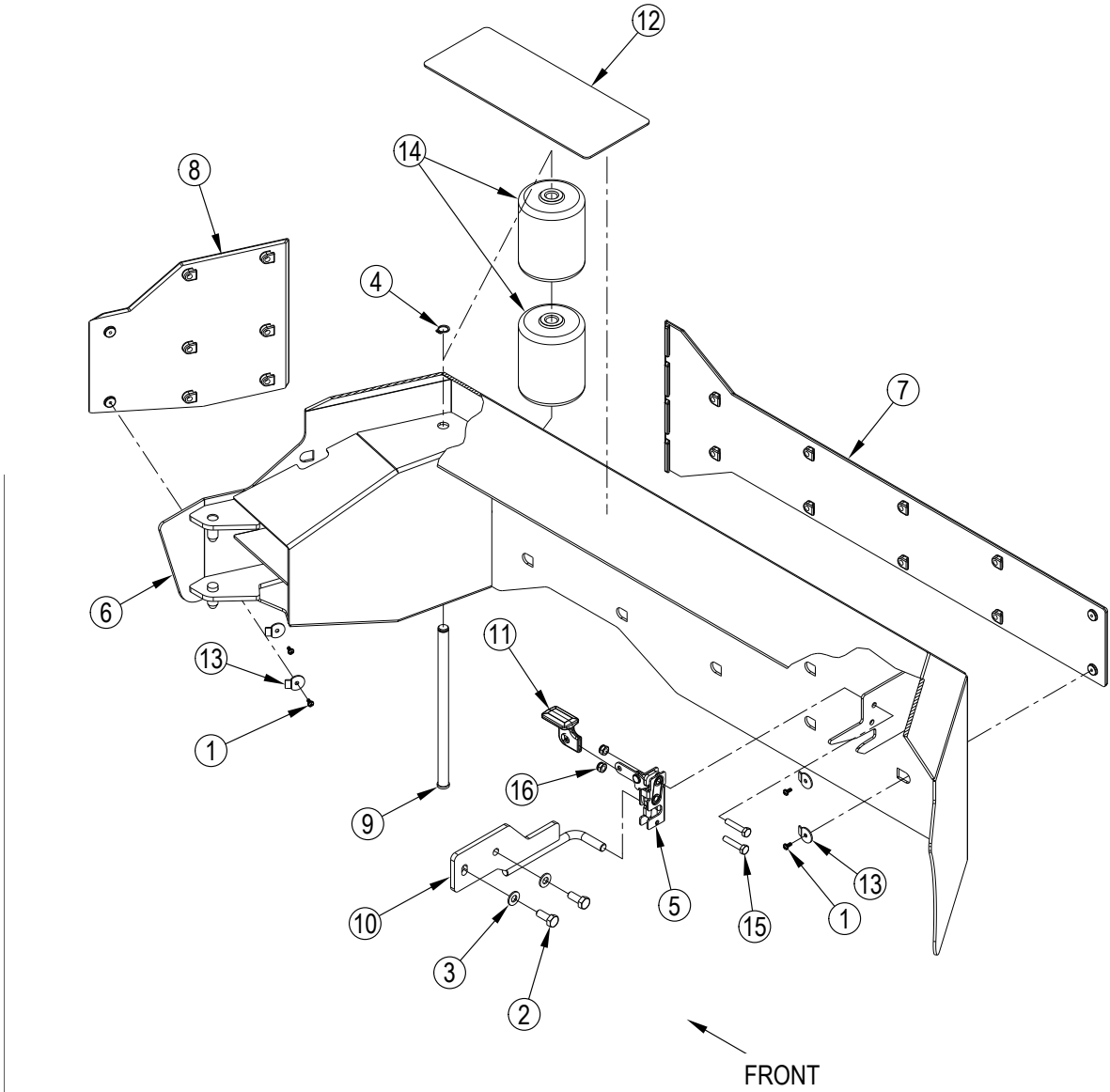
- [13] - K15 includes pos. 4
- [14] - K27 includes pos. 10,26,31,32



Pos.	Artikel-Nr.	Menge	Variante	Notes
	56116523	1	SIDE BLADE ASSEMBLY-RIGHT	
1		1	Screw M8x25 Hex Hd F/Thd Ss	[1]
2		1	Joint M8	[2]
3		1	Latch Rotary	[3]
4		1	Blade-Deck-Red Gum	[4]
		1	Blade-Deck-PU	[5]
5		4	Bushing-Sleeve-.507x.625x.527	[6]
6	56116233	1	ARM-SIDE BLADE-REAR	
7	56116234	1	ARM-SIDE BLADE-FRONT	
8		1	Rod End-M8-Lh	[2]
9		1	Rod-Threaded	[2]
10		1	Strap-Cyl Side Blade-Right	
11	56116525	1	SIDE BLADE MOUNT WELDT-RIGHT	
12	56116652	1	SIDE BLADE SUPPORT WELDT-RIGHT	
13	56116660	1	CLIP-SPRING ADJUSTMENT-RIGHT	
14	56116662	1	LATCH-DOUBLE SCRUB-RIGHT	
15		1	Knob Assembly	[7]
16		4	Washer17x30x3 Iso7089 SS	[6]
17		1	Screw M8x40 Uni5739 SS	[2]
18		4	Bearing, .719 X .625 X .375	[6]
19		1	Knob	[7]
20		4	Screw M12x40 A2 Din93	[6]
21		3	Screw M6x30 Hex Hd F/Thd SS	[6]
22		1	Spacer 6.5x10x4.5	[6]
23		4	Washer, Flat 13.0x24.0x2.5 SS	[6]
24		1	Screw M6x16 Hex Hd F/Thd SS	[6]
25		2	Spacer 6.1 X 10 X 6.5	[6]
26		1	Latch Squeegee	[8]
27		4	Nut, Hex Nyl Loc M12 S.S.	[6]
28		4	Nut Hex M8 Uni5589 Ss	[1]
29		1	Screw M8x35 Hex Hd F/Thd SS	[2]
30		3	Nut, Hex Nyl Loc Thin M6 SS	[6]
31		2	Scr, Pan Phil M4x10 Ss	[8]
32		2	Nut, Hex Nyl Loc Thin M4 SS	[8]
33		3	Washer Flat XI 6x18x1.5 – SS	[6]
34	56116239	1	SPRING-EXTENSION-0.75X2.96IN	
35	56116846	1	SPRING-EXTENSION 0.75X3.00IN	
			Service Kits	
K4	56116979	1	LATCH KIT	
K8	56116981	1	LEVEL ADJUST KIT-SIDE WIPER	
K9	56116983	1	KNOB KIT-SIDE WIPER	
K12	56116982	1	HARDWARE KIT-SIDE WIPER	
K14	56116706	1	SIDE BLADE KIT-RED GUM	
K15	56116709	1	SIDE BLADE KIT-PU	
K27	56116984	1	CYLINDER STRAP KIT-BOTH SIDES	

Part Notes:

- [1] - K8, K12
- [2] - K8
- [3] - K4
- [4] - K14
- [5] - K15
- [6] - K12
- [7] - K9
- [8] - K27



Pos.	Artikel-Nr.	Menge	Variante	Notes
1		4	Ejot 3.5x8 Wn1411	[1]
2		2	Screw M8x20 Hex Hd F/Thd	[2]
3		2	Washer, Flat 8.4x16x1.6	[3]
4		1	Shaft Ring D.12	[4]
5		1	Latch Rotary	[5]
6	56118094	1	DOOR WELDMENT KIT	[6]
7		1	Skid Plate-Right-34d	[1]
8		1	Skid Plate-Right-Front-36c	[1]
9		1	Pin-Door Roller	[4]
10	56118096	1	STRIKER KIT-RIGHT-CYLINDRICAL	[7]
10		1	Striker Weldment-Door-Rt-36c	[8]
11		1	Handle-Latch	[5]
12	56116720	1	MAT-DOOR	
13		4	Washer-Tab	[1]
14		2	Wheel, Roller	[4]
15		2	Screw M6x30 Hex Hd F/Thd Ss	[5]
16		2	Nut, Hex Nyl Loc Thin M6 Ss	[5]
			Service Kits	
K4	56116979	1	LATCH KIT	
K5	56116980	1	ROLLER KIT-BOTH DOORS	
K6	56116899	1	STRIKER KIT-RIGHT	
K7	56116900	1	SKID PLATE KIT	

Part Notes:

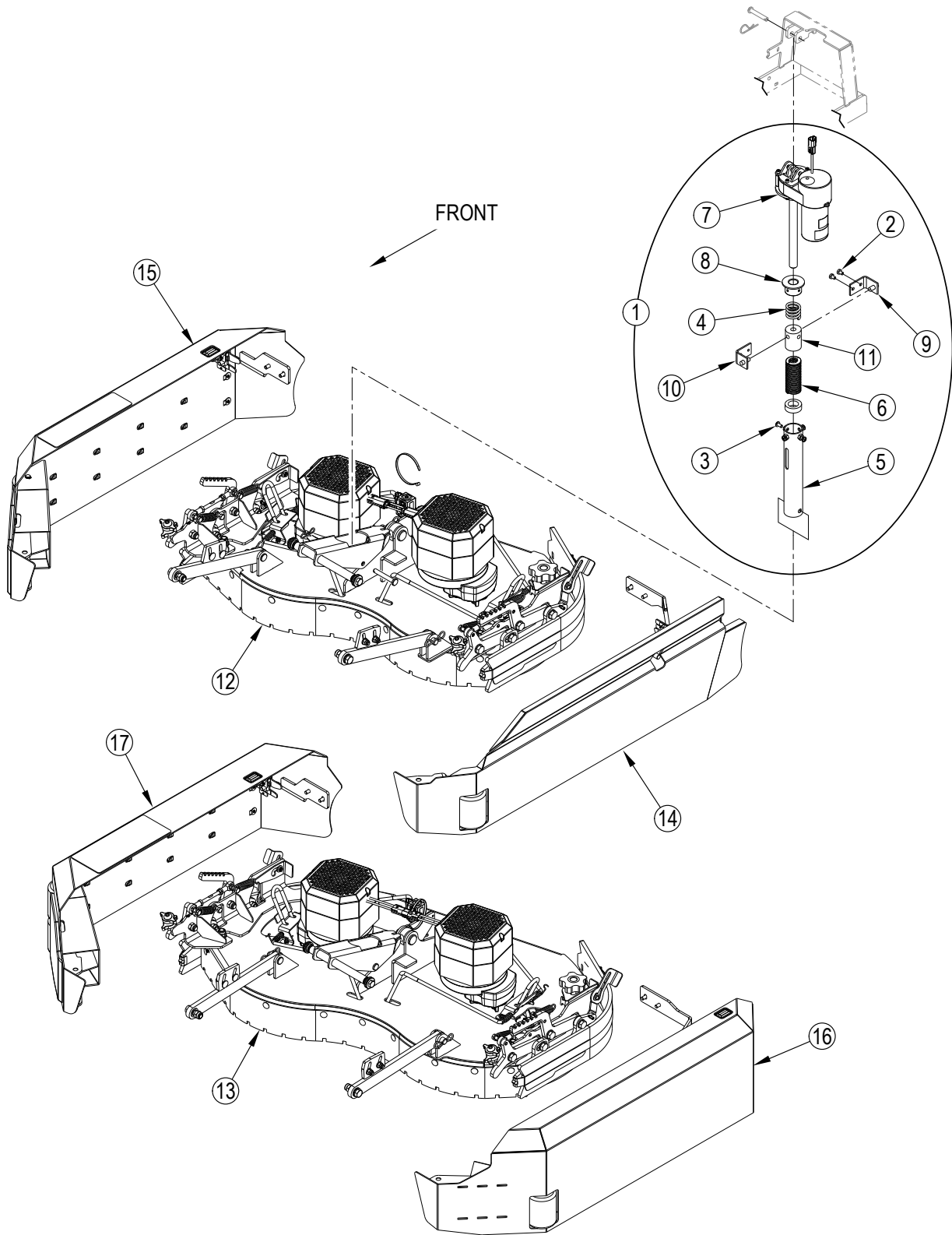
- [1] - K7
- [2] - K6, K8
- [3] - K6
- [4] - K5
- [5] - K4

[6] - Right Door Weldment 56116419 and Right Striker Kit 56116899 have been replaced in production with Right Door Weldment 56118092 and Striker Kit 56118096. If you need to replace 56116419 please order Door Weldment Kit 56118094 to replace the door and striker.

[7] - K6

Right Door Weldment 56116419 and Right Striker Kit 56116899 have been replaced in production with Right Door Weldment 56118092 and Striker Kit 56118096. If you need to replace 56116419 please order Door Weldment Kit 56118094 to replace the door and striker.

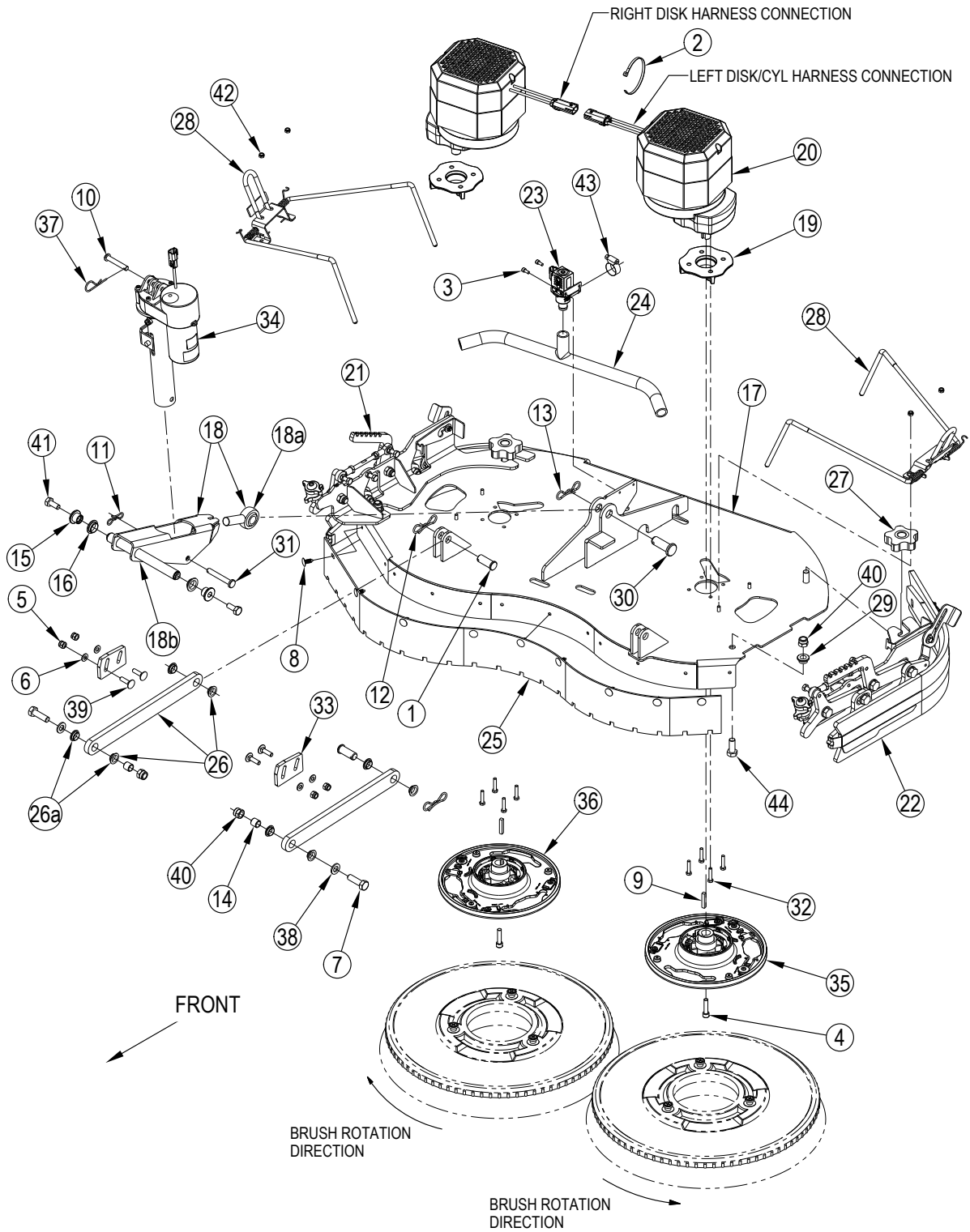
[8] - K8



Pos.	Artikel-Nr.	Menge	Variante	Notes
1		1	Complete Actuator Assembly	
2		2	Scr, Hex Thd Form 1/4-20 X0.38	[1]
3		4	Scr, Pan Phil Thd Form 1/4-20x .50	[1]
4		1	Spring-Compression 1.40x1.40in	[1]
5		1	Spring Housing Weldment	[1]
6		1	Spring-Compression-1.44x3.50 In	[1]
7	56118041	1	ACTUATOR ASSEMBLY-HEAVY DUTY	[1]
8		1	Spring Housing Guide	[1]
9		1	Nut Retainer	[1]
10		1	Nut Retainer	[1]
11	56388520	1	Spindelmutter	[1]
12		1	Disc Deck Assembly-34d	
13		1	Disc Deck Assembly-40d	
14		1	Door Assembly-Left-34d	
15		1	Door Assembly-Right-34d	
16		1	Door Assembly-Left-40d/36c	
17		1	Door Assembly-Right-40d	
			Service Kits	
K1	56118048	1	SPRING HOUSING KIT-ACTUATOR	

Part Notes:

[1] - K1

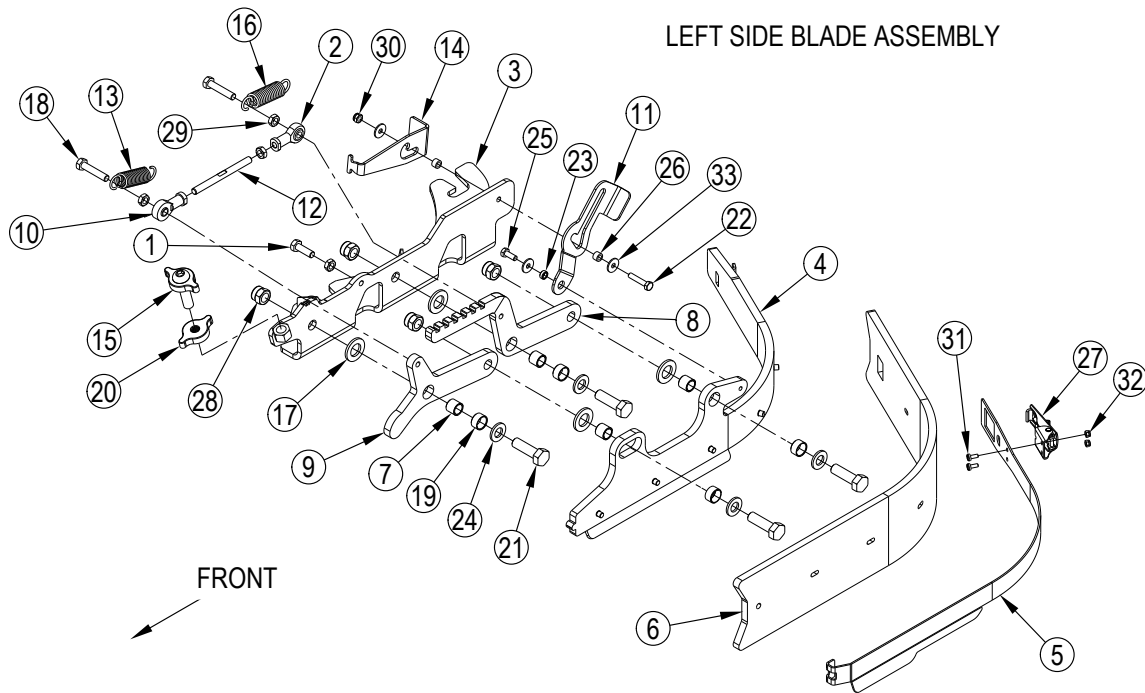


Pos.	Artikel-Nr.	Menge	Variante	Notes
1		2	Pin D.16	[1]
2		1	Clamp 290x4.8	[2]
3		2	Screw Soc. Hd M5x12 SS	[3]
4		2	Screw Soc. Hd M8x35 SS	[4]
5		4	Nut, Hex Nyl Loc Hvy M8	[5]
6		4	Washer, Flat 8.4x16x1.6	[5]
7		2	Screw M12x40 Hex Hd F/Thd - 12k	[1]
8		9	Rivet, Nylon Tree Push-In (.25)	[6]
9		2	Key, Square .25 X 1.44	[4]
10		1	Pin-Clevis .375 X 2.25	[7]
11		1	Pin- Bow-Tie Cotter 7/16 - 1/2	[7]
12		2	Pin-Bow Tie Cotter 5/8	[1]
13		1	Pin-Bow Tie Cotter 3/4	[8]
14		2	Bushing-12.5x16x14.48mm	[1]
15		2	Bushing-Lift Arm Pivot	[8]
16		2	Bearing-Flange-20x23x7mm	[8]
17	56116201	1	SCRUB DECK WELDMENT-34D	[9]
17	56116200	1	SCRUB DECK WELDMENT-40D	[10]
18		1	Deck Lift Arm Assembly	[8]
18a		1	Rod End-Spherical-18mm-Male	[8]
18b		1	Lift Arm Weldment	[8]
19	56116212	2	SPACER-MOTOR	
20	56116213	2	GEARMOTOR-36VDC-250RPM-1.0HP	
	56422152	1	KIT WHEEL DRIVE BRUSHES	
21	56116214	1	SIDE BLADE ASSEMBLY-RIGHT	
22	56116215	1	SIDE BLADE ASSEMBLY-LEFT	
23		1	Valve-Solenoid-36vdc	[11]
24	56116249	1	HOSE-SOLUTION FEED-DISC	
25	56116252	1	BLADE-FRONT 34D	
	56116250	1	Gummileiste vorne 40D	
26		2	Deck Trailing Arm Assembly	[1]
26a		8	Bearing-Flange-16x18x6mm	[1]
27	56116545	2	KNOB-M12-LOBE	
28	56116755	2	CLICK-ON ASSEMBLY-34D	[9]
28	56116756	2	CLICK-ON ASSEMBLY-40D	[10]
29		2	Bushing	[4]
30		1	Pin-Clevis 18x50 Iso2341-B	[8]
31		1	Pin-Clevis 10x70 Iso2341-B	[7]
32		8	Screw M6x30 Uni5737 SS	[4]
33		2	Plate-Stop	[5]
34		1	Actuator Assembly-Complete	
35	56601276	1	BRUSH PLATE ASSEMBLY	
35		1	Clamp, Hose 15-24 Size8	[3]
36	56601384	1	Bürstenaufnahme kpl.	
37		1	Hair Pin Cotter A2,5	[7]
38		2	Washer, Flat 13.0x24.0x2.5 SS	[1]
39		4	Screw M8x30 Carriage Iso8677	[5]
40		4	Nut, Hex Nyl Loc M12 S.S.	[12]
41		2	Screw M10x25 Hex Hd F/Thd	[8]
42		4	Nut, Hex Nyl Loc Thin M6 SS	[4]
43		1	Clamp, Hose 15-24 Size8	[3]
44		2	Screw M12x30 Iso4017 Ss	[4]
			Service Kits	
K1	56116881	1	LIFT ARM KIT-CENTER	
K2	56116882	1	TRAILING ARM KIT-BOTH SIDES	
K10	56116928	1	STOP KIT-BOTH SIDES	
K12	56116982	1	HARDWARE KIT-SIDE WIPER	
K13	56118038	1	HARDWARE KIT-ACTUATOR	
K16	56116875	1	SOLENOID VALVE KIT	

Pos.	Artikel-Nr.	Menge	Variante	Notes
K17	56116891	1	SOLENOID SEAL KIT	
K30	56118050	1	RIVET KIT	
K32	56116994	1	HARDWARE KIT-DISK DECK	
K33	56116992	1	HARDWARE KIT-ELECTRICAL	

Part Notes:

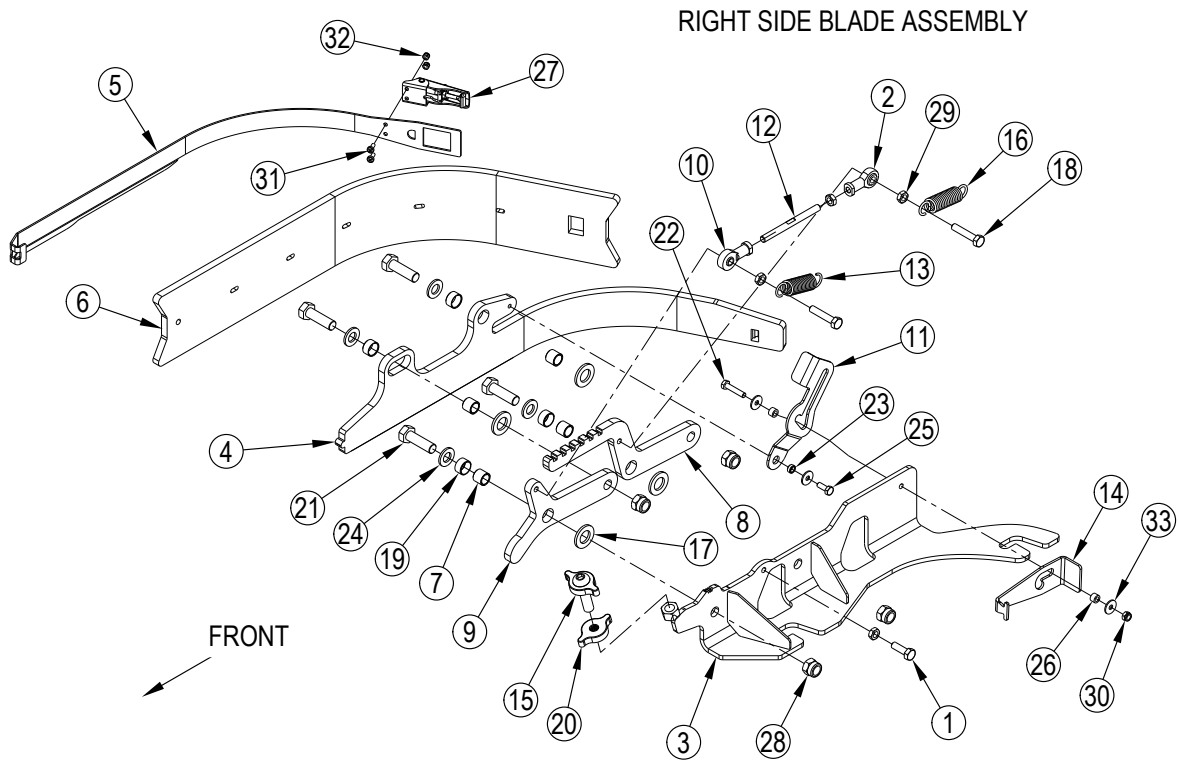
- [1] - K2
- [2] - K33
- [3] - K16
- [4] - K32
- [5] - K10
- [6] - K30
- [7] - K13
- [8] - K1
- [9] - 860D
- [10] - 1050D
- [11] - K16,K17
- [12] - K2,K32



Pos.	Artikel-Nr.	Menge	Variante	Notes
	56116215	1	SIDE BLADE ASSEMBLY-LEFT	
1		1	Screw M8x25 Hex Hd F/Thd SS	[1]
2		1	Joint M8	[2]
3	56116217	1	SIDE BLADE MOUNT WELDMENT-LEFT	
4	56116223	1	SIDE BLADE SUPPORT WELDT-LEFT	
5		1	Strap-Side Blade-Left	[3]
6		1	Blade-Deck-Red Gum	[4]
6		1	Blade-Deck-PU	[5]
7		4	Bushing-Sleeve-.507x.625x.527	[6]
8	56116233	1	ARM-SIDE BLADE-REAR	
9	56116234	1	ARM-SIDE BLADE-FRONT	
10		1	Rod End-M8-Lh	[2]
11	56116237	1	LATCH-DOUBLE SCRUB-LEFT	
12		1	Rod-Threaded	[2]
13	56116239	1	SPRING-EXTENSION-0.75X2.96IN	
14	56116240	1	CLIP-SPRING ADJUSTMENT	
15		1	Knob Assembly	[7]
16	56116846	1	SPRING-EXTENSION 0.75X3.00IN	
17		4	Washer 17x30x3 Iso7089 SS	[6]
18		2	Screw M8x40 Uni5739 SS	[1]
19		4	Bearing, .719 X .625 X .375	[6]
20		1	Knob	[8]
21		4	Screw M12x40 A2 Din93	[6]
22		1	Screw M6x30 Hex Hd F/Thd SS	[6]
23		1	Spacer 6.5x10x4.5	[6]
24		4	Washer, Flat 13.0x24.0x2.5 SS	[6]
25		1	Screw M6x16 Hex Hd F/Thd SS	[6]
26		2	Spacer 6.1 X 10 X 6.5	[6]
27		1	Latch Squeegee	[3]
28		4	Nut, Hex Nyl Loc M12 S.S.	[6]
29		4	Nut Hex M8 Uni5589 SS	[1]
30		1	Nut, Hex Nyl Loc Thin M6 SS	[6]
31		2	Scr, Pan Phil M4x10 SS	[3]
32		2	Nut, Hex Nyl Loc Thin M4 SS	[3]
33		3	Washer Flat XI 6x18x1.5 - SS	[6]
			Service Kits	
K8	56116981	1	LEVEL ADJUST KIT-SIDE WIPER	
K9	56116983	1	KNOB KIT-SIDE WIPER	
K12	56116982	1	HARDWARE KIT-SIDE WIPER	
K14	56116706	1	SIDE BLADE KIT-RED GUM	
K15	56116709	1	SIDE BLADE KIT-PU	
K31	56116929	1	DISK STRAP KIT-BOTH SIDES	

Part Notes:

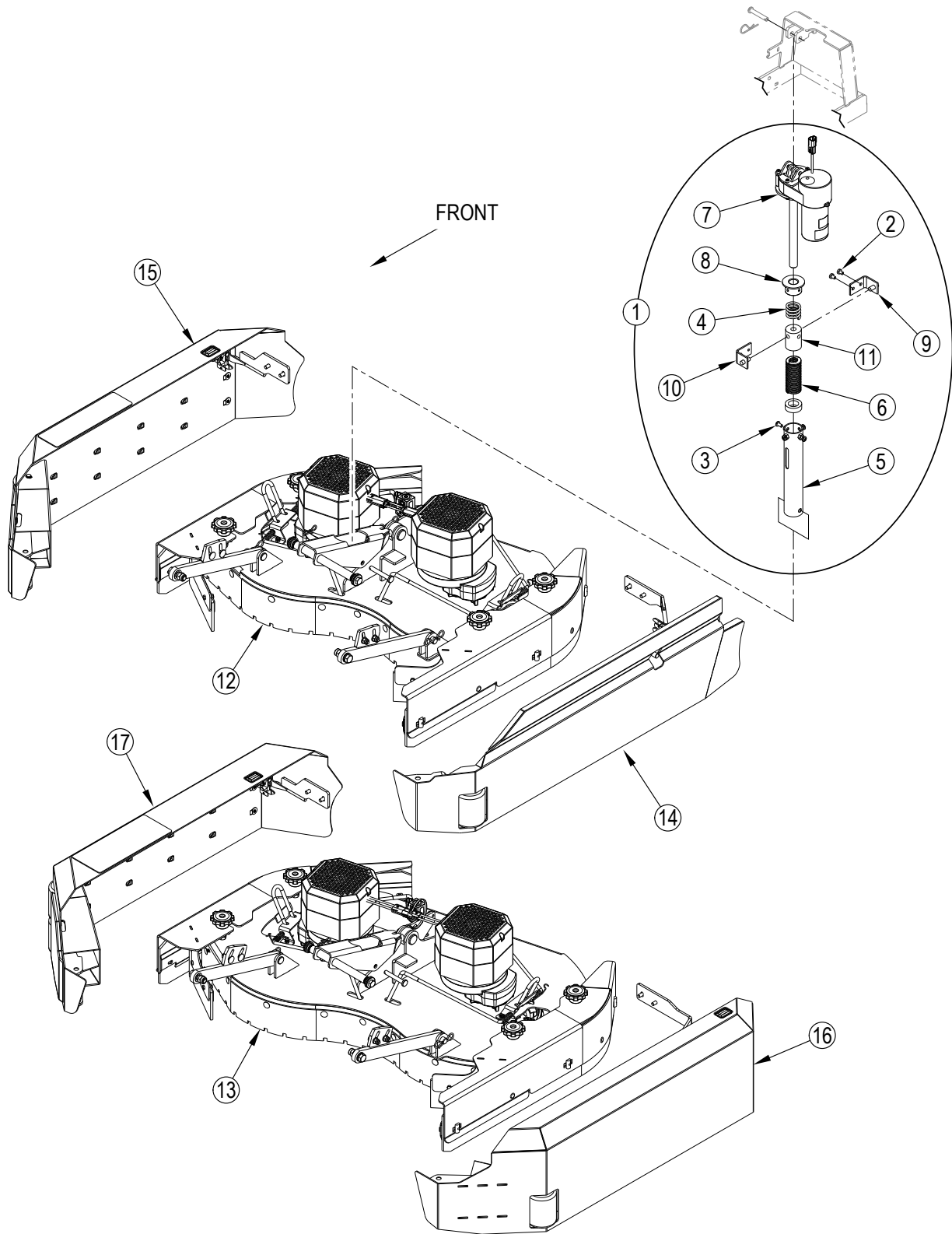
- [1] - K8,K12
- [2] - K8
- [3] - K31
- [4] - K14
- [5] - K15
- [6] - K12
- [7] - K9
- [8] - K9,K12



Pos.	Artikel-Nr.	Menge	Variante	Notes
	56116214	1	SIDE BLADE ASSEMBLY-RIGHT	
1		1	Screw M8x25 Hex Hd F/Thd SS	[1]
2		1	Joint M8	[2]
3	56116216	1	SIDE BLADE MOUNT WELDMENT-RT	
4	56116222	1	SIDE BLADE SUPPORT WELDT-RIGHT	
5		1	Strap-Side Blade-Right	[3]
6		1	Blade-Deck-Red Gum	[4]
6		1	Blade-Deck-PU	[5]
7		4	Bushing-Sleeve-.507x.625x.527	[6]
8	56116233	1	ARM-SIDE BLADE-REAR	
9	56116234	1	ARM-SIDE BLADE-FRONT	
10		1	Rod End-M8-Lh	[1]
11	56116236	1	LATCH-DOUBLE SCRUB-RIGHT	
12		1	Rod-Threaded	[1]
13	56116239	1	SPRING-EXTENSION-0.75X2.96IN	
14	56116240	1	CLIP-SPRING ADJUSTMENT	
15		1	Knob Assembly	[7]
16	56116846	1	SPRING-EXTENSION 0.75X3.00IN	
17		4	Washer 17x30x3 Iso7089 SS	[6]
18		2	Screw M8x40 Uni5739 SS	[1]
19		4	Bearing, .719 X .625 X .375	[6]
20		1	Knob	[8]
21		4	Screw M12x40 A2 Din93	[6]
22		1	Screw M6x30 Hex Hd F/Thd SS	[6]
23		1	Spacer 6.5x10x4.5	[6]
24		4	Washer, Flat 13.0x24.0x2.5 SS	[6]
25		1	Screw M6x16 Hex Hd F/Thd SS	[6]
26		2	Spacer 6.1 X 10 X 6.5	[6]
27		1	Latch Squeegee	[3]
28		4	Nut, Hex Nyl Loc M12 S.S.	[6]
29		4	Nut Hex M8 Uni5589 SS	[1]
30		1	Nut, Hex Nyl Loc Thin M6 SS	[6]
31		2	Scr, Pan Phil M4x10 Ss	[3]
32		2	Nut, Hex Nyl Loc Thin M4 SS	[3]
33		3	Washer Flat XI 6x18x1.5 - SS	[6]
			Service Kits	
K8	56116981	1	LEVEL ADJUST KIT-SIDE WIPER	
K9	56116983	1	KNOB KIT-SIDE WIPER	
K12	56116982	1	HARDWARE KIT-SIDE WIPER	
K14	56116706	1	SIDE BLADE KIT-RED GUM	
K15	56116709	1	SIDE BLADE KIT-PU	
K31	56116929	1	DISK STRAP KIT-BOTH SIDES	

Part Notes:

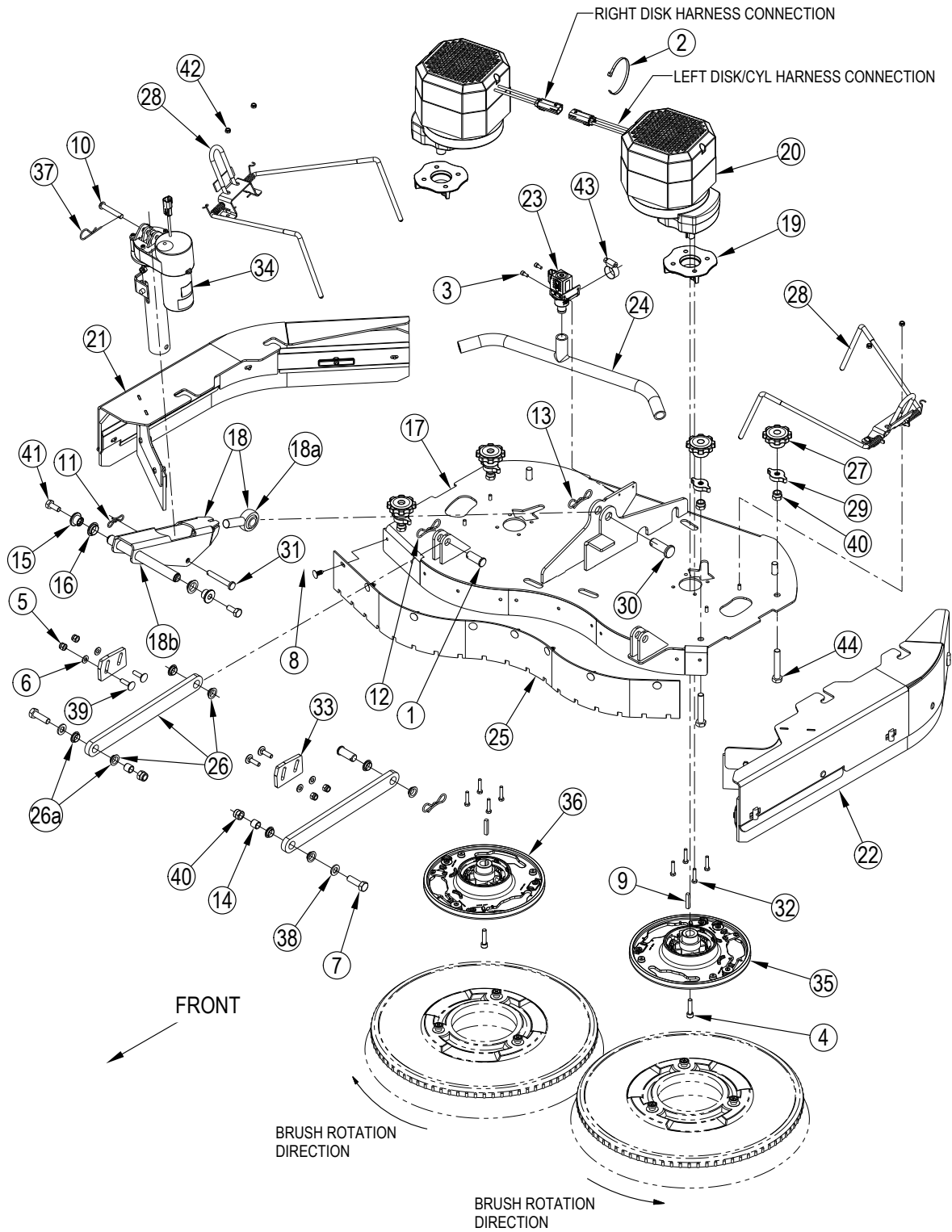
- [1] - K8,K12
- [2] - K8
- [3] - K31
- [4] - K14
- [5] - K15
- [6] - K12
- [7] - K9
- [8] - K9,K12



Pos.	Artikel-Nr.	Menge	Variante	Notes
1		1	Complete Actuator Assembly	
2		2	Scr, Hex Thd Form 1/4-20 X0.38	[1]
3		4	Scr, Pan Phil Thd Form 1/4-20x .50	[1]
4		1	Spring-Compression 1.40x1.40in	[1]
5		1	Spring Housing Weldment	[1]
6		1	Spring-Compression-1.44x3.50 In	[1]
7	56118041	1	ACTUATOR ASSEMBLY-HEAVY DUTY	[1]
8		1	Spring Housing Guide	[1]
9		1	Nut Retainer	[1]
10		1	Nut Retainer	[1]
11	56388520	1	Spindelmutter	[1]
12		1	Fixed Skirt Disc Deck Assembly-34d	[2]
13		1	Fixed Skirt Disc Deck Assembly-40d	[3]
14		1	Door Assembly-Left-34d	
15		1	Door Assembly-Right-34d	
16		1	Door Assembly-Left-40d/36c	
17		1	Door Assembly-Right-40d	
			Service Kits	
K1	56118048	1	SPRING HOUSING KIT-ACTUATOR	

Part Notes:

- [1] - K1
- [2] - 860D
- [3] - 1050D



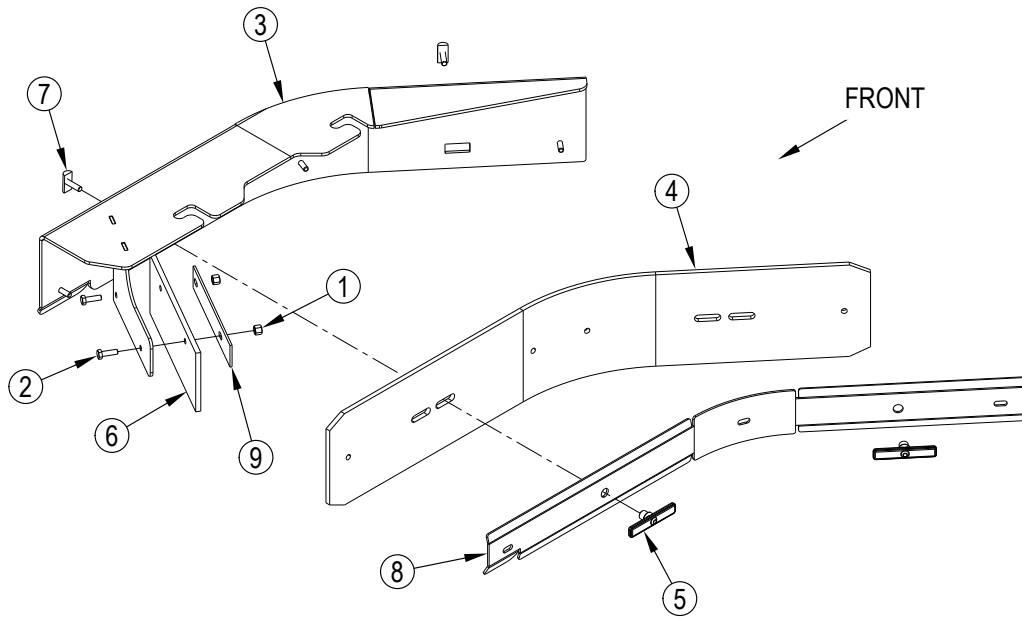
Pos.	Artikel-Nr.	Menge	Variante	Notes
1		2	Pin D.16	[1]
2		1	Clamp 290x4.8	[2]
3		2	Screw Soc. Hd M5x12 SS	[3]
4		2	Screw Soc. Hd M8x35 SS	[4]
5		4	Nut, Hex Nyl Loc Hvy M8	[5]
6		4	Washer, Flat 8.4x16x1.6	[5]
7		2	Screw M12x40 Hex Hd F/Thd - 12k	[1]
8		9	Rivet, Nylon Tree Push-In (.25)	[6]
9		2	Key, Square .25 X 1.44	[4]
10		1	Pin-Clevis .375 X 2.25	[7]
11		1	Pin- Bow-Tie Cotter 7/16 - 1/2	[7]
12		2	Pin-Bow Tie Cotter 5/8	[1]
13		1	Pin-Bow Tie Cotter 3/4	[8]
14		2	Bushing-12.5x16x14.48mm	[1]
15		2	Bushing-Lift Arm Pivot	[8]
16		2	Bearing-Flange-20x23x7mm	[8]
17	56116201	1	SCRUB DECK WELDMENT-34D	[9]
	56116200	1	SCRUB DECK WELDMENT-40D	[10]
18		1	Deck Lift Arm Assembly	[8]
18a		1	Rod End-Spherical-18mm-Male	[8]
18b		1	Lift Arm Weldment	[8]
19	56116212	2	SPACER-MOTOR	
20	56116213	2	GEARMOTOR-36VDC-250RPM-1.0HP	
	56422152	1	KIT WHEEL DRIVE BRUSHES	[11]
21	56116090	1	CAP-SOLUTION	
22	56116089	1		
23		1	Valve-Solenoid-36vdc	
24	56116249	1	HOSE-SOLUTION FEED-DISC	
25	56116252	1	BLADE-FRONT 34D	
	56116250	1	Gummileiste vorne 40D	
26		2	Deck Trailing Arm Assembly	[1]
26a		8	Bearing-Flange-16x18x6mm	[1]
27	56380149	4	Rändelschraube	
28	56116755	2	CLICK-ON ASSEMBLY-34D	
	56116756	2	CLICK-ON ASSEMBLY-40D	
29	56601578	4	Drehknopf	
30		1	Pin-Clevis 18x50 Iso2341-B	[8]
31		1	Pin-Clevis 10x70 Iso2341-B	[7]
32		8	Screw M6x30 Uni5737 SS	[4]
33		2	Plate-Stop	[5]
34		1	Actuator Assembly-Complete	
35	56601276	1	BRUSH PLATE ASSEMBLY	
36	56601384	1	Bürstenaufnahme kpl.	
37		1	Hair Pin Cotter A2,5	[7]
38		2	Washer, Flat 13.0x24.0x2.5 SS	[1]
39		4	Screw M8x30 Carriage Iso8677	[5]
40		6	Nut, Hex Nyl Loc M12 S.S.	[12]
41		2	Screw M10x25 Hex Hd F/Thd	[8]
42		4	Nut, Hex Nyl Loc Thin M6 SS	[4]
43		1	Clamp, Hose 15-24 Size8	[3]
44	56003658	4	Schraube	
			Service kit	
K1	56116881	1	LIFT ARM KIT-CENTER	
K2	56116882	1	TRAILING ARM KIT-BOTH SIDES	
K10	56116928	1	STOP KIT-BOTH SIDES	
K13	56118038	1	HARDWARE KIT-ACTUATOR	
K16	56116875	1	SOLENOID VALVE KIT	
K17	56116891	1	SOLENOID SEAL KIT	
K30	56118050	1	RIVET KIT	[13]

Pos.	Artikel-Nr.	Menge	Variante	Notes
K32	56116994	1	HARDWARE KIT-DISK DECK	

Part Notes:

- [1] - K2
- [2] - K33
- [3] - K16
- [4] - K32
- [5] - K10
- [6] - K30
- [7] - K13
- [8] - K1
- [9] - 860D
- [10] - 1050D
- [11] - M1, M2
- [12] - K2,K32
- [13] - Kit includes 9 pcs. of pos. 8

RIGHT FIXED SIDE BLADE ASSEMBLY

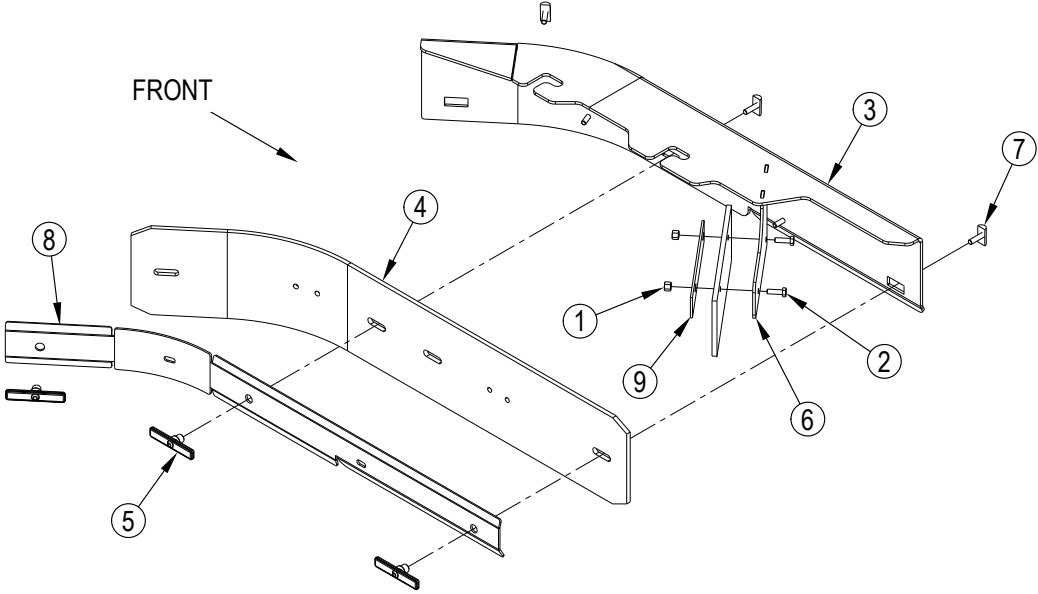


Pos.	Artikel-Nr.	Menge	Variante	Notes
	56118090	1	FIXED SIDE BLADE ASSY-RIGHT	
1	56003426	2	Stopfmutter M6 Inox	
2	56003454	2	Schraube HEX ZHD TO HD	
3	56118082	1	BLADE WELDT-FIXED-SIDE-RT	
4		1	Blade	[1]
5	56413717	2	Spezial Mutter BR 1300SC	
6		1	Blade	[1]
7	56413850	2	Spezial SchraubeBR 1300 SC	
8	56413985	1	STRAP-RIGHT 40D-45D-48D	
9	56413991	1	STRAP	
			Service kit	
K1	56413754	1	Seiten Gummi-Set PU	

Part Notes:

[1] - K1

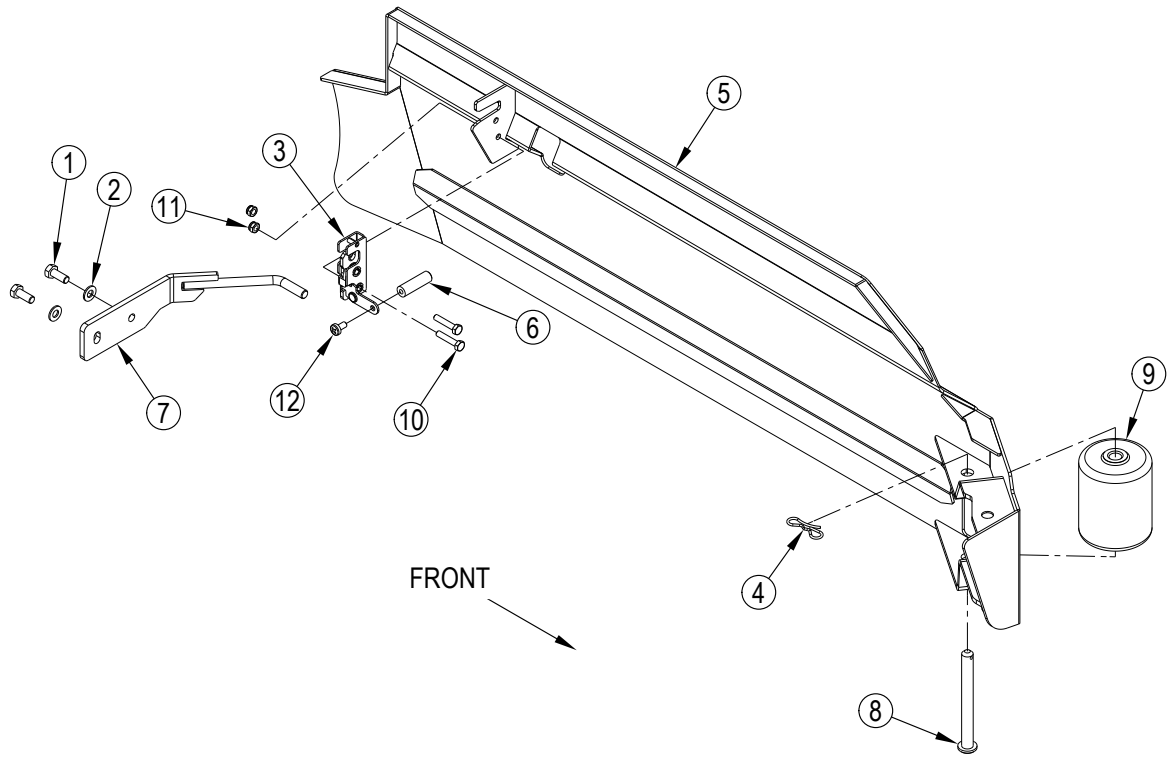
LEFT FIXED SIDE BLADE ASSEMBLY



Pos.	Artikel-Nr.	Menge	Variante	Notes
	56118089	1	FIXED SIDE BLADE ASSY-LEFT	
1	56003426	2	Stopfmutter M6 Inox	
2	56003454	2	Schraube HEX ZHD TO HD	
3	56118083	1	BLADE WELDT-FIXED-SIDE-LT	
4		1	Blade Left 40	[1]
5	56413717	3	Spezial Mutter BR 1300SC	
6		1	Blade	[1]
7	56413850	3	Spezial SchraubeBR 1300 SC	
8	56413981	1	STRAP-LEFT 40D	
9	56413991	1	STRAP	
			Service Kits	
K1	56413754	1	Seiten Gummi-Set PU	

Part Notes:

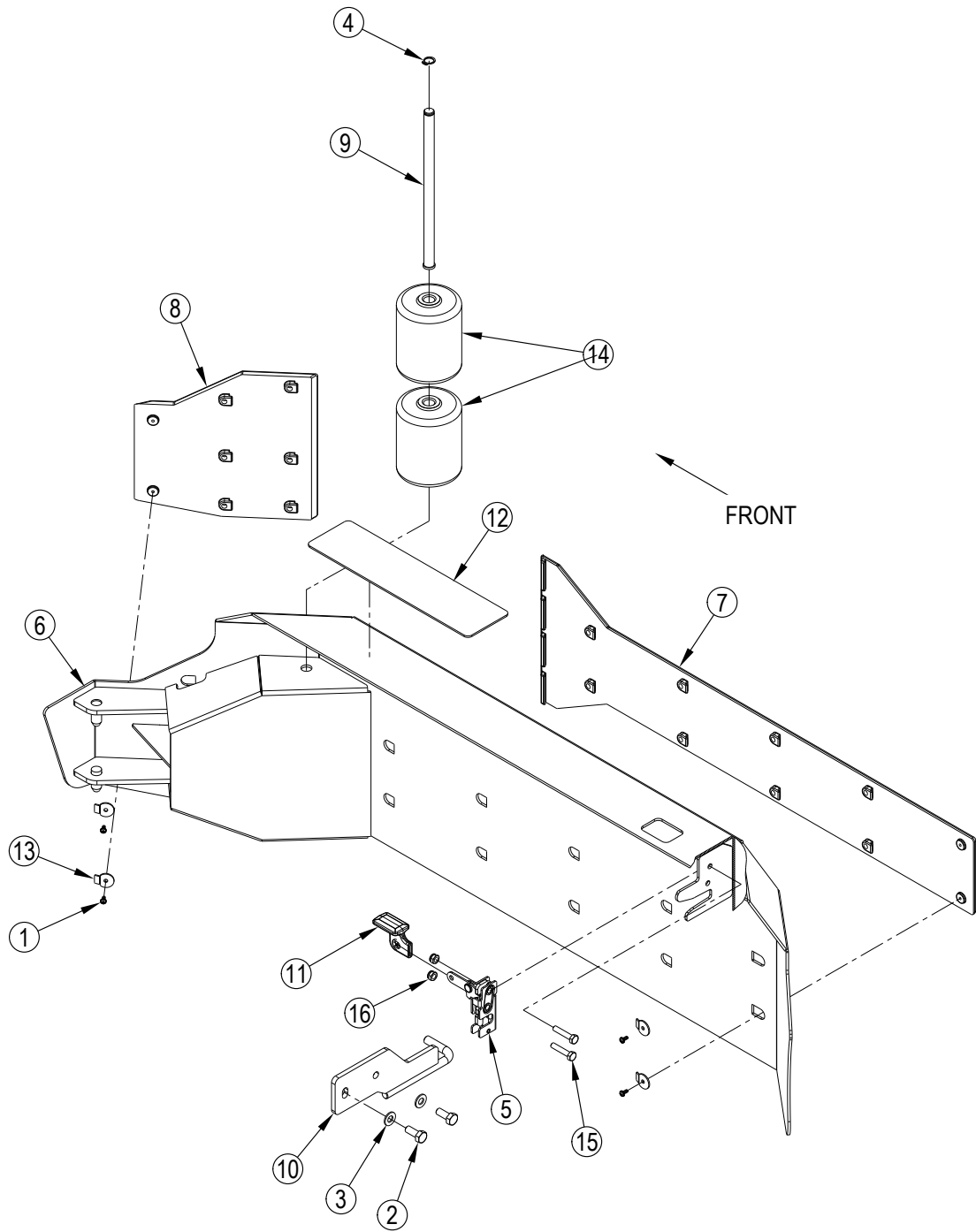
[1] - K1



Pos.	Artikel-Nr.	Menge	Variante	Notes
1		2	Screw M8x20 Hex Hd F/Thd	[1]
2		2	Washer, Flat 8.4x16x1.6	[1]
3		1	Latch Rotary	[2]
4		1	Pin- Bow-Tie Cotter 7/16 - 1/2	[3]
5	56116418	1	DOOR WELDMENT-LEFT-34D	
6		1	Handle-Latch	[2]
7		1	Door Striker Weldment-Left	[1]
8		1	Pin-Clevis 12x120 Iso2341-B	[3]
9		1	Wheel, Roller	[3]
10		2	Screw M6x30 Hex Hd F/Thd Ss	[2]
11		2	Nut, Hex Nyl Loc Thin M6 Ss	[2]
12		1	Scr, Pan Phil M6x12	[2]
			Service Kits	
K3	56116898	1	STRIKER KIT-LEFT	
K4	56116979	1	LATCH KIT	
K5	56116980	1	ROLLER KIT-BOTH DOORS	

Part Notes:

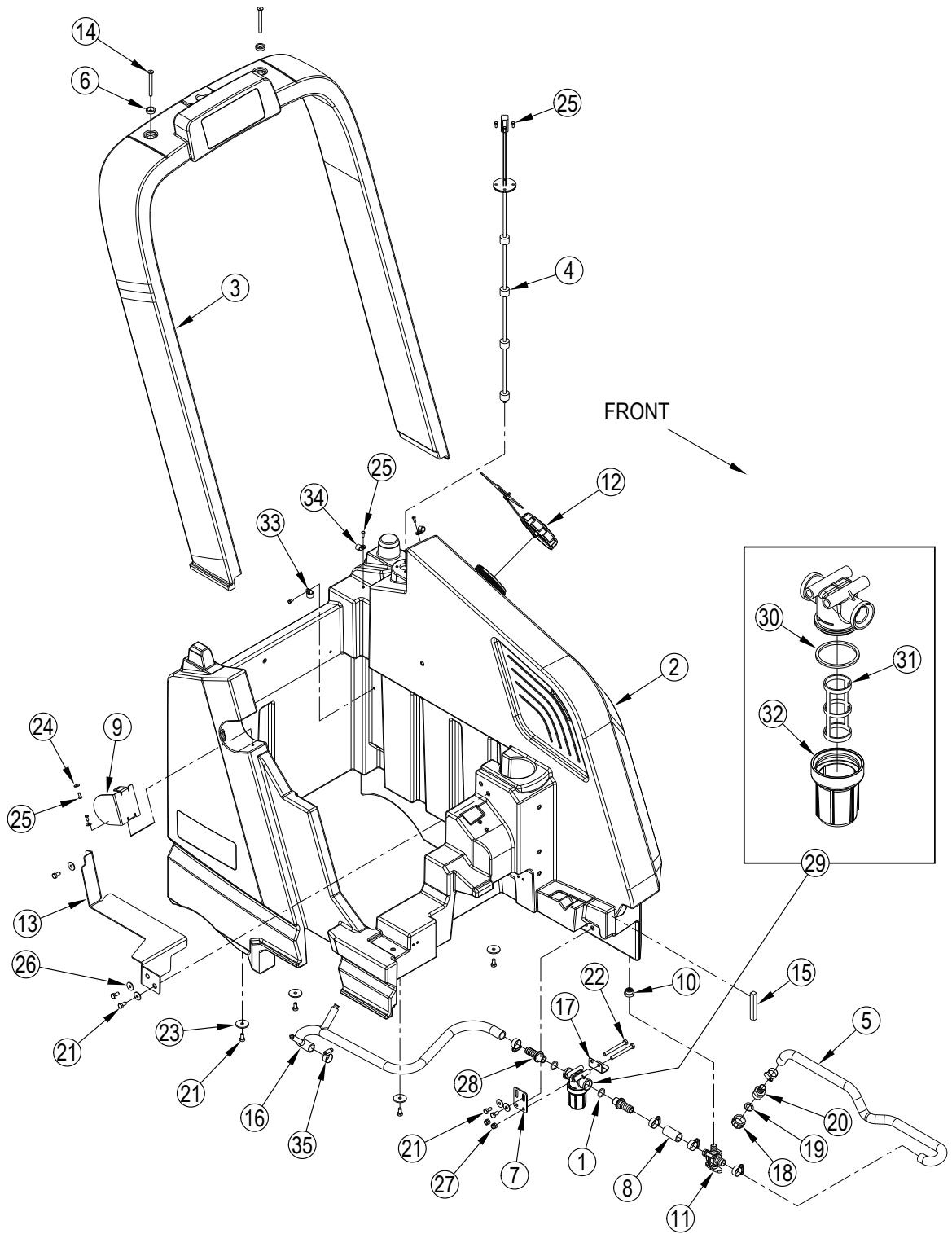
- [1] - K3
- [2] - K4
- [3] - K5



Pos.	Artikel-Nr.	Menge	Variante	Notes
1		4	Ejot 3.5x8 Wn1411	[1]
2		2	Screw M8x20 Hex Hd F/Thd Iso4017	[2]
3		2	Washer, Flat 8.4x16x1.6	[2]
4		1	Shaft Ring D.12	[3]
5		1	Latch Rotary	[4]
6	56116417	1	DOOR WELDMENT-RIGHT-34D	
7		1	Skid Plate-Right-34d	[1]
8		1	Skid Plate-Right-Front-34d	[1]
9		1	Pin-Door Roller	[3]
10		1	Door Striker Weldment-Right	[2]
11		1	Handle-Latch	[4]
12	56116465	1	MAT-DOOR	
13		4	Washer-Tab	[1]
14		2	Wheel, Roller	[3]
15		2	Screw M6x30 Hex Hd F/Thd Ss Iso4017	[4]
16		2	Nut, Hex Nyl Loc Thin M6 Ss	[4]
			Service Kits	
K4	56116979	1	LATCH KIT	
K5	56116980	1	ROLLER KIT-BOTH DOORS	
K6	56116899	1	STRIKER KIT-RIGHT	
K7	56116900	1	SKID PLATE KIT	

Part Notes:

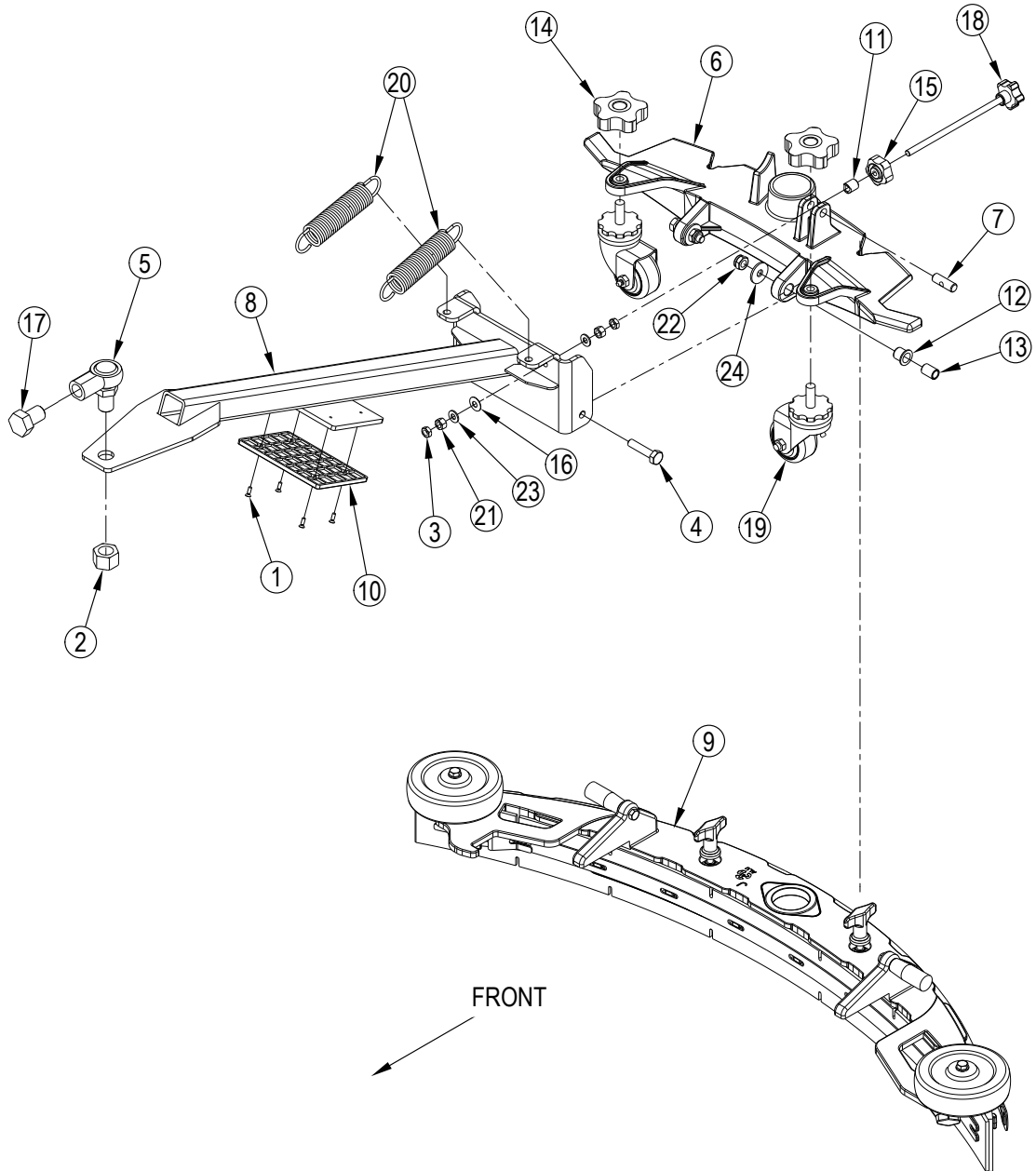
- [1] - K7
- [2] - K6
- [3] - K5
- [4] - K4



Pos.	Artikel-Nr.	Menge	Variante	Notes
1		2	Gasket, O-Ring 20 - 3	[1]
2	56116083	1	TANK-SOLUTION.	
3	56116101	1	CROSS BAR	
4	56116372	1	SENSOR-SOLUTION LEVEL	
5		1	Hose-Drain	[2]
6		2	Washer-Cosmetic-Ss-M8	[3]
7	56116658	1	BRACKET-FILTER MOUNT	
8	56116664	1	HOSE-20X26X52MM	
9	56116666	1	PANEL-COVER	
10	56116721	1	GROMMET .59X.78X.62IN	
11	56116759	1	VALVE-BALL-5/8X3/4IN BRB	
12	56116763	1	SOLUTION CAP ASSEMBLY	
	56116683	1	GASKET-SOLUTION CAP	
13	56116790	1	SUPPORT-SEAT	
14		2	Screw M8x80 Din7991 Ss Black	[3]
15	56116931	1	SEAL-TANK GAP	
16	56116934	1	HOSE ASSEMBLY MANIFOLD	
17		1	Clip-Drain Hose	[1]
18		1	Cap, Pipe Ght Nylon	[2]
19		1	Washer-Rubber	[2]
20		1	Barb, Adapter 3/4 X 3/4ght	[2]
21		9	Screw M8x16 Hex Hd F/Thd Ss Iso4017	[3]
22		2	Screw M8x80 Hex Hd F/Thd Iso4017	[1]
23		4	Washer Flat XI 8.5x36.0x3.0	[3]
24		2	Washer Flat XI 5.5x15.0x1.6 Ss	[3]
25		9	Screw M5x12 Hex Hd F/Thd Iso4017	[3]
26		5	Washer 8x24x2 Uni6593 Ss	[3]
27		2	Nut, Hex Nyl Loc M8 Ss	[1]
28		2	Elbow Ø20	[1]
29		1	Filter Water	[1]
30	9097943000	1	Dichtung für Wasserfilter	
31	9097944000	1	Filtereinsatz	
32	9097945000	1	Deckel Wasserfilter	
33		1	Clamp Cable D.16	[3]
34		2	Clamp, Cable Ø12.7	[3]
35		6	Clamp, Hose 15-24 Size8	[4]
			Service Kits	
K1	56116923	1	DRAIN HOSE KIT	
K2	56116924	1	FILTER KIT	
K3	56116925	1	HARDWARE KIT-SOLUTION SYSTEM	

Part Notes:

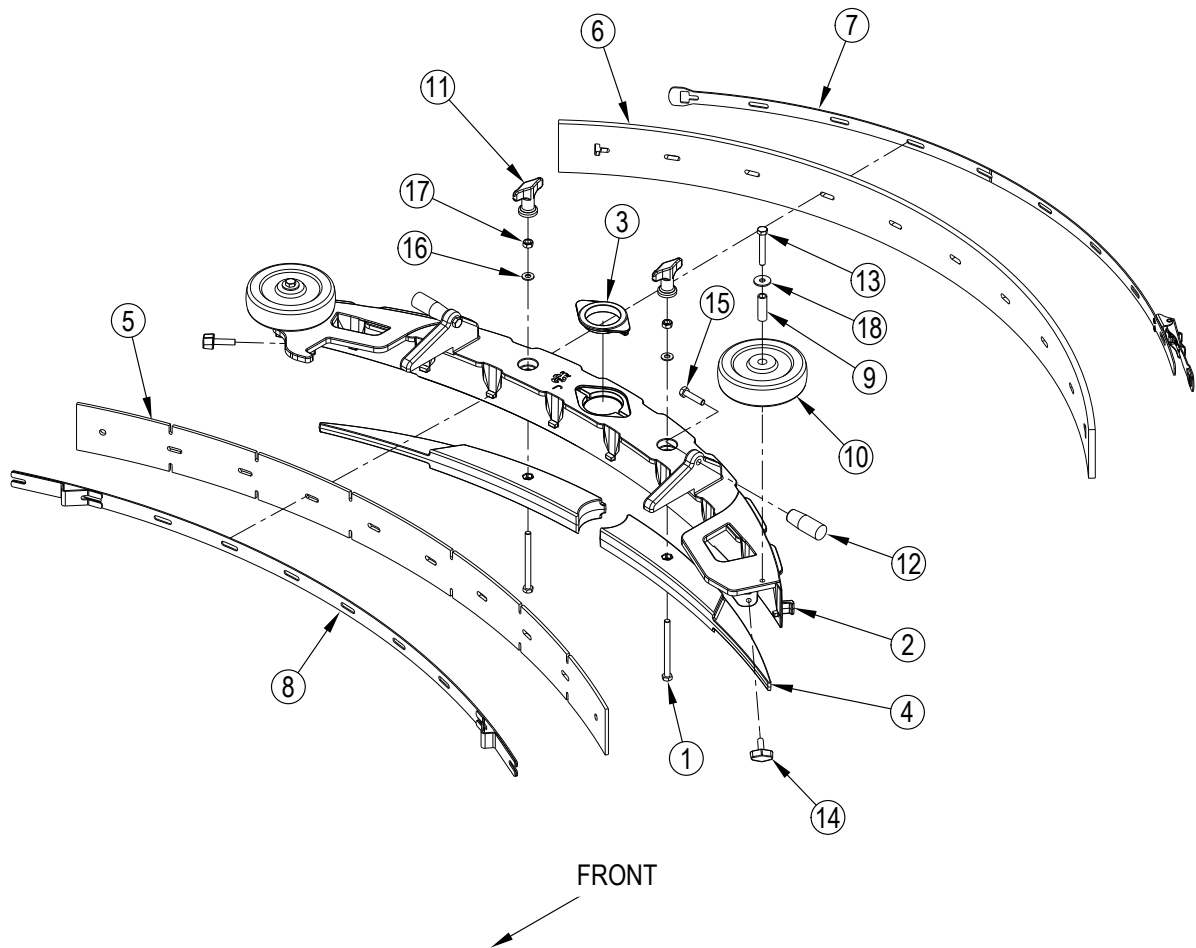
- [1] - K2
- [2] - K1
- [3] - K3
- [4] - K1,K2,K3



Pos.	Artikel-Nr.	Menge	Variante	Notes
1		4	Countersunk Screw M4x12	[1]
2		1	Nut-Hex 220x1.5 Iso8673 8.8	[2]
3		2	Nut, Hex Thin M8	[3]
4		2	Screw M10x45 Hex Hd F/Thd Ss Iso4017	[4]
5		1	Rod End-20mm	[2]
6	56116393	1	MOUNT-SQUEEGEE	
7		1	Pin-Squeegee Tilt	[3]
8	56116398	1	SQUEEGEE ARM WELDMENT	
9	56116399	1	SQUEEGEE ASSEMBLY-J	[5]
9	56116400	1	SQUEEGEE ASSEMBLY-K	[6]
10		1	Wear Plate-Squeegee	[1]
11		1	Spacer-Squeegee Tilt	[3]
12		2	Bearing-Flange-14x16x17mm	[4]
13		2	Bushing	[4]
14	56116545	2	KNOB-M12-LOBE	
15		1	Knob-M8-Lobe Short	[3]
16		1	Washer-Bevel-8.2x20x0.7x1.35mm	[3]
17		1	Screw M20x1.5x30 Uni5740 Ss	[2]
18		1	Tilt Rod Assembly	[3]
19	56116907	2	CASTER ASSEMBLY	
20	56116974	2	SPRING-EXTENSION	
21		2	Nut Hex Hvy M8	[3]
22		2	Nut M10 Hex Loc Thin Ss Iso 10511	[4]
23		2	Washer, Flat 8x17x1.6 Ss	[3]
24		2	Washer Flat XI 10x30x2.5-Ss	[4]
			Service Kits	
K1	56116894	1	SQUEEGEE TILT ADJUSTER KIT	
K2	56116895	1	SQUEEGEE WEAR PLATE KIT	
K3	56116896	1	SQUEEGEE MOUNT ROD END KIT	
K6	56116893	1	HARDWARE KIT-SQUEEGEE	

Part Notes:

- [1] - K2
- [2] - K3
- [3] - K1
- [4] - K6
- [5] - 860D Disc Model / Includes Red Gum Rubber Blades
- [6] - 910C Cylindrical Model 1050D Disc Model / Includes Red Gum Rubber Blades



Pos.	Artikel-Nr.	Menge	Variante	Notes
1		2	Scr-Hex Thd/Hd Ss 5/16-18x3.75	[1]
2	56116378	1	SQUEEGEE-J	
3	56116388	1	SEAL-SQUEEGEE	
4	56116491	2	INSERT-SQUEEGEE AIRFLOW-J	
5		1	Blade-Squeegee Fr-Red Gum-J	[2]
6	56116493	1	BLADE-SQUEEGEE-RED GUM-RR-J	[2]
		1	Blade-Squeegee-PU J-Front	[3]
	56116702	1		[3]
7	56116497	1	SQUEEGEE STRAP ASSEMBLY-RR-J	
8	56116498	1	SQUEEGEE STRAP WELDMENT-FR-J	
9		2	Bushing-.344x.500x1.56in	[4]
10		2	Wheel 5.00 X 1.50	[4]
11		2	Nut Thumb	[1]
12		2	Handle Lever	[1]
13		2	Screw M8x55 Hex Hd F/Thd Ss Iso4017	[4]
14		2	Knob M8x30 Stainless Steel	[1]
15		2	Screw M8x35 Hex Hd F/Thd Ss Iso4017	[1]
16		2	Washer, Flat 8x17x1.6 Ss	[5]
17		2	Nut Self L. 5/16 Unc Ss	[1]
			Service Kits	
K4	56116911	1	SQUEEGEE ROLLER KIT-BOTH	
K5	56116912	1	SQUEEGEE KNOB KIT-BOTH	
K7	56116704	1	SQUEEGEE BLADE KIT-RED GUM J	
K9	56116707	1	SQUEEGEE BLADE KIT-PU J	

Part Notes:

[1] - K5

[2] - K7

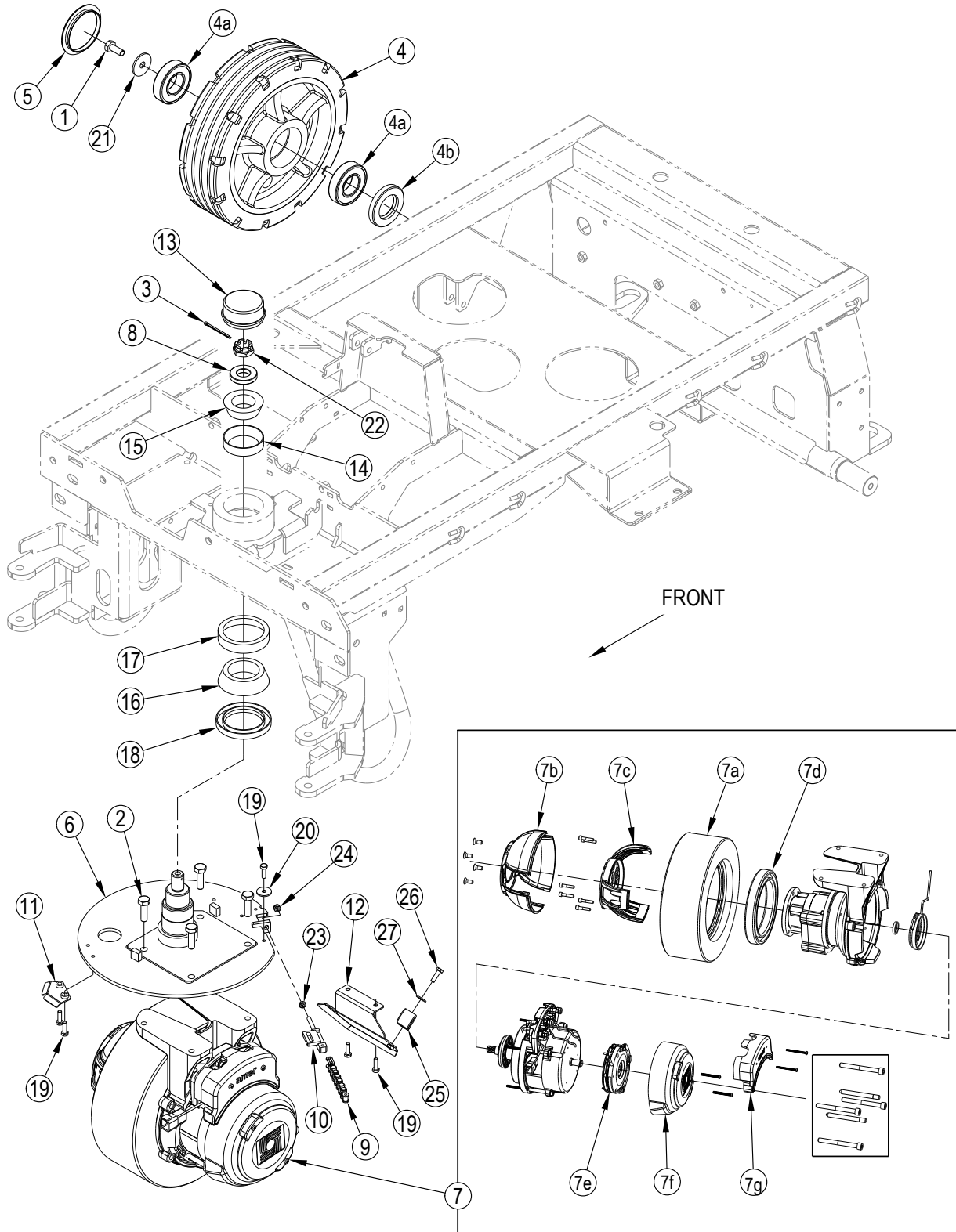
All squeegee blade kits include both front and rear squeegee blades

[3] - K9

All squeegee blade kits include both front and rear squeegee blades. Optional, Not Included

[4] - K4

[5] - K4,K5



Pos.	Artikel-Nr.	Menge	Variante	Notes
1		2	Screw M10x25 Hex Hd F/Thd	[1]
2		4	Screw M10x35 Hex Hd F/Thd	[2]
3		1	Pin Cotter 3 X 50 Iso 1324	[3]
4		2	Wheel-Rear-Pu 12x3.5in	[4]
4a		2	Bearing-Ball-1.378x2.835x.669	[5]
4b		1	Seal-Oil	[5]
5	56116032	2	CAP-HUB	[6]
6	56116305	1	SPINDLE PLATE WELDMENT	
7	56116309	1	WHEEL-DRIVE 12IN	
7a	56116039	1	TIRE	
7b	56116806	1	COVER MOTOR	
7c	56116807	1	COVER DRIVE	
7d	56116809	1	BEARING	
7e	56601507	1	PARKING BRAKE	
7f	56116811	1	COVER BRAKE	
7g	56116812	1	COVER ELEC	
7h	56118154	1	ENCODER-DRIVE MOTOR	
7i	56118155	1	SEAL-SHAFT-DRIVE MOTOR	
8		1	Washer-22x44x8mm	[7]
9		1	Chain-Roller	[8]
10		1	Chain Tensioner Weldment	[8]
11		1	Chain Guide Weldment	[8]
12	56116936	1	BRACKET-WIRE GUIDE	
13	56483135	1	Lagerdeckel	[7]
14		1	Bearing, Cup	[7]
15		1	Bearing, Cone	[7]
16		1	Bearing, Cone	[7]
17		1	Bearing, Cup	[7]
18		1	Seal-Shaft-88.9x63.5x9.5	[7]
19		5	Screw M6x20 Hex Hd F/Thd Ss	[9]
20		1	Washer Flat XI 6.6x24.0x2.0 Ss	[9]
21		2	Washer Flat XI 11.0x40.0x3.0	[1]
22		1	Nut Hex M20x1.5 Uni5594	[3]
23		1	Nut Hex M6 Uni5589 Ss	[8]
24		1	Nut, Hex Nyl Loc Thin M6 Ss	[8]
25		1	Clamp, Hose Support	[2]
26		6	Screw M6x20 Hex Hd F/Thd Ss	[2]
27		1	Washer Flat XI 6x18x1.5 - Ss	[2]
			Service Kits	
K1	56116916	1	STEERING CHAIN KIT	
K2	56116918	1	SPINDLE BEARING KIT	
K3	56116033	1	BEARING KIT-REAR WHEEL	
K4	56116919	1	REAR WHEEL KIT	
K5	56116917	1	HARDWARE KIT-WHEEL SYSTEM	

Part Notes:

- [1] - K3,K4,K5
- [2] - K5
- [3] - K2,K5
- [4] - K4
- [5] - K3
- [6] - K3,K4
- [7] - K2
- [8] - K1
- [9] - K1,K5