

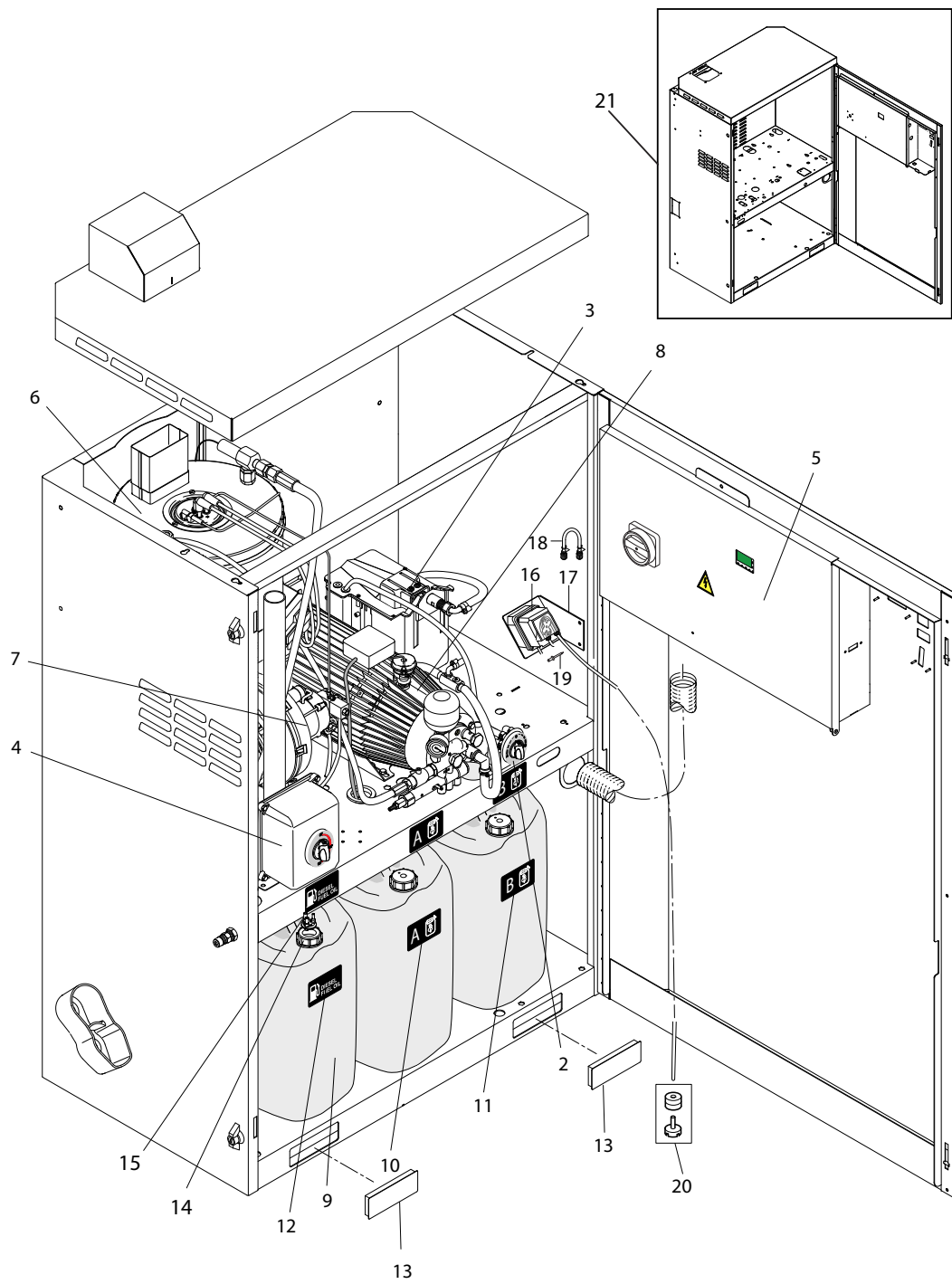
PARTS LIST



2021.01.19

TABLE OF CONTENTS

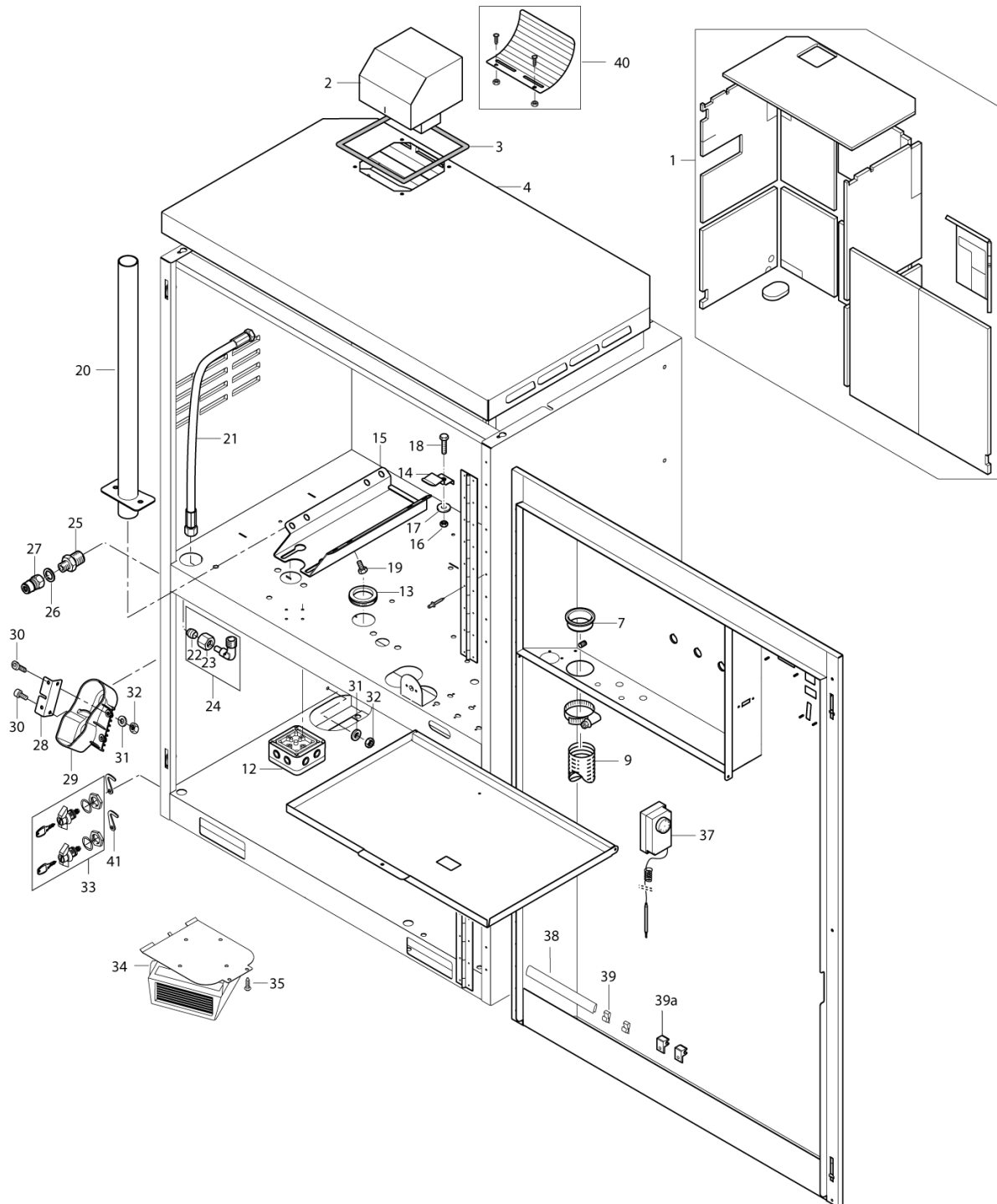
| | |
|-----------------------------------|----|
| Übersicht 1 | 1 |
| Übersicht 2 | 3 |
| Dosing - and detergent unit | 5 |
| Water tank | 7 |
| Electrical components | 9 |
| Front door parts | 11 |
| Motorpumpeneinheit (a) | 13 |
| Motorpumpeneinheit (b) | 15 |
| Motorpumpeneinheit (c) | 17 |
| Motorpumpeneinheit (d) | 19 |
| Motor 5 RF | 21 |
| Motorpumpeneinheit (e) | 23 |
| Schaltkasten | 25 |
| Fan | 27 |
| Boiler | 29 |
| Distributor | 31 |
| Burner unit from Dec. 2010 | 33 |
| Luftverteiler | 35 |
| Zubehör/ Sonstiges | 37 |
| 107370974 - No-scale | 39 |
| Frostschutz 1 | 41 |
| Frostschutz 2 | 43 |
| Frostschutz 3 | 45 |
| Recommended spare parts | 47 |



| Pos. | Artikel-Nr. | Menge | Variante | Notes |
|------|-------------|-------|--------------------------------------|-------|
| 2 | | 1 | Dosing unit | [1] |
| 3 | | 1 | Float chamber | [2] |
| 4 | | 1 | EL-box | [3] |
| 5 | | 1 | Electric parts | [4] |
| 6 | | 1 | Boiler | [5] |
| 7 | | 1 | Fan | [6] |
| 8 | | 1 | Motor pump unit 7 | [7] |
| 8 | | 1 | Motor pump unit 5 | [8] |
| 9 | 104601164 | 3 | Behälter 30/33 l | |
| 10 | 107319150 | 2 | Klebesch. Chemie A | |
| 11 | 107319151 | 2 | Klebesch. Chemie B | |
| 12 | 4209193 | 2 | Warning Label | |
| 13 | 107318058 | 2 | Verschlussdeckel kpl. für | |
| 14 | 107318059 | 1 | Kapsel | |
| 15 | 301001276 | 1 | Tülle | [9] |
| 16 | 103822206 | 1 | Chemiepumpe max. 13l | [10] |
| 17 | 107313287 | 1 | Support für Chemiepumpe | [10] |
| 18 | 103822265 | 1 | Schlauch für Chemiepumpe | [10] |
| 19 | 1814128 | 4 | BIFURCATED RIVET 4X10.3 1453 | [10] |
| 20 | 31000101 | 1 | Filter und Sicherung für Chemiepumpe | [10] |
| 21 | 107318247 | 1 | GEHAEUSE KOMPLETT AUTO/TRUCK B. | |

Part Notes:

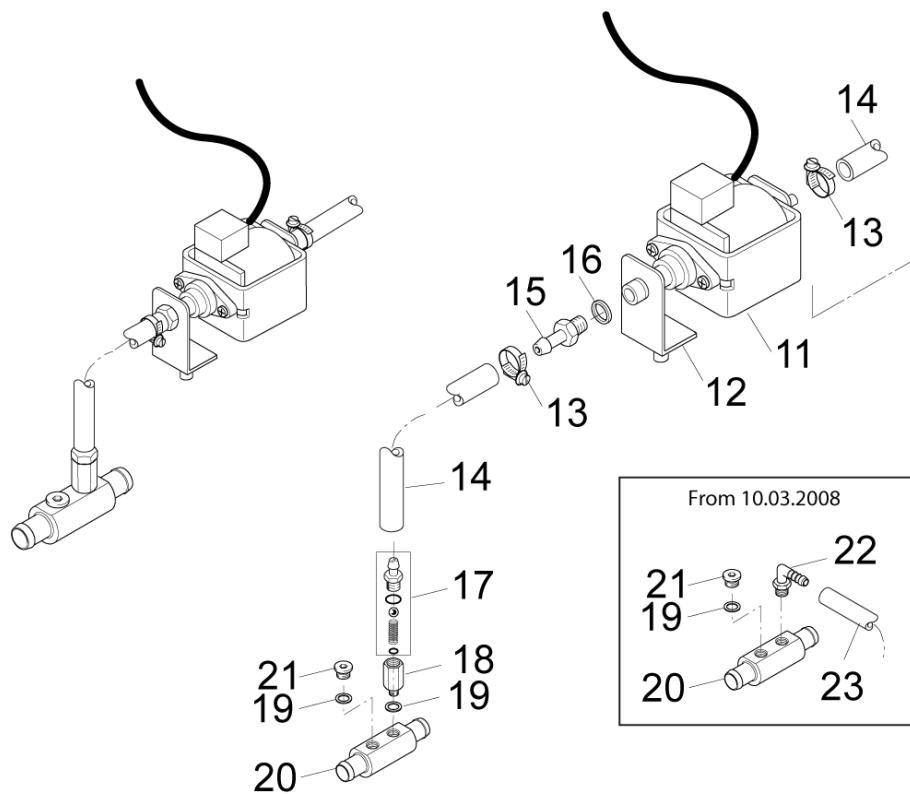
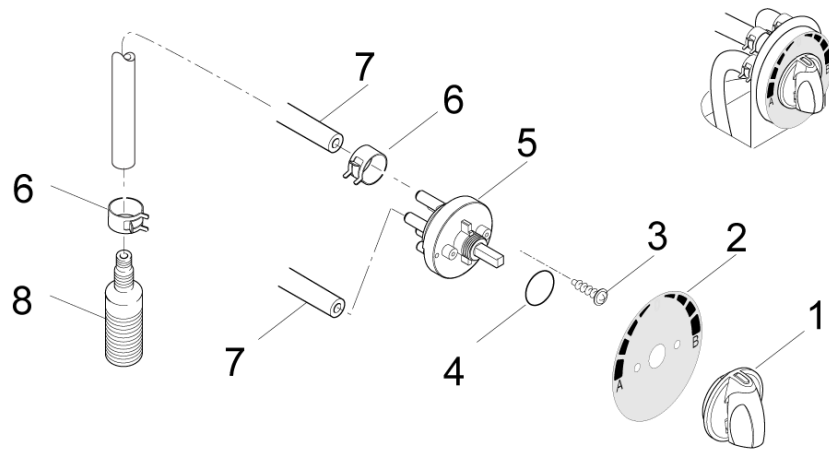
- [1] - Dosing unit
See Dosing - and detergent unit
- [2] - Float chamber
See Float chamber
- [3] - EL-box
See EL-box
- [4] - Electric parts
See Electric parts
- [5] - Boiler
See Boiler
- [6] - Fan
See Fan
- [7] - Motor pump unit 7
See Motor pump unit (e) 7
- [8] - Motor pump unit 5
See Motor pump unit (e) 5
- [9] - TSB-PPW-2013-001 301000620, 301001276
- [10] - From 10.03.2008



| Pos. | Artikel-Nr. | Menge | Variante | Notes |
|------|-------------|-------|--------------------------------------|-------|
| 1 | 107318029 | 1 | Isolierung TRUCK-/AUTO | |
| 2 | 107313246 | 1 | Abzug geschweißt | |
| 3 | 5218753 | 1 | RUBBER PROFIL A | |
| 4 | 107313231 | 1 | Gehäusedeckel | |
| 7 | 107313243 | 1 | JUNCTION-PIECE | [1] |
| 9 | 5226305 | 1 | Flex Schlauch 46/60 grau | |
| 12 | 103822013 | 1 | Verteilerdose | |
| 13 | 103004331 | 2 | SLEEVE PVC 45/ 60 | |
| 14 | 107313021 | 1 | SPRING LOCK FOR MOTOR | [2] |
| 15 | 107313022 | 1 | Halter f. Pumpe | [2] |
| 16 | 1802966 | 3 | Mutter M10 | [2] |
| 17 | 1801968 | 3 | Scheibe | [2] |
| 18 | 1810209 | 3 | SCREW HEX M10X20 A2 DIN6921 | [2] |
| 19 | 1802651 | 4 | Schraube M10x20 | |
| 20 | 107313052 | 1 | Kranauflhängung SOLAR BOO | |
| 21 | 101405741 | 1 | HD-Schlauch DN10 1250 DKL-DKL | |
| 22 | 1080 | 1 | CUTTING RING L12 B DIN 3861 ST/ZN | |
| 23 | 1081 | 1 | Überwurfmutter DIN 3870-A L 12 St/zn | |
| 24 | 101118094 | 1 | Kupplungssatz 90D ISO | |
| 25 | 6200484 | 1 | Verschraubung | |
| 26 | 1801075 | 1 | Dichtring | |
| 27 | 1603101 | 1 | Nippel Schnellkupplung | |
| 28 | 107313060 | 1 | SUPPORT FOR LANCE | |
| 29 | 107313257 | 1 | SUPPORT FOR LANCE. MACHINED | |
| 30 | 1814375 | 4 | Schraube RF, M6x12 | |
| 31 | 1813807 | 4 | Scheibe M6 | |
| 32 | 33158 | 4 | Sechskantmutter M6 ISO7042 VA (A2) | |
| 33 | 101814750 | 1 | 2x Schloss mit je 4x Schlüssel | |
| 34 | 107316095 | 1 | Heizgebläse | |
| 35 | 4814109 | 4 | SCREW 8X16 STAINLESS STEEL | |
| 37 | 103822056 | 1 | Thermostat -35- 35C | |
| 38 | 5218090 | 1 | EDGE RAIL 9X6.5 | |
| 39a | 104601170 | 2 | Klammer | [3] |
| 40 | 107318048 | 1 | Abgasplatte für TRUCK | [4] |
| 41 | 107313217 | 1 | Hakenverriegelung | |

Part Notes:

- [1] - CLOSED WHEN STOCK EMPTY
Used before 2011
- [2] - 7-63D
- [3] - from 27. april 2006
- [4] - Access.



Resource notes:

See Technical Service Bulletin SPW-039 New Adjustable Detergent Pump

| Pos. | Artikel-Nr. | Menge | Variante | Notes |
|------|-------------|-------|----------------------------|-------|
| 1 | 909100207 | 1 | Drehknopf 4kt. (Blau) | [1] |
| 2 | 107319132 | 1 | LABEL A AND B | [2] |
| 3 | 1803519 | 2 | SHEET METAL SCREW BZ 6X6 | [3] |
| 4 | 9868 | 1 | O-Ring 10x2,5 | [4] |
| 5 | 301001000 | 1 | Ventil | [5] |
| 6 | 11654 | 4 | Schlauchklemme 11,5 | [4] |
| 7 | 4973 | 4 | Schlauch 6x3 mm x 1 m | [4] |
| 7 | 101406100 | 1 | Schlauch 6x3 mm x 5 m | |
| 8 | 107145440 | 1 | Sieb Ventil Komplettsset | [4] |
| 11 | 107316070 | 1 | Pumpe | [6] |
| 12 | 7090720 | 1 | PUMPENKONSOLE #20, MULTIV | [7] |
| 13 | 1807593 | 2 | Schelle 7-13 mm, Rostfrei | [4] |
| 14 | 4973 | 1 | Schlauch 6x3 mm x 1 m | [4] |
| 14 | 101406100 | 1 | Schlauch 6x3 mm x 5 m | |
| 15 | 107318006 | 1 | Schlauchtülle 6 x G1/8 | [7] |
| 16 | 3004303 | 1 | O-Ring 6,07x 1,78 ARP | [8] |
| 17 | 1119406 | 1 | Rückschlagventil | [4] |
| 18 | 107318004 | 1 | Muffennippel | [7] |
| 19 | 2838 | 1 | Dichtring 10X14X3 DIN 7603 | |
| 20 | 107318005 | 1 | Verteiler mit Schlauchtül | |
| 21 | 6180660 | 1 | Pfropfen | |
| 22 | 101609375 | 1 | Schlauchtülle 4 1/8 | [9] |
| 23 | 107318062 | 1 | Silikon Schlauch 5 Meter | [9] |

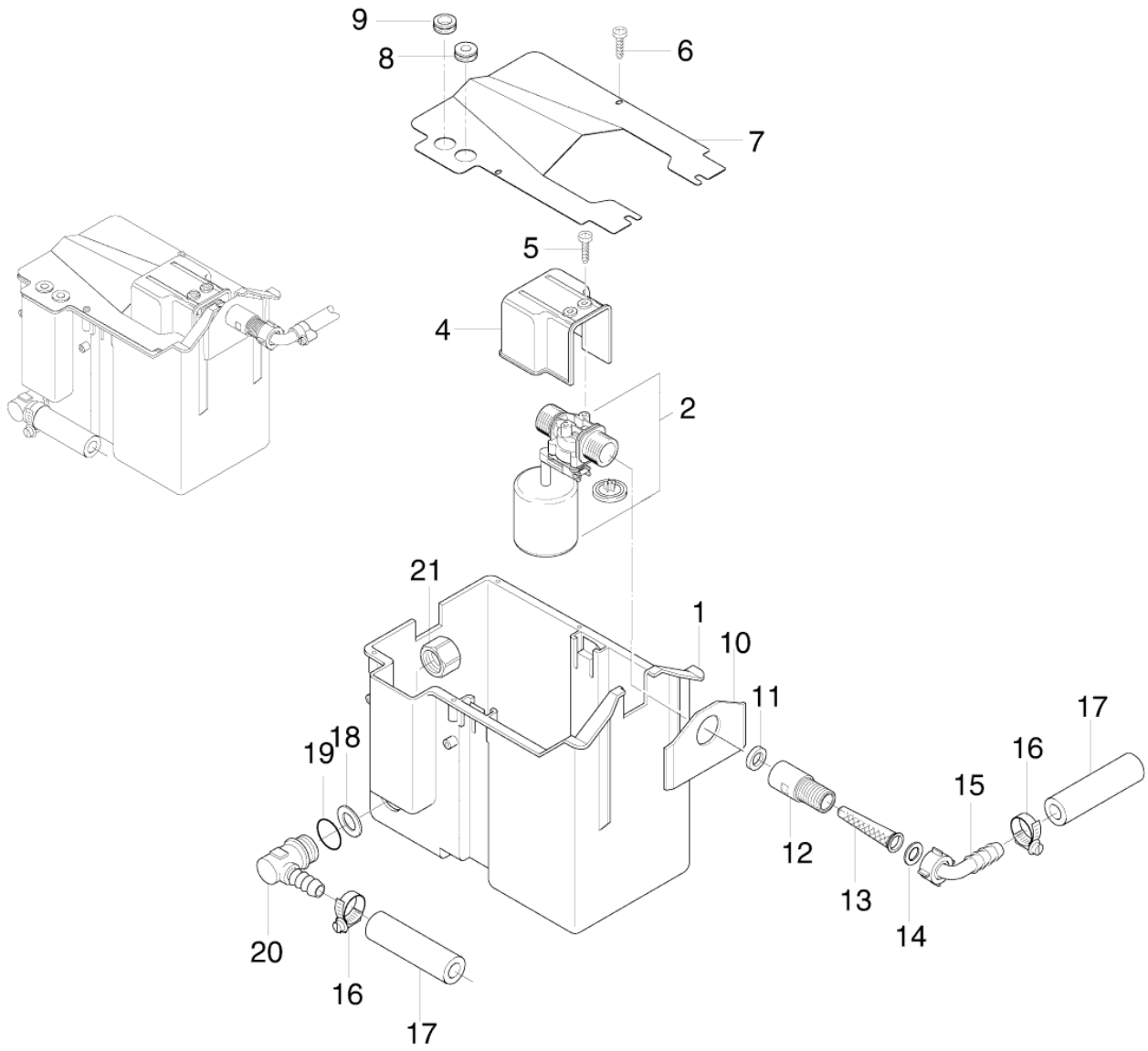
Part Notes:

- [1] - STOCK COVERS GUARANTEE

Up to 10.03.2008
TSB-PPW-2011-007 Detergent Pump in old models
- [2] - CLOSED WHEN STOCK EMPTY

Up to 10.03.2008
TSB-PPW-2011-007 Detergent Pump in old models
- [3] - Up to 10.03.2008
CLOSED WHEN STOCK EMPTY
- [4] - Up to 10.03.2008
- [5] - Up to 10.03.2008

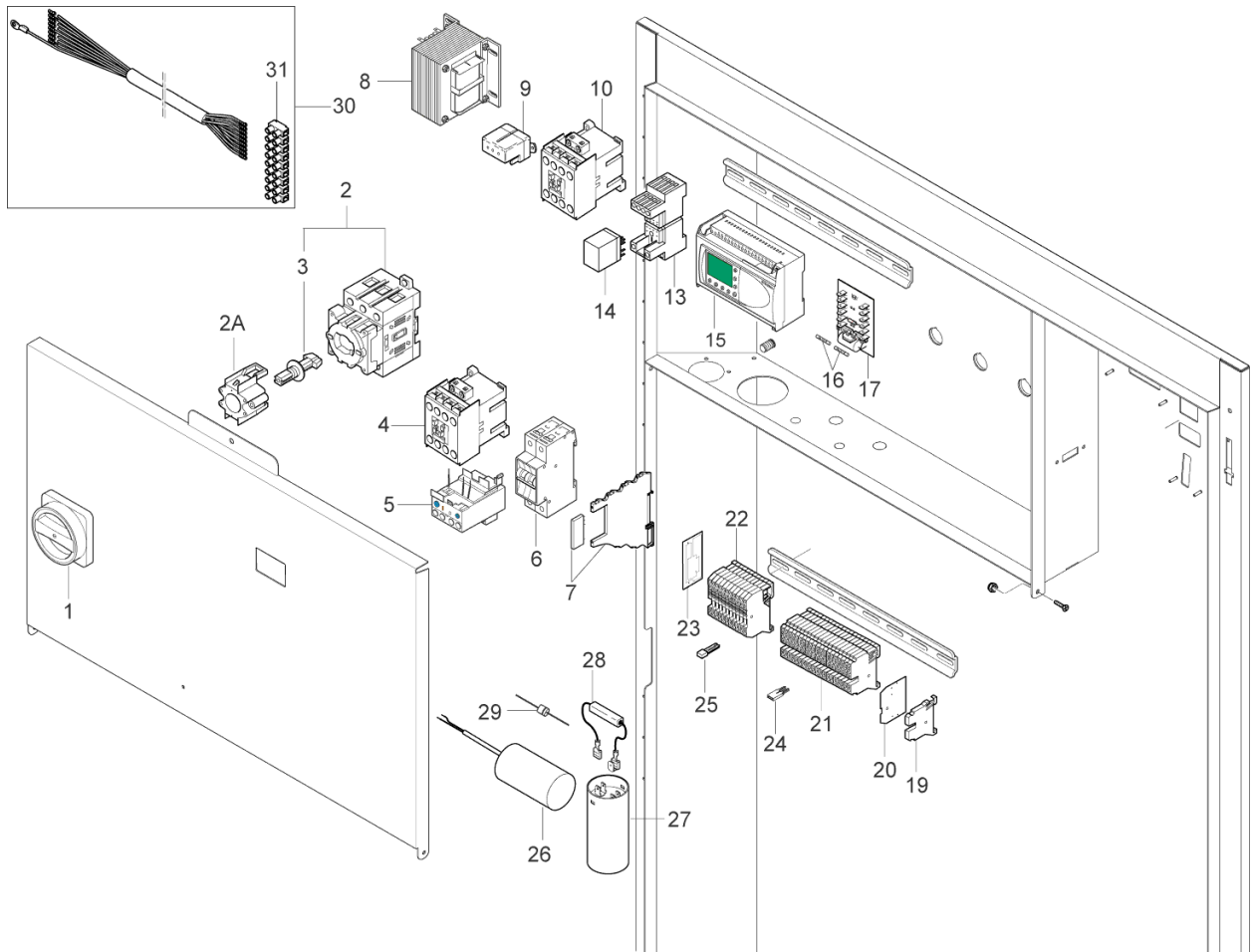
TSB-PPW-2011-007 Detergent Pump in old models
- [6] - See SPW-039 New Adjustable Detergent Pump
REFER TSB-PPW-2011-007
TSB-PPW-2011-007 Detergent Pump in old models
- [7] - Up to 10.03.2008
GUARANTEE DATE EXPIRED
- [8] - Up to 10.03.2008
STOCK COVERS GUARANTEE
- [9] - From 10.03.2008



| Pos. | Artikel-Nr. | Menge | Variante | Notes |
|------|-------------|-------|---------------------------------|-------|
| 1 | 44236 | 1 | Wasserbehälter | |
| 2 | 103403267 | 1 | Schwimmerventil 3/4-13 | |
| 4 | 34240 | 1 | Abdeckung | |
| 5 | 16860 | 1 | EP- Schraube KA 40x12 WN1412 A2 | |
| 6 | 101814797 | 2 | SCHRAUBE M5X12 | [1] |
| 7 | 107302155 | 1 | Deckel für Vorlaufbehälte | |
| 8 | 5172 | 1 | TÜLLE GUMMI-DG 11 | |
| 9 | 3001427 | 1 | Kabeldurchführung | |
| 10 | 54700 | 1 | Blech | |
| 11 | 3001237 | 1 | Dichtung | |
| 12 | 107302120 | 1 | Filtergehäuse für Wasserz | |
| 13 | 6100941 | 1 | Filter | |
| 14 | 15587 | 1 | Dichtring 14x24x2 | |
| 15 | 107142766 | 1 | Schlauchtülle | |
| 16 | 1810191 | 4 | Schlauchschele 14-27 | |
| 17 | 106408242 | 1 | HOSE 5/8INCH - 2 METERS | |
| 18 | 107307369 | 1 | GASKET 21X30X2 | |
| 19 | 3004310 | 1 | O-RING 20.35X1.78 SH90 NITRIL | |
| 20 | 3448 | 1 | SHL-TueLLE-W DN10G1/2 K | |
| 21 | 107350218 | 1 | Überwurfmutter R1/2 | |

Part Notes:

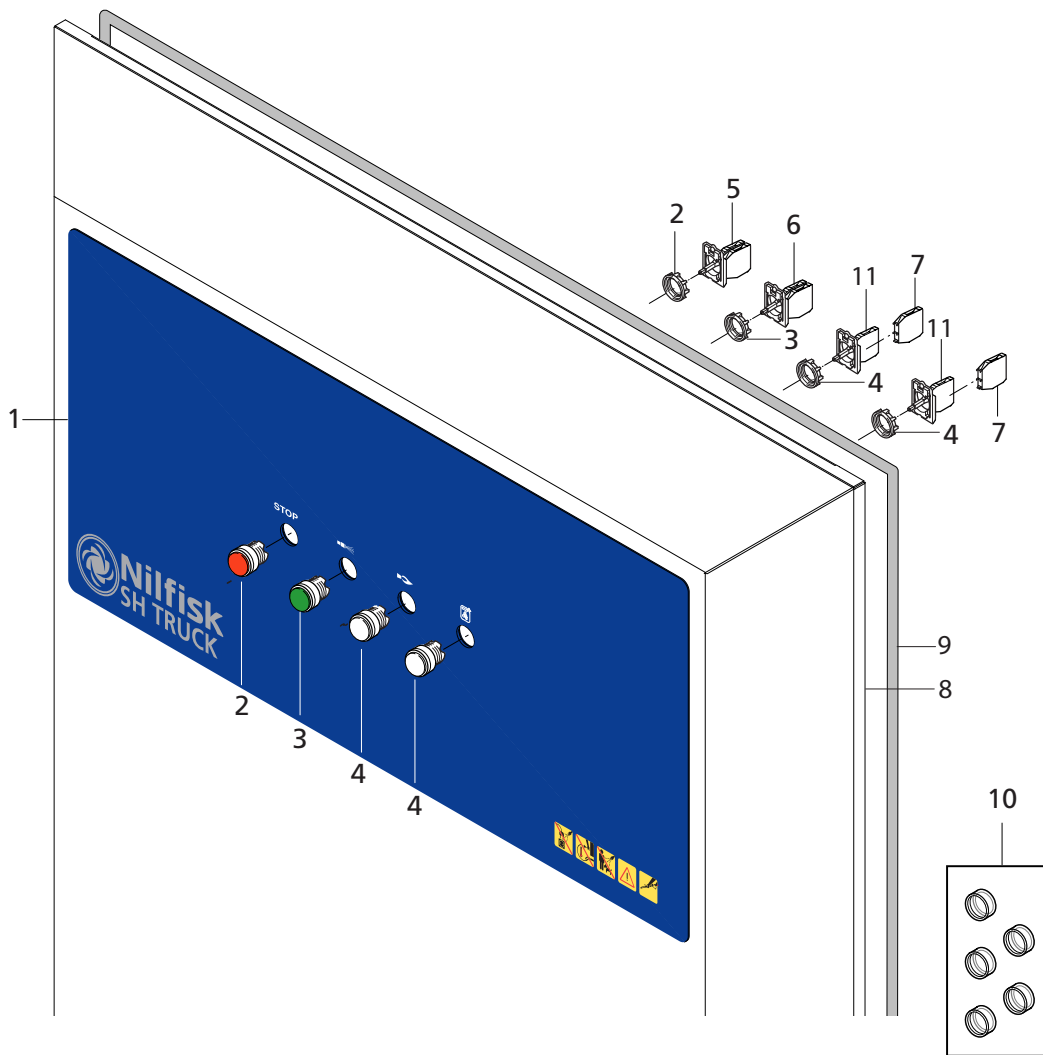
[1] - STOCK COVERS GUARANTEE



| Pos. | Artikel-Nr. | Menge | Variante | Notes |
|------|-------------|-------|---|-------|
| 1 | 3830121 | 1 | Griff für Hauptschalter | |
| 2 | 103821919 | 1 | Hauptschalter 25 A | |
| 2A | 103821907 | 1 | Wellenerweiterung | |
| 3 | 103821960 | 1 | Achse für Hauptschalter | |
| 4 | 103822307 | 1 | Schütz CJX2-D18-B7 24V | [1] |
| 4 | 103822306 | 1 | Schütz CJX2-D18-B7 24V | [2] |
| 5 | 103822328 | 1 | Thermorelais 17-25A | [3] |
| 5 | 103822327 | 1 | Thermorelais 12-18A | [4] |
| 6 | 103822011 | 1 | Safety device AEG C10 1P-N | [1] |
| 6 | 103822012 | 1 | SAFETY DEVICE C 10A 2P 10KA 230/400V AC | [5] |
| 7 | 103821828 | 1 | Relais 24V SNR | [1] |
| 8 | 103822062 | 1 | CONTROL TRANSFORMER 3X200V 50H | [6] |
| 8 | 103821847 | 1 | Steuertrafo 230V 24/19V | [7] |
| 9 | 11060 | 1 | Relais | [8] |
| 10 | 103822306 | 1 | Schütz CJX2-D18-B7 24V | [9] |
| 13 | 103822021 | 1 | SOCKET 2 POL | [10] |
| 14 | 103822020 | 1 | RELAY 2POLIG 12A 24V AC | [10] |
| 15 | 106426080 | 1 | PLC mit ALTO-Programm | |
| 16 | 3812385 | 1 | Feinsicherung 6,3 A | [11] |
| 17 | 106420051 | 1 | Steuerelektronik UNO DUO | |
| 18 | 103822014 | 1 | PLUG SOCKET 230V SCHUKO | |
| 19 | 103821922 | 6 | Abschlussplatte | |
| 20 | 103821921 | 2 | Endplatte | |
| 21 | 103821920 | 22 | Reihenklemme | |
| 22 | 103821967 | 8 | Kabelführung WAGO281 800V 4MM2 | |
| 23 | 103821968 | 1 | Endplatte WAGO 4MM2 | |
| 24 | 103821923 | 1 | Brücke 2-polig | |
| 25 | 103821969 | 1 | Steckbrücke | |
| 26 | 301001017 | 1 | Kondensator 60 µF | [8] |
| 27 | 301000403 | 1 | Anlaufkondensator 98µF 33 | [8] |
| 28 | 301000402 | 1 | Widerstand 15 kΩ | [8] |
| 29 | 64440 | 2 | Diode 6A | |
| 30 | 107318161 | 1 | MOTORKABEL MIT TYCO STECKER TRUCK/AUTO | |
| 31 | 101117839 | 1 | Klemmleiste | |

Part Notes:

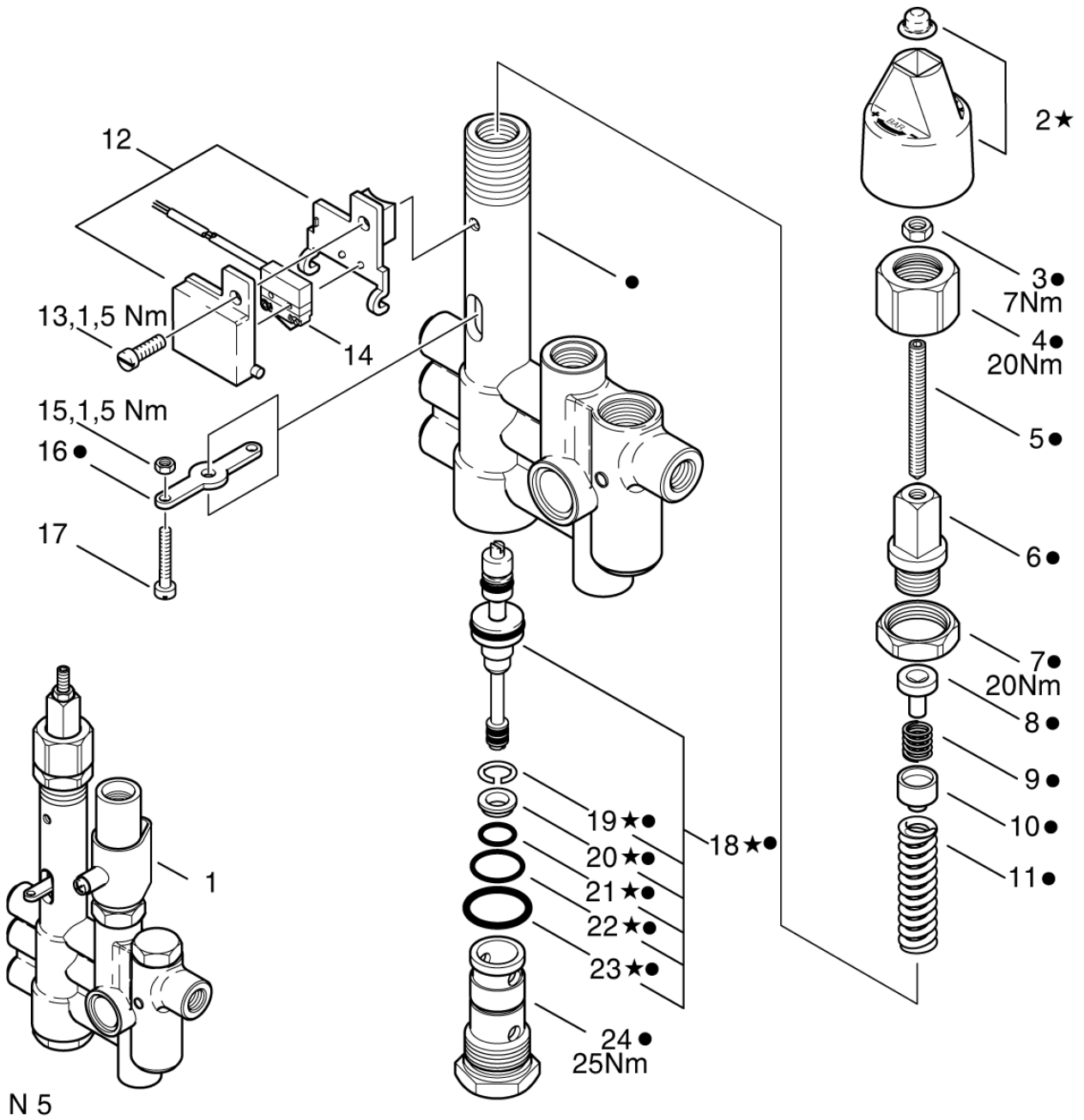
- [1] - 400-440V, (1X230V)
- [2] - 400/200/230
- [3] - 17-28A
- [4] - 12-16A
- [5] - 3X200-230V
NO LONGER AVAILABLE
- [6] - 3x200V 50Hz, JP
- [7] - 230V, 24/19V
- [8] - 1X230V
- [9] - AB 16A 24V
- [10] - 3X200-230V
- [11] - 6,3A I5X20



| Pos. | Artikel-Nr. | Menge | Variante | Notes |
|------|-------------|-------|---|-------|
| 1 | 107319200 | 1 | Front Label | |
| 2 | 103821824 | 1 | Leuchttaster Vorsatz rot | |
| 3 | 103821823 | 1 | Leuchttaster Vorsatz grün | |
| 4 | 103822008 | 1 | Taster mit Leuchte weiß | |
| 5 | 103821826 | 1 | Tastschalter Öffner | |
| 6 | 103821825 | 1 | Tastschalter Schließer | |
| 7 | 103821963 | 2 | Trennplättchen ZB5 AZ101 | |
| 8 | 107313213 | 1 | Fronttüre Schaltschank Autoboster 5-20D | |
| 9 | 106268068 | 1 | Dichtungsset | [1] |
| 10 | 107318028 | 1 | Schutzkappe (VPE 5 Stück) | |
| 11 | 103822007 | 2 | Leuchtenansatz | |

Part Notes:

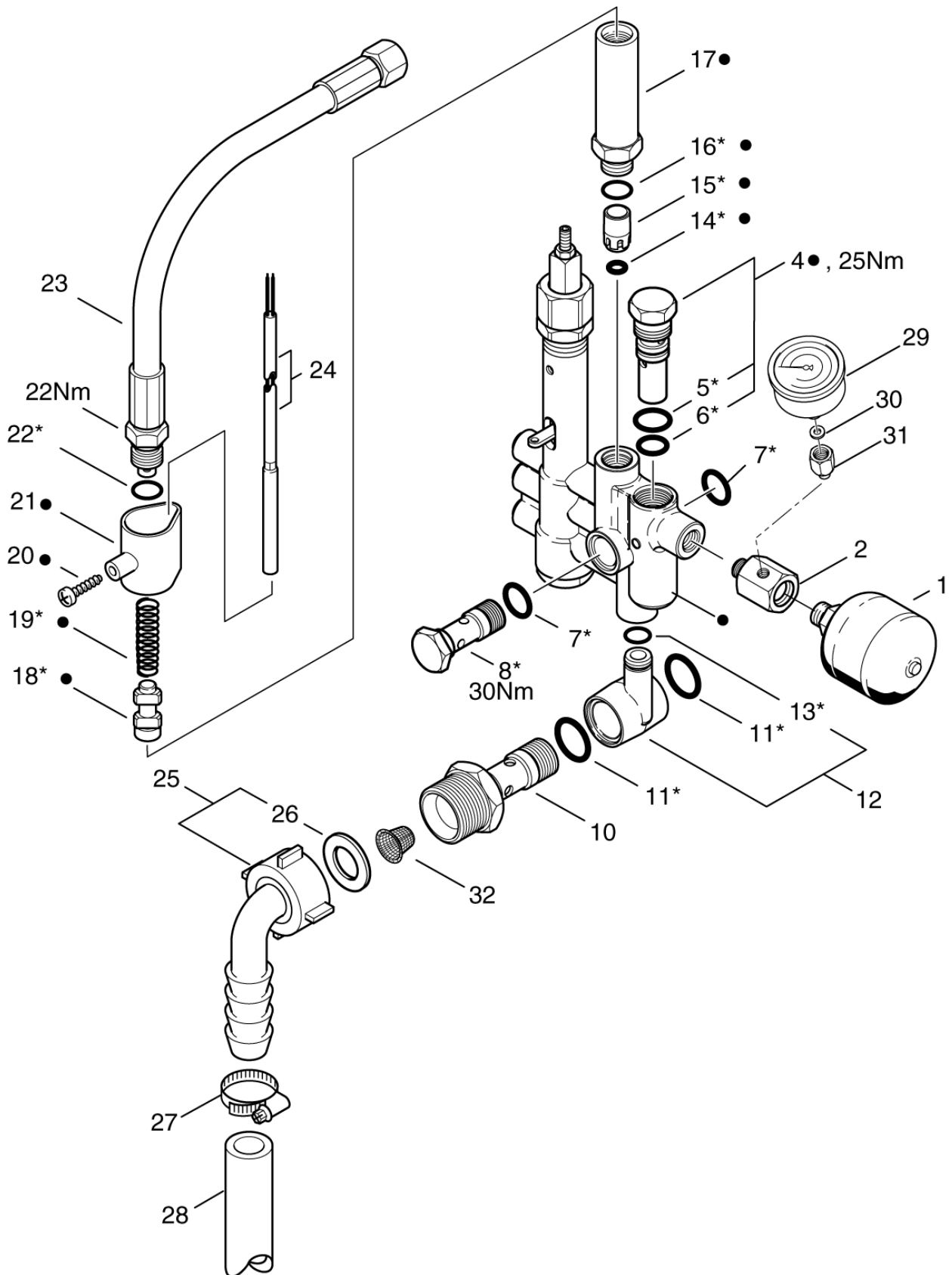
[1] - L= 6,5M



| Pos. | Artikel-Nr. | Menge | Variante | Notes |
|------|-------------|-------|-------------------------------------|-------|
| 0- | 63056 | 1 | Reparatursatz Regelsicherheitsblock | [1] |
| 1 | 301000902 | 1 | Regelsicherheitsblock N | [2] |
| 2 | 62397 | 1 | Drehgriff | |
| 3 | 3136 | 1 | Sechskantmutter M6 ISO 4032 zn | |
| 4 | 62710 | 1 | Überwurfmutter | |
| 5 | 62711 | 1 | Gewindestift M6x60 | |
| 6 | 62712 | 1 | Hohlschraube | |
| 7 | 62696 | 1 | Sechskantmutter M24x1,5x | |
| 8 | 62695 | 1 | Federhalter | |
| 9 | 62713 | 1 | Feder | |
| 10 | 62694 | 1 | Federhalter | |
| 11 | 40972 | 1 | Feder | |
| 12 | 62401 | 1 | Halter | |
| 13 | 3349 | 1 | Zylinderschraube M5x16 | |
| 14 | 301000731 | 1 | Schalter | |
| 15 | 2759 | 1 | Sechskantmutter M4 ISO 4032 -8 zn | |
| 16 | 62717 | 1 | Hebel | |
| 17 | 101117739 | 1 | Flachkopfschraube | |
| 18 | 64314 | 1 | Reparatursatz Steuerkolben | |
| 19 | 909100001 | 1 | Sprengring 14 | |
| 20 | 62708 | 1 | Ventilsitzring | |
| 21 | 49461 | 1 | O-Ring 11x1,5 | |
| 22 | 9523 | 1 | O-Ring 17x1,5 | |
| 23 | 32091 | 1 | O-Ring 21x2 | |
| 24 | 64301 | 1 | Hohlschraube | |

Part Notes:

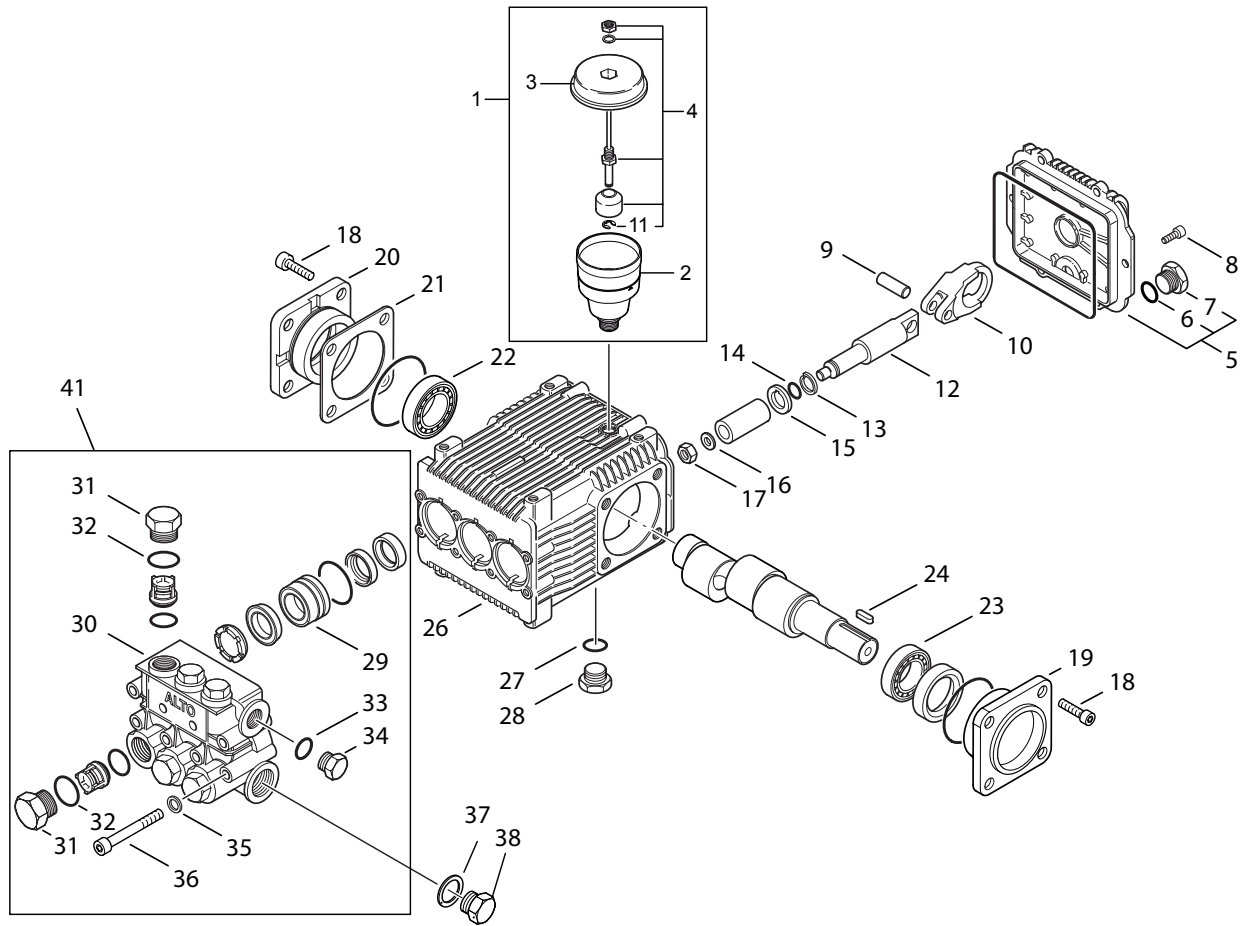
- [1] - includes part markt *
- [2] - includes part markt o



| Pos. | Artikel-Nr. | Menge | Variante | Notes |
|------|-------------|-------|-------------------------------------|-------|
| 0- | 63056 | 1 | Reparatursatz Regelsicherheitsblock | [1] |
| 0- | 301000902 | 1 | Regelsicherheitsblock N | [2] |
| 1 | 63090 | 1 | Hydrospeicher | |
| 2 | 107312001 | 1 | Muffe | |
| 4 | 62730 | 1 | Sicherheitsventil | |
| 5 | 16443 | 1 | O-Ring 17,0 x 2,0 DIN 3770 NBR70 | |
| 6 | 62706 | 1 | O-Ring 13,0 x 2,0 DIN 3770 NBR70 | |
| 7 | 16443 | 2 | O-Ring 17,0 x 2,0 DIN 3770 NBR70 | |
| 8 | 62697 | 1 | Hohlschraube | |
| 10 | 301001297 | 1 | Anschlussstück | |
| 11 | 24347 | 2 | O-Ring 21,0 x 2,5 DIN 3770 FPM80 | |
| 12 | 63058 | 1 | Anschlussstück | |
| 13 | 13739 | 1 | O-Ring 10,0 X2,0 DIN | |
| 14 | 56519 | 1 | O-Ring 6,5 x 3,0 SMS 1586 NBR90 | |
| 15 | 301000905 | 1 | Kolben | |
| 16 | 16998 | 1 | O-Ring 14x1,5 | |
| 17 | 62722 | 1 | Kolbenführung | |
| 18 | 57571 | 1 | Kolben | |
| 19 | 6231 | 1 | Feder | |
| 20 | 10028 | 1 | Ejotschraube KA50x14 WN1411 verz | |
| 21 | 62399 | 1 | Halter | |
| 22 | 62706 | 1 | O-Ring 13,0 x 2,0 DIN 3770 NBR70 | |
| 23 | 101406030 | 1 | HD-Schlauch | |
| 24 | 301002458 | 1 | Reedschalter | |
| 25 | 107142766 | 1 | Schlauchtülle | |
| 26 | 15587 | 1 | Dichtring 14x24x2 | |
| 27 | 8298 | 1 | Schlauchschele SGL 16-27 | |
| 28 | 106408242 | 1 | HOSE 5/8INCH - 2 METERS | |
| 29 | 3600301 | 1 | Manometer | |
| 30 | 1602127 | 1 | Ring 6/11x4,5 | |
| 31 | 107120603 | 1 | Nippel R1/8x18 | |
| 32 | 101117926 | 1 | Sieb | |

Part Notes:

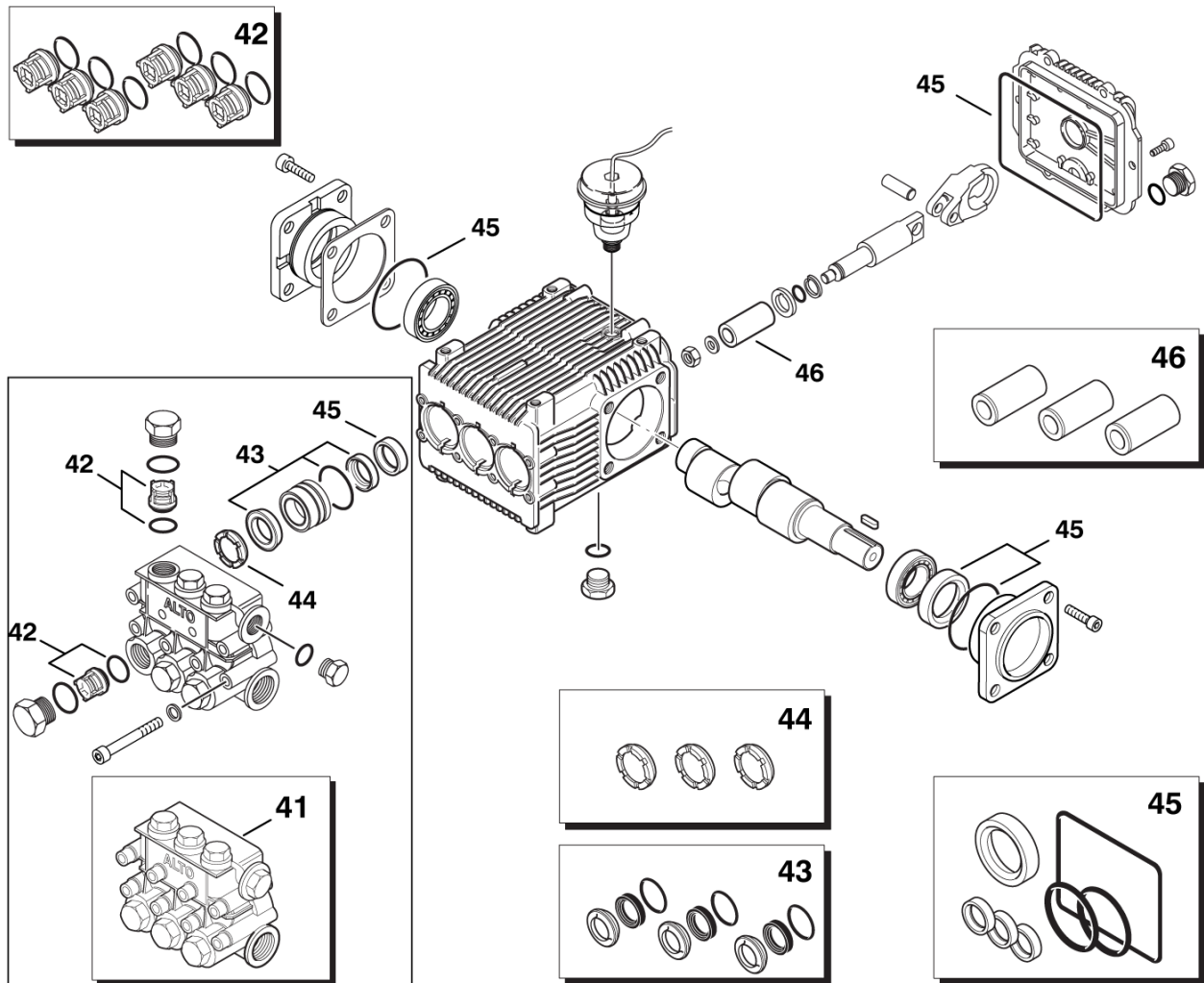
- [1] - includes part mark *
- [2] - includes part mark o



| Pos. | Artikel-Nr. | Menge | Variante | Notes |
|------|-------------|-------|------------------------------|-------|
| 0- | 107144146 | 1 | Pumpenöl NA5 1 Liter | [1] |
| 1 | 301000616 | 1 | Füllstandsanzeige Pumpenö | |
| 2 | 301000614 | 1 | Öltank | |
| 3 | 301000615 | 1 | Deckel | |
| 4 | 301001196 | 1 | Schwimmerschalter | |
| 5 | 301001158 | 1 | Deckel | |
| 6 | 56554 | 2 | O-Ring 14x1,78 | |
| 7 | 301001135 | 1 | Verschlussschraube | |
| 8 | 909100158 | 6 | Zylinderschraube M6x14 | |
| 9 | 301001138 | 3 | Bolzen | |
| 10 | 301001168 | 3 | Pleuel | |
| 11 | 107142593 | 1 | HOLDING WASHER PE | [2] |
| 12 | 301001156 | 3 | Kolbenführung | |
| 13 | 49900 | 3 | Stützring 8x11x1 | |
| 14 | 3001740 | 3 | O-RING 7.66X1.78 NITRIL 70SH | |
| 15 | 301001139 | 3 | Distanzscheibe | |
| 16 | 909100165 | 3 | Dichtring | |
| 17 | 909100167 | 3 | Mutter M8 | |
| 18 | 2788 | 8 | Zylinderschraube M8x16 | |
| 19 | 301001167 | 1 | Lagerdeckel | |
| 20 | 301001166 | 1 | Lagerdeckel | |
| 21 | 301001141 | 1 | Passscheibe 0,1 mm | |
| 21 | 301001143 | 1 | Passscheibe 80x80x0,25 | |
| 21 | 301001142 | 1 | Passscheibe 0,25 mm | |
| 21 | 301001140 | 1 | Passscheibe 0,05 mm | |
| 22 | 909100163 | 1 | Wälzlager 30304 | |
| 23 | 909100162 | 1 | Wälzlager 30205 | |
| 24 | 19639 | 1 | Passfeder A 8x7x25 | |
| 25 | 301001161 | 1 | Kurbelwelle No.6 | [3] |
| 25 | 301001163 | 1 | Nockenwelle | [4] |
| 26 | 301001157 | 1 | Pumpengehäuse | |
| 27 | 56554 | 1 | O-Ring 14x1,78 | |
| 28 | 301001135 | 1 | Verschlussschraube | |
| 29 | 301001154 | 3 | Buchse | |
| 30 | 301001172 | 1 | Ventilblock | |
| 31 | 301001137 | 6 | Verschlussschraube | |
| 32 | 103004342 | 6 | O-Ring 17,86x 2,62 NBR70 | |
| 33 | 1409 | 1 | Dichtring 17x23 | |
| 34 | 301001134 | 1 | Verschlussschraube | |
| 35 | 909100168 | 8 | Sicherungsscheibe 8 | |
| 36 | 1814597 | 8 | Zylinderschraube 8x70 | |
| 37 | 5127 | 1 | Dichtring | |
| 38 | 301001136 | 1 | Verschlussschraube | |
| 41 | 301001170 | 1 | Ventilblock | |

Part Notes:

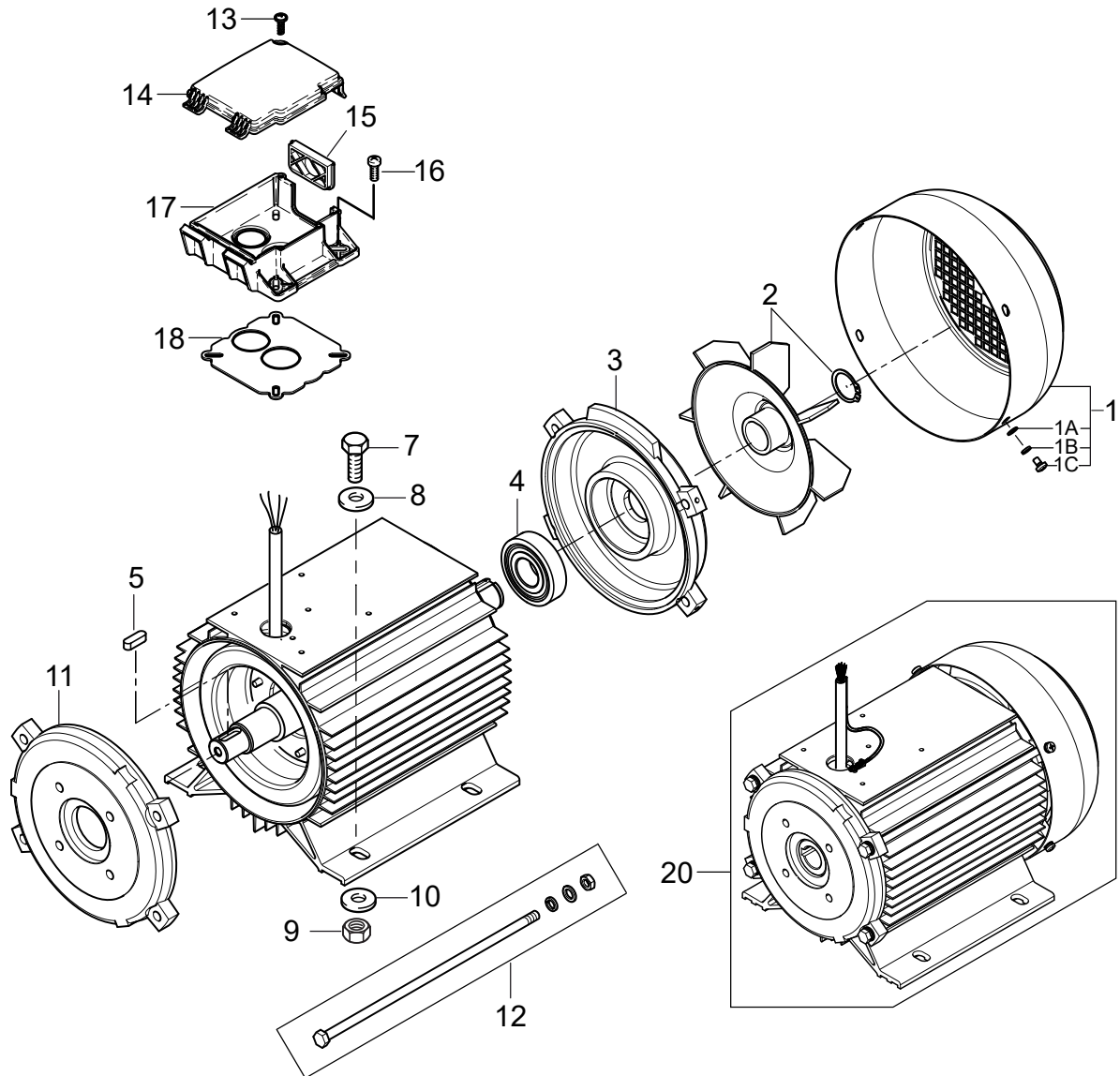
- [1] - SAE 15W 40, 0,45 l - OIL TYPES_QUANTITY for HPW_APRIL 2017
- [2] - TSB-PPW-2016-017 Locking ring for oil level switch falling off
- [3] - 5-30D
- [4] - 5-49D



| Pos. | Artikel-Nr. | Menge | Variante | Notes |
|------|-------------|-------|------------------------------|-------|
| 0- | 301000791 | 1 | Pumpe NP5 15L / 200 Bar | [1] |
| 0- | 301000790 | 1 | Pumpe NP5 | [2] |
| 41 | 301001170 | 1 | Ventilblock | |
| 42 | 301001153 | 1 | Satz Ventile 6 Stk. | |
| 43 | 301001148 | 1 | Dichtungssatz Kolben Ø 18 mm | |
| 44 | 301001151 | 1 | Satz Stützringe | |
| 45 | 301001150 | 1 | Satz Öldichtung | |
| 46 | 301001146 | 1 | Satz Kolben Ø 18 mm | |

Part Notes:

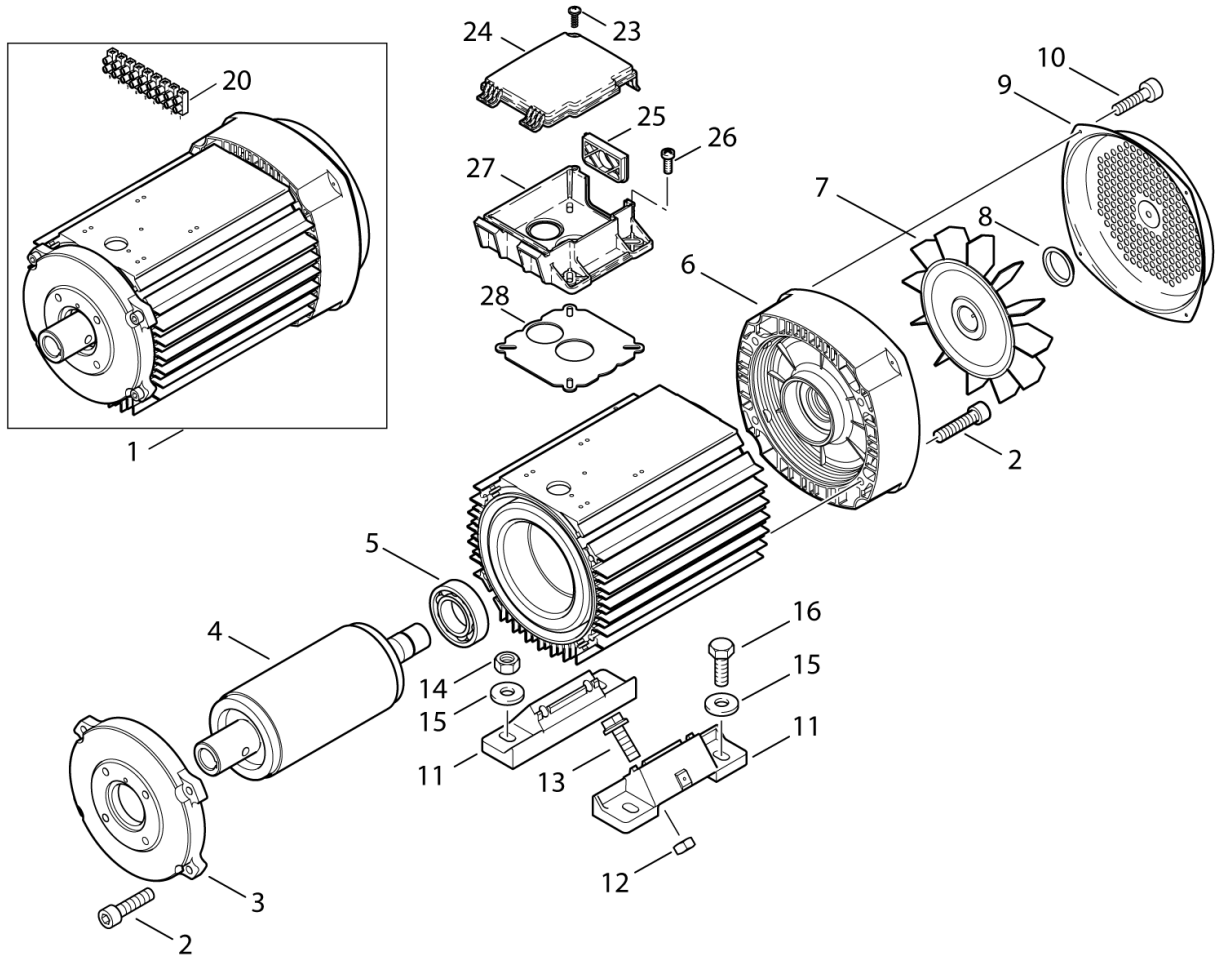
- [1] - 5-49D
- [2] - 5-30D



| Pos. | Artikel-Nr. | Menge | Variante | Notes |
|------|-------------|-------|----------------------------------|-------|
| | 31001229 | 1 | OIL ISO 150 ALPHASYN-T 20L | |
| 0 | 5218433 | 1 | Pumpenöl 150 1x1l | |
| 1 | 107144126 | 1 | Lüfterhaube | |
| 1A | 2763 | 4 | Scheibe 5,3x1,0 ISO 7089 zn | |
| 1B | | 4 | Spring washer Ø5 | |
| 1C | 1813781 | 4 | Schraube M5x8 7985 St-zn | |
| 2 | 107144125 | 1 | Lüfterrad | |
| 3 | 31000148 | 1 | Lagerdeckel | |
| 4 | 31000149 | 1 | Lager RF | |
| 5 | 19639 | 1 | Passfeder A 8x7x25 | |
| 6 | G120414 | 1 | Dichtring Ø30XØ47X7 | |
| 7 | 1801133 | 4 | Schraube M10X25 | |
| 8 | 2767 | 4 | Scheibe 10,5x2,0 ISO 7090 zn | |
| 9 | 8952 | 4 | Sechskantmutter M10 ISO 7042 zn | |
| 10 | 4827 | 4 | Scheibe 10,5x2,5 A ISO 7093-1 zn | |
| 11 | 301001119 | 1 | Lagerdeckel | [1] |
| 12 | 31000505 | 1 | Schraube M8x290 | |
| 12 | 31000504 | 1 | Schraube M8x265 | |
| 13 | 10028 | 4 | Ejotschraube KA50x14 WN1411 verz | |
| 14 | 301000782 | 1 | Deckel | |
| 15 | 17106 | 1 | Abschlussdeckel | |
| 16 | 20862 | 1 | Rohrmutter R1 | |
| 17 | 301000781 | 1 | Rahmen | |
| 18 | 301000845 | 1 | Dichtung | |
| 20 | 106408264 | 1 | | [2] |

Part Notes:

- [1] - 5-49 / 180/970
 [2] - SH TRUCK 5M-180/970 400/3/50 EU



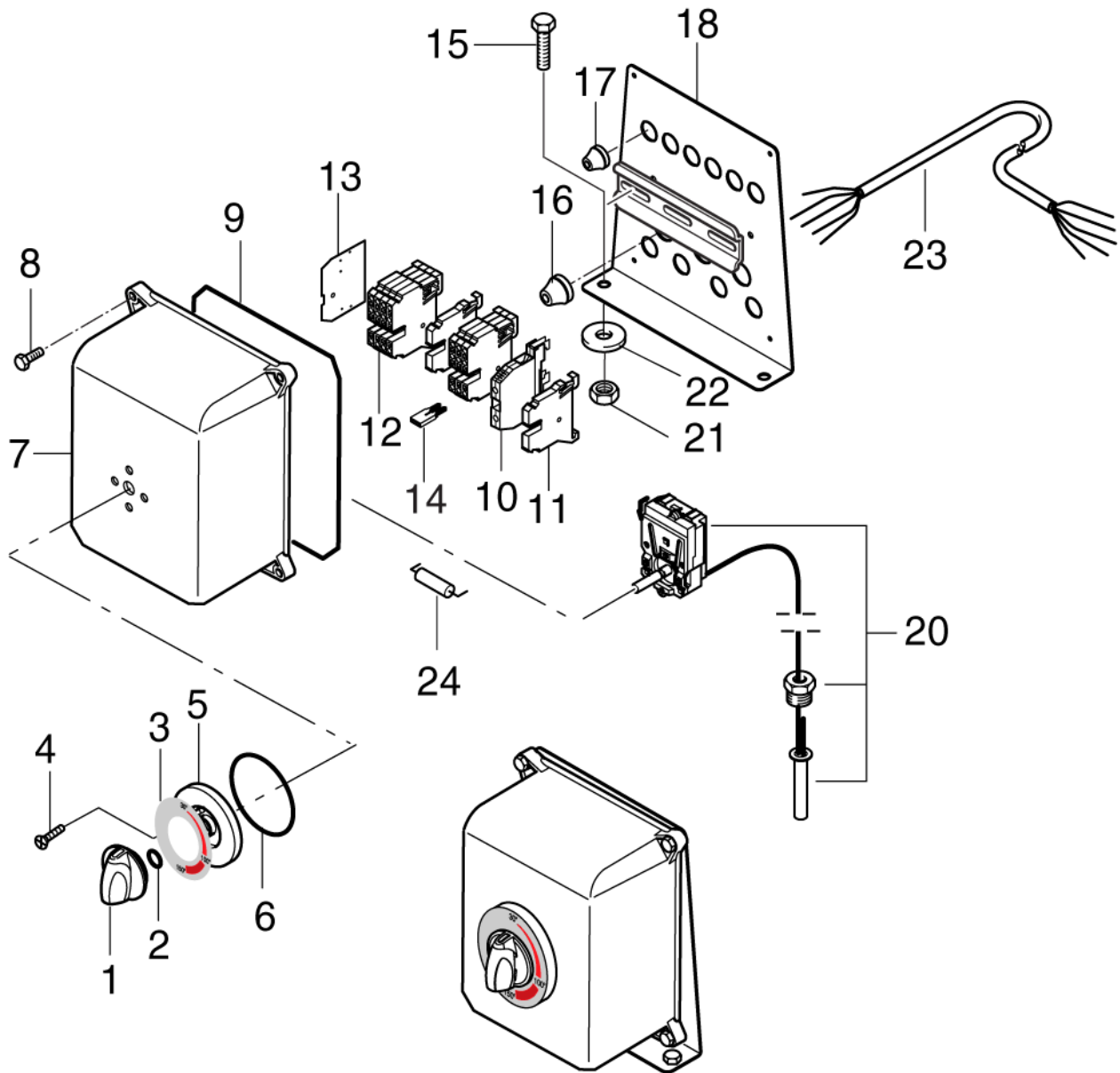
| Pos. | Artikel-Nr. | Menge | Variante | Notes |
|------|-------------|-------|--|-------|
| 1 | 101118020 | 1 | Elektromotor 400 V/50 Hz | [1] |
| 1 | 101118018 | 1 | MOTOR ELD112 2.2KW 230V | [2] |
| 2 | 6863 | 8 | Zylinderschraube M8x 35 ISO4762 8.8 zn | [1] |
| 2 | 15045 | 8 | Zylinderschraube M6x35 | [2] |
| 3 | 301001119 | 1 | Lagerdeckel | [1] |
| 3 | 301001120 | 1 | Lagerdeckel | [2] |
| 4 | 301001122 | 1 | Rotor | [3] |
| 4 | 301001121 | 1 | Rotor 230 V/50 Hz | [4] |
| 5 | 5905 | 1 | Wälzlager 6306-2Z | [1] |
| 5 | 6367 | 1 | Wälzlager 6206-2Z | [2] |
| 6 | 301001113 | 1 | Lagerdeckel | [1] |
| 6 | 301001114 | 1 | Lagerdeckel | [2] |
| 7 | 301001117 | 1 | Lüfterrad | [1] |
| 7 | 301001118 | 1 | IMPELLER | [2] |
| 8 | 301001112 | 1 | Klemmring | |
| 9 | 301001116 | 1 | Lüfterhaube | [2] |
| 9 | 301001115 | 1 | Lüfterhaube | [1] |
| 10 | 8822 | 4 | Blechschrabe 3,5x9,5 | |
| 11 | 301001126 | 2 | Motorfuß | [1] |
| 11 | 301001127 | 2 | Motorfuß H51mm | [2] |
| 12 | 1800515 | 1 | Sicherungsmutter M8 | |
| 13 | 27372 | 1 | Schraube M8x20 | |
| 14 | 61467 | 4 | Sechskantmutter M8 TENS | |
| 15 | 2793 | 4 | Scheibe 8,4x2,0 A ISO 7093-1 zn | |
| 16 | 2750 | 4 | Sechskantschraube M8x 25 ISO 4017 zn | |
| 23 | 10028 | 4 | Ejotschraube KA50x14 WN1411 verz | |
| 24 | 301000782 | 1 | Deckel | |
| 25 | 17106 | 1 | Abschlussdeckel | |
| 26 | 20862 | 1 | Rohrmutter R1 | |
| 27 | 301000781 | 1 | Rahmen | |
| 28 | 301000845 | 1 | Dichtung | |

Part Notes:

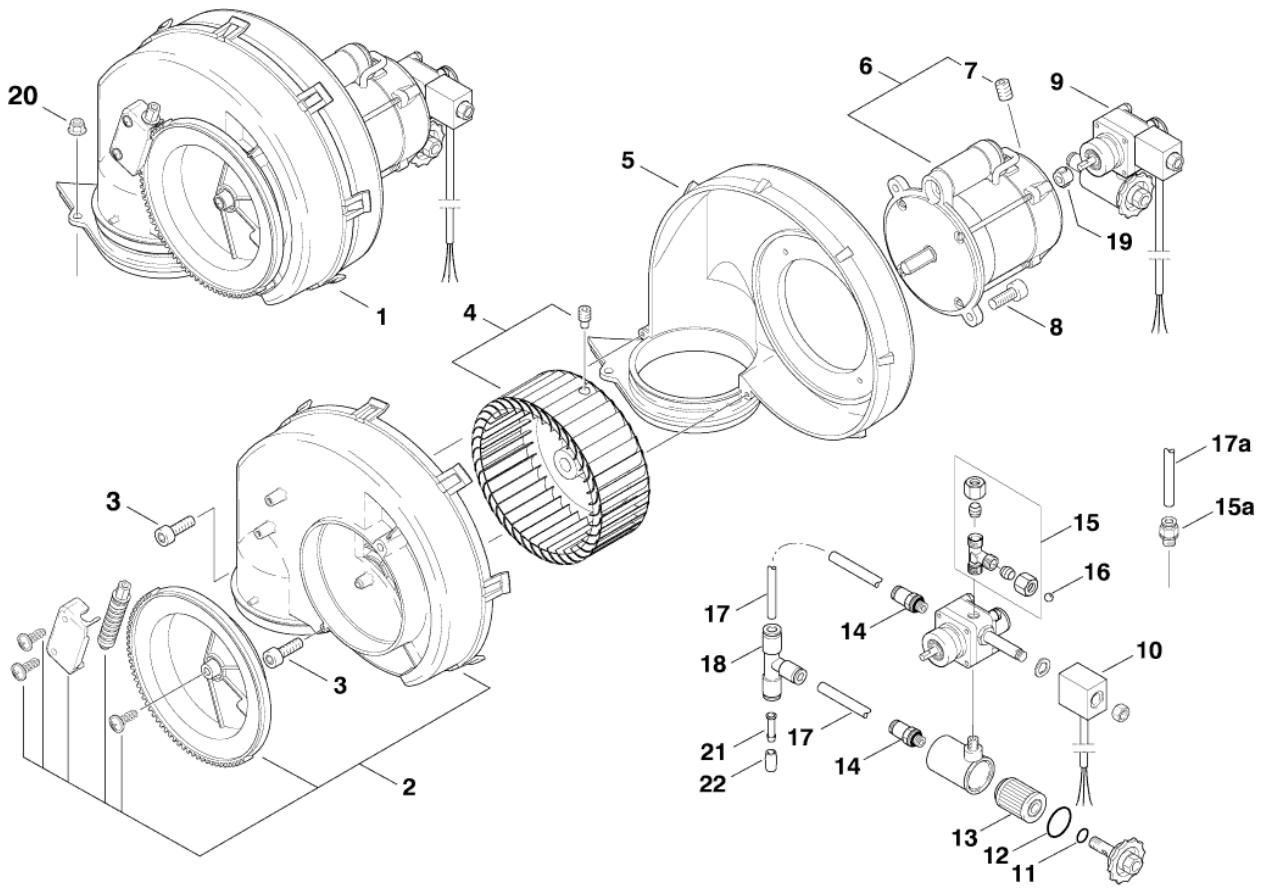
- [1] - 5-49 / 180/970
- [2] - 5-30 / 85/850
- [3] - ONLY COMPLETE MOTOR

- [4] - 5-49 / 180/970
- ONLY COMPLETE MOTOR

5-30 / 85/850



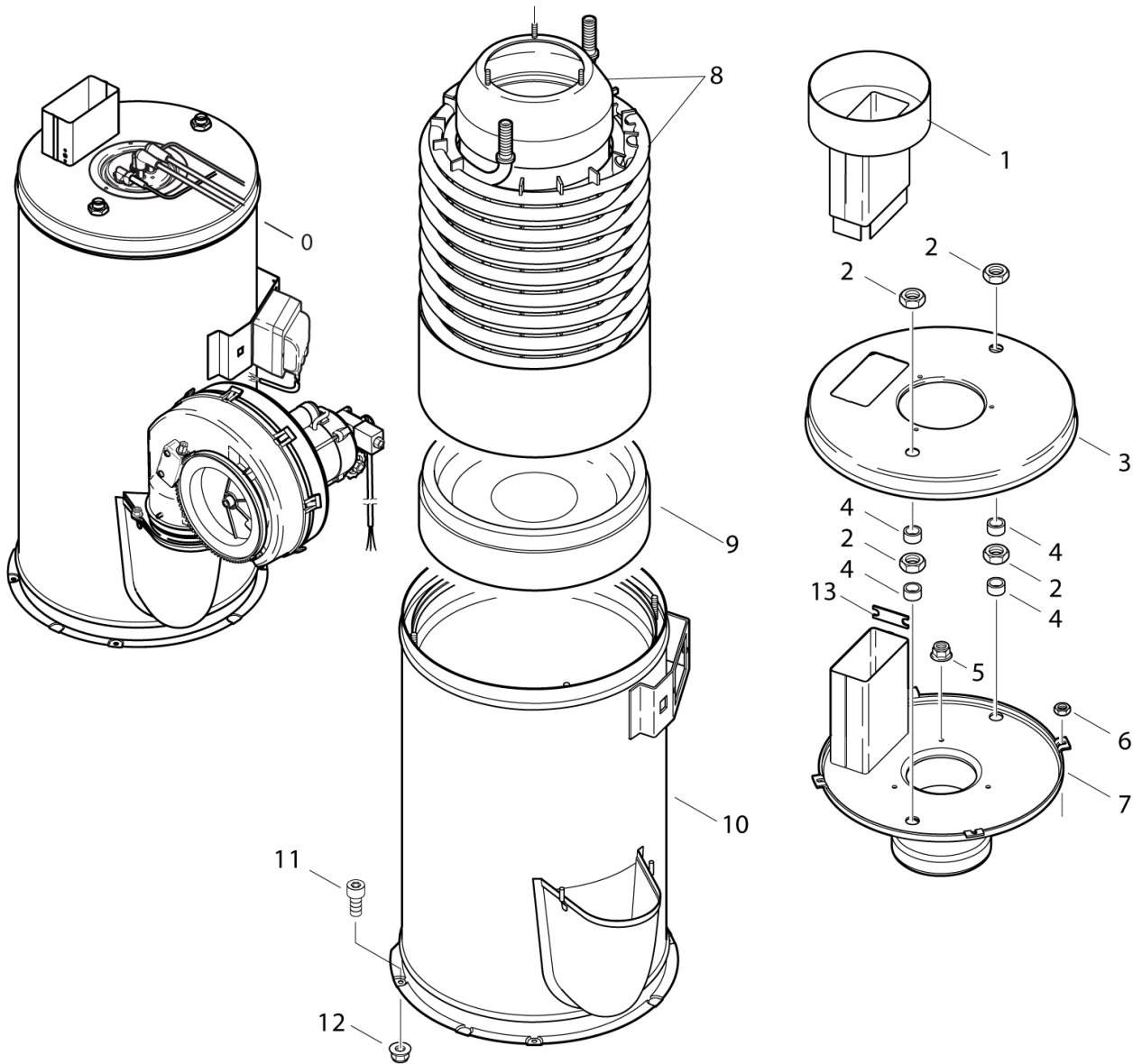
| Pos. | Artikel-Nr. | Menge | Variante | Notes |
|------|-------------|-------|-------------------------------|-------|
| 1 | 909100204 | 1 | Drehknopf 6x5 blau | |
| 2 | 9868 | 1 | O-Ring 10x2,5 | |
| 3 | 107319133 | 1 | Klebesch. für Thermostat | |
| 4 | 1801612 | 4 | Schraube | |
| 5 | 107313045 | 1 | Socket kpl. | |
| 6 | 3001443 | 1 | O-Ring | |
| 7 | 107316091 | 1 | Gehäuse Schaltkasten | |
| 8 | 1804822 | 4 | Schraube M4x16 | |
| 9 | 101406054 | 1 | Dichtung | |
| 10 | 4812278 | 2 | WIRE TERMINAL EARTH 4Q | |
| 11 | 103821922 | 1 | Abschlussplatte | |
| 12 | 103821920 | 13 | Reihenklemme | |
| 13 | 103821921 | 1 | Endplatte | |
| 14 | 103821923 | 1 | Brücke 2-polig | |
| 15 | 1810209 | 2 | SCREW HEX M10X20 A2 DIN6921 | |
| 16 | 3803772 | 6 | Tülle | |
| 17 | 3803764 | 7 | Stopfbuchse TET 5-7C | |
| 18 | 107313234 | 1 | PLATE FOR EL-BOX. BENDED | |
| 20 | 6698 | 1 | Thermostat | |
| 21 | 1802966 | 2 | Mutter M10 | |
| 22 | 1801968 | 2 | Scheibe | |
| 23 | 107318069 | 1 | CABLE FOR BURNER 3G2. 5 TR/AU | |
| 24 | 103822009 | 1 | Widerstand | |



| Pos. | Artikel-Nr. | Menge | Variante | Notes |
|------|-------------|-------|---------------------------------------|-------|
| 1 | 301000908 | 1 | Gebälsegehäuse Vorm. | |
| 1 | 301001395 | 1 | Gebälse Gehäuse Kerosin | [1] |
| 2 | 301000852 | 1 | Abdeckung | |
| 3 | 32535 | 2 | Zylinderschraube M5x16 | |
| 4 | 301000889 | 1 | Lüfterrad | |
| 5 | 301000495 | 1 | Lüftergehäuse | |
| 6 | 106408257 | 1 | BRENNERMOTOR - 0.23KW/230V/50HZ/1PH | |
| 6 | 106408258 | 1 | MOTOR BURNER - 0.29KW/230V/50HZ/1PH | [2] |
| 7 | 30180 | 1 | Gewindestift M5x10 DIN 91 | |
| 8 | 4697 | 1 | Zylinderschraube M6x16 | |
| 9 | 101117988 | 1 | Brennstoffpumpe | |
| 9 | 101117989 | 1 | Brennstoffpumpe | [3] |
| 10 | 101117987 | 1 | Magnetspule | |
| 11 | 9868 | 1 | O-Ring 10x2,5 | |
| 12 | 40907 | 1 | O-Ring 31,47x1,78 | |
| 13 | 1756 | 1 | Filter | |
| 14 | 29599 | 2 | Verschraubung | |
| 15 | 101118040 | 1 | Reparaturset für Oelpumpe | [4] |
| 15A | 301002070 | 1 | Verschraubung | [5] |
| 16 | 1804640 | 1 | Kugel 6 | [4] |
| 17 | 106408239 | 2 | TUBE D6 X 1 MEWA DIN 73378 - 5 METERS | |
| 17A | 909100141 | 1 | Brennstoffleitung 4x1 mm x 1 m | [5] |
| 18 | 28429 | 1 | Verschraubung | [4] |
| 19 | 1226 | 1 | Mitnehmer | |
| 20 | 12496 | 1 | Sechskantmutter M6 | |
| 21 | 17519 | 1 | SHL-TueLLE DN 6 D6X30 V | [4] |

Part Notes:

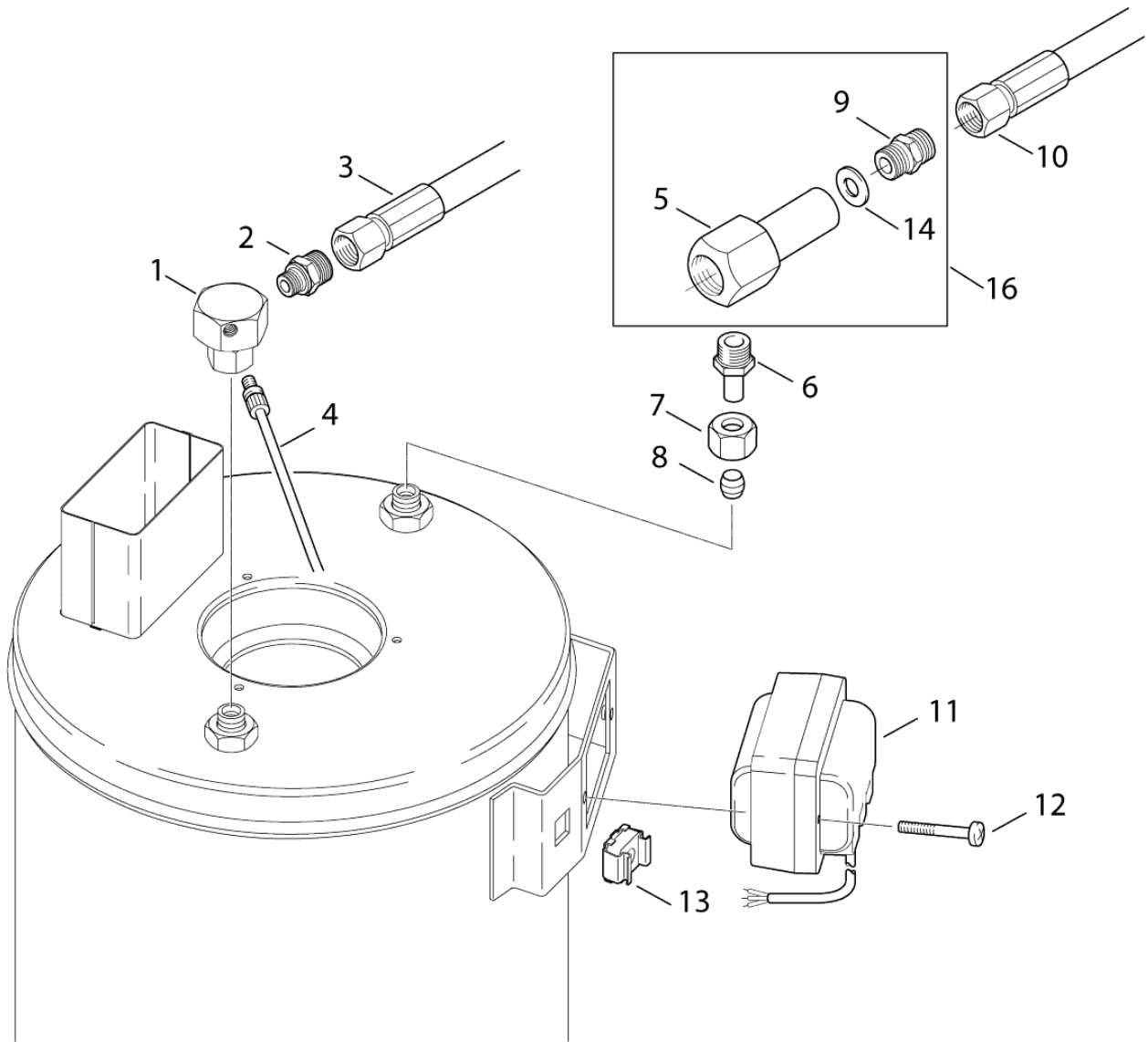
- [1] - 3x200V 50Hz, JP
 [2] - 3x200V 50Hz, *JP*
 [3] - 5-30D, 7-63D *JP*
 Kerosene
 [4] - up to 27. april 2006
 [5] - from 26. april 2006



| Pos. | Artikel-Nr. | Menge | Variante | Notes |
|------|-------------|-------|-------------------------------|-------|
| 00 | 107318177 | 1 | BOILER COMPLETE NEPTUNE 7 KIT | [1] |
| 1 | 301001089 | 1 | Abgasrohr D148x197 geschw | [2] |
| 2 | 7012 | 4 | Mutter 6kt M18x1,5 | |
| 3 | 301000534 | 1 | Deckel | |
| 4 | 301000582 | 4 | Hülse | |
| 5 | 12496 | 3 | Sechskantmutter M6 | |
| 6 | 12263 | 4 | Sechskantmutter M6 | |
| 7 | 301001843 | 1 | Brennerdeckel innen vorm. | [3] |
| 7 | 301001840 | 1 | Boiler Deckel Innen | [4] |
| 8 | 301001099 | 1 | Heizschlange-Set Neptun | [3] |
| 8 | 107143301 | 1 | HEIZSCHLANGE B5 EDELSTAHL | [4] |
| 8 | 301001098 | 1 | Heizschlange | [4] |
| 8 | 301001342 | 1 | Heizschlange-Set VA Ne | [3] |
| 9 | 301000916 | 1 | Isolierung | |
| 10 | 301000968 | 1 | Brennermantel | [5] |
| 10 | 301000969 | 1 | Brennermantel Kpl. Nept | [3] |
| 11 | 3913 | 4 | Zylinderschraube M6x12 | |
| 12 | 12496 | 4 | Sechskantmutter M6 | |
| 13 | 107318172 | 1 | PLATE FOR EXHAUST SPARE PART | |

Part Notes:

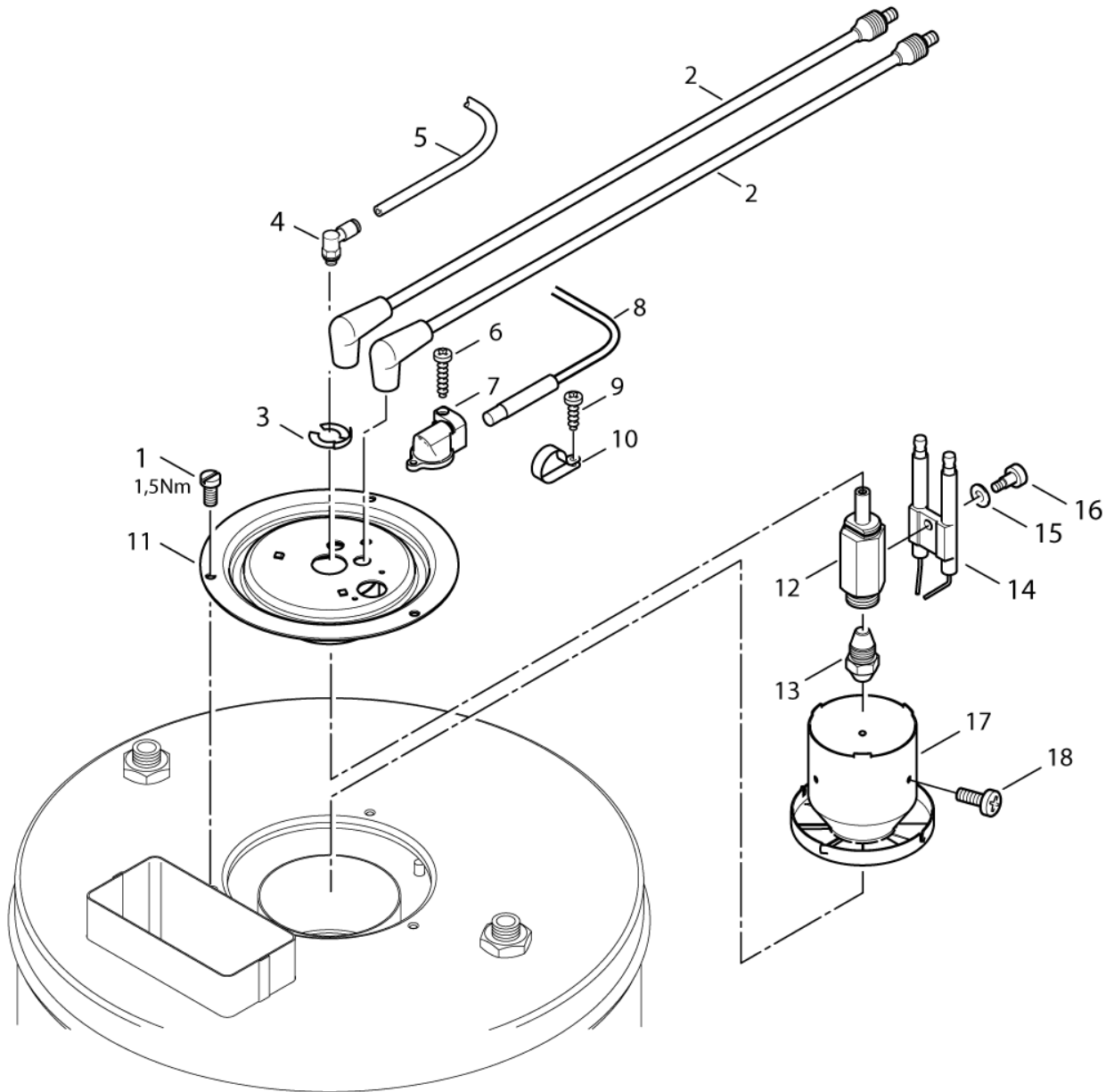
- [1] - 7-63D 400/3/50
- [2] - ACCESSORY
- [3] - 7
- [4] - 5
- [5] - 5 + 7-25



| Pos. | Artikel-Nr. | Menge | Variante | Notes |
|------|-------------|-------|---|-------|
| 1 | 107140927 | 1 | Verteiler | |
| 2 | 3938 | 1 | Anschlussstück | |
| 3 | 101406030 | 1 | HD-Schlauch | |
| 4 | 301000732 | 1 | Thermosicherung | |
| 5 | 107312042 | 1 | Gehäuse für Thermostat | |
| 6 | 6200558 | 1 | Verschraubung kompl. | |
| 7 | 1081 | 2 | Überwurfmutter DIN 3870-A L 12 St/zn | |
| 8 | 1080 | 2 | CUTTING RING L12 B DIN 3861 ST/ZN | |
| 9 | 1601079 | 1 | Verbindungsstück | |
| 10 | 101405741 | 1 | HD-Schlauch DN10 1250 DKL-DKL | |
| 11 | 301000879 | 1 | Zündtrafo | |
| 12 | 1809821 | 2 | Schraube M5x50 | |
| 13 | 909100152 | 2 | Mutter | |
| 14 | 1801075 | 1 | Dichtring | |
| 16 | | 1 | Pos. 5, 9, 14, 15 - use all parts on machines up to 2007.05 | [1] |

Part Notes:

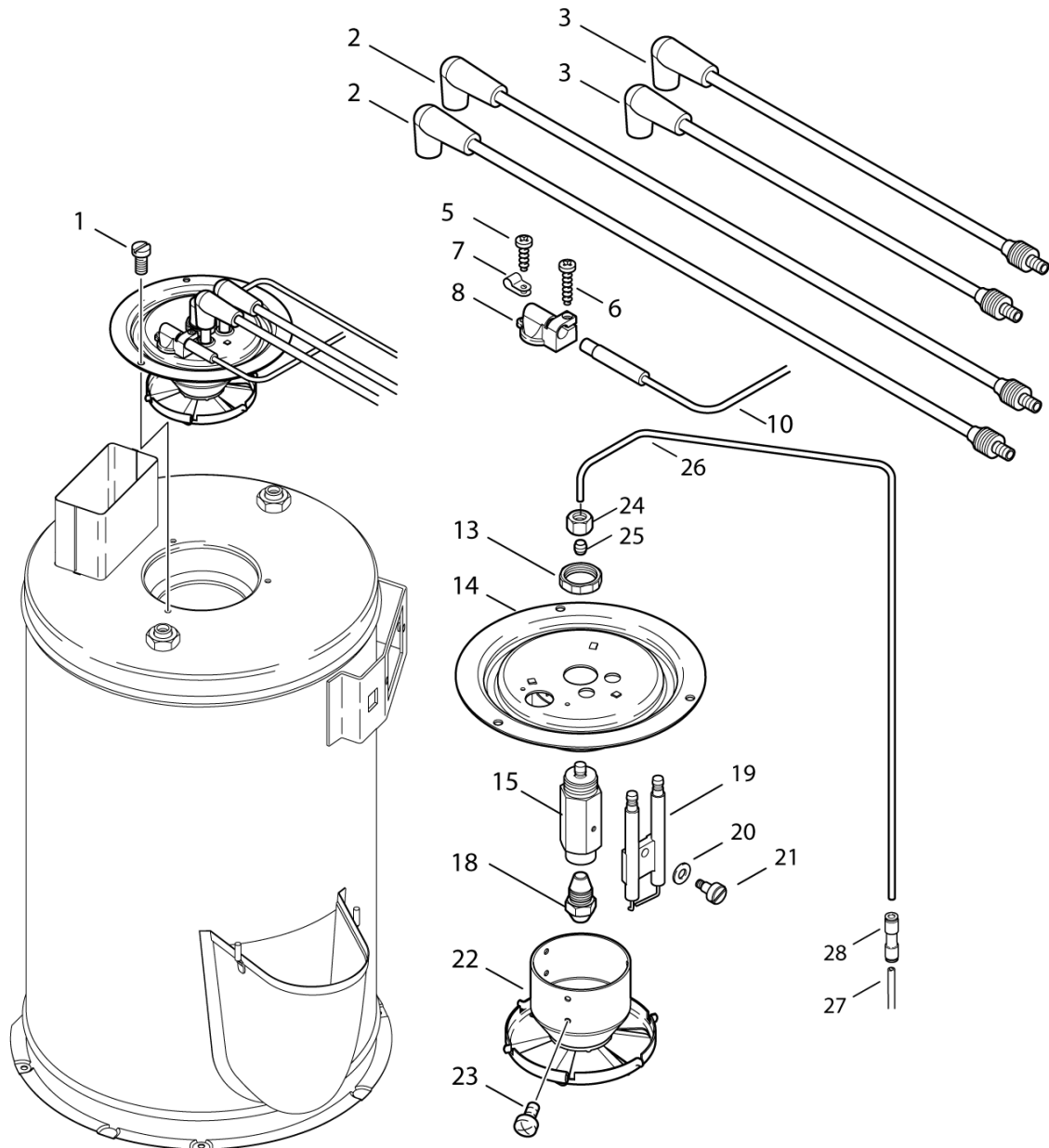
[1] - Pos. 5, 9, 14, 15 - use all parts on machines up to 2007.05



| Pos. | Artikel-Nr. | Menge | Variante | Notes |
|------|-------------|-------|----------------------------------|-------|
| 1 | 4820 | 3 | Zylinderschraube M5x10 | |
| 2 | 301000858 | 1 | Zündleitung | [1] |
| 2 | 301000859 | 1 | Zündkabel 7x650 | [2] |
| 3 | 101117876 | 1 | Sicherungsring | |
| 4 | 101117913 | 1 | Winkelverschraubung | |
| 5 | 909100141 | 1 | Brennstoffleitung 4x1 mm x 1 m | |
| 6 | 5606 | 1 | Blechschraube 2,9x19 | |
| 7 | 301000934 | 1 | Halter | |
| 8 | 301000729 | 1 | Fotodiode | |
| 9 | 4036 | 2 | Blechschraube 2,9x9,5 | |
| 10 | 301001069 | 1 | Kabelhalter | |
| 11 | 301000606 | 1 | Deckel | |
| 12 | 101117915 | 1 | Düsenstock | |
| 13 | 301001068 | 1 | Öldüse 1,35gal/h 60 H | [2] |
| 13 | 101118013 | 1 | Öldüse 2.25 GAL/H | [1] |
| 14 | 301150009 | 1 | Elektrode | |
| 15 | 909100144 | 1 | Federscheibe B5 | |
| 16 | 909100143 | 1 | Schraube M4x4,5 | |
| 17 | 301001834 | 1 | Stauscheibe | [2] |
| 17 | 301001833 | 1 | Stauscheibe 90x59,2 | [1] |
| 18 | 51848 | 3 | Linsenschraube M3x 4 DIN 7985 zn | |

Part Notes:

- [1] - 7
[2] - 5



| Pos. | Artikel-Nr. | Menge | Variante | Notes |
|------|-------------|-------|----------------------------------|-------|
| 1 | 4820 | 3 | Zylinderschraube M5x10 | |
| 2 | 301000858 | 2 | Zündleitung | [1] |
| 3 | 301000859 | 2 | Zündkabel 7x650 | [2] |
| 5 | 4036 | 1 | Blechschrabe 2,9x9,5 | |
| 6 | 5606 | 1 | Blechschrabe 2,9x19 | |
| 7 | 301001069 | 1 | Kabelhalter | |
| 8 | 301000934 | 1 | Halter | |
| 10 | 301000729 | 1 | Fotodiode | |
| 13 | 909100139 | 1 | Mutter M20x1 | [3] |
| 14 | 301000606 | 1 | Deckel | |
| 15 | 301001548 | 1 | Düsenstock | [3] |
| 18 | 301001068 | 1 | Öldüse 1,35gal/h 60 H | [4] |
| 18 | 301000886 | 1 | Düse 1.75 GAL 60 Grad | [5] |
| 19 | 301150009 | 1 | Elektrode | |
| 20 | 909100144 | 1 | Federscheibe B5 | |
| 21 | 909100143 | 1 | Schraube M4x4,5 | |
| 22 | 301001834 | 1 | Stauscheibe | [6] |
| 22 | 301001833 | 1 | Stauscheibe 90x59,2 | [7] |
| 23 | 51848 | 3 | Linsenschraube M3x 4 DIN 7985 zn | |
| 24 | 1603430 | 1 | Überwurfmutter L 4 | |
| 25 | 1603448 | 1 | Schneidring L 4 | |
| 26 | 301002072 | 1 | Rohr | |
| 27 | 909100141 | 1 | Brennstoffleitung 4x1 mm x 1 m | |
| 28 | 301001912 | 1 | Kupplung | |

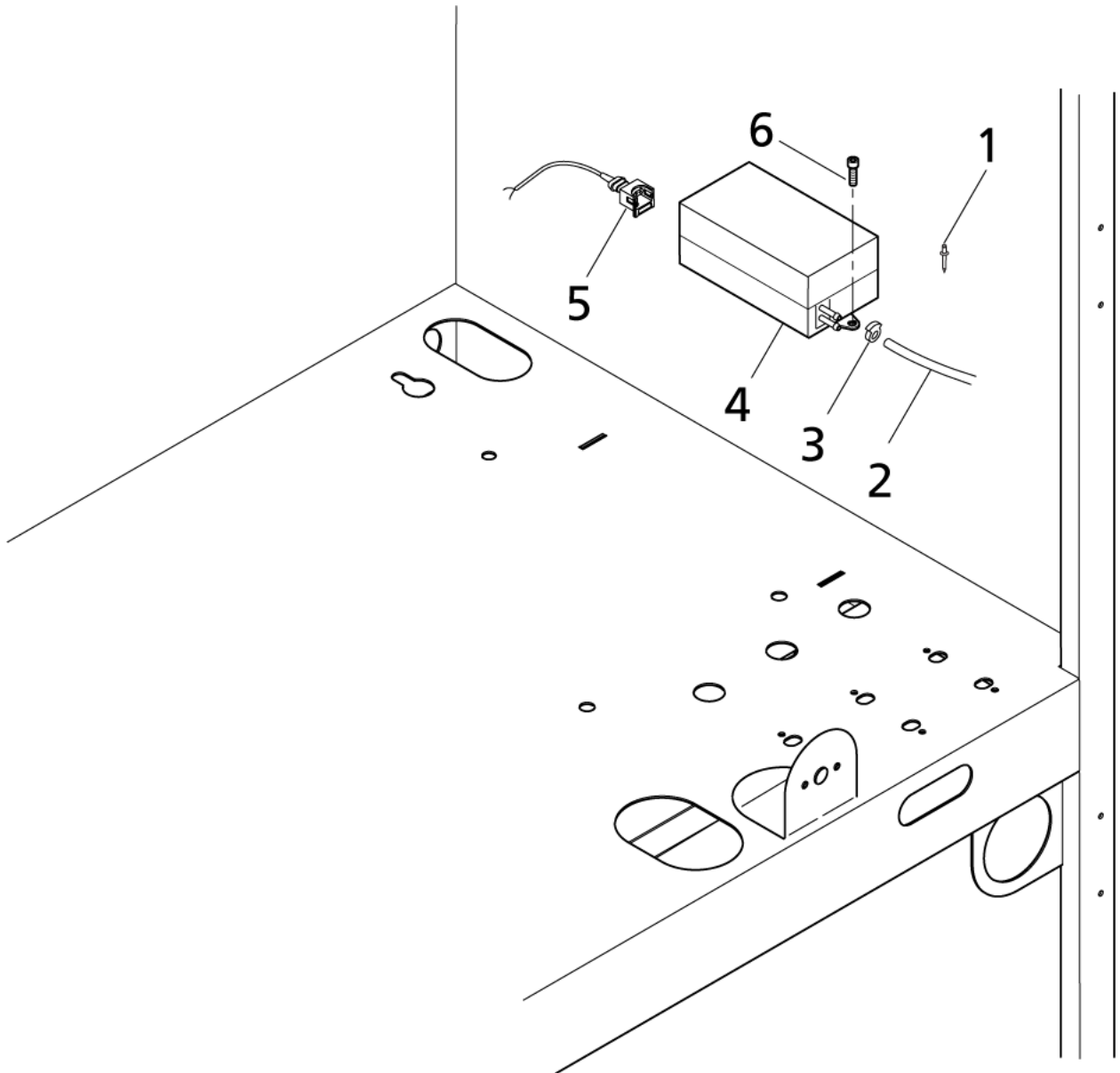
Part Notes:

- [1] - N5
- [2] - N7
- [3] - STOCK COVERS GUARANTEE
- [4] - 5, 1~
- [5] - 5, 3~
- [6] - 5
- [7] - 7

| Pos. | Artikel-Nr. | Menge | Variante | Notes |
|------|-------------|-------|---|-------|
| 00 | 106403122 | 1 | ERGO 2000 STANDARD W. HOSE SWIVEL | [1] |
| 00 | 6101766 | 1 | HD-Schlauch DN10x10m/3/8 | [2] |
| 01 | 106403010 | 1 | TORNADO PLUS 1120 Geb. o. Düse | [3] |
| 01 | 101119496 | 1 | Schlauchkupplung Rep.Satz | |
| 01 | 101119747 | 1 | HD-Düse 0680 TORNADO | [4] |
| 01 | 101119743 | 1 | HD-Düse 0550 TORNADO neongrün | [5] |
| 01 | 101119748 | 1 | HD-Düse 0700 TORNADO | [6] |
| 01 | 106402190 | 1 | ERGO 3000, Pistole mit Drehverriegelung | [7] |
| | 107370973 | 1 | Fernbedienung 4 Taster | |

Part Notes:

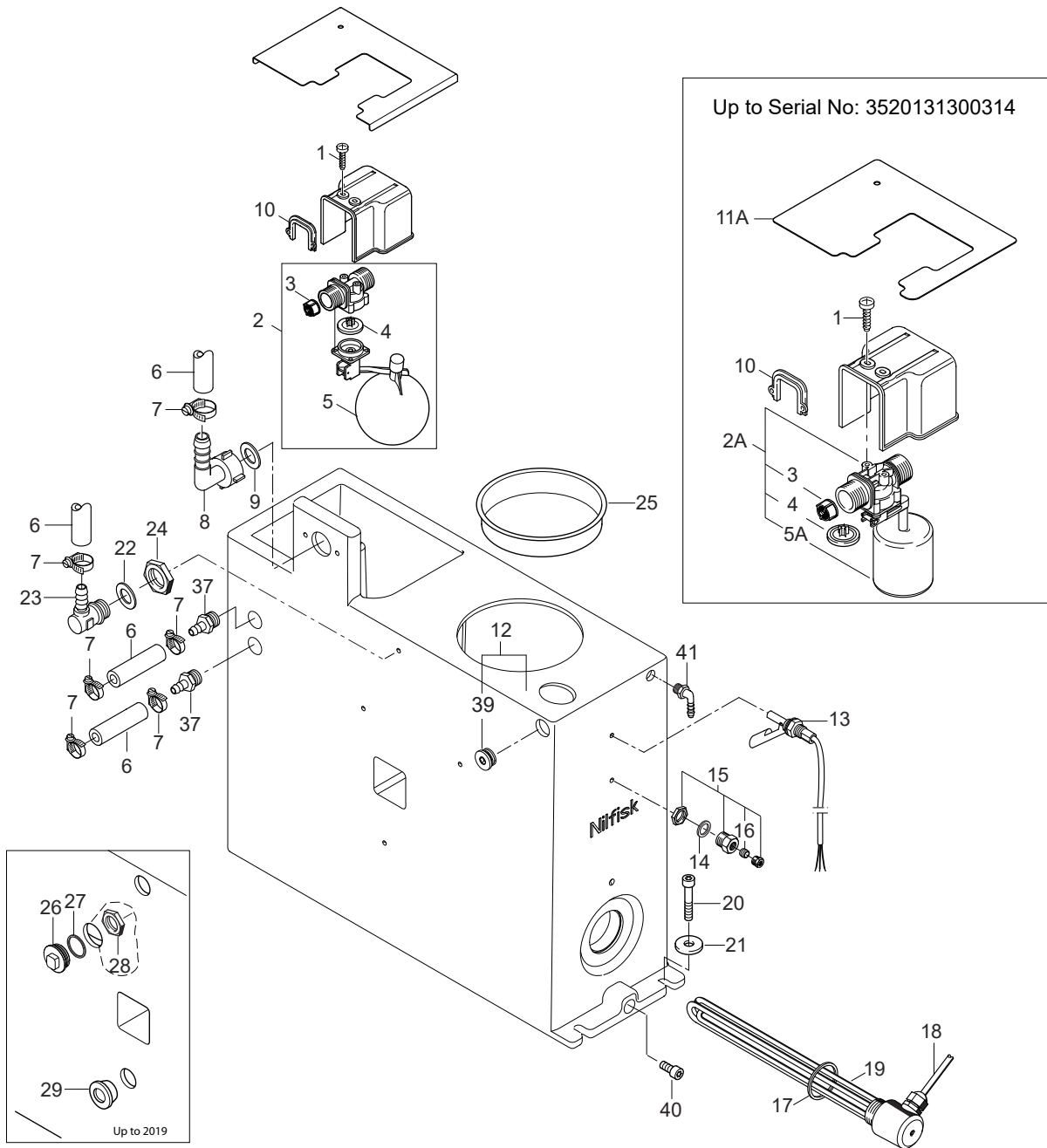
- [1] - ERGO 2000 Spray handle
- [2] - HOSES Overview
- [3] - TORNADO PLUS lance
- [4] - 7-63D
- [5] - 5-49D
- [6] - 5-30D
- [7] - ERGO 3000 Spray handle with swivel lock - from 15.09.03



| Pos. | Artikel-Nr. | Menge | Variante | Notes |
|------|-------------|-------|-------------------------------|-------|
| 0- | 107370974 | 1 | Kalkschutzeinrichtung | |
| 1 | 101814688 | 2 | POP-NUT M4 | |
| 2 | 5226147 | 1 | Schlauch 4 / 7,2 klar | |
| 3 | 1814151 | 1 | Schlauchschelle 7,8-8,7x | |
| 4 | 3821492 | 1 | KS-Pumpe ST 15 24V | |
| 5 | 4812338 | 1 | Leitung 1200mm mit Stecke | |
| 4+5 | 107309185 | 1 | SOFTENER PUMP | [1] |
| 6 | 1800606 | 2 | SCREW CROSS M4X10 FZB DIN7985 | |

Part Notes:

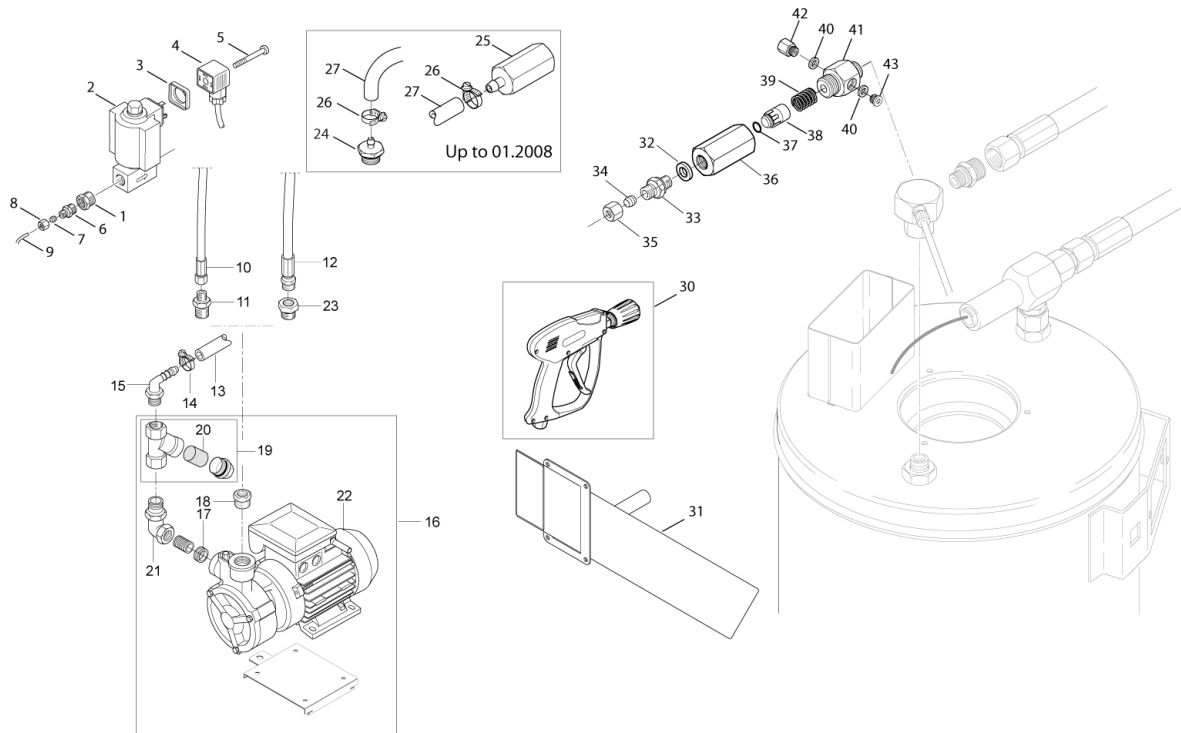
[1] - Will replace 3821492+ 4812338



| Pos. | Artikel-Nr. | Menge | Variante | Notes |
|------|-------------|-------|------------------------------------|-------|
| 0- | 107370971 | 1 | Frostschutzsicherung | |
| 1 | 16860 | 2 | EP- Schraube KA 40x12 WN1412 A2 | |
| 2 | 107318167 | 1 | FLOAT VALVE DN10 | [1] |
| 2A | 63349 | 1 | Ventil | |
| 3 | 34225 | 1 | Filter | |
| 4 | 62878 | 1 | Membrane | |
| 5 | 11418 | 1 | Schwimmer | |
| 5A | 62877 | 1 | Schwimmer | |
| 6 | 106408242 | 1 | HOSE 5/8INCH - 2 METERS | |
| 7 | 1810191 | 6 | Schlauchschelle 14-27 | |
| 8 | 107142766 | 2 | Schlauchtülle | |
| 9 | 15587 | 1 | Dichtring 14x24x2 | |
| 10 | 11243 | 1 | Halter | |
| 11 | 107315057 | 1 | COVER FOR WATERTANK PLASTIC AUTO B | [2] |
| 11A | 107318168 | 1 | Deckel für Wassertank | [1] |
| 12 | 107318166 | 1 | WATER TANK AUTO BOOSTER | [1] |
| 13 | 3817582 | 1 | Niveaunkontakt LS 103-12 | |
| 14 | 1801075 | 1 | Dichtring | |
| 15 | 107318000 | 1 | Verschraubung | |
| 16 | 101609437 | 1 | Kegelring 8mm | |
| 17 | 3717 | 1 | O-Ring 42,0 x3,0 NBR90 | |
| 18 | 107318073 | 1 | KABEL FUER HEIZUNG E12 | |
| 19 | 107317070 | 1 | HEATING ELEMENT 6KW 400/230V | |
| 20 | 1812247 | 2 | SCREW M8X30 A2 HFC1888 | |
| 21 | 1813567 | 2 | WASHER 25/8.4 A2 DIN9021 | |
| 22 | 107307369 | 5 | GASKET 21X30X2 | |
| 23 | 3448 | 1 | SHL-TueLLE-W DN10G1/2 K | |
| 24 | 101609356 | 1 | Mutter | |
| 25 | 104601176 | 1 | Revisionsabdeckung | |
| 26 | 3004350 | 2 | PLUG 3/8 RG | |
| 27 | 52490 | 1 | Dichtring 17,0x 24,0x 2,0 IT | [3] |
| 28 | | 1 | NUT 6KT- G3/8 FLANGE MS | |
| 29 | 107307364 | 1 | PLUG D36X18 WATERTANK | |
| 37 | 101609359 | 3 | Schlauchnippel | |
| 39 | G181419 | 1 | Stopfen 24X12 | |
| 40 | 1810019 | 1 | Schraube M10X16 SS | [3] |
| 41 | 107318135 | 1 | HOSE TAIL ELBOW 12X1/4 | [1] |

Part Notes:

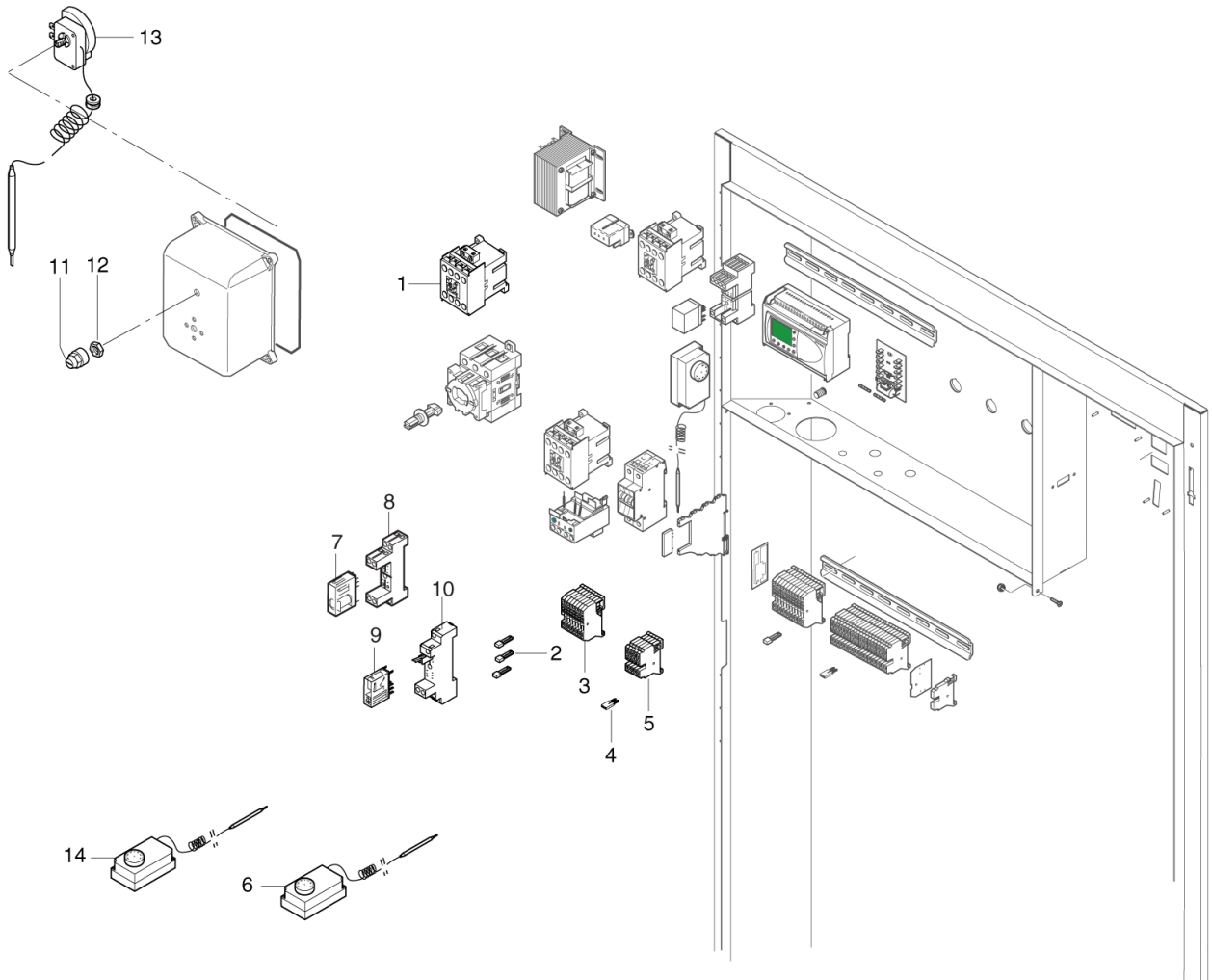
- [1] - from serial no. 2010967543
 [2] - NO LONGER AVAILABLE
 [3] - STOCK COVERS GUARANTEE



| Pos. | Artikel-Nr. | Menge | Variante | Notes |
|------|-------------|-------|--|-------|
| 1 | 1601046 | 1 | Reduzierstück | |
| 2 | 103822026 | 1 | Magnetventil 230V 50Hz | |
| 3 | 17767 | 1 | Dichtung | |
| 4 | 34865 | 1 | STECKER MAGNETV- 2000 MM | [1] |
| 5 | 17768 | 1 | Linsenschraube M3x25 H DIN 7985 ni | |
| 6 | 1603422 | 2 | Verbindungsstück | |
| 7 | 1603448 | 2 | Schneidring L 4 | |
| 8 | 1603430 | 2 | Überwurfmutter L 4 | |
| 9 | 106408006 | 1 | Messing Rohr 1000mm | |
| 10 | 101405741 | 1 | HD-Schlauch DN10 1250 DKL-DKL | [2] |
| 11 | 107143122 | 1 | THREADED CONNECTION D12X1/2 INCH | |
| 12 | 101406064 | 1 | Schlauch, stahlarmiert D6 | |
| 13 | 106408242 | 1 | HOSE 5/8INCH - 2 METERS | |
| 14 | 1810191 | 1 | Schlauchschelle 14-27 | |
| 15 | 101609353 | 1 | Schlauchstutzen, Winkel | |
| 16 | 107318144 | 1 | Pumpe Umbausatz | |
| 17 | 107318141 | 1 | REDUCTION 1X3/4 | |
| 18 | 107318142 | 1 | COUPLER 1X1/2 | |
| 19 | 107318140 | 1 | Filter 3/4 | |
| 20 | 31000342 | 1 | Filter 3/4 Inch | |
| 21 | 101609387 | 1 | Verschraubung G 3/4 mit O | |
| 22 | 103822410 | 1 | Pumpe 0.37kW 230/1/50 | |
| 23 | 107312002 | 1 | Zwischenstück | |
| 24 | 107120313 | 1 | Schlauchtülle 6/R1/2 | |
| 25 | 107312022 | 1 | Gehäuse f. Rückschlagvent | [1] |
| 26 | 1807593 | 3 | Schelle 7-13 mm, Rostfrei | |
| 27 | 4973 | 1 | Schlauch 6x3 mm x 1 m | |
| 27 | 101406100 | 1 | Schlauch 6x3 mm x 5 m | |
| 30 | 106402243 | 1 | Pistole wintersicher | |
| 31 | 107313268 | 1 | Strahlrohrhalter geschw. | |
| 32 | 101814735 | 1 | Dichtring | |
| 33 | 1821 | 1 | Verbindungsstück | |
| 34 | 1600550 | 1 | SCHNEIDRING | |
| 35 | 1600543 | 1 | ÜBERWURFMUTTER | |
| 36 | 107312006 | 1 | Gehäuse für Rückschlag- | |
| 37 | 56519 | 1 | O-Ring 6,5 x 3,0 SMS 1586 NBR90 | |
| 38 | 301000905 | 1 | Kolben | |
| 39 | 18067 | 1 | Feder | |
| 40 | 1605 | 2 | Dichtring 10,0x 14,0x 1,5 DIN7603 A CU | |
| 41 | 107312021 | 1 | Zwischenstück | |
| 43 | 4443 | 2 | Shr Vers. G1/8 DIN 9 | |

Part Notes:

- [1] - STOCK COVERS GUARANTEE
 [2] - Only AUTO BOOSTER



| Pos. | Artikel-Nr. | Menge | Variante | Notes |
|------|-------------|-------|---------------------------------|-------|
| 1 | 103822306 | 2 | Schütz CJX2-D18-B7 24V | |
| 2 | 103821969 | 3 | Steckbrücke | |
| 3 | 103821967 | 8 | Kabelführung WAGO281 800V 4MM2 | |
| 4 | 103821923 | 1 | Brücke 2-polig | |
| 5 | 103821920 | 5 | Reihenklemme | |
| 6 | 103822056 | 1 | Thermostat -35- 35C | |
| 7 | 41570 | 1 | Schaltrelais 2-polig 24V DC 5A | |
| 8 | 41573 | 1 | Socket | |
| 9 | 103821913 | 1 | MINI RELAY 1POL. 24VAC | |
| 10 | 103821914 | 1 | BASE FOR MINI RELAY 1POL | |
| 11 | 34970 | 1 | Kappe f. Temp.-Begrenzer | |
| 12 | 47313 | 1 | Mutter M10x1x3 | |
| 13 | 101118278 | 1 | SAFETY THERMOSTAT 97 DEG 6K KIT | |
| 14 | 103822056 | 1 | Thermostat -35- 35C | |

Resource notes:

A-Parts. Wearing parts. Number of machines x1,2 B-Parts. Wearing parts. Number of machines x0,6 C-Parts:
Wearing parts. Number of machines x0,4 Not marked spare parts are "just in case parts"

| Pos. | Artikel-Nr. | Menge | Variante | Notes |
|------|-------------|-------|---|-------|
| 0A | 1756 | 1 | Filter | [1] |
| 0A | 64314 | 1 | Reparatursatz Steuerkolben | [1] |
| 0A | 101117988 | 1 | Brennstoffpumpe | [1] |
| 0A | 301001068 | 1 | Öldüse 1,35gal/h 60 H | [1] |
| 0A | 1119310 | 1 | ET-Set Ventile [4x] | [1] |
| 0A | 101118013 | 1 | Öldüse 2.25 GAL/H | [1] |
| 0A | 6100941 | 1 | Filter | [1] |
| 0A | 301000902 | 1 | Regelsicherheitsblock N | [1] |
| 0A | 301001148 | 1 | Dichtungssatz Kolben Ø 18 mm | [1] |
| 0A | 1119571 | 1 | Dichtsatz | [1] |
| 0A | 1119570 | 1 | Dichtsatz | [1] |
| 0A | 301001151 | 1 | Satz Stützringe | [1] |
| 0A | 101117926 | 1 | Sieb | [1] |
| 0A | 301001195 | 1 | Reparatursatz Regelsicherheitsblock | [1] |
| 0A | 301001153 | 1 | Satz Ventile 6 Stk. | [1] |
| 0A | 3812385 | 1 | Feinsicherung 6,3 A | [1] |
| 0A | 301000886 | 1 | Düse 1.75 GAL 60 Grad | [1] |
| 0A | 101117989 | 1 | Brennstoffpumpe | [2] |
| 0A | 301150009 | 1 | Elektrode | [1] |
| 0A | 101119850 | 1 | Dichtung Set Gleitring | [1] |
| 0A | 63056 | 1 | Reparatursatz Regelsicherheitsblock | [1] |
| 0A | 1119820 | 1 | Reparatursatz Öldichtung | [1] |
| 0A | 301001150 | 1 | Satz Öldichtung | [1] |
| 0A | 301001068 | 1 | Öldüse 1,35gal/h 60 H | [1] |
| 0B | 103822265 | 1 | Schlauch für Chemiepumpe | [3] |
| 0B | 103403267 | 1 | Schwimmventil 3/4-13 | [3] |
| 0C | 107120704 | 1 | Lagerscheibe Pumpenseiti | [4] |
| 0C | 101406030 | 1 | HD-Schlauch | [5] |
| 0C | 64440 | 1 | Diode 6A | [5] |
| 0C | 6301166 | 1 | Keramischer Druckkolben | [5] |
| 0C | 101405741 | 1 | HD-Schlauch DN10 1250 DKL-DKL | [5] |
| 0C | 6698 | 1 | Thermostat | [5] |
| 0C | 301000859 | 1 | Zündkabel 7x650 | [5] |
| 0C | 3200664 | 1 | Nadellager K40x45x13A | [5] |
| 0C | 6367 | 1 | Wälzlager 6206-2Z | [5] |
| 0C | 103822011 | 1 | Safety device AEG C10 1P-N | [5] |
| 0C | 103822012 | 1 | SAFETY DEVICE C 10A 2P 10KA 230/400V AC | [6] |
| 0C | 1802511 | 1 | Sicherungsring 28x1,2 | [5] |
| 0C | 301001146 | 1 | Satz Kolben Ø 18 mm | [5] |
| 0C | 101118020 | 1 | Elektromotor 400 V/50 Hz | [5] |
| 0C | 3200615 | 1 | Axialrollenlager | [5] |
| 0C | 301000402 | 1 | Widerstand 15 kΩ | [5] |
| 0C | 103822306 | 1 | Schütz CJX2-D18-B7 24V | [5] |
| 0C | 103821828 | 1 | Relais 24V SNR | [5] |
| 0C | 107140615 | 1 | Lagerabdeckung, vorn | [5] |
| 0C | 301001017 | 1 | Kondensator 60 µF | [5] |
| 0C | 6101750 | 1 | D-Lagerdeckel Kompl. | [5] |
| 0C | 103822020 | 1 | RELAY 2POLIG 12A 24V AC | [5] |
| 0C | 5905 | 1 | Wälzlager 6306-2Z | [5] |
| 0C | 301000731 | 1 | Schalter | [5] |
| 0C | 3600301 | 1 | Manometer | [5] |
| 0C | 103822062 | 1 | CONTROL TRANSFORMER 3X200V 50H | [5] |
| 0C | 301000858 | 1 | Zündleitung | [5] |
| 0C | 103822327 | 1 | Thermorelais 12-18A | [5] |
| 0C | 6100602 | 1 | Spannring | [5] |
| 0C | 103821847 | 1 | Steuertrafo 230V 24/19V | [5] |
| 0C | 106420051 | 1 | Steuerelektronik UNO DUO | [5] |
| 0C | 107310070 | 1 | Motor 6,5KW 400-415, 230V | [5] |
| 0C | 301000729 | 1 | Fotodiode | [5] |

| Pos. | Artikel-Nr. | Menge | Variante | Notes |
|------|-------------|-------|---------------------------|-------|
| 0C | 11060 | 1 | Relais | [5] |
| 0C | 101118018 | 1 | MOTOR ELD112 2.2KW 230V | [5] |
| 0C | 301000403 | 1 | Anlaufkondensator 98µF 33 | [5] |
| 0C | 3200656 | 1 | Nadellager K40x45x17 | [5] |
| 0C | 107120716 | 1 | Taumelscheibe No.12 | [4] |
| 0C | 103822206 | 1 | Chemipumpe max. 13l | [5] |
| 0C | 301000911 | 1 | Sicherheitsventil | [5] |
| 0C | 101117987 | 1 | Magnetspule | [5] |
| 0C | 301000732 | 1 | Thermosicherung | [5] |
| 0C | 103822328 | 1 | Thermorelais 17-25A | [5] |
| 0C | 301002458 | 1 | Reedschalter | [5] |
| 0C | 103822307 | 1 | Schütz CJX2-D18-B7 24V | [5] |

Part Notes:

- [1] - A
- [2] - A
Kerosene
- [3] - B
- [4] - C
TSB-PPW-2019-007 C3 NA6 Wobble Disc and Bearing Track surface hardening change
- [5] - C
- [6] - C
NO LONGER AVAILABLE

