

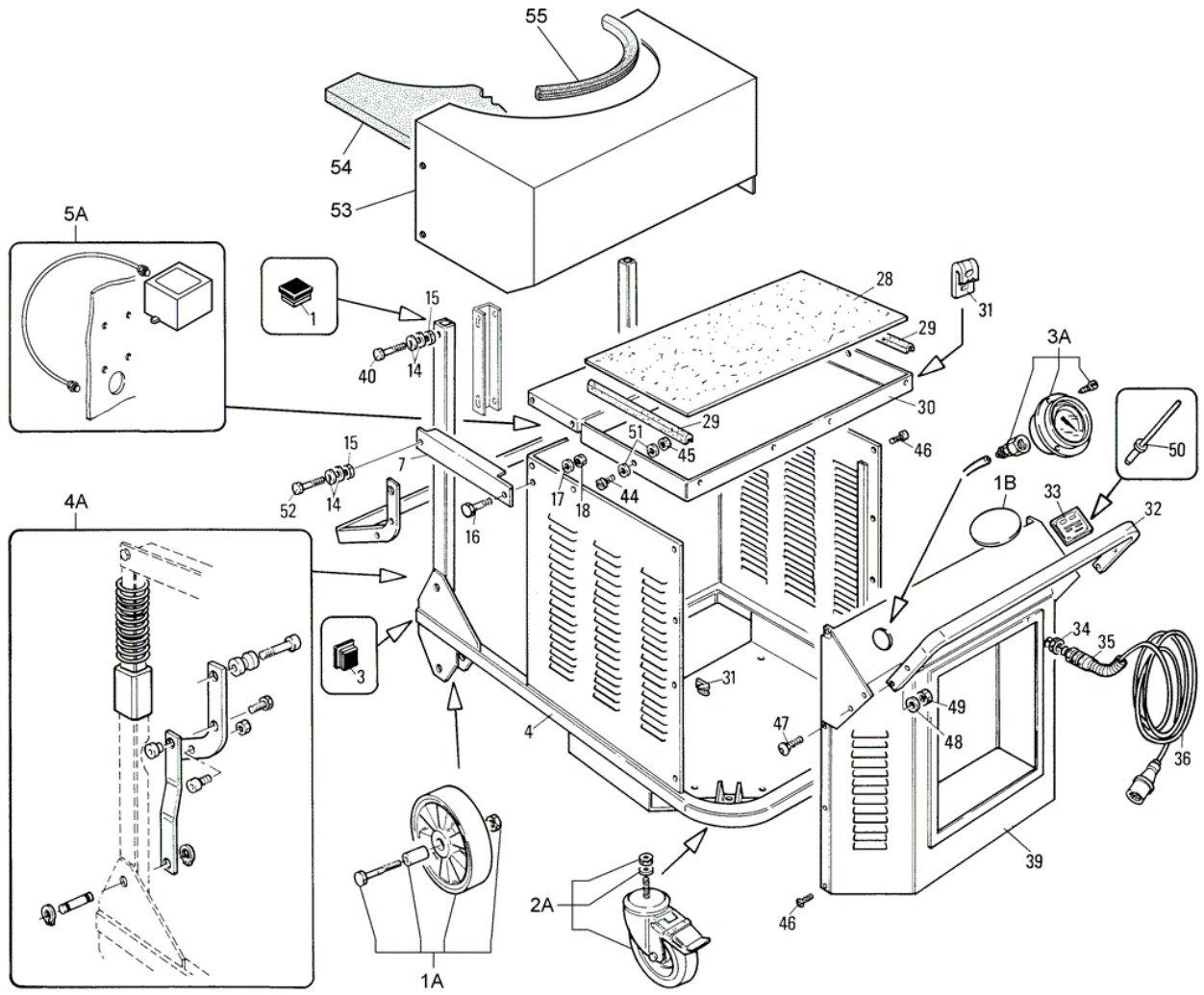
PARTS LIST



2017.04.25

TABLE OF CONTENTS

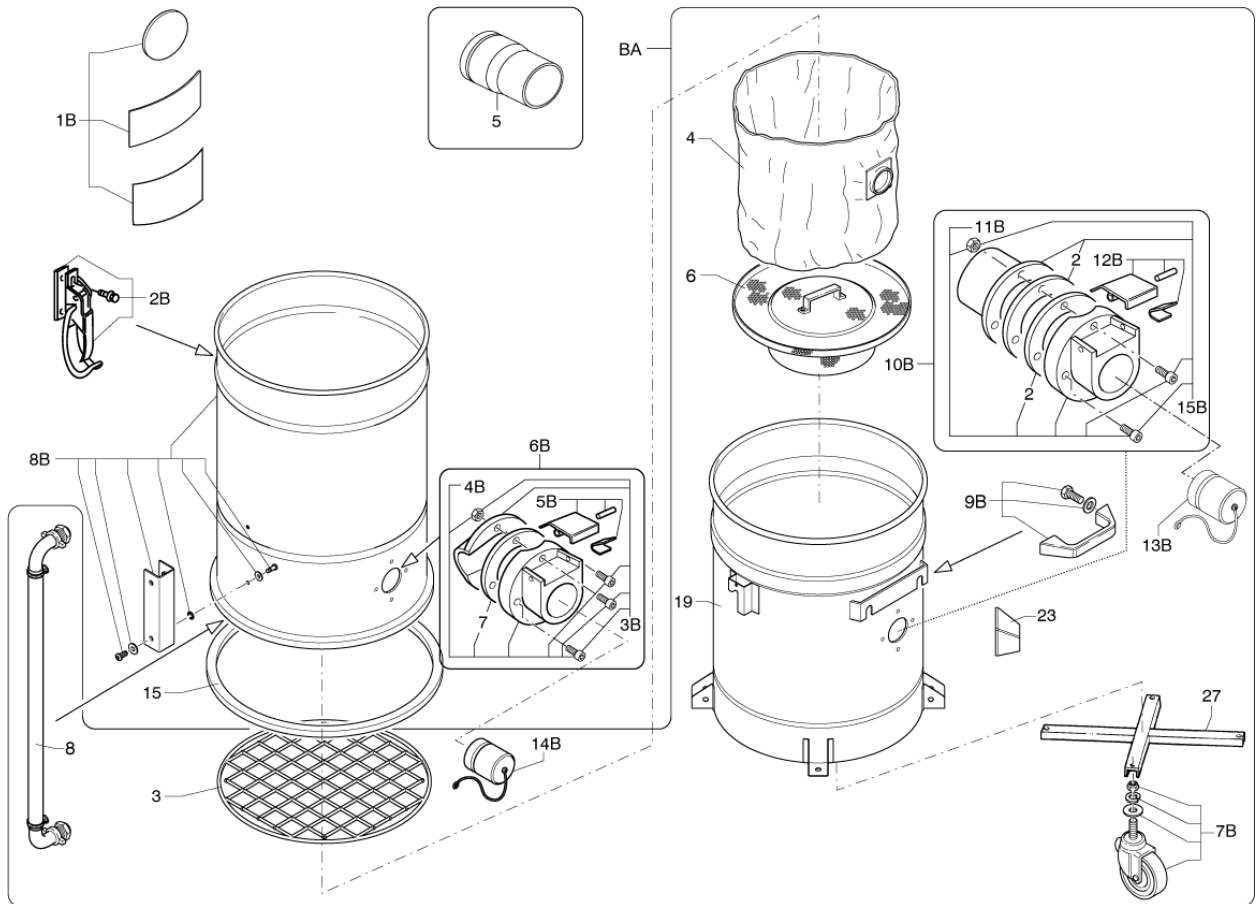
Frame	1
Behälter	3
Filtergruppe	5
Ansaugeinheit	7
Suction unit	9
Platine	11
Control panel	13
Absolutfilter	15
L/M/H & Atex label	17



Pos.	Artikel-Nr.	Menge	Variante	Notes
01	Z8 40035	2	Endstück PVC D 40 x 40 m	
01A	40000543	1	KIT FIX ANTISTATIC CASTOR D200	
01B	40000756	1	LABEL KIT	
02A	40000641	1	KIT ANTIST. REV. CASTOR D200	
03	Z8 40036	2	PVC Endstück D 50 x 50 mm	
03A	40000309	1	Vakuum-Ausgleichsleitung	
04	4083600531	1	TROLLEY 3707/3907 RAL 5005	[1]
04A	40000576	1	KIT RELEASE LEVER	
05A	40000746	1	ALARM KIT	
07	4081801001	2	REINF. SPACER RAL 5005	[1]
14		8	Washer D.10 UNI 6592 DIN 433	[2]
15		4	Nut M10 UNI 5588 DIN 934	[3]
16		2	Screw M10x25 UNI 5739 DIN 933	[4]
17		2	Washer D.10x30 UNI 6593 DIN 9021	[5]
18		2	Nut M10 UNI 7474 DIN 985	[6]
28	Z8 17105	1	ACCESSORIES BELT MOD.3707	
29	40000766	1	SEAL	
30	4081600454	1	TANK PA M.3707 RAL 5005	[1]
31	Z8 40037	20	FASTENER FOR SELF-THREADING.D6	
32	Z8 18147	1	HANDLE MOD.3707/3907	[1]
33	4081700875	1	THREEPHASE PLATE NILFISK ALTO Z22	[1]
34	Z8 39569	1	Nutmutter für Kabelversch	
35	Z8 39099	1	Kabelverschraubung PG21	
36	4083901291	1	Kabel Stecker 5 PP	[1]
39	4083500158	1	MOBILE CARTER 3707 RAL 5005	[1]
40		2	Screw M10x55 UNI 5739 DIN 933	[7]
44		4	Screw M6x16 UNI 7687 DIN 7985	[8]
45		4	Nut M6 UNI 7474 DIN 985	[9]
46		20	Screw D.6,3x16 UNI 6954 DIN 7981	[10]
47		4	Screw M8x45 UNI 5931 DIN 912	[11]
48		4	Washer D.8x24 UNI 6593 DIN 9021	[12]
49		4	Nut M8 UNI 7474 DIN 985	[13]
50		4	Rivet D.2,9x7 DIN 7337	[14]
51		4	Washer D.6 UNI 6592 DIN 433	[15]
52		2	Screw M10x60 UNI 5739 DIN 933	[16]
53	4081200410	1	B1 DIFFUSER M.3707 RAL5005	[1]
54	Z8 17378	1	KIT SOUNDPROOF MOD.3707 B1	[1]
55	40000766	1	SEAL	

Part Notes:

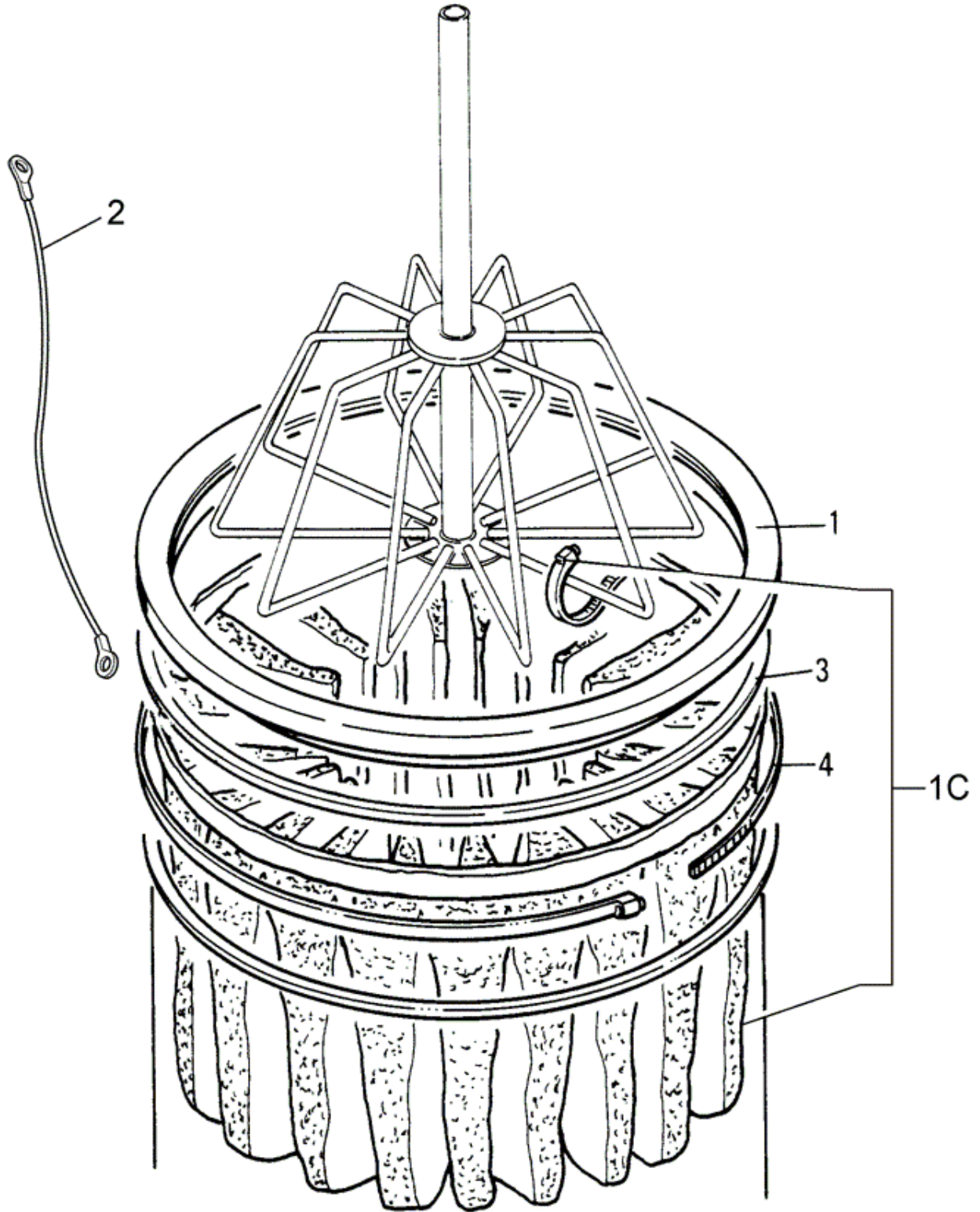
- [1] - CONTACT PM IN ZOCCA
- [2] - Washer D.10 UNI 6592 DIN 433
- [3] - Nut M10 UNI 5588 DIN 934
- [4] - Screw M10x25 UNI 5739 DIN 933
- [5] - Washer D.10x30 UNI 6593 DIN 9021
- [6] - Nut M10 UNI 7474 DIN 985
- [7] - Screw M10x55 UNI 5739 DIN 933
- [8] - Screw M6x16 UNI 7687 DIN 7985
- [9] - Nut M6 UNI 7474 DIN 985
- [10] - Screw D.6,3x16 UNI 6954 DIN 7981
- [11] - Screw M8x45 UNI 5931 DIN 912
- [12] - Washer D.8x24 UNI 6593 DIN 9021
- [13] - Nut M8 UNI 7474 DIN 985
- [14] - Rivet D.2,9x7 DIN 7337
- [15] - Washer D.6 UNI 6592 DIN 433
- [16] - Screw M10x60 UNI 5739 DIN 933



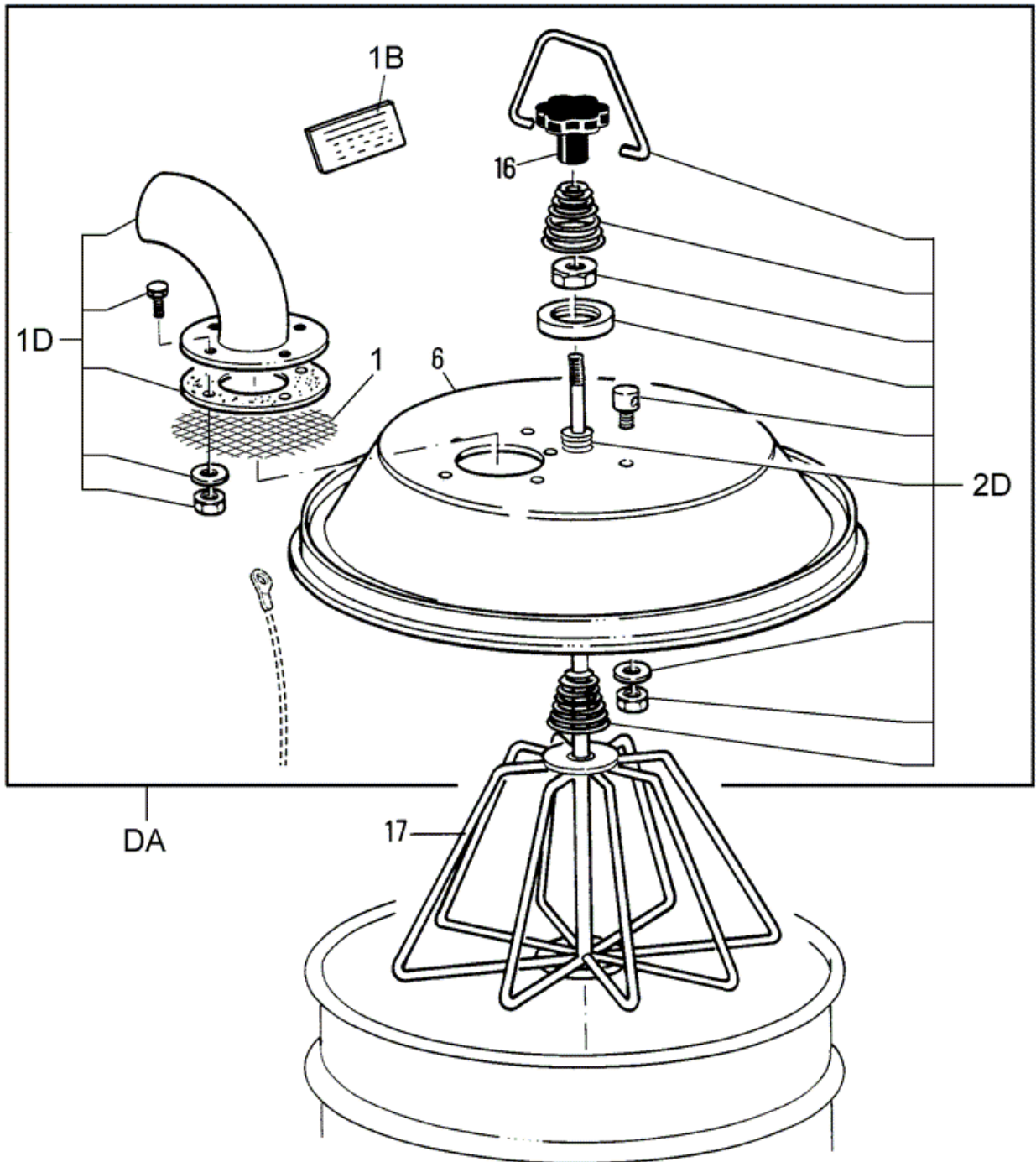
Pos.	Artikel-Nr.	Menge	Variante	Notes
01B	40000756	1	LABEL KIT	
02	Z8 17006	2	Dichtungsring D70	
02B	40000674	4	Verschlußkit	
03	32400570	1	Lochblech f. IV055/075/	
03B	40000582	1	Deflektorkit D100	
04	Z8 40832	1	Sicherheitsfiltersack antistat 460/560	
04B	40000637	1	Kesselanschluß D100	
05	Z7 21001	1	Schlauchverbinder D70 Stahl	
05B	40000345	1	KIT PUSHBUTTON FOR INLET D70	
06	Z8 31251	1	Dekantiersieb D560	[1]
06B	40000638	1	Kesselanschluß kpl. D100	
07	Z8 17056	1	Dichtung für Ansaugstutze	
07B	40000577	1	Radkit f. Container	
08	Z5 60228	1	Unterdruckschlauch D560	[1]
08B	40000639	1	KIT FILTER CHAMBER D560	
09B	40000340	1	KIT HANDLE INOX	
10B	40000734	1	Anschluss D70	
11B	40000344	1	KIT INLET INOX D70	
12B	40000345	1	KIT PUSHBUTTON FOR INLET D70	
13B	Z7 21072	1	PLUG X INLET D70 INOX COMPLETE	[2]
14B	Z7 21066	1	PLUG X INLET D100 INOX	[1]
15	40000767	1	SEAL	
15B	40000733	1	BAG CONNECTION D70 STAINLESS STEEL	
19	4083000404	1	CONTAINER D560 L175 LINK FOR PAPER BAG	[1]
23	Z8 17021	4	Stossfänger Halter	
27	Z8 36109	1	CONTAINER REINFORCEMENT D560	
BA	4056000410	1	Entsorgungssystem 3707 - 3707/10 VA	

Part Notes:

- [1] - CONTACT PM IN ZOCCA
- [2] - CONTACT PM ZOCCA



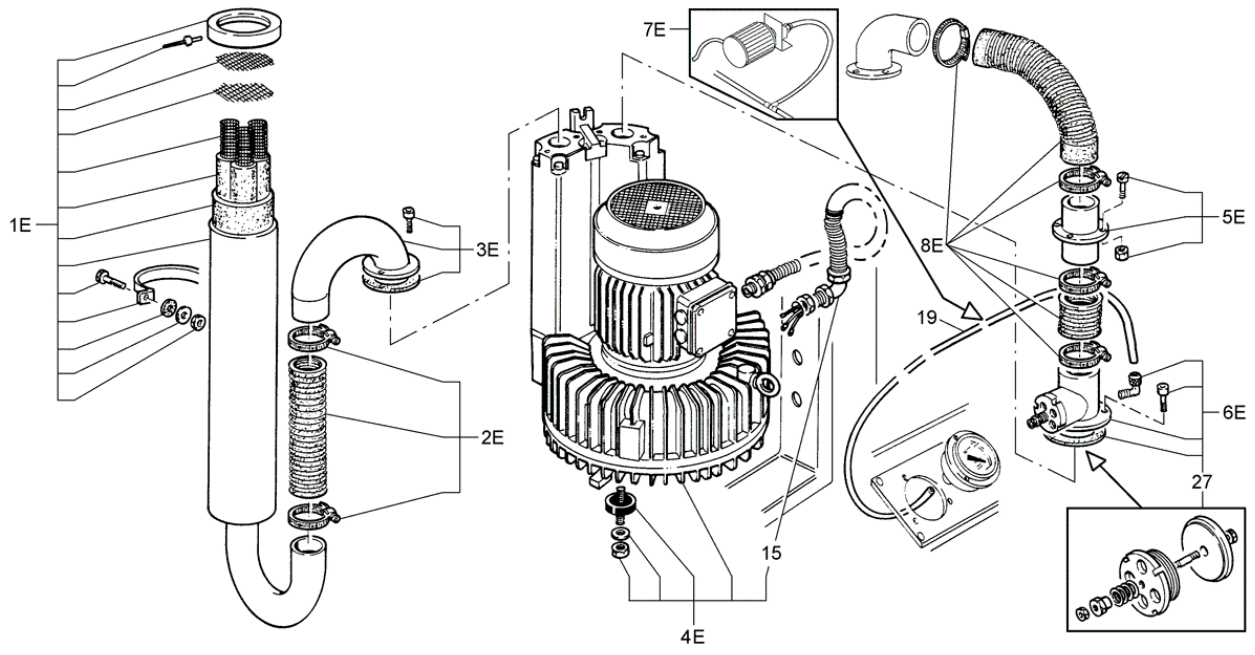
Pos.	Artikel-Nr.	Menge	Variante	Notes
01	Z8 17027	1	Filterringdichtung D560	
01C	40000755	1	Sternfilter Ø560mm Polyester Polyurethan	
02	Z8 39668	1	Kabel	
03	Z8 15005	1	Ring d. 560	
04	Z8 18081	1	Filter Block ¥ 560	



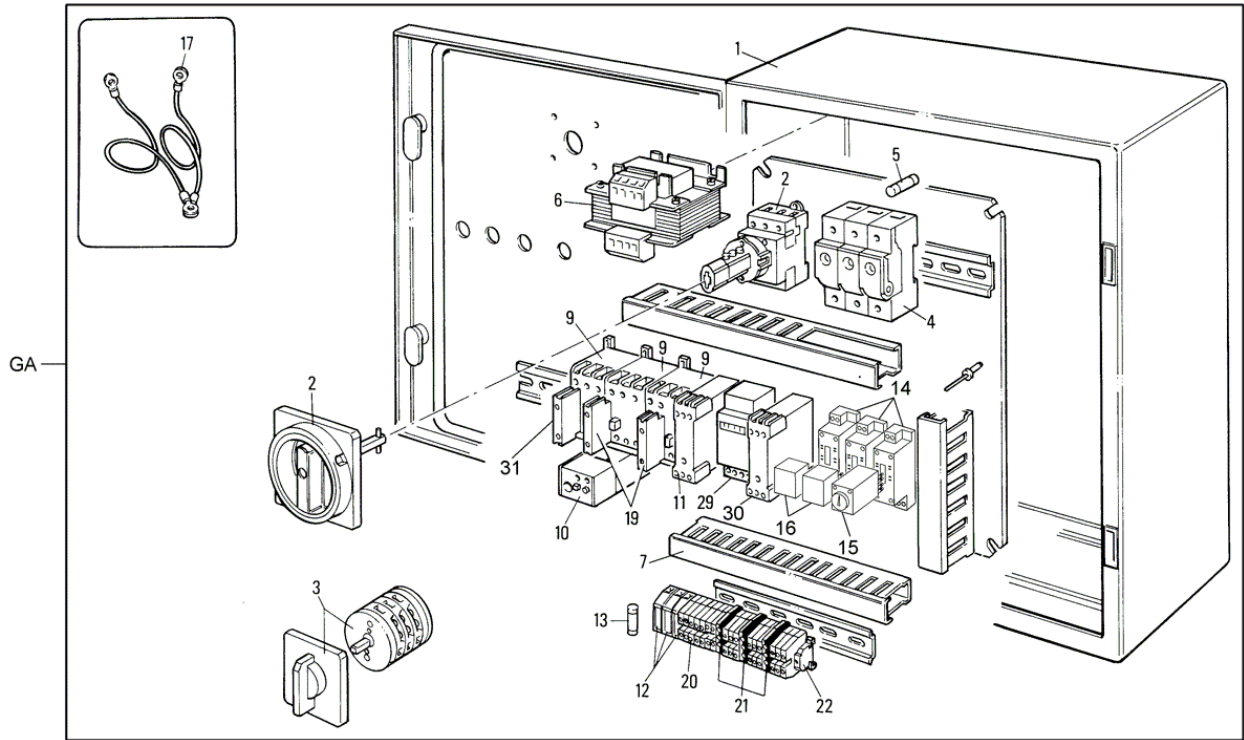
Pos.	Artikel-Nr.	Menge	Variante	Notes
01	Z8 13123	1	Netz D150	
01D	40000585	1	KIT CAP COUPLING D100 FL150	
02D	40000313	1	Gestängekit f. Filter-	
06	4083100732	1	COVER D560 D100 RAL 9005	[1]
16	Z8 40027	1	Sterngriff ohne Loch	
17	Z8 33073	1	Filterstern	
DA	4083100733	1	COVER COMPL. D560 RAL 9005	[1]

Part Notes:

[1] - CONTACT PM IN ZOCCA



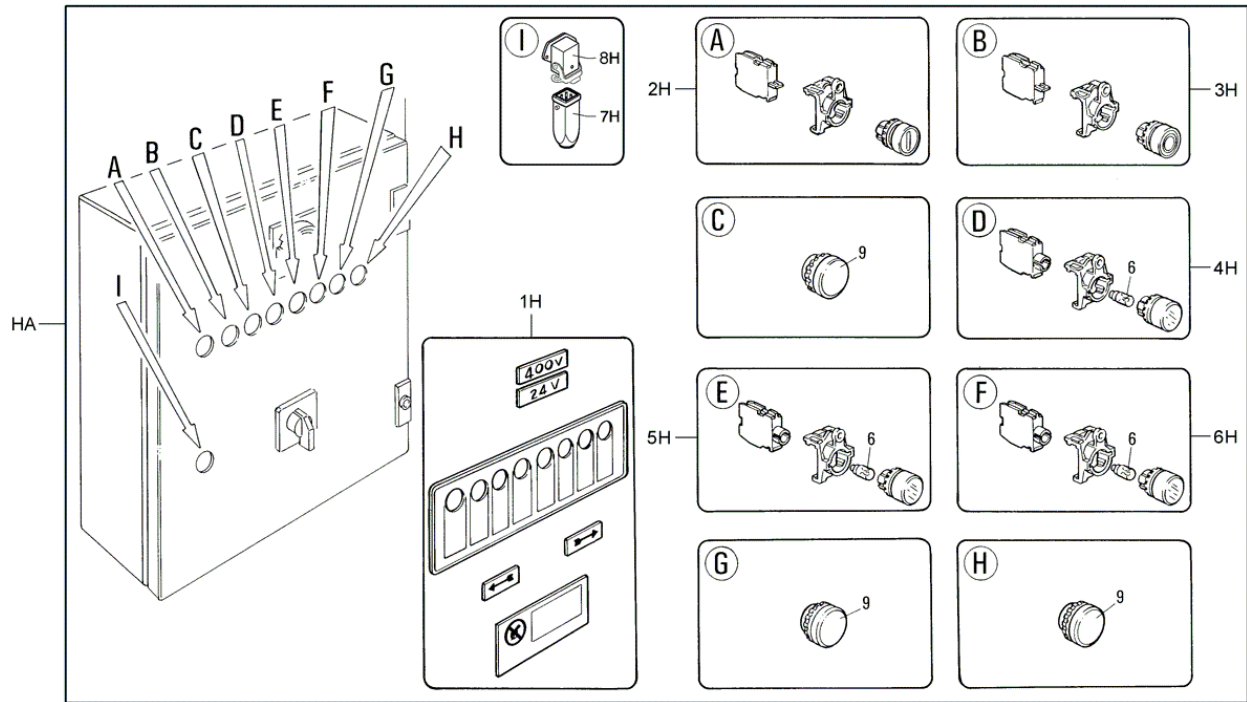
Pos.	Artikel-Nr.	Menge	Variante	Notes
01E	40000586	1	Schalldämpfer	
02E	40000643	1	KIT BLOWING TUBE	
03E	40000599	1	KIT BLOWING CONNECTION D70	
04E	40000600	1	Verdichter 3707	
05E	40000602	1	Flansch D100-100	
06E	40000601	1	Sauganschluß Kit	
07E	40000747	1	ATTIX PRESSURE GAUGE KIT	
08E	40000757	1	KIT SUCTION TUBE	
15	Z8 39127	1	CABLE CONN.MOT. 7G4 FROR	
19	40000768	1	TUBE	
27	Z8 34025	1	"Druckbegrenzungsventil 3""	



Pos.	Artikel-Nr.	Menge	Variante	Notes
01	Z8 39701	1	Schaltkasten 400x500x200	
02	Z8 39556	1	Hauptschalter komplett	
03	Z8 39557	1	Wendesalter für Modell	
04	Z8 39106	1	Sicherungshalter 63 A 3P	
05	Z8 39116	3	FUSE 35A D02	
06	Z8 391051	1	TRANSFORMER 63VA 400-230/	[1]
09	z8 39102	3	Relaisschalter für Saug-	
10	Z8 39101	1	Motorschutzschalter	
11	Z8 39119	1	Zeitrelais 0 - 5 sec.	
12	z8 39244	2	Sicherungshalter	
13	Z8 39539	2	Sicherung 2 A	
14	Z8 39118	3	ZOCCOLO x RELE 2 SCAMBI	
15	Z58 39415	1	Zeitrelais	[1]
16	Z8 39259	2	RELAIS 24 VA	
17	Z8 39590	1	KIT EARTH CABLE 3707/3907	[1]
19	Z8 39367	2	Kontakt für Fernschalter	
20	z8 39120	15	TERMINAL LINE 6MMQ S	
21	z8 39121	4	Erdungsklemme	
22	Z8 39296	2	Klammer	
29	Z8 39693	1	Betriebsstundenzähler 24V	
30	z8 391120	1	Phasenfolgerelais	
31	z8 39366	1	Kontakt für Ferschalter	
GA	Z8 41225	1	E.B. KW7.5 S/T SF	[1]

Part Notes:

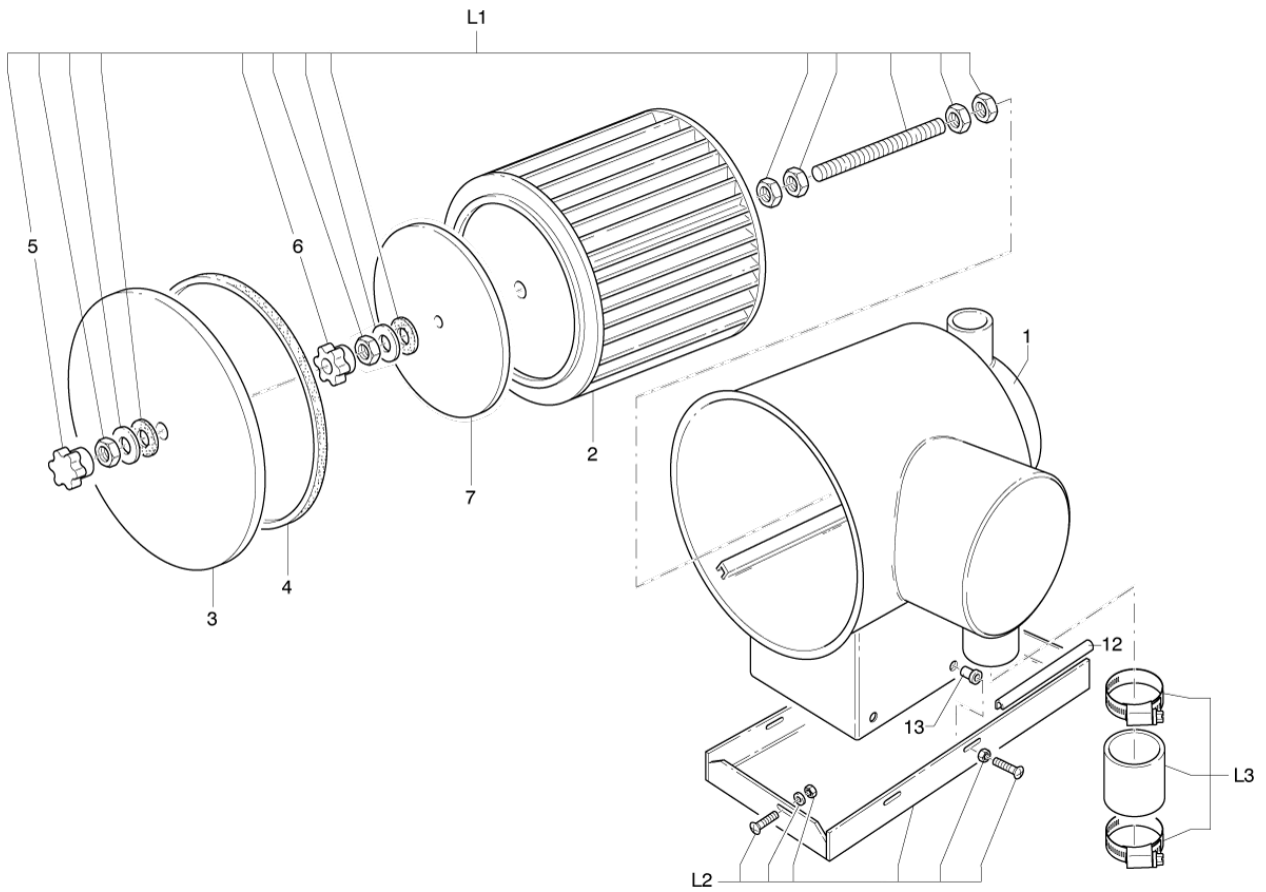
[1] - CONTACT PM IN ZOCCA



Pos.	Artikel-Nr.	Menge	Variante	Notes
01H	40000597	1	Aufkleber (Satz)	
02H	40000593	1	Knopfkit, grün	
03H	40000594	1	Knopfkit, rot	
04H	40000595	1	WHITE INDICATOR KIT	
05H	40000596	1	Warnlampenkit, rot	
06	Z8 39114	3	Lampe gelb	
06H	40000564	1	YELLOW INDICATOR KIT	
07H	40000759	1	Anschlusskit	
08H	40000745	1	INLET PLUG KIT	
09	Z8 39522	3	PLUG BLIND CONTROL PLATE D22	
HA	Z8 41225	1	E.B. KW7.5 S/T SF	[1]

Part Notes:

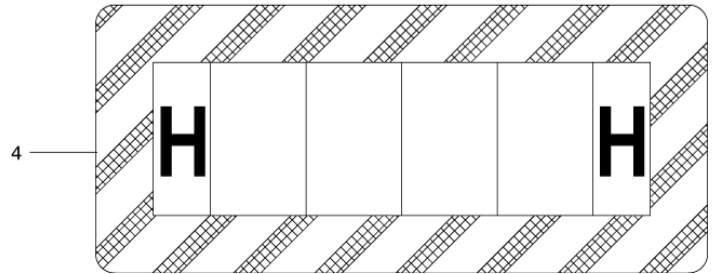
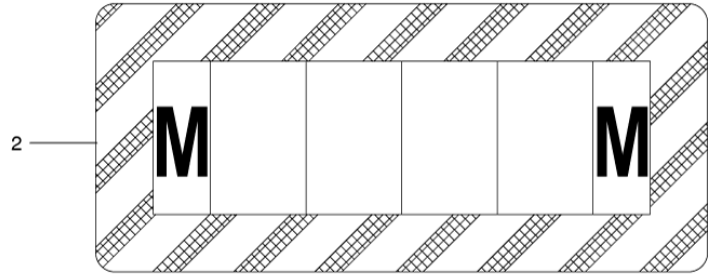
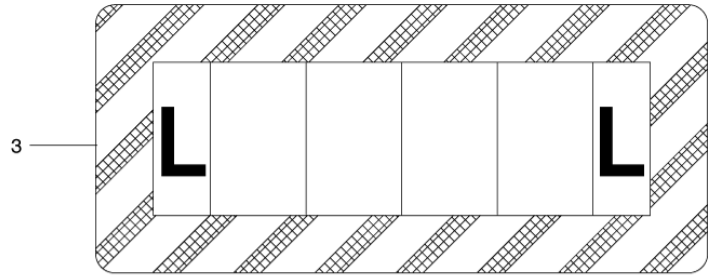
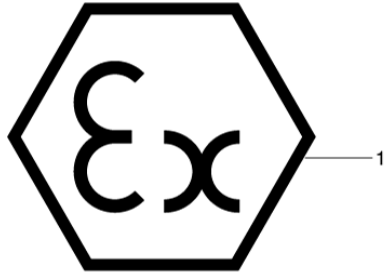
[1] - CONTACT PM IN ZOCCA



Pos.	Artikel-Nr.	Menge	Variante	Notes
01	4083000394	1	CONTAINER AB.FIL.K1 3707 RAL5005 FROM 8	[1]
02	Z8 17264	1	Absolutfilter AU 410 x 400	
03	4081200414	1	COVER FOR CONTAINER AB.FILTER RAL5005	[1]
04	40000769	1	SEAL	
05	Z8 40576	1	KNOB D60 M10 NO HOLE	
06	Z8 40030	1	Knauf M10X	
07	Z8 15168	1	Dichtscheibe f. ABS-Filte	[1]
13	Z8 38036	4	Niet Blindmutter M6	
L1	40000758	1	ABSOLUTE FILTER ASSEMBLY KIT MOD. ATTIX	
L2	40000760	1	Basiskit für Absolutfilter	
L3	40000761	1	CONNECTION HOSE KIT	

Part Notes:

[1] - CONTACT PM IN ZOCCA



Pos.	Artikel-Nr.	Menge	Variante	Notes
01		1	Is not used in this model	[1]
02	Z8 17551	1	LABEL CATEGORY M	
03		1	Is not used in this model	[1]
04		1		

Part Notes:

[1] - Is not used in this model

