

PARTS LIST

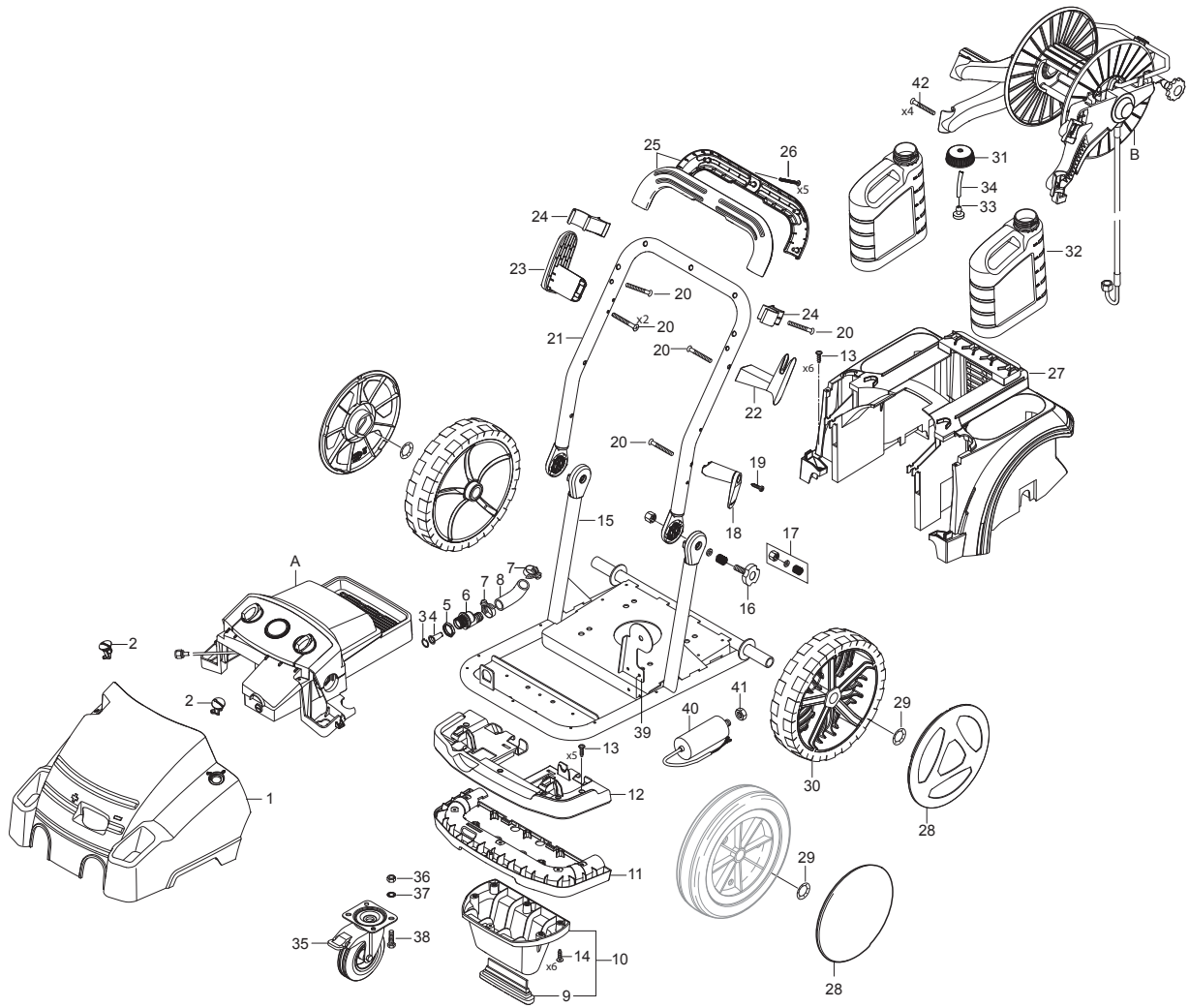


2024.03.28

NILFISK

TABLE OF CONTENTS

| | |
|--|----|
| Overview | 1 |
| Electric box | 4 |
| Hose reel | 7 |
| Motor pump | 9 |
| Cylinder block | 13 |
| 101118324 - NA5.2 Pump kit | 15 |
| Unloader PA | 17 |
| Unloader PA without water regulation | 19 |
| Recommended spare parts | 21 |
| Default accessories | 24 |



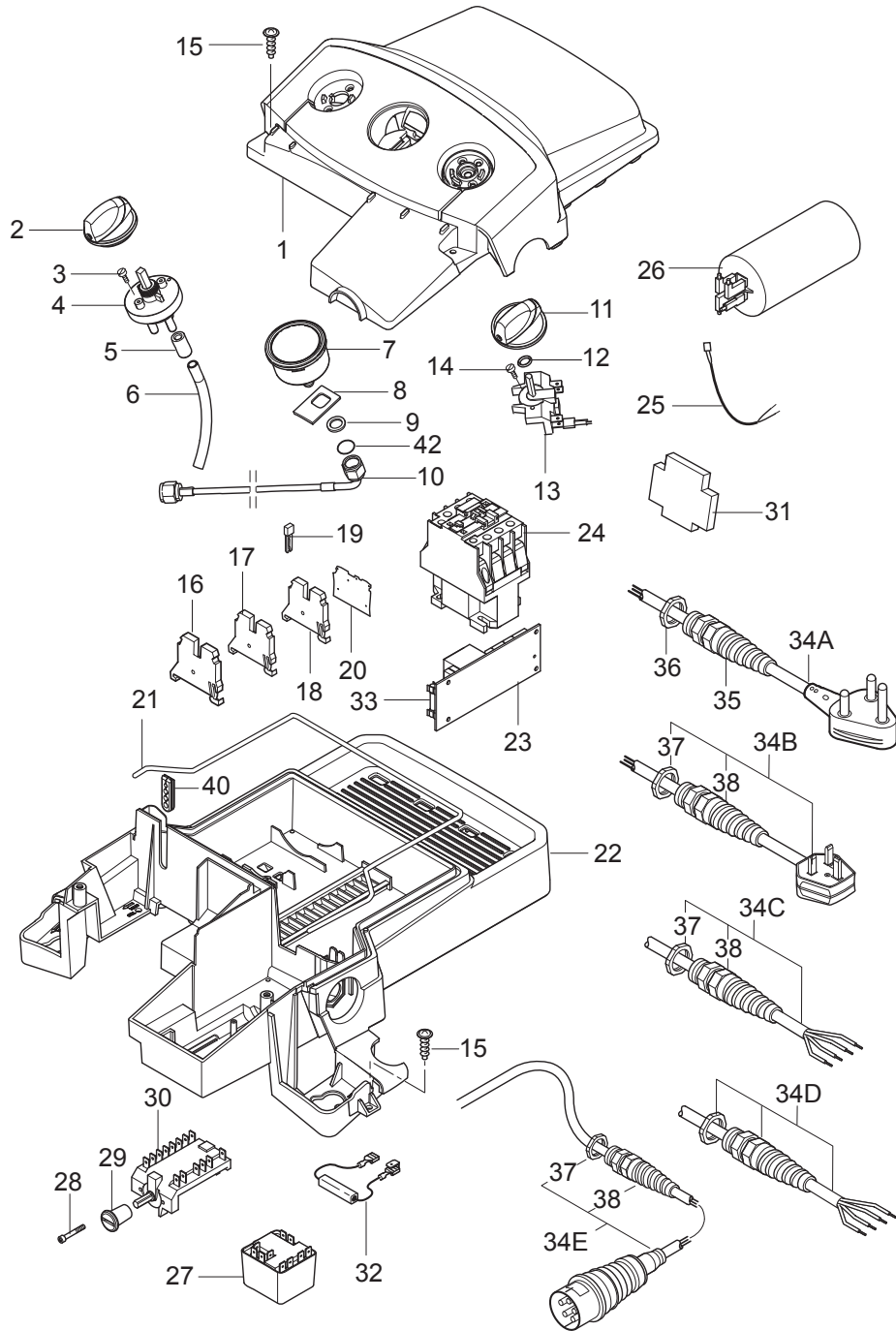
| Pos. | Artikel-Nr. | Menge | Variante | Notes |
|------|-------------|-------|--|-------|
| A | | 1 | El-box complete | [1] |
| B | | 1 | Hose reel complete | [2] |
| 1 | 107141600 | 1 | Gehäuse Front NA POS 5 - mit Regulierung | |
| 1 | 107141601 | 1 | Gehäuse Front NA POS 5 -ohne Regulierung | |
| 1 | 107140958 | 1 | Gehäuse Front NA POS 5 - UNITOR | |
| 2 | 301001261 | 2 | Verriegelung | |
| 3 | 107141667 | 1 | Sicherungsring | |
| 4 | 101117926 | 1 | Sieb | |
| 5 | 1800341 | 1 | Gegenmutter 3/4 | |
| 6 | 107141668 | 1 | Wassereinlass | |
| 7 | 23221 | 2 | Schlauchschelle SGL 20-32 | |
| 8 | 107141670 | 1 | Schlauch | [3] |
| 8 | 107141697 | 1 | RUBBER ELBOW NA5/NA6 FA | [4] |
| 9 | 107141615 | 1 | Stützfuß | |
| 10 | 101118100 | 1 | Stütze | |
| 11 | 107141617 | 1 | Halteplatte | |
| 12 | 107141618 | 1 | Halteplatte | |
| 13 | 107141690 | 5 | Linsenschraube DIN7985-M5x12-8.8 | |
| 14 | 107141838 | 6 | SCHRAUBE K50X18 WN1451 SCHWARZ TORX 20 | |
| 15 | 107141620 | 1 | Tragrahmen | |
| 15 | 107141622 | 1 | FRAME STAINLESS STEEL | |
| 16 | 107141672 | 2 | Sterngriff | |
| 17 | 101118104 | 2 | Satz Befestigungsteile | |
| 18 | 107141625 | 1 | KABELHALTER BEWEGLICH SCHWARZ | |
| 19 | 107141838 | 1 | SCHRAUBE K50X18 WN1451 SCHWARZ TORX 20 | |
| 20 | 107141627 | 10 | SCREW K50X40 T20 | |
| 21 | 107141623 | 1 | Griffrohr | |
| 22 | 107141632 | 1 | KABELHALTERUNG | |
| 23 | 107141629 | 1 | Schlauchhalterung | |
| 24 | 107141630 | 1 | Lanzenhalterung NA | |
| 25 | 101118101 | 1 | Griffschale | |
| 26 | 909100148 | 5 | Ejotschraube K40x30 WN 14 | |
| 27 | 107141634 | 1 | Hinterteil | |
| 28 | 107145780 | 2 | RADKAPPE FUER RAD Ø300X65 | [5] |
| 28 | 107145782 | 2 | WHEEL CAP FOR WHEEL Ø300X65 - UNITOR | [5] |
| 28 | 301001077 | 2 | Radkappe 234 | [6] |
| 28 | 107140961 | 2 | Radkappe D300 | [5] |
| 29 | 46363 | 2 | Klemmscheibe | |
| 29 | 107145570 | 2 | KLEMMRING D25XD42X3 | |
| 30 | 6184074 | 2 | Rad | [5] |
| 30 | 107145637 | 2 | RAD D300X65 (STARCO) | [5] |
| 31 | 107141664 | 2 | Deckel | |
| 32 | 107141635 | 1 | Reinigungsmitteltank | |
| 33 | 6400240 | 1 | Saugkorb | |
| 34 | 106408243 | 1 | HOSE 1/4INCH TRANSPARENT - 5 METERS | |
| 35 | 107141607 | 1 | WHEEL W. BRAKE D125 | |
| 36 | 1800515 | 4 | Sicherungsmutter M8 | |
| 37 | 1800796 | 4 | Scheibe 8,4 | |
| 38 | 2753 | 4 | Sechskantschraube M8x 20 ISO 4017 zn | |
| 39 | 107141611 | 1 | PLATE FOR CAPACITOR | |
| 40 | 107141619 | 1 | CAPACITOR 170MF | [7] |
| 40 | 107141732 | 1 | CAPACITOR 140 UF | [8] |
| 41 | 2761 | 1 | Sechskantmutter M12 ISO 4032 zn | [9] |
| 42 | 107141695 | 4 | Torxschrauben K50x35 | |
| NS | 107140982 | 1 | 10 PCS OF BOXES FOR PACKAGING | |

Part Notes:

- [1] - See link Electric box
- [2] - See link Hose reel

- [3] - PA
- [4] - FA
- [5] - The new wheel and wheel cap is added from
Variant Ser. Nr. order nr. machine nr.
Nilfisk 3520151900645 - 1712947 - 107146806
Unitor 3520151901159 - 1711044 - 107146807
- [6] - STOCK COVERS GUARANTEE

The new wheel and wheel cap is added from
Variant Ser. Nr. order nr. machine nr.
Nilfisk 3520151900645 - 1712947 - 107146806
Unitor 3520151901159 - 1711044 - 107146807
- [7] - 230-240/1/50 UK, AU
- [8] - US
- [9] - STOCK COVERS GUARANTEE

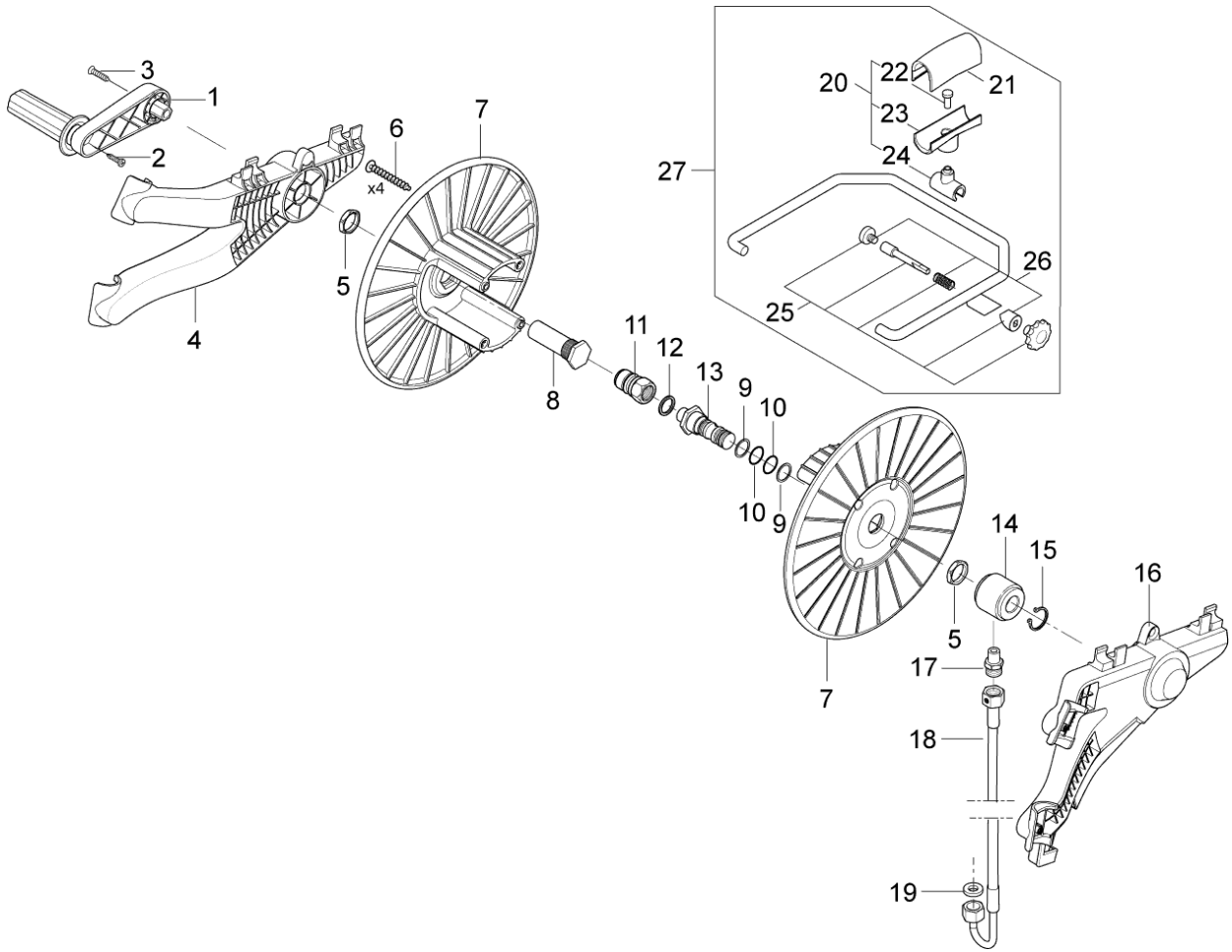


| Pos. | Artikel-Nr. | Menge | Variante | Notes |
|-------|-------------|-------|--|-------|
| 1 | 107141644 | 1 | E-BOX TOP F. 1-POS SWITCH | [1] |
| 1 | 107141646 | 1 | Gehäuse Elektronik 1Schalter schwarz | [2] |
| 1 | 107141645 | 1 | Gehäuse Elektronik 2Schalter schwarz | [3] |
| 2 | 909100214 | 1 | Schalter GR 1 4 Kt | |
| 3 | 1814730 | 2 | Schraube 3,5x10 | |
| 4 | 301001000 | 1 | Ventil | |
| 5 | 301001906 | 1 | Verschlusskappe | |
| 6 | 106408243 | 1 | HOSE 1/4INCH TRANSPARENT - 5 METERS | |
| 7 | 107141648 | 1 | MANOMETER 0-300 BAR | |
| 8 | 107141650 | 1 | Halter | |
| 9 | 107141651 | 1 | Scheibe DIN125-A13 | |
| 10 | 107141653 | 1 | MANOMETER TUBE FA MODELS | [4] |
| 10 | 107141652 | 1 | Manometer Röhre | [5] |
| 11 | 909100204 | 1 | Drehknopf 6x5 blau | |
| 12 | 9868 | 1 | O-Ring 10x2,5 | |
| 13 | 301001058 | 1 | Schalter | [6] |
| 13 | 28877 | 1 | Schalter | [7] |
| 14 | 18274 | 1 | Senkschraube M4x12 | |
| 15 | 107141838 | 6 | SCHRAUBE K50X18 WN1451 SCHWARZ TORX 20 | |
| 16 | 103821922 | 1 | Abschlussplatte | |
| 17 | 107141633 | 1 | Klemmleiste | [8] |
| 18 | 107307394 | 1 | WIRE TERMINAL 4Q WAGO 2004-1201 | |
| 19 | 103821969 | 1 | Steckbrücke | |
| 20 | 107307392 | 1 | END PLATE 4Q WAGO 2004-1291 | |
| 21 | 101406054 | 1 | Dichtung | |
| 22 | 107141654 | 1 | E-BOX BOTTOM DRILLED /CABLE/ | |
| 22 | 107141665 | 1 | E BOX UNTERTEIL | |
| 22 | 107141655 | 1 | UNTERTEIL ELEKTRONIK-BOX | [9] |
| 23 | 107141666 | 1 | PCB POSEIDON 5-6-7 | |
| 24 | 103822314 | 1 | Schütz 100-C30KF10 | [10] |
| 24 | 103822303 | 1 | Schütz CJX2-D18 18A 400V 3P+NO | [11] |
| 24 | 63910 | 1 | Schütz 100-C23KF10 | [12] |
| 24 | 103822304 | 1 | Schütz CJX2-D18 18A 230V 3P+NO | [13] |
| 25 | 107141796 | 1 | PCB WIRE FOR SUCTION MODE | [14] |
| 25 | 107141656 | 1 | Kabel | |
| 26 | 101117947 | 1 | Kondensator 100UF/450V | [15] |
| 26 | 107143182 | 1 | CAPACITOR 70UF 450/500V RP-3 | [16] |
| 27 | 107142761 | 1 | START RELAY RVA4G0C | [13] |
| 27 | 107140968 | 1 | START RELAY RVAH4AH0C | [17] |
| 27+32 | 101118305 | 1 | START RELAY RVA4G0C KIT | [18] |
| 27+32 | 101118143 | 1 | START RELAY KIT F. POSEIDON 5-6-7 1PH US | [17] |
| 28 | 101117739 | 2 | Flachkopfschraube | |
| 29 | 64580 | 1 | Drehknopf | [19] |
| 30 | 301000293 | 1 | Drehschalter Stern-Dreiec | |
| 31 | 64773 | 1 | Hilfskontakt 100-SBL11 | |
| 32 | 107141730 | 1 | DISCHARGE RESISTOR 15KOHM/7W | [20] |
| 33 | 301000263 | 1 | Sicherung | |
| 34A | 301000407 | 1 | Netzleitung SJOW AWG10/3 | [21] |
| 34B | 301000912 | 1 | Anschlussleitung GB | [22] |
| 34C | 101117811 | 1 | Netzkabel H07RN 4G1,5 | [23] |
| 34D | 301001384 | 1 | Netzleitung VCT 4X3,5X11 | [24] |
| 34D | 301000834 | 1 | Anschlussleitung Europa | [25] |
| 35 | 909100198 | 1 | Schnur Befestigung | [26] |
| 36 | 909100020 | 1 | Sechskantmutter M25x1,5 EN 50262 PA | [26] |
| 37 | 909100019 | 1 | Sechskantmutter M20x1,5 EN 50262 PA | [27] |
| 38 | 909100043 | 1 | Kabelverschraubung | [27] |
| 40 | 107141663 | 1 | Tülle | |
| 42 | 31000508 | 1 | O-RING NBR | |

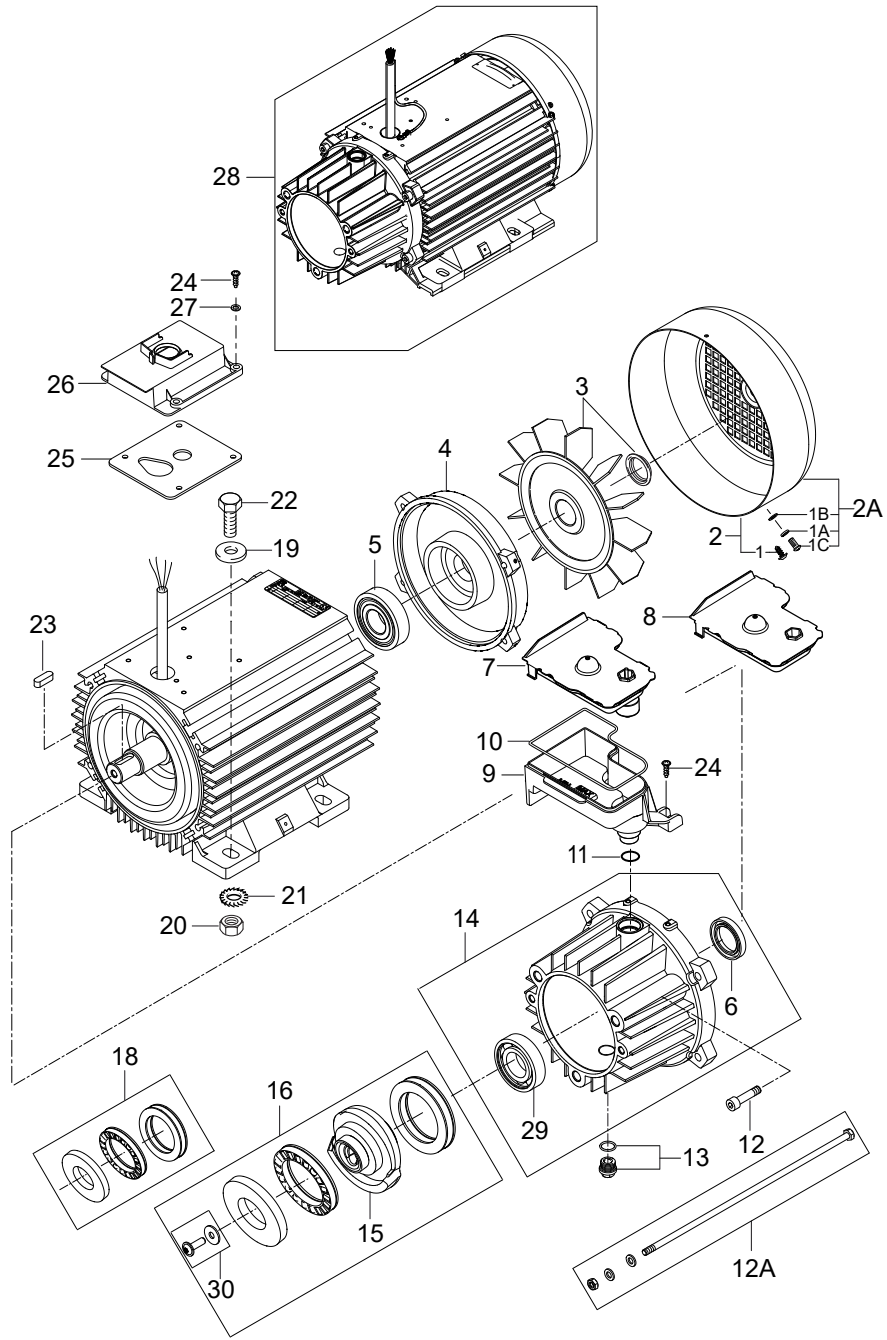
Part Notes:

- [1] - 1 pos. and detergent
- [2] - 1 pos. without detergent
- [3] - 2 pos. and detergent
- [4] - FA
- [5] - PA
- [6] - 1-POS.
- [7] - 2-POS.
- [8] - ECN-1010232
- [9] - Star/triangle
- [10] - (220-240/1/60 US) (200/3/50-60Hz JP)
- [11] - 400/3/50Hz
- [12] - 220/440/3/50/60Hz
- [13] - 230/1/50Hz
- [14] - S1 to X8 – "suction mode wire"
- [15] - 5-52FA
- [16] - 230/1/50 UK
TSB-PPW-2018-003 MH_MC change of start relay and run capacitor
- [17] - 220-240/1/60 US
- [18] - 230/1/50 UK, AUS

TSB-PPW-2018-003 MH_MC change of start relay and run capacitor
TSB-PPW-2018-003 MH_MC Changement du relais de démarrage et du condensateur de fonctionnement
- [19] - TSB-PPW-2016-007 Rotary knob for Voltage selector switch 230V-400V must be sealed with lacquer
DE TSB-PPW-2016-007 Drehknopf des Spannungsauswahlschalters 230V-400V muss mit Lack versiegelt werden
- [20] - 230/1/50 UK, 220-240/1/60 US
- [21] - US
GUARANTEE DATE EXPIRED
- [22] - 5-32 PA – MC 5M 100/770 PA 230/1/50 UK -M25 - M20
- [23] - NO, EXP.
- [24] - JP
- [25] - EU, 3ph
- [26] - M25
- [27] - M20



| Pos. | Artikel-Nr. | Menge | Variante | Notes |
|------|-------------|-------|--|-------|
| 0 | 106403143 | 1 | Schlauchrolle Satz | |
| 1 | 101118102 | 1 | Kurbel | |
| 2 | 107141838 | 1 | SCHRAUBE K50X18 WN1451 SCHWARZ TORX 20 | |
| 3 | 107141673 | 1 | Schraube M6x45 | |
| 4 | 107141674 | 1 | Halter | |
| 5 | 62696 | 1 | Sechskantmutter M24x1,5x | |
| 6 | 909100153 | 1 | Schraube 6x40 | |
| 7 | 301000775 | 1 | Trommel | |
| 8 | 107141675 | 1 | Achse | |
| 9 | 63792 | 2 | Stützring 16,26x2,18 | |
| 10 | 19620 | 2 | O-Ring 15,54x2,62 | |
| 11 | 1600493 | 1 | Anschlussstück | |
| 12 | 1801075 | 1 | Dichtring | |
| 13 | 107141676 | 1 | Anschlussstück | |
| 14 | 301000977 | 1 | Lagerbuchse | |
| 15 | 1802057 | 1 | Seegerring U 20 x1,2 | |
| 16 | 107141677 | 1 | Halter | |
| 17 | 54590 | 1 | Anschlussstück | |
| 18 | 107141678 | 1 | Anschlussstück für Schlauchtrommel | |
| 19 | 65466 | 1 | Dichtring 8,0x15,0x1,0 DI | |
| 20 | 101118103 | 1 | Schlauchführung | |
| 21 | 301000674 | 1 | Schlauchführung | |
| 22 | 10028 | 1 | Ejotschraube KA50x14 WN1411 verz | |
| 23 | 301000676 | 1 | Schlauchführung | |
| 24 | 107141679 | 1 | Schlauchführung | |
| 25 | 101118106 | 1 | Satz Befestigungsteile | |
| 26 | 101118111 | 1 | Satz Befestigungsteile | |
| 27 | 101118105 | 1 | Schlauchführung | |



| Pos. | Artikel-Nr. | Menge | Variante | Notes |
|------|-------------|-------|--|-------|
| | 31001229 | 1 | OIL ISO 150 ALPHASYN-T 20L | |
| 0 | 5218433 | 1 | Pumpenöl 150 1x1l | [1] |
| 1 | | 1 | SCREW 3X9.5 MUSHROOM HEAD EME | [2] |
| 1A | | 1 | Spring washer Ø5 | [3] |
| 1B | | 1 | Flat washer Ø5 | [4] |
| 1C | 31000488 | 1 | Linsenschraube DIN7985-M5x8 | [5] |
| 2 | 107144127 | 1 | Motorabdeckung - EME | [6] |
| 2A | 107144126 | 1 | Lüfterhaube | [5] |
| 3 | 107144124 | 1 | Sicherungsring Luefterrad | [2] |
| 3 | 107144125 | 1 | Lüfterrad | [5] |
| 4 | 31000148 | 1 | Lagerdeckel | [5] |
| 4 | 31000150 | 1 | Lagerabdeckung EME | [2] |
| 5 | 31000149 | 1 | Lager RF | [5] |
| 5 | 31000151 | 1 | Hinteres Lager EME | [2] |
| 6 | G120414 | 1 | Dichtring Ø30XØ47X7 | |
| 7 | 107140883 | 1 | Sensor Ölbehälter | |
| 8 | 107140877 | 1 | Deckel | |
| 9 | 107140879 | 1 | Öltank | |
| 10 | 101406054 | 1 | Dichtung | |
| 11 | 3004221 | 1 | O-RING 16X2 NITRIL 70 SHORE | |
| 12 | 2751 | 4 | Sechskantschraube M8x 35 ISO 4017 zn | [2] |
| 12A | 31000505 | 1 | Schraube M8x290 | [7] |
| 12A | 31000504 | 1 | Schraube M8x265 | [8] |
| 13 | 107141982 | 1 | OIL PLUG W/O-RING AND MAGNET NA5.2 | |
| 14 | 107141967 | 1 | D-BEARING COVER COMPLETE NA5.2 | [9] |
| 15 | 107141990 | 1 | WOBBLE DISC 7.74 DEG. NA5.2 | [10] |
| 15 | 107141961 | 1 | WOBBLE DISC 8.4 DEG. NA5.2 | [11] |
| 15 | 107141962 | 1 | WOBBLE DISC 8.7 DEG. NA5.2 | [12] |
| 15 | 107141963 | 1 | Taumelscheibe NA5.2 | [13] |
| 15 | 107141964 | 1 | WOBBLE DISC 10.2 DEG. NA5.2 | [14] |
| 15 | 107141965 | 1 | WOBBLE DISC 10.9 DEG. NA5.2 | [15] |
| 15 | 107141966 | 1 | WOBBLE DISC 12 DEG. NA5.2 | [16] |
| 16 | 101118248 | 1 | WOBBLE DISC 7.74 DEG. BEARING KIT NA5.2 | [17] |
| 16 | 101118246 | 1 | WOBBLE DISC 8.4 DEG. BEARING KIT NA5.2 | [11] |
| 16 | 101118247 | 1 | WOBBLE DISC 8.7 DEG. BEARING KIT NA5.2 | [12] |
| 16 | 101118245 | 1 | WOBBLE DISC 9.15 DEG. BEARING KIT NA5.2 | [13] |
| 16 | 101118243 | 1 | WOBBLE DISC 10.2 DEG. BEARING KIT NA5.2 | [18] |
| 16 | 101118242 | 1 | WOBBLE DISC 10.9 DEG. BEARING KIT NA5.2 | [19] |
| 16 | 101118241 | 1 | WOBBLE DISC 12 DEG. BEARING KIT NA5.2 | [20] |
| 18 | 101118240 | 1 | BEARING KIT FA PA - NA5.2 | |
| 19 | 2767 | 7 | Scheibe 10,5x2,0 ISO 7090 zn | |
| 20 | 1800465 | 4 | Mutter M10 | |
| 21 | 10204 | 4 | Fächerscheibe 10,5 -A- DIN 6798 FS/z | |
| 22 | 8927 | 4 | Zylinderschraube, | |
| 23 | 19639 | 1 | Passfeder A 8x7x25 | |
| 24 | 107140881 | 2 | SCREW M5X12 DIN 7985 TORX | |
| 25 | 107140875 | 1 | Dichtung | [21] |
| 26 | 107140876 | 1 | ABDECKUNG E BOX AUF MOTOR | |
| 27 | 2767 | 4 | Scheibe 10,5x2,0 ISO 7090 zn | |
| 28 | 107141953 | 1 | MOTOR 6.7KW 220-440/230-400/3 50/60HZ-EU | [22] |
| 28 | 107141954 | 1 | MOTOR 5.5 KW 220/230-400/440/3/50/60 EU | [23] |
| 28 | 107141955 | 1 | MOTOR 5.2 KW/220/1 60HZ 5-52 US | [24] |
| 28 | 107141956 | 1 | MOTOR 2.2 KW/230/1 50HZ | [25] |
| 28 | 107141957 | 1 | MOTOR 4KW 200/3/50-60HZ JP 5-47 JP | [26] |
| 28 | 107141958 | 1 | MOTOR 4KW 230-400/220-440 3/50-60HZ NA5 | [27] |
| 29 | 107144817 | 1 | BEARING KBC 6206 GB/T818 | |
| 30 | 107142658 | 1 | NA5.2 WD SCREW AND WASHER | |
| | 101118263 | 1 | MPU NA5.2 PA 5.5KW/400V/50HZ/3PH/10.9DEG | [28] |

Part Notes:

- [1] - 0,71L - OIL TYPES_QUANTITY for HPW_APRIL 2017
- [2] - - EME – has EME letter on the motor type plate
- [3] - RF – has Nilfisk letter on the motor type plate
Ø5 spring washer
- [4] - RF – has Nilfisk letter on the motor type plate
Ø5 flat washer
- [5] - RF – has Nilfisk letter on the motor type plate
- [6] - GUARANTEE DATE EXPIRED
- [7] - EME – has EME letter on the motor type plate
RF – has Nilfisk letter on the motor type plate RF incl nut and washer,
5-62 PA - MC 5M 220/1130 PA

5-62 FA - MC 5M 220/1130 FA
- [8] - RF – has Nilfisk letter on the motor type plate RF incl nut and washer,
5-32 PA – MC 5M 100/770 PA
5-41 PA – MC 5M 180/840 PA
5-47 PA – MC 5M 170/980 PA
5-53 PA - MC 5M 200/1000 PA
5-56 PA - MC 5M 200/1050 PA
5-56 FA - MC 5M 200/1050 FA
- [9] - with 2 pins D4x8 - See instruction 107141734A_mounting D-bearing cover NA5
TSB-PPW-2015-002 NA5.2 Pump Information
- [10] - 5-32 PA – Machine no. 107146700, 107146701 MC 5M 100/770
5-30 PA 240/1/50-

5-41 PA , 220/440/3/60
- [11] - 5-47 PA – Machine no. 107146703 MC 5M 170/980 PA, 200/3/60 JP
- [12] - 5-41 PA – Machine no. 107146705 MC 5M 180/840 PA, 400/3/50
- [13] - 5-56 PA - Machine no. 107146713 MC 5M 200/1050 PA, 60Hz
- [14] - 5-52 FA, 5-47 PA –
Machine no. 107146702 MC 5M 170/980 PA 200/3/50 JP,
107146719 MC 5M-220/1130 exp.,
107146724 MC 5M-2300/4.8 US
- [15] - 5-53 PA -
Machine no. 107146727, 107146728 MC 5M 200/1000
5-56 PAFA -
Machine no. 107146710, 107146711, 107146714, 107146715, 107146716, 107146743 MC 5M 200/1050
- [16] - 5-62 FA -
Machine no. 107146718, 107146721, 107146722 MC 5M 220/1130 FA, 400/3/50
- [17] - 5-32 PA – Machine no. 107146700, 107146701 MC 5M 100/770
5-30 PA 240/1/50-
5-41 PA , 220/440/3/60
- [18] - 5-52 FA, 5-47 PA –
Machine no. 107146702 MC 5M 170/980 PA 200/3/50 JP,
107146719 MC 5M-220/1130 exp.,
107146724 MC 5M-2300/4.8 US
- [19] - 5-53 PA - Machine no. 107146727, 107146728 MC 5M 200/1000
5-56 PAFA - Machine no. 107146710, 107146711, 107146714, 107146715, 107146716, 107146743 MC 5M 200/1050
- [20] - 5-62 FA -
Machine no. 107146718, 107146721, 107146722 MC 5M 220/1130 FA, 400/3/50

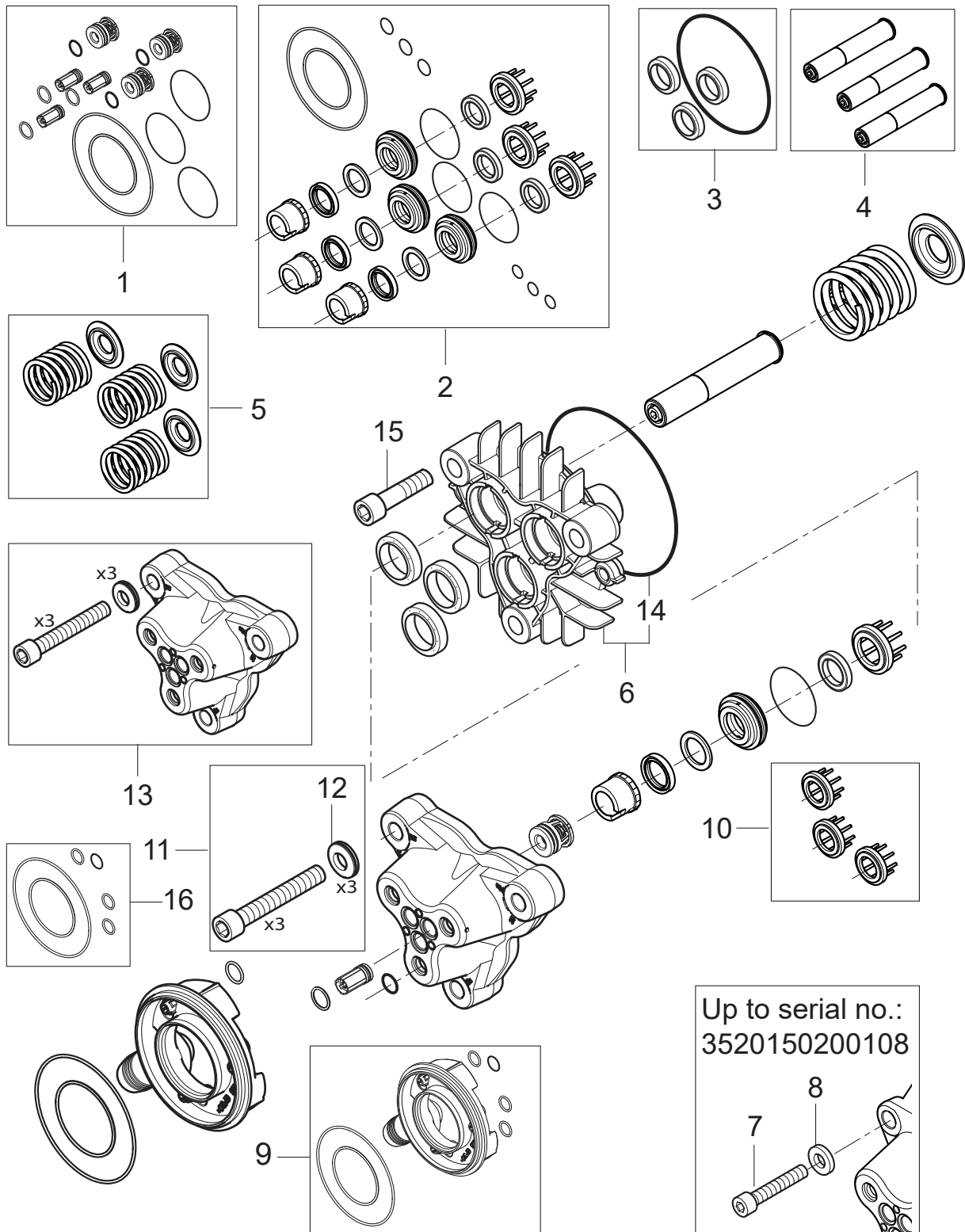
-
- [21] - TSB-PPW-2018-012 NA5_NA6 mpu. Water enters into the stator.
 - [22] - 5-62 PA - MC 5M 220/1130 PA
5-62 FA - MC 5M 220/1130 FA
Also order Gasket for motor, 107140875
 - [23] - 5-53 PA - MC 5M 200/1000 PA
5-56 PA - MC 5M 200/1050 PA
5-56 FA - MC 5M 200/1050 FA
Also order Gasket for motor, 107140875
 - [24] - 5-52 US
Also order Gasket for motor, 107140875
 - [25] - 5-32 PA – MC 5M 100/770 PA UK
Also order Gasket for motor, 107140875
 - [26] - 5-47 PA – MC 5M 170/980 PA JP
Also order Gasket for motor, 107140875
 - [27] - 5-41 PA – MC 5M 180/840 PA
Also order Gasket for motor, 107140875
 - [28] - MC 5M-200/1050 XT 400/3/50 EU

Cylinder block

POSEIDON 5-62 PA / MC 5M 220/1130 PA

2019.01.23

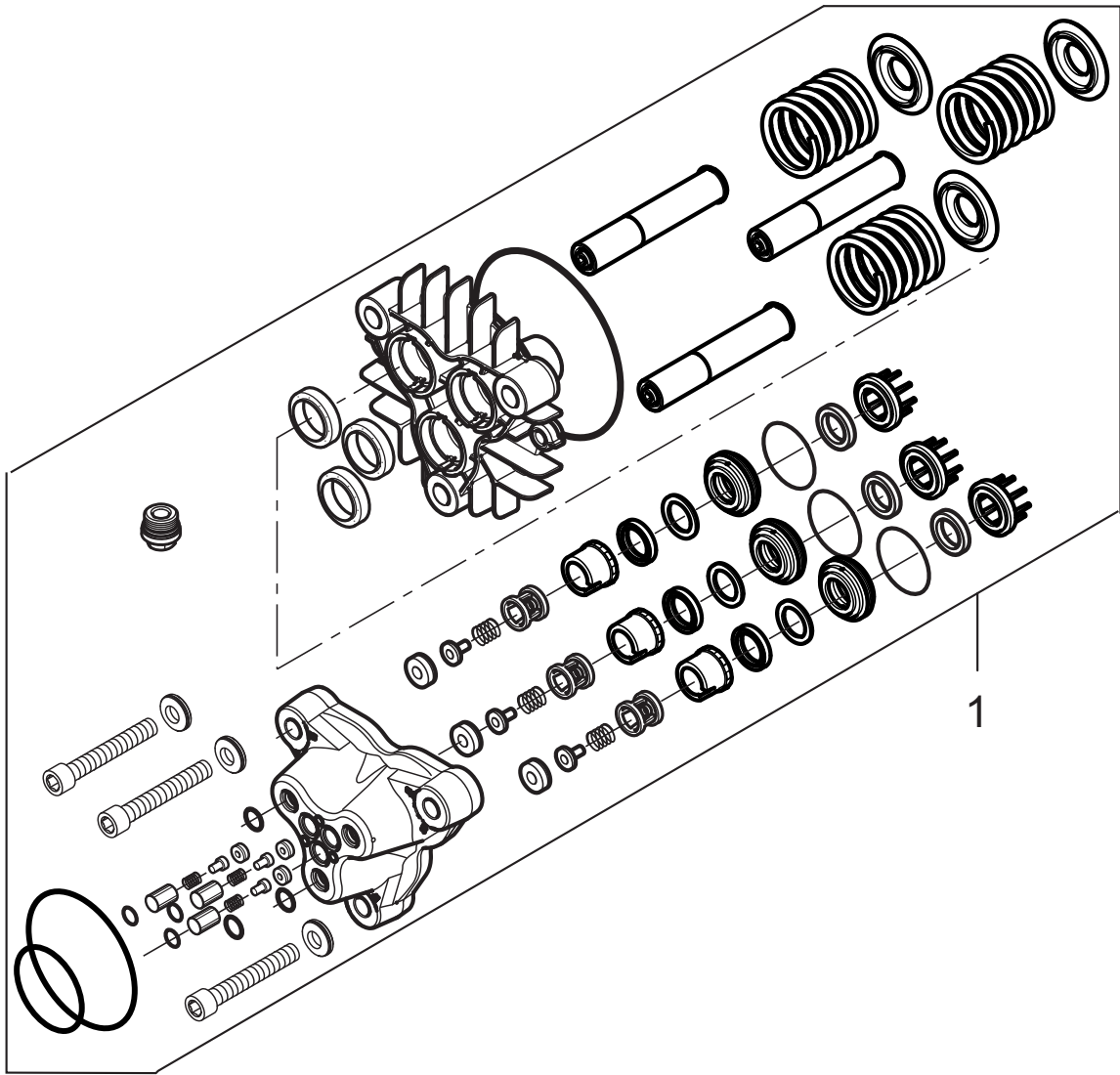
2019.04.05



| Pos. | Artikel-Nr. | Menge | Variante | Notes |
|------|-------------|-------|--|-------|
| 1 | 101118121 | 1 | Satz Ventile | |
| 2 | 101118323 | 1 | Wasserdichtungssatz | [1] |
| 2 | 101118256 | 1 | WATER SEAL NA5 HEAVYDUTY HOT SUCTION KIT | [2] |
| 3 | 107144102 | 1 | Dichtungssatz Kolben | |
| 4 | 101118239 | 1 | PISTON KIT - NA5.2 | |
| 5 | 107144104 | 1 | Satz Feder | |
| 6 | 107141983 | 1 | CYLINDER BLOCK W/ O-RING NA5.2 | [3] |
| 7 | 107141513 | 3 | Zylinderkopfschr M12x65 | [3] |
| 8 | 107141727 | 3 | Beilagscheibe D13 | [3] |
| 9 | 101118078 | 1 | Satz Flansch | |
| 10 | 107140919 | 1 | SUPPORT RING NA5 SPARE VPE 3 | |
| 11 | 107141968 | 1 | CYL.SCREW M12X80 WITH NORDLOCK WASHER | [3] |
| 12 | 107141969 | 3 | WASHER NLX12SP D12.5XD25.4X4.2MM | [3] |
| 13 | 107141985 | 1 | CYLINDER HEAD NA5.2 W. SCREWS WASHERS | [3] |
| 14 | 107141512 | 1 | O-Ring D114 x D1.78 | |
| 15 | 4042 | 2 | Schraube M8 X 40 8.8 | |
| 16 | 101118080 | 1 | Dichtungssatz | |

Part Notes:

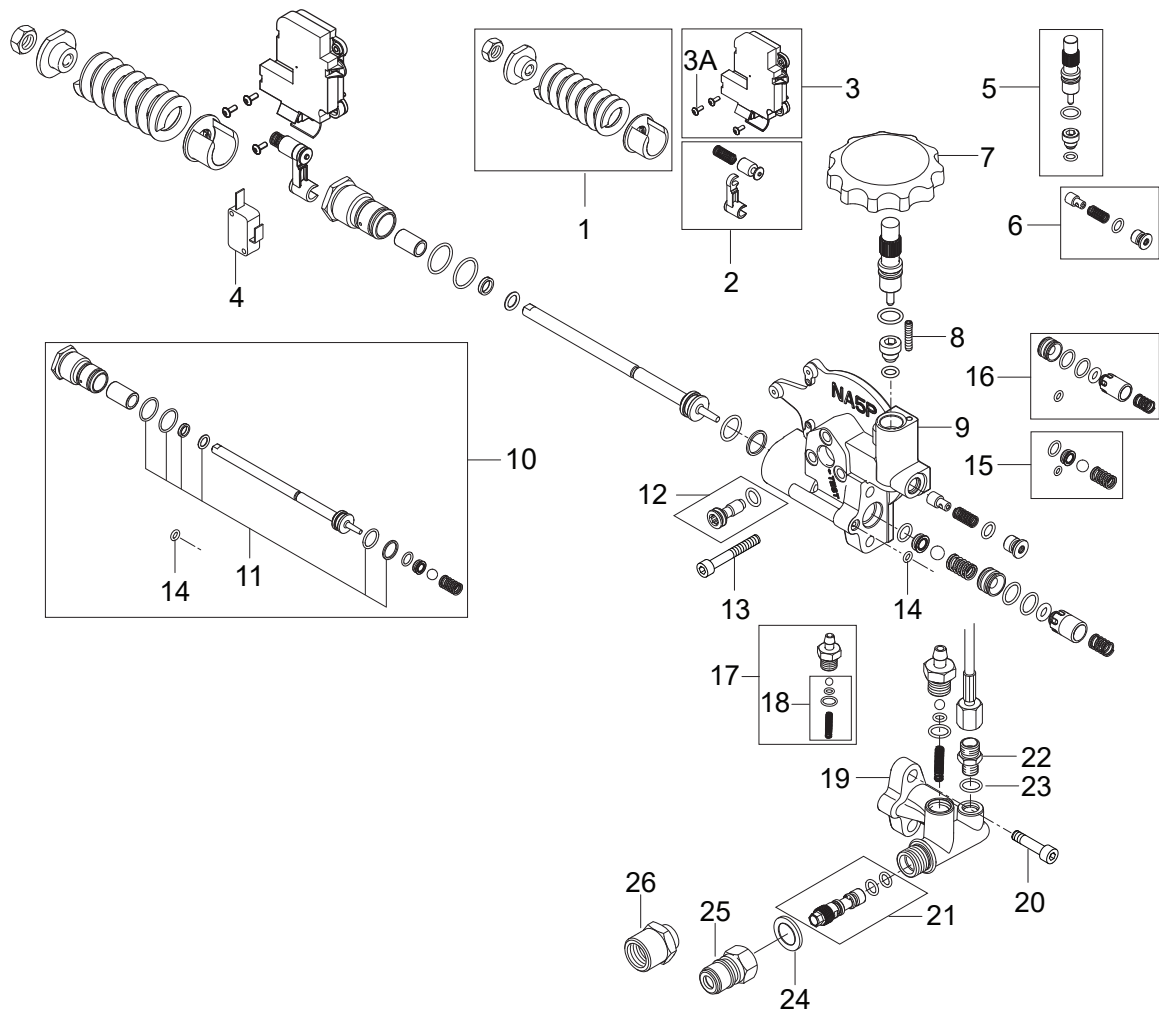
- [1] - TSB-PPW-2020-003 NA5 pump THRUST COLLAR changed
DE TSB-PPW-2020-003 NA5 Pumpe - Änderung der Druckringe
- TSB-PPW-2020-003 Nouvelles bagues laiton pour pompe NA5
- [2] - Heavy duty water seal kit. Inlet temperature can be increased from 60°C (140°F) to 80°C (176°F).
- TSB-PPW-2018-001 NA5.2 Pump Heavy Duty Kit hot water
DE TSB-PPW-2018-001 NA5.2 Pumpe Heißwasser Kit
- TSB-PPW-2018-001 Kit de joints renforcés pour pompe NA5_2
- [3] - TSB-PPW-2015-002 NA5.2 Pump Information
- TSB-PPW-2012-007 Washer for cylinder block NA5
DE TSB-PPW-2012-007 Unterlagscheibe Zylinderkopf



| Pos. | Artikel-Nr. | Menge | Variante | Notes |
|------|-------------|-------|----------------|-------|
| 1 | 101118324 | 1 | PUMP KIT NA5.2 | [1] |

Part Notes:

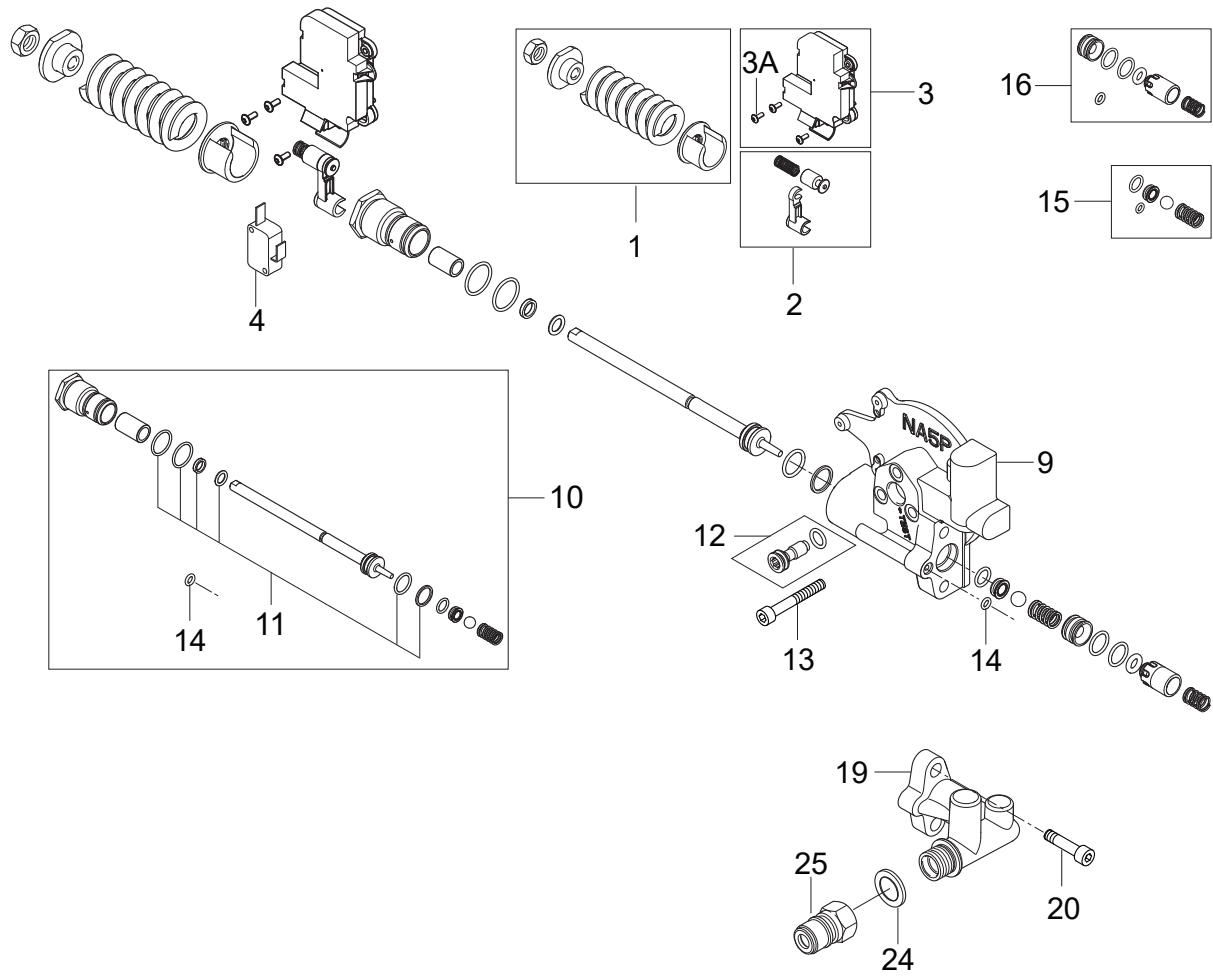
[1] - TSB-PPW-2020-003 NA5 pump THRUST COLLAR changed



| Pos. | Artikel-Nr. | Menge | Variante | Notes |
|------|-------------|-------|--|-------|
| 1 | 101118091 | 1 | Feder | [1] |
| 1 | 101118092 | 1 | DRUCKFEDER UNLACKIERT NA5 PA KIT | [2] |
| 2 | 101118090 | 1 | MICROSW. ACTIVATION REP. KIT NA5 PA | |
| 3 | 101118084 | 1 | Schaltergehäuse | |
| 3A | 107141515 | 3 | SCREW M3X8 ISO7380 FZG TORX 10 | |
| 4 | 301002754 | 1 | Mikroschalter | |
| 4A | 107143308 | 1 | CABLE FOR MICRO SWITCH MC5 | |
| 5 | 101118313 | 1 | FLOW REGULATION VALVE KIT | [3] |
| 6 | 101118314 | 1 | PRESSURE BUILD UP VALVE HIGH FLOW KIT | [3] |
| 7 | 107140823 | 1 | Drehgriff | |
| 8 | 106408188 | 1 | DIN 913 M4X20 POINTED SCREW | |
| 9 | 107140884 | 1 | UNLOADER PA NA5 | [3] |
| 10 | 101118294 | 1 | STEM + SEALING REP. KIT NA5/5.2/6/6+ PA | [4] |
| 11 | 101118083 | 1 | Reparatursatz Steuerkolben | |
| 12 | 107144137 | 1 | Stopfen | |
| 13 | 5100 | 3 | Zylinderschraube M6x45 | |
| 14 | 107141514 | 1 | O-RING D4 X D1.5 NBR 90 | |
| 15 | 101118295 | 1 | BYPASS VALVE REP. KIT NA5.2 PA | [5] |
| 16 | 101118254 | 1 | HOLDING PRESS.V.REP. KIT NA5.2PA - UK AU | [6] |
| 17 | 1119406 | 1 | Rückschlagventil | |
| 18 | 101118089 | 1 | Reparatursatz Ventil | |
| 19 | 107141516 | 1 | Gehäuse | |
| 20 | 8894 | 2 | Schraube M8 x 20 8.8 | |
| 21 | 107144112 | 1 | Injektor | |
| 22 | 1821 | 1 | Verbindungsstück | |
| 23 | 101814735 | 1 | Dichtring | |
| 24 | 1801075 | 1 | Dichtring | |
| 25 | 1600493 | 1 | Anschlusstück | |
| 25 | 1603101 | 1 | Nippel Schnellkupplung | [7] |
| 26 | 64235 | 1 | Verbindungsstück | |

Part Notes:

- [1] - 5-47 PA – MC 5M 170/980 PA
5-56 PA - MC 5M 200/1050 PA
5-56 FA - MC 5M 200/1050 FA
5-62 PA - MC 5M 220/1130 PA
5-62 FA - MC 5M 220/1130 FA(5-41 PA – MC 5M 180/840 PA)
- [2] - 5-30,
5-32 PA – MC 5M 100/770 PA
- [3] - TSB-PPW-2020-001 MH 4_MH 5M Damper Valve removed
DE TSB-PPW-2020-001 MH 4 MH 5M Dämpferkolben entfernt
TSB-PPW-2020-001 MH 4M5M_ MC 5M machine en version PA. Supression de l'anti bélier
- [4] - TSB-PPW-2017-005 Low pressure—Unloader valve for NA5.2 pump can leak internally
DE TSB-PPW-2017-005 Niederdruck-Unloader Ventil für die NA5.2 Pumpe kann...
- [5] - TSB-PPW-2017-005 Low pressure—Unloader valve for NA5.2 pump can leak internally
- [6] - 5-32, UK and 5-30, AU
TSB-PPW-2017-005 Low pressure—Unloader valve for NA5.2 pump can leak internally
- [7] - INOX



| Pos. | Artikel-Nr. | Menge | Variante | Notes |
|------|-------------|-------|--|-------|
| 1 | 101118091 | 1 | Feder | [1] |
| 2 | 101118090 | 1 | MICROSW. ACTIVATION REP. KIT NA5 PA | |
| 3 | 101118084 | 1 | Schaltergehäuse | |
| 3A | 107141515 | 3 | SCREW M3X8 ISO7380 FZG TORX 10 | |
| 4 | 101118011 | 1 | Schalter | |
| 4A | 107143308 | 1 | CABLE FOR MICRO SWITCH MC5 | |
| 9 | 107140932 | 1 | Steuerungsventil NA5 Wasser-Reinigungsmi | |
| 10 | 101118294 | 1 | STEM + SEALING REP. KIT NA5/5.2/6/6+ PA | [2] |
| 11 | 101118083 | 1 | Reparatursatz Steuerkolben | |
| 12 | 107144137 | 1 | Stopfen | |
| 13 | 5100 | 3 | Zylinderschraube M6x45 | |
| 14 | 107141514 | 1 | O-RING D4 X D1.5 NBR 90 | |
| 15 | 101118295 | 1 | BYPASS VALVE REP. KIT NA5.2 PA | |
| 16 | 101118254 | 1 | HOLDING PRESS.V.REP. KIT NA5.2PA - UK AU | |
| 19 | 107140933 | 1 | Ausgangsfitting NA5 Pumpe | |
| 20 | 8894 | 2 | Schraube M8 x 20 8.8 | |
| 24 | 1801075 | 1 | Dichtring | |
| 25 | 1603101 | 1 | Nippel Schnellkupplung | [3] |
| 25 | 1600493 | 1 | Anschlussstück | |

Part Notes:

- [1] - 5-41 PA – MC 5M 180/840 PA
5-53 PA - MC 5M 200/1000 PA
- [2] - TSB-PPW-2017-005 Low pressure—Unloader valve for NA5.2 pump can leak internally
DE TSB-PPW-2017-005 Niederdruck-Unloader Ventil für die NA5.2 Pumpe kann...
- [3] - INOX

**No
Diagram
Available**

**Parts List
Only**

| Pos. | Artikel-Nr. | Menge | Variante | Notes |
|------|-------------|-------|--|-------|
| | 101118106 | 1 | Satz Befestigungsteile | |
| | 101118111 | 1 | Satz Befestigungsteile | |
| | 101118102 | 1 | Kurbel | |
| | 107141632 | 1 | KABELHALTERUNG | |
| | 107141668 | 1 | Wassereinlass | |
| | 107141652 | 1 | Manometer Röhre | |
| | 107141679 | 1 | Schlauchführung | |
| | 107141676 | 1 | Anschlussstück | |
| | 107141663 | 1 | Tülle | |
| | 107141635 | 1 | Reinigungsmitteltank | |
| | 107141664 | 1 | Deckel | |
| | 107141670 | 1 | Schlauch | |
| | 107141667 | 1 | Sicherungsring | |
| | 107141629 | 1 | Schlauchhalterung | |
| | 107141650 | 1 | Halter | |
| | 107141634 | 1 | Hinterteil | |
| | 101118103 | 1 | Schlauchführung | |
| | 107141633 | 1 | Klemmleiste | [1] |
| | 107141648 | 1 | MANOMETER 0-300 BAR | |
| | 107141630 | 1 | Lanzenhalterung NA | |
| | 107141653 | 1 | MANOMETER TUBE FA MODELS | |
| | 101118104 | 1 | Satz Befestigungsteile | |
| | 101118101 | 1 | Griffschale | |
| | 107141615 | 1 | Stützfuß | |
| | 107141627 | 1 | SCREW K50X40 T20 | |
| 0A | 101118080 | 1 | Dichtungssatz | |
| 0A | 107144100 | 1 | Ventilsatz NA 5 | |
| 0A | 101118083 | 1 | Reparatursatz Steuerkolben | |
| 0A | 101118314 | 1 | PRESSURE BUILD UP VALVE HIGH FLOW KIT | [2] |
| 0A | 107144102 | 1 | Dichtungssatz Kolben | |
| 0A | 101118050 | 1 | SEALING KIT FOR NA6 | |
| 0A | 3004221 | 1 | O-RING 16X2 NITRIL 70 SHORE | |
| 0A | 101118056 | 1 | Rückschlagventil | [3] |
| 0A | 101118055 | 1 | MAGNET AND HOUSE FOR FLOW SWITCH-KIT NA6 | |
| 0A | 101117926 | 1 | Sieb | |
| 0B | 101118295 | 1 | BYPASS VALVE REP. KIT NA5.2 PA | |
| 0B | 101118294 | 1 | STEM + SEALING REP. KIT NA5/5.2/6/6+ PA | |
| 0B | 107144104 | 1 | Satz Feder | |
| 0B | 101118239 | 1 | PISTON KIT - NA5.2 | |
| 0B | 106408216 | 1 | Mikroschalter | |
| 0B | 107144112 | 1 | Injektor | |
| 0C | 101118242 | 1 | WOBBLE DISC 10.9 DEG. BEARING KIT NA5.2 | |
| 0C | 101118247 | 1 | WOBBLE DISC 8.7 DEG. BEARING KIT NA5.2 | |
| 0C | 101118245 | 1 | WOBBLE DISC 9.15 DEG. BEARING KIT NA5.2 | |
| 0C | 101118241 | 1 | WOBBLE DISC 12 DEG. BEARING KIT NA5.2 | |
| 0C | 101118246 | 1 | WOBBLE DISC 8.4 DEG. BEARING KIT NA5.2 | |
| 0C | 101118249 | 1 | WOBBLE DISC 7.2 DEG. BEARING KIT NA5.2 | |
| 0C | 101118243 | 1 | WOBBLE DISC 10.2 DEG. BEARING KIT NA5.2 | |
| 0C | 101118051 | 1 | PLUG FOR UNLOADER VALVE FA - KIT NA6 | |
| 0C | 301000263 | 1 | Sicherung | |
| 0C | 301001058 | 1 | Schalter | |
| 0C | 107142761 | 1 | START RELAY RVA4G0C | |
| 0C | 107141957 | 1 | MOTOR 4KW 200/3/50-60HZ JP 5-47 JP | |
| 0C | 101118091 | 1 | Feder | |
| 0C | 101118117 | 1 | Steuereinheit - Kit NA5 | |
| 0C | 31000149 | 1 | Lager RF | |
| 0C | 107141619 | 1 | CAPACITOR 170MF | |
| 0C | 103822303 | 1 | Schütz CJX2-D18 18A 400V 3P+NO | |
| 0C | 301000402 | 1 | Widerstand 15 kΩ | |

| Pos. | Artikel-Nr. | Menge | Variante | Notes |
|------|-------------|-------|--|-------|
| 0C | 31000151 | 1 | Hinteres Lager EME | |
| 0C | 101118089 | 1 | Reparatursatz Ventil | |
| 0C | 107143182 | 1 | CAPACITOR 70UF 450/500V RP-3 | |
| 0C | 107141954 | 1 | MOTOR 5.5 KW 220/230-400/440/3/50/60 EU | |
| 0C | 101118090 | 1 | MICROSW. ACTIVATION REP. KIT NA5 PA | |
| 0C | 107141956 | 1 | MOTOR 2.2 KW/230/1 50HZ | |
| 0C | 64773 | 1 | Hilfskontakt 100-SBL11 | |
| 0C | 101118011 | 1 | Schalter | |
| 0C | 103822314 | 1 | Schütz 100-C30KF10 | |
| 0C | 107141953 | 1 | MOTOR 6.7KW 220-440/230-400/3 50/60HZ-EU | |
| 0C | 101118078 | 1 | Satz Flansch | |
| 0C | 63910 | 1 | Schütz 100-C23KF10 | |
| 0C | 1119406 | 1 | Rückschlagventil | |
| 0C | 106408189 | 1 | NUT M8 X 1 FOR UNLOADER VALVE FA | |
| 0C | 107141955 | 1 | MOTOR 5.2 KW/220/1 60HZ 5-52 US | |
| 0C | 107141967 | 1 | D-BEARING COVER COMPLETE NA5.2 | |
| 0C | 103822304 | 1 | Schütz CJX2-D18 18A 230V 3P+NO | |
| 0C | 107141958 | 1 | MOTOR 4KW 230-400/220-440 3/50-60HZ NA5 | |
| 0C | 107141666 | 1 | PCB POSEIDON 5-6-7 | |

Part Notes:

- [1] - ECN-1010232
- [2] - TSB-PPW-2020-001 MH 4_MH 5M Damper Valve removed
- [3] - Spring included: OD8,2 x L9,3 x d0,5

**No
Diagram
Available**

**Parts List
Only**

| Pos. | Artikel-Nr. | Menge | Variante | Notes |
|------|-------------|-------|--|-------|
| 1 | 106403122 | 1 | ERGO 2000 STANDARD W. HOSE SWIVEL | [1] |
| 1 | 106403154 | 1 | ERGO 2000 SPRAY GUN W/O LOGO ACC. | [2] |
| 2 | 106403010 | 1 | TORNADO PLUS 1120 Geb. o. Düse | [3] |
| 3 | 101119741 | 1 | HD-Düse 0500 TORNADO | [4] |
| 3 | 101119746 | 1 | HD-Düse 0650 TORNADO hell | [5] |
| 3 | 101119742 | 1 | HD-Düse 0530 TORNADO | [6] |
| 3 | 101119738 | 1 | Düse NT0400 | [7] |
| 3 | 301150005 | 1 | HD-Düse 0475 TORNADO | [8] |
| 4 | 106403003 | 1 | TurboHammer Plus 050 W12 | [9] |
| 4 | 106402291 | 1 | TURBOHAMMER PLUS 1140 | [10] |
| 4 | 65437 | 1 | Rotordüse 040 | [7] |
| 5 | 101405770 | 1 | HD-Schlauch DN 8x10m | [11] |
| 5 | 101406175 | 1 | HP-HOSE DN6 15M 3/8-3/8 F. QUICK COUPL | [12] |
| 5 | 301001101 | 1 | HD-Schlauch DN8x20m | [13] |
| 5 | 301001100 | 1 | HOCHDRUCKSCHLAUCH ALTO DN 8 15M | [11] |
| 10 | 106403142 | 1 | Sandfilter-Set f. POS-Mod | [14] |
| 11 | 106403165 | 1 | Sandfilter-Set f. POS | [15] |
| 12 | 106403143 | 1 | Schlauchrolle Satz | [16] |
| 13 | 101118105 | 1 | Schlauchführung | [16] |
| 14 | 106403145 | 1 | Lenkrollen-Set | [17] |
| 15 | 106403144 | 1 | Wasservorlaufbehälter Poseidon 5,6,7,8 | [18] |
| 16 | 106403160 | 1 | Kranaufrichtung bis 1000kg | [19] |
| 17 | 106403162 | 1 | Reinigungsmitteltank | [20] |
| 18 | 106403166 | 1 | Öl Niedrigstand Schutz | [21] |
| NS | 106408164 | 1 | BOTTLE FOR FOAM SPRAYER 2 L | |

Part Notes:

- [1] - ERGO 2000 Spray handle
- [2] - UNITOR
- [3] - TORNADO PLUS lance
- [4] - 5-47 J, 5-53, 5-56
- [5] - 5-52 US
- [6] - 5-62
- [7] - 5-41
- [8] - 5-32
- [9] - 5-32

- [10] - TURBOHAMMER PLUS lance
- 5-53
TURBOHAMMER PLUS lance
- [11] - HOSES Overview
- [12] - POSEIDON 5-41 PAXT, 5-53 PAXT
HOSES Overview
- [13] - POSEIDON 5- 62 PAXT
HOSES Overview
- [14] - SANDFILTER KIT POSEIDON 5-6-7 from September 2012
- [15] - PRUNED-NO REPLACEMENT
SANDFILTER FOR WBT POSEIDON 5-6-7 from September 2012
- [16] - Hose reel
- [17] - PRUNED-NO REPLACEMENT
106403145 - Front wheel kit
- [18] - 106403144 - WATER BRAKE TANK POSEIDON 5-6-7 from September 2012
- [19] - PRUNED ACCESSORY

- [20] - Crane roundsling 1000kg 50cm
- 106403162 - Detergent tank with safety cap
- [21] - PRUNED-NO REPLACEMENT

106403166 - Low pump oil safety function for POSEIDON 5

