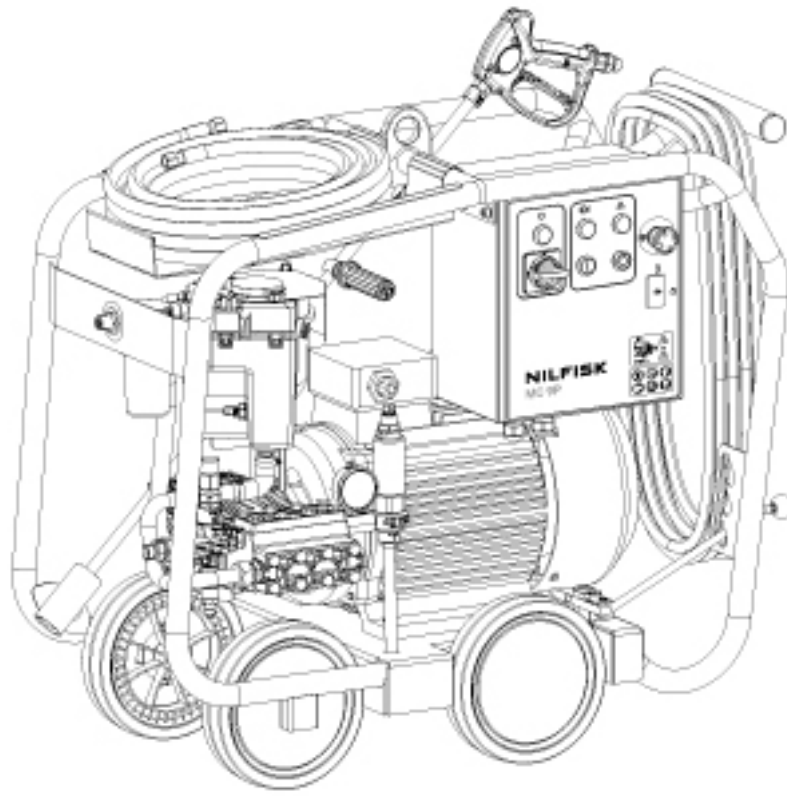


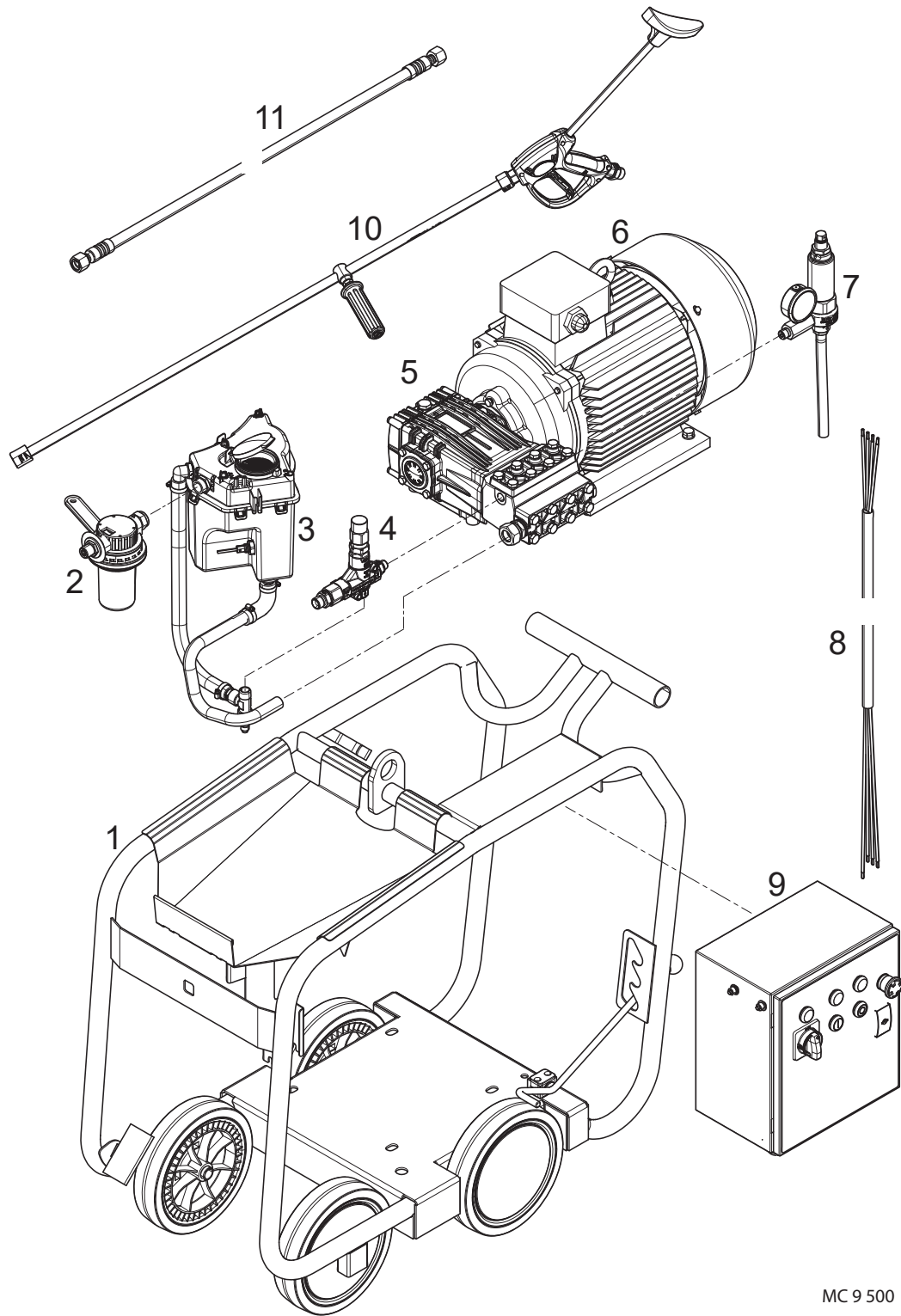
PARTS LIST



2023.02.20

TABLE OF CONTENTS

| | |
|--|----|
| Overview | 1 |
| Frame MC9 | 3 |
| Water inlet | 5 |
| Water break tank | 7 |
| Unloader valve assembly | 9 |
| Pump | 11 |
| Motor | 14 |
| Safety valve MC9-MC10 500 | 16 |
| EI-box | 18 |
| Gun 500, lance and nozzle | 20 |
| Nozzles | 22 |
| Hoses | 24 |
| Protective equipment and service tools | 26 |

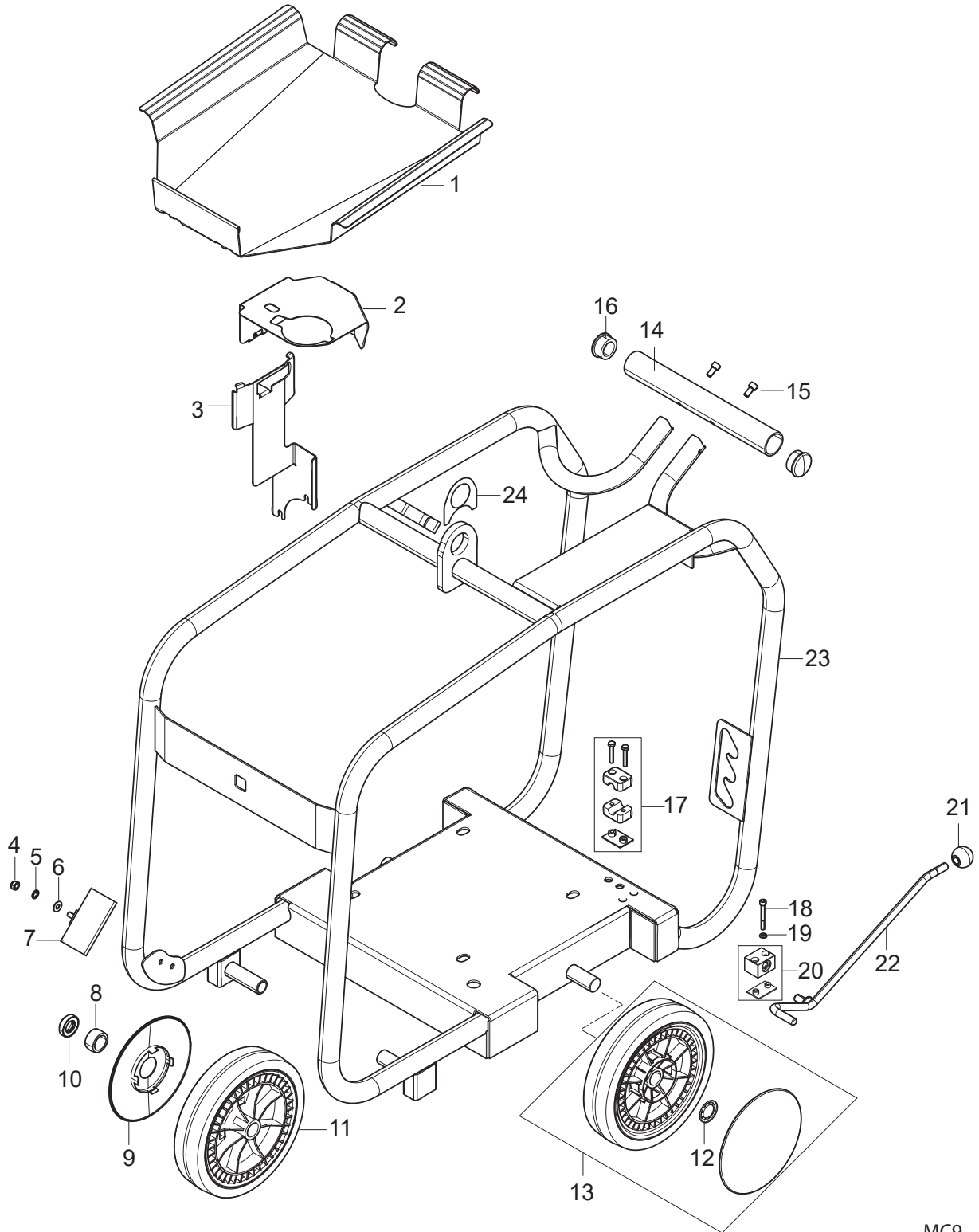


MC 9 500

| Pos. | Artikel-Nr. | Menge | Variante | Notes |
|------|-------------|-------|---------------------------------------|-------|
| 1 | | 1 | Frame | [1] |
| 2 | | 1 | Water inlet | [2] |
| 3 | | 1 | Water break tank | [3] |
| 4 | | 1 | Unloader valve | [4] |
| 5 | | 1 | Pump unit | [5] |
| 6 | | 1 | Motor assembly | [6] |
| 7 | | 1 | Safety valve | [7] |
| 8 | 101118340 | 1 | POWER CORD H07RN-F 4G6,0MM2Power cord | |
| 9 | | 1 | Electric assembly | [8] |
| 10 | | 1 | Gun, lance and nozzles | [9] |
| 11 | 700550097 | 1 | SCHLAUCH 500 BAR 15M | |

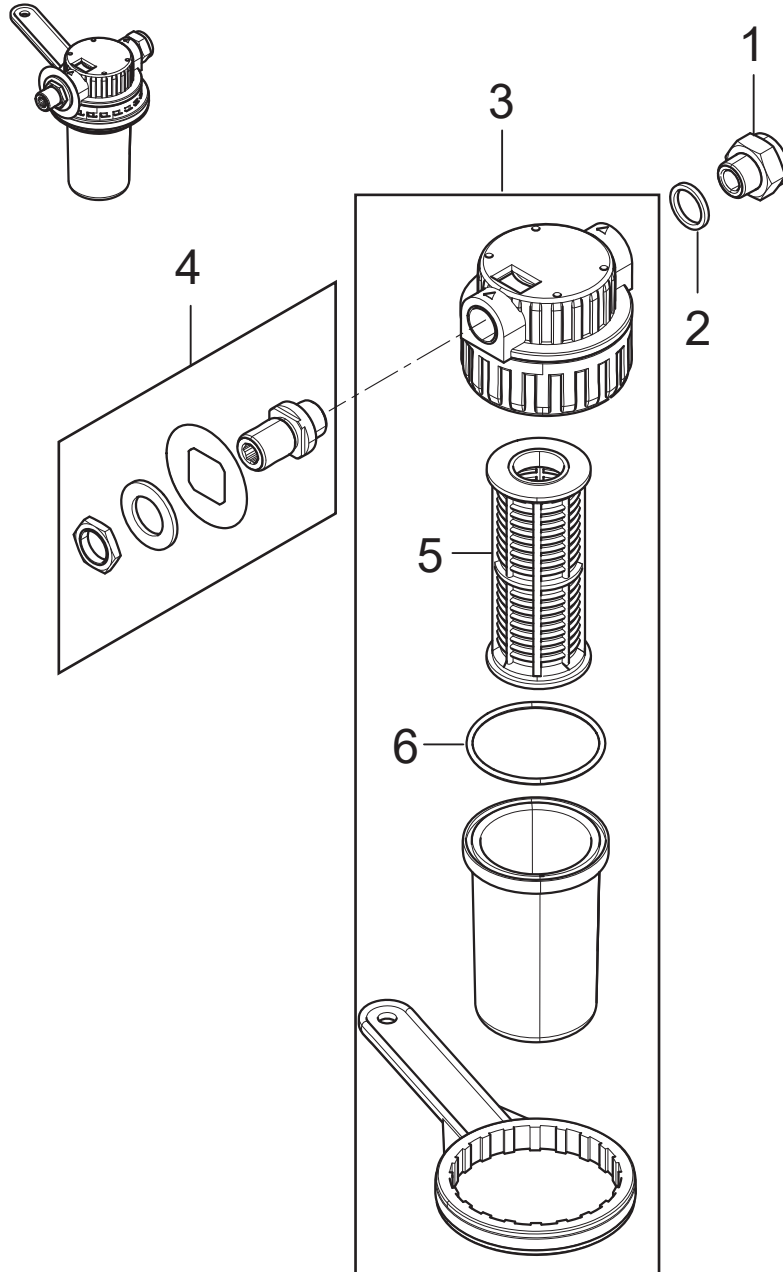
Part Notes:

- [1] - Frame MC9
- [2] - Water inlet
- [3] - Water break tank
- [4] - Unloader valve assembly
- [5] - Pump
- [6] - Motor
- [7] - Safety valve MC9-MC10 500
- [8] - El-box
- [9] - Gun 500, lance and nozzle



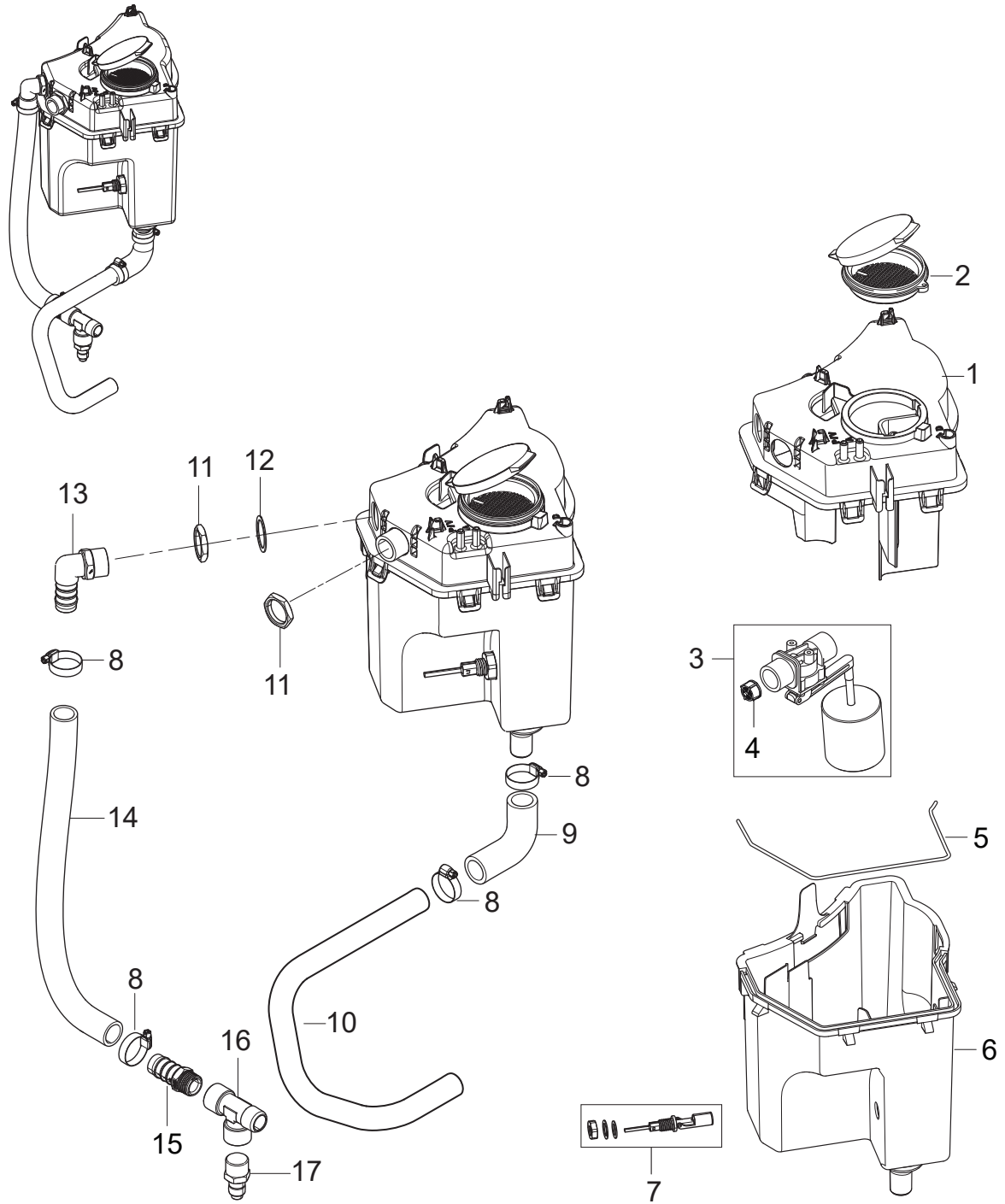
MC9

| Pos. | Artikel-Nr. | Menge | Variante | Notes |
|------|-------------|-------|--|-------|
| 1 | 101118329 | 1 | HOSE TRAY MC-9P KIT | |
| 2 | 107148000 | 1 | TOP COVER FOR WATER BREAK TANK | |
| 3 | 107148001 | 1 | BRACKET FOR WATER BREAK TANK MC9 | |
| 4 | 107148124 | 2 | LOCK NUT M8 ZN | |
| 5 | 1810274 | 1 | Fächerscheibe 8,2 -J- DIN 6798 VA | |
| 6 | 1800796 | 1 | Scheibe 8,4 | |
| 7 | 107148002 | 1 | LANCE HOLDER | |
| 8 | 107148003 | 2 | SPACER FOR WHEEL | |
| 9 | 107148004 | 2 | WHEEL CAP | |
| 10 | 2004265 | 2 | Kappe | |
| 11 | 107143304 | 2 | Rad D250 mit Abdeckung | |
| 12 | 46363 | 2 | Klemmscheibe | |
| 13 | 107143304 | 2 | Rad D250 mit Abdeckung | |
| 14 | 107148005 | 1 | HANDLE BAR MC-9P | |
| 15 | 8894 | 2 | Schraube M8 x 20 8.8 | |
| 16 | 107148007 | 2 | PLUG ENDCAP D42,4 BLACK PLASTIC | |
| 17 | 107148008 | 1 | TUBE CLAMP SINGLE F. Ø15mm RAN215X BLACK | |
| 18 | 1814634 | 2 | Schraube M6 x 50 | |
| 19 | 1813807 | 2 | Scheibe M6 | |
| 20 | 101118331 | 1 | BRAKE HINGE KIT | |
| 21 | 301002690 | 1 | Kugelknopf PLX.35-M10-C9 | |
| 22 | 107148010 | 1 | BRAKE MC 9 | |
| 23 | 107148012 | 1 | FRAME MC-9 | |
| 24 | 107148009 | 2 | LABEL FOR HOIST PLATE MC - 9 | |

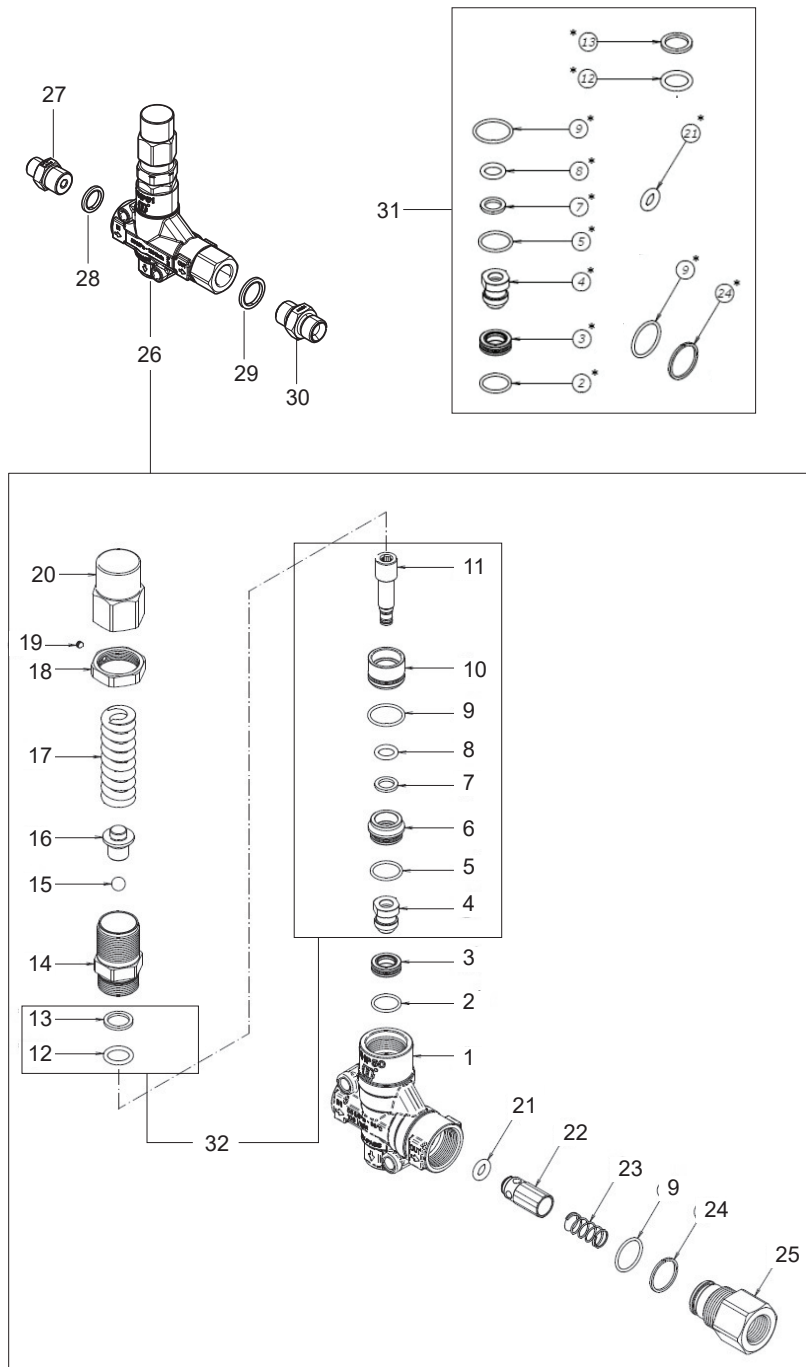


MC9

| Pos. | Artikel-Nr. | Menge | Variante | Notes |
|------|-------------|-------|--------------------------------|-------|
| 1 | 107148026 | 1 | REDUCER COUPLING 3/4 F x 1/2 M | |
| 2 | 3001237 | 1 | Dichtung | |
| 3 | 107148139 | 1 | FILTER 1/2C W/2 MESH/ MF-C12 | |
| 4 | 101118332 | 1 | INLET FITTING MC 9 KIT | |
| 5 | | 1 | 700520756 | |
| 6 | | 1 | Gasket | |

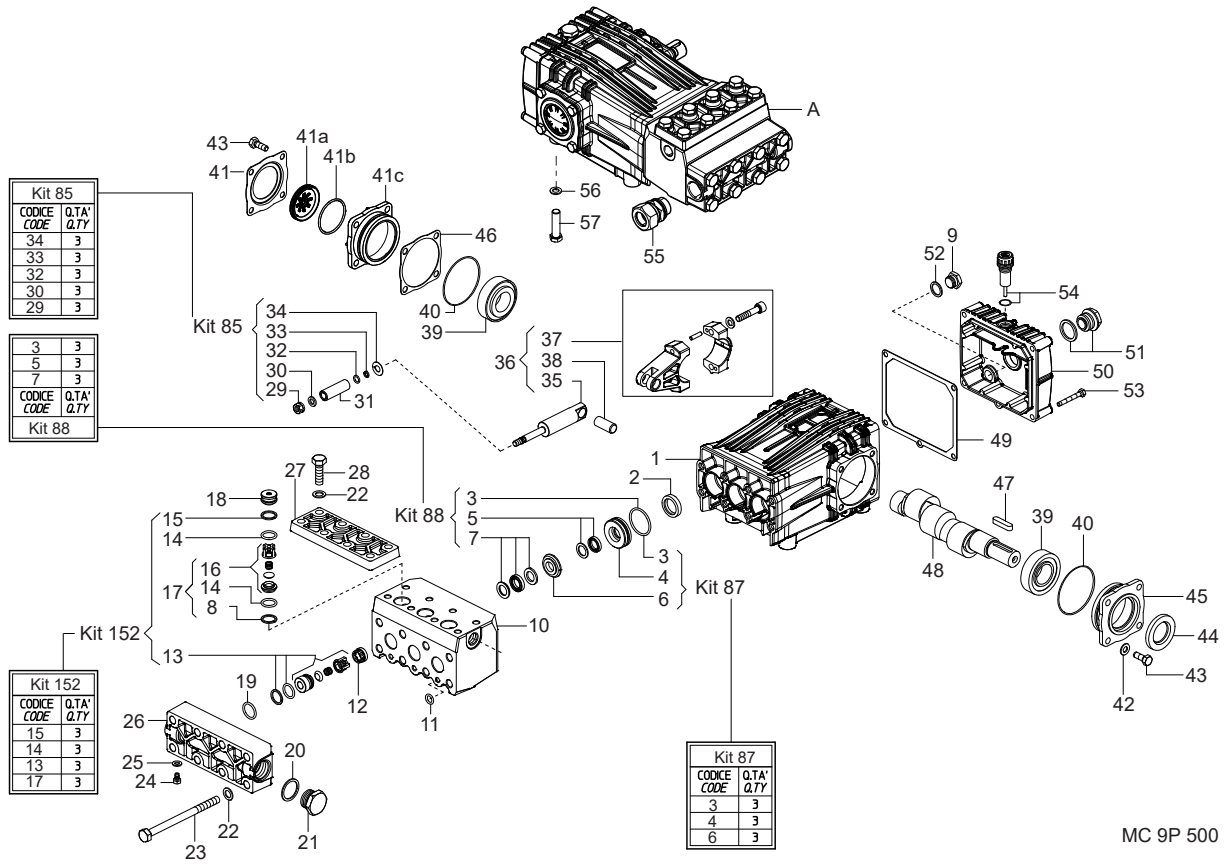


| Pos. | Artikel-Nr. | Menge | Variante | Notes |
|------|-------------|-------|----------------------------------|-------|
| 1 | 107148028 | 1 | LID FOR WATER TANK | |
| 2 | 301000561 | 1 | Deckel RP-Behälter | |
| 3 | 101117784 | 1 | Schwimmerventil | |
| 4 | 34218 | 1 | Filter Ø19 KU | |
| 5 | 101406054 | 1 | Dichtung | |
| 6 | 107148029 | 1 | WATER BREAK TANK | |
| 7 | 107148030 | 1 | LEVEL SENSOR ASSEMBLY | |
| 8 | 8298 | 4 | Schlauchschelle SGL 16-27 | |
| 9 | 107141670 | 1 | Schlauch | |
| 10 | 107148031 | 1 | PIPE BENDED MC-9 360BAR | |
| 10 | 107148036 | 1 | PIPE BENDED MC-9 500bar | |
| 11 | 1800341 | 2 | Gegenmutter 3/4 | |
| 12 | 107148032 | 1 | WASHER FOR WATER BREAK TANK | |
| 13 | 107307371 | 1 | HOSESTUD 90DEG PA D19X3/4 A2-29 | |
| 14 | 107143031 | 1 | FUELFLEX HOSE D28/D20 10BAR/20° | |
| 15 | 107148027 | 1 | HOSETAIL 19X1/2 PA BLUE | |
| 16 | 107148034 | 1 | BRASS MALE RUN TEE 1/2"BSP | |
| 17 | 107148035 | 1 | THERMO SENSOR 1/2 INCH 140-158°F | |



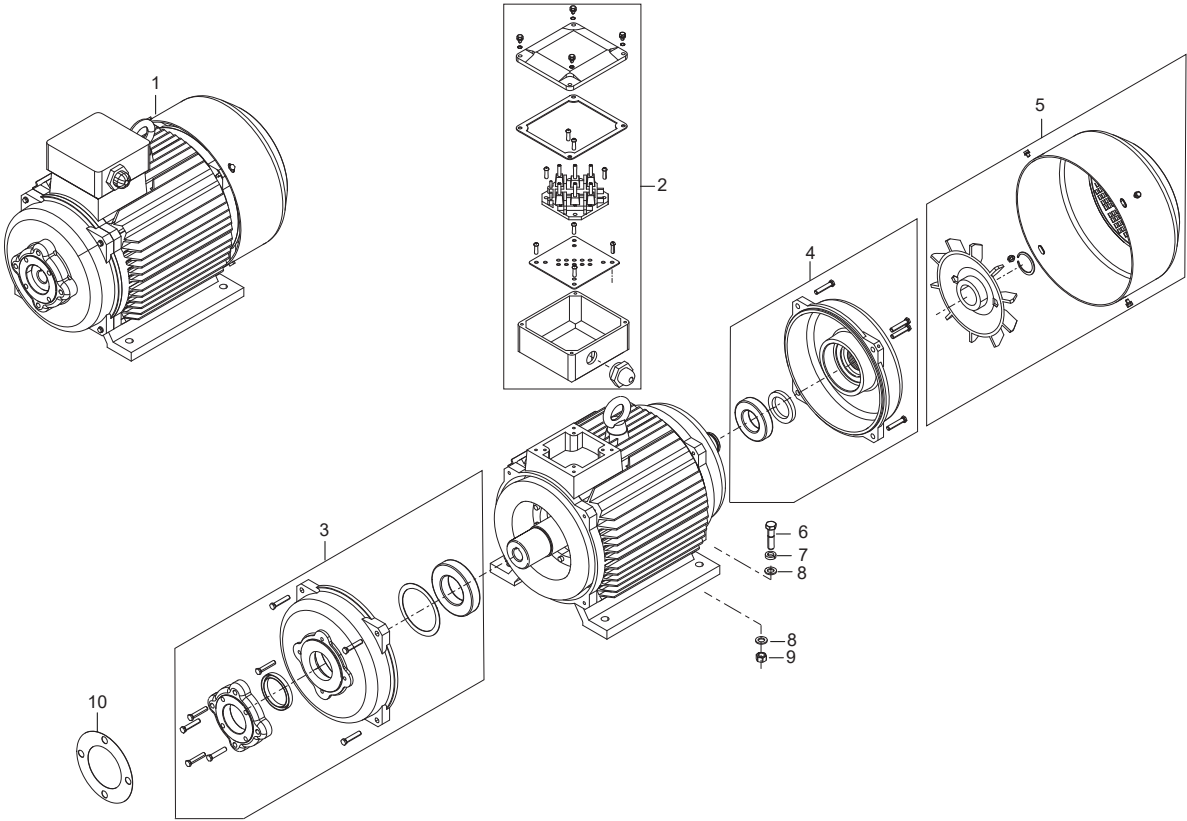
MC9 500

| Pos. | Artikel-Nr. | Menge | Variante | Notes |
|------|-------------|-------|-------------------------------------|-------|
| 1 | | 1 | Valve body 1/2" F | |
| 2 | | 1 | O-ring 1.78x15.6 2062 NBR 90 NERO | |
| 3 | | 1 | Valve Seat | |
| 4 | | 1 | Shutter Seal | |
| 5 | | 1 | O-ring 1.78x17.17 2068 NBR 90 NERO | |
| 6 | | 1 | Piston Spacer | |
| 7 | | 1 | Backup Washer 10 x 14.7 x T1.8 | |
| 8 | | 1 | O-ring 2.62x9.92 112 NBR 90 NERO | |
| 9 | | 2 | O-ring 1.78x20.35 2081 NBR 90 NERO | |
| 10 | | 1 | Spacer Support | |
| 11 | | 1 | Piston | |
| 12 | | 1 | O-ring 2.62x13.95 3056 NBR 90 NERO | |
| 13 | | 1 | Backup Washer 14 x 18.7 x T1.8 | |
| 14 | | 1 | Piston Fitting | |
| 15 | | 1 | S.S Ball | |
| 16 | | 1 | Pin Holder | |
| 17 | | 1 | Spring 5.4x16.6x65 | |
| 18 | | 1 | Lock Nut M27x1.25 | |
| 19 | | 1 | Set Screw M4 | |
| 20 | | 1 | Knob | |
| 21 | | 1 | O-ring 3.53x7.52 4028 NBR 90 NERO | |
| 22 | | 1 | UNLOADER PRES.SHUTTER | |
| 23 | | 1 | UNLOADER PRES.SHUTTER SPRING | |
| 24 | | 1 | Backup Washer 20.8 x 23.7 x T1.4 | |
| 25 | | 1 | Fitting 1/2" | |
| 26 | 107148151 | 1 | UN-IOADER VALVE COMPLETE | |
| 27 | 107148043 | 1 | "FITTING 3/8" M-BSPP - 1/2" M-BSPT" | |
| 28 | 107148152 | 1 | DOWTY SEAL 3/8C 80SH | |
| 29 | 107148145 | 1 | DOWTY SEAL 1/2C 80SH | |
| 30 | 107148044 | 1 | NIPPLE HOSE 60° 1/2" - 1/2" BSPP-M | |
| 31 | 700540983 | 1 | GASKET KIT FOR UNLOADER VALVE 500 | |
| 32 | 106408382 | 1 | REPAIR KIT F UNLOADER VALVE 500 | |

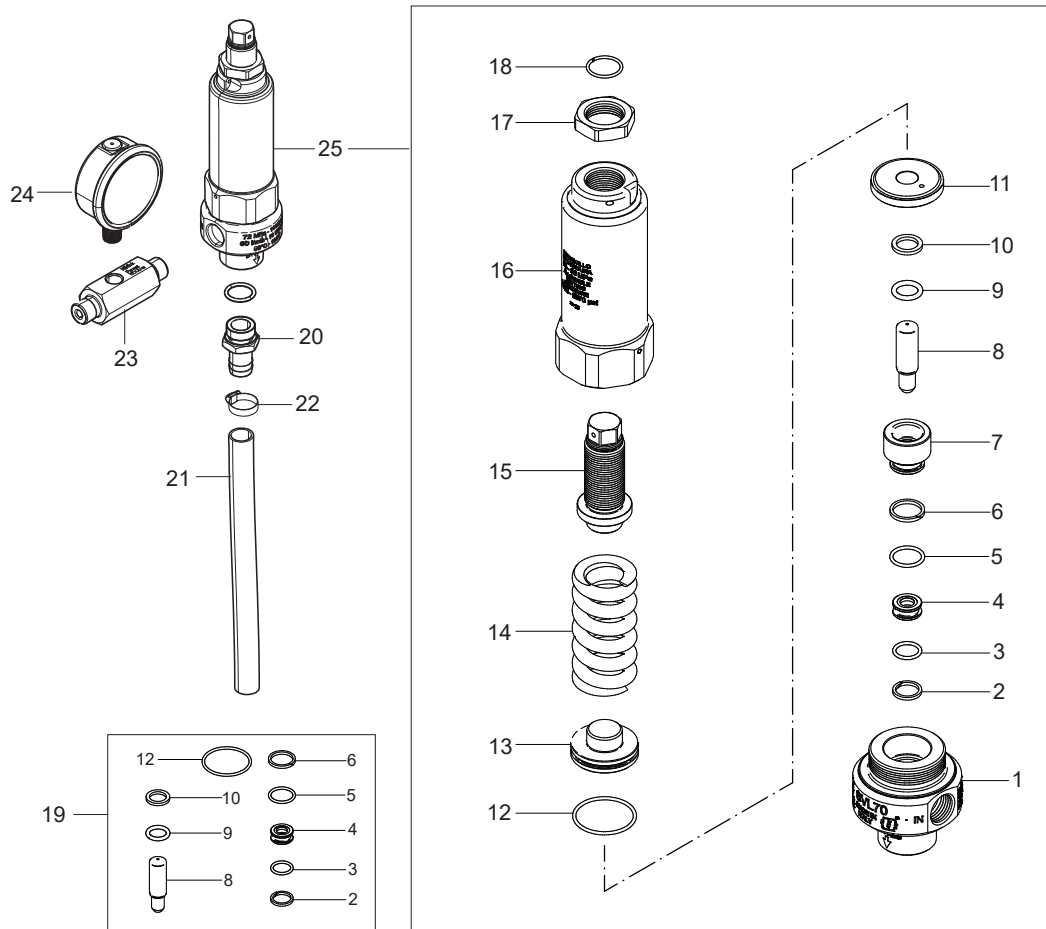


| Pos. | Artikel-Nr. | Menge | Variante | Notes |
|------|-------------|-------|------------------------------------|-------|
| A | 107148120 | 1 | PUMP CHC 16/50S 50Hz | |
| A | 107148121 | 1 | PUMP CHD 4.5/75S 60Hz | |
| 1 | 700505287 | 1 | CRANKCASE "C/CK/CH" | |
| 2 | 700505289 | 3 | OIL SEAL D20 | |
| 3 | 700505058 | 3 | O-RING D36,17O-RING | |
| 4 | 700505154 | 3 | PRESSURE RING D15 "GH/PENTA 500" | |
| 5 | 700505144 | 3 | LOW PRESS. SEAL KIT D15 "GH" | |
| 6 | 700505061 | 3 | UPPER RING D15 | |
| 7 | 700505143 | 3 | HIGH PRESS. SEAL KIT D15 "GH" | |
| 8 | 106408305 | 3 | RING GH PENTA 500 | |
| 9 | 700160302 | 1 | PLUG G3/8 | |
| 10 | 700505064 | 1 | HEAD "GH" PISTON D15 INOX | |
| 11 | 106408275 | 3 | O RING D9.92 | |
| 12 | 700505066 | 3 | SPACER "GH" | |
| 13 | 700505175 | 3 | SUCTION VALVE ASSY "GH/GX" | |
| 14 | 700505068 | 9 | O-RING D17,13 90SHORE | |
| 15 | 106408345 | 6 | PLUG RING PENTA 600 | |
| 16 | 106408306 | 3 | OUTLET VALVE ASSY GH GX W T O RING | |
| 17 | 106408352 | 3 | OUTLET VALVE ASSY GH GX | |
| 18 | 700505164 | 3 | PLUG "GH/PENTA 500" | |
| 19 | 700505020 | 3 | O-RING D20,24 90SHORE | |
| 20 | 106408333 | 1 | GASKET D27 | |
| 21 | 106408334 | 1 | PLUG G3/4 | |
| 22 | 700505022 | 16 | SCHNORR WASHER D10 | |
| 23 | 106408279 | 8 | HEX SCREW M10X140 UNI5737 | |
| 25 | 700505157 | 1 | BONDED WASHER D6,7 | |
| 24 | 106408277 | 3 | HEX SCREW M6X10 UNI5739 | |
| 26 | 106408273 | 1 | SUCTION MANIFOLD GH | |
| 27 | 106408337 | 1 | COVER GH | |
| 28 | 106408332 | 1 | HEX SCREW M10X35 UNI5737 | |
| 29 | 700505136 | 3 | NUT "GH" D15 LOCTITE | |
| 30 | 700505140 | 3 | GASKET D8 | |
| 31 | 700505080 | 3 | CERAMIC PLUNGER D15 "GH/PENTA" | |
| 32 | 700505148 | 3 | O-RING D5,28 | |
| 33 | 700505124 | 3 | RING D6,3 | |
| 34 | 106408351 | 3 | DISC PENTA 500 | |
| 35 | 700505286 | 3 | PLUNGER GUIDE D15 "CH" | |
| 36 | 106408320 | 3 | COMPLETE ROD ASSY CH D15 BRONZE | |
| 37 | 700505040 | 3 | ROD ASSY "C/CK/CH" | |
| 38 | 700505039 | 3 | PIN D14X32 | |
| 39 | 106408272 | 2 | ROLLER BEARING D30 | |
| 40 | 700505044 | 2 | O-RING D67,95 | |
| 41 | 106408276 | 1 | METAL COVER C CK CH CX INOX | |
| 41a | 106408271 | 1 | COVER B BK C CK | |
| 41b | 106408274 | 1 | O RING D44.12 | |
| 41c | 700505056 | 1 | BEARING HOLLOW FLANGE "G/GK/GW/GS" | |
| 42 | 106408314 | 8 | WASHER D8.4 | |
| 43 | 106408278 | 8 | HEX SCREW M8X22 UNI5739 | |
| 44 | 700505057 | 1 | OIL SEAL D30 | |
| 45 | 700505056 | 1 | BEARING HOLLOW FLANGE "G/GK/GW/GS" | |
| 46 | 700505055 | 1 | SHIM MM.0,1 "G/GK/GH/GW/GS" | |
| 47 | 700505054 | 1 | KEY A8X7X35 UNI6604 | |
| 48 | 700505085 | 1 | MALE SHAFT "CH" D24 | |
| 48 | 700505115 | 1 | MALE SHAFT "CK/CH" D24 | |
| 49 | 700505047 | 1 | BACK COVER GASKET "G/GK/GX/GH" | |
| 50 | 700505288 | 1 | BACK COVER "C/CK" | |
| 51 | 700505052 | 1 | OIL PLUG G3/4+GASKET | |
| 52 | 700060509 | 1 | GASKET D17 | |
| 53 | 700505049 | 1 | HEX SCREW M6X45 UNI5737 | |

| Pos. | Artikel-Nr. | Menge | Variante | Notes |
|---------|-------------|-------|----------------------------------|-------|
| 54 | 700505046 | 3 | OIL PLUG G3/8 "G/GK/GH" | |
| 55 | 107148093 | 1 | FITTING M W. SEAL 22x3/4 BSPP | |
| 56 | 1801182 | 4 | Federring 8,1 | |
| 57 | 107143597 | 4 | SCREW M8X40 | |
| KIT 85 | 700505097 | 1 | PLUNGER KIT D15 "GH" (KIT 85) | |
| KIT 87 | 700505094 | 1 | BRASS RING KIT D15 "CH" (KIT 87) | |
| KIT 88 | 700505095 | 1 | WATER SEAL KIT D15 "CH" (KIT 88) | |
| KIT 152 | 700505096 | 1 | VALVE KIT D18 "GH" (KIT 152) | |

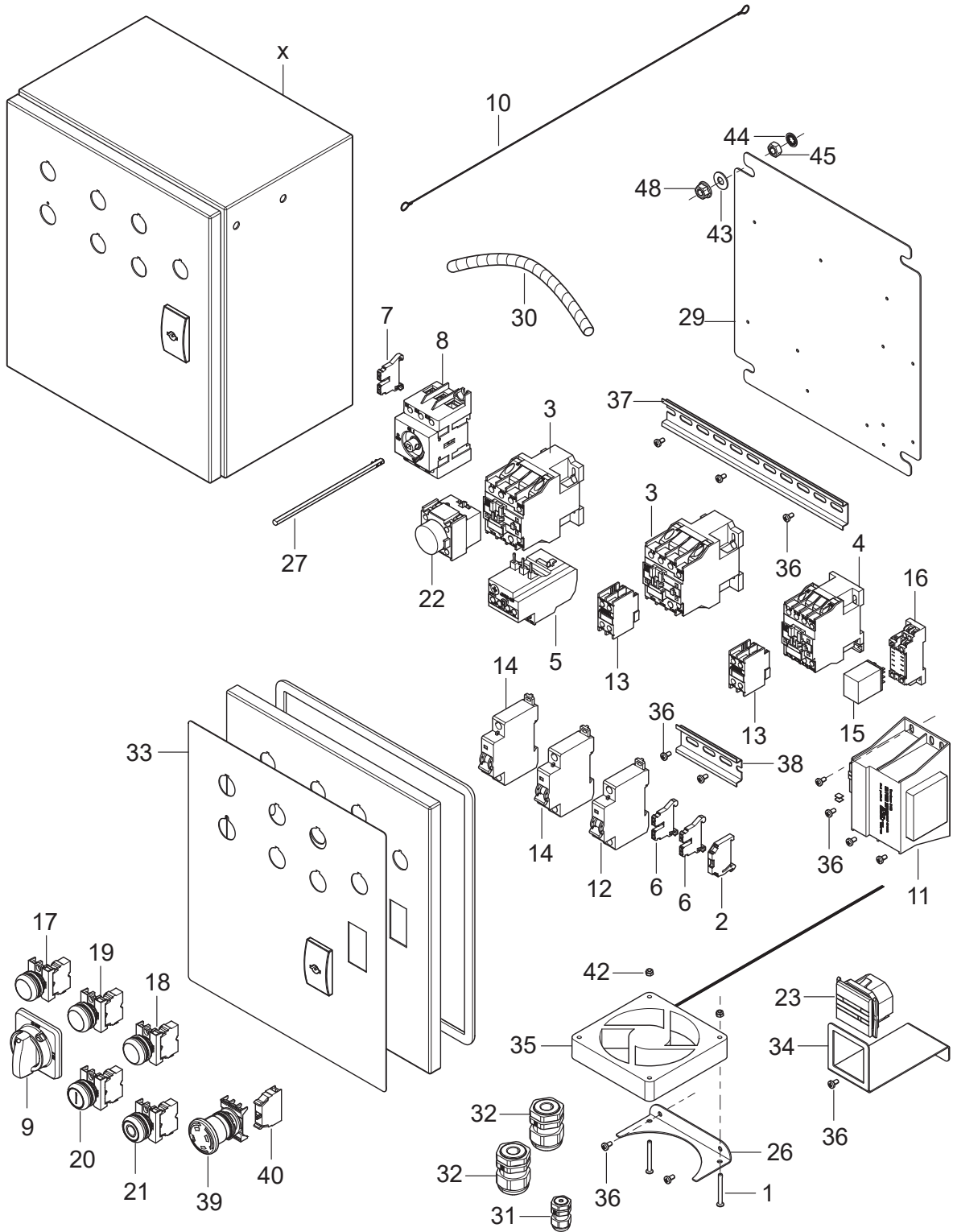


| Pos. | Artikel-Nr. | Menge | Variante | Notes |
|------|-------------|-------|--|-------|
| 1 | 107148097 | 1 | MOTOR Y2-160L-4 18KW 50/60Hz | |
| 2 | 106408369 | 1 | CONNECTION BOX MC9P | |
| 3 | 106408370 | 1 | D-BEARING COVER MC9P | |
| 4 | 106408371 | 1 | N-BEARING COVER MC9P | |
| 5 | 106408372 | 1 | FAN AND COVER MC9P | |
| 6 | 107148095 | 4 | SCREW M12X45 DIN EN24017/DIN933-8.8 | |
| 7 | 107148094 | 4 | WASHER Ø13X25X3 MM DIN1441 A2K ZINC PLAT | |
| 8 | 107141727 | 4 | Beilagscheibe D13 | |
| 9 | 107148129 | 4 | LOCK NUT M12 ZN | |
| 10 | 107148144 | 1 | GASKET PUMP M2 | |

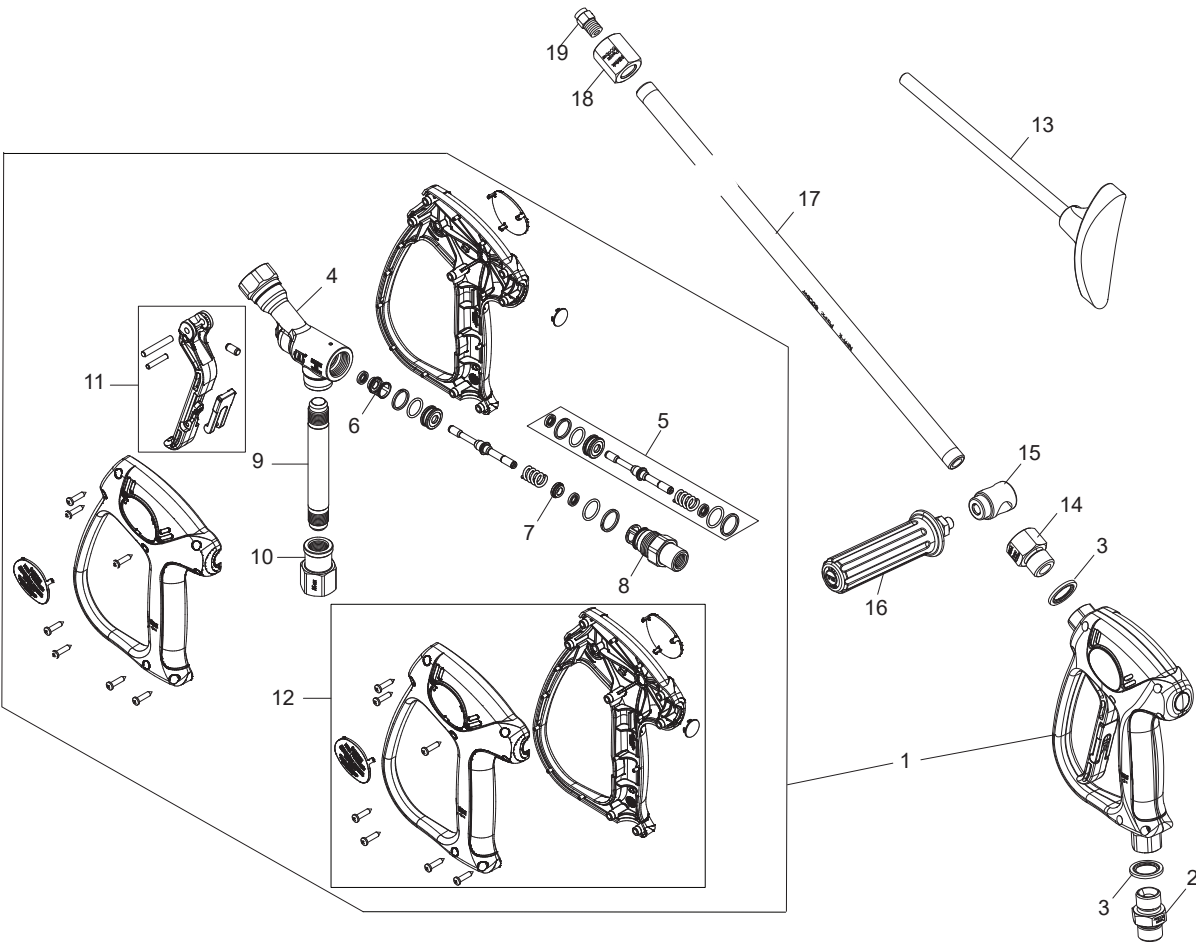


MC9 500 - MC10 500

| Pos. | Artikel-Nr. | Menge | Variante | Notes |
|------|-------------|-------|-------------------------------------|-------|
| 1 | | 1 | SAFETY VALVE 720BAR BODY | |
| 2 | | 1 | BACKUP RING 12.8x15.9x1.8 | |
| 3 | | 1 | O-RING 1.78x12.42 | |
| 4 | | 1 | SEAT | |
| 5 | | 1 | O-RING1.78x15.6 | |
| 6 | | 1 | BACKUP RING15.9x19.0x2 | |
| 7 | | 1 | BUSHING PISTON | |
| 8 | | 1 | PISTON VALVE | |
| 9 | | 1 | O-RING 2.62x11.91 | |
| 10 | | 1 | BACKUP RING 12.0x16.8x2 | |
| 11 | | 1 | PISTON GUIDE | |
| 12 | | 1 | O-RING 1.78x31.47 | |
| 13 | | 1 | SPRING GUIDE | |
| 14 | | 1 | SAFETY VALVE 720BAR SPRING RED | |
| 15 | | 1 | SPRING TENSIONAL | |
| 17 | | 1 | LOCK NUT M22 | |
| 16 | | 1 | SPRING HOLDER | |
| 18 | | 1 | RETAINER RING | |
| 19 | 700540961 | 1 | REPAIR KIT SAFETY VALVE 720BAR | |
| 20 | 101609359 | 1 | Schlauchnippel | |
| 21 | 107148048 | 1 | HOSE 5/8C WP 20 BAR W/NETING | |
| 22 | 107148146 | 1 | HOSE CLIP 5/8C S.S. | |
| 24 | 107148049 | 1 | PRESSURE GAUGE MWP 500 BAR | |
| 23 | 107148045 | 1 | ADAPTOR 3/8" BSPT M-M - 1/4" BSPT F | |
| 25 | 107148150 | 1 | SAFETY VALVE ASSEMBLY 720BAR | |



| Pos. | Artikel-Nr. | Menge | Variante | Notes |
|------|--------------|-------|---|-------|
| 1 | 107318083 | 2 | SCREW M4X35 DIN965-A 4X | |
| 2 | 103821922 | 1 | Abschlussplatte | |
| 3 | 107148154 | 2 | CONTACTOR CJX2-D32 24V 690V (3P+NO) | |
| 4 | 107148155 | 1 | CONTACTOR CJX2-D12 24V 690V (3P+NO) | |
| 5 | 103822328 | 1 | Thermorelais 17-25A | |
| 6 | 107148063 | 2 | TERMINAL BLOCK WAGO:870-901 1,5MM2 | |
| 7 | 107148064 | 1 | TERMINAL BLOCK PE WAGO:870-907 1,5MM2 | |
| 8 | 107307446 | 1 | MAIN SWITCH 125A 3-POLET | |
| 9 | 107307406 | 1 | HANDLE PADLOCKABLE | |
| 10 | 107148083 | 1 | STEEL WIRE FOR E-BOX COVER | |
| 11 | 107148065 | 1 | CONTROLTRANSFORMER 230/400/440-24V 100V | |
| 12 | 107148066 | 1 | CIRCUIT BREAKER DZ50-63 1P C5 Amp | |
| 13 | 107148067 | 2 | AUXILIARY CONTACT NO/NC CJX2 F4-11 | |
| 14 | 107148068 | 2 | CIRCUIT BREAKER DZ50-63 1P C2 AMP | |
| 15 | 107148069 | 1 | RELAY 24VAC MY2 | |
| 16 | 107148070 | 1 | RELAY SOCKET PYF08A-E (MY2) | |
| 17 | 101118334 | 1 | SIGNAL LIGHT WHITE KIT | |
| 18 | 101118335 | 1 | SIGNAL LIGHT YELLOW KIT | |
| 19 | 101118336 | 1 | SIGNAL LIGHT GREEN KIT | |
| 20 | 101118337 | 1 | PUSHBUTTON NO GREEN KIT | |
| 21 | 101118338 | 1 | PUSHBUTTON NC RED KIT | |
| 22 | 107148071 | 1 | TIMERDELAY LA2-DT2 | |
| 23 | 107148072 | 1 | HOUR COUNTER 10-80V AC/DC 50Hz | |
| 23 | 107148073 | 1 | HOUR COUNTER 10-80V AC/DC 60Hz | |
| 26 | 107148074 | 1 | BRACKET FOR FAN | |
| 27 | 107148075 | 1 | EXTENSION SHAFT FOR MAIN SWITCH | |
| 29 | 107148076 | 1 | EL. MOUNTING PLATE MC-9 | |
| 30 | 107148077 | 1 | SPIRAL WRAPPING D8mm PE NATURAL | |
| 31 | 107148078 | 1 | CABLE GLAND PG9 | |
| 32 | 107148079 | 2 | CABLE GLAND PG21 | |
| 33 | 107148080 | 1 | LABEL FOR MC-9 NILFISK | |
| 34 | 107148081 | 1 | BRACKET FOR HOUR COUNTER - TALL | |
| 35 | 107307410 | 1 | BOARD FAN | |
| 36 | 107148082 | 13 | TAP TITE M4X8 DIN 7985 FZB TORX | |
| 37 | | 1 | DIN rail L=270 | |
| 38 | | 1 | DIN rail L=125 | |
| 39 | 1466683000 | 1 | Sicherheitsschalter | |
| 40 | 146 1728 000 | 1 | Kontakt | |
| 42 | 1800127 | 2 | Gegenmutter | |
| 43 | 1800796 | 4 | Scheibe 8,4 | |
| 44 | 1810274 | 2 | Fächerscheibe 8,2 -J- DIN 6798 VA | |
| 45 | 2758 | 2 | Sechskantmutter M8 DIN 934 zn | |
| 47 | 3817558 | 1 | TERM. STRIP EARTH WKN35 SL/U | |
| 48 | 61467 | 4 | Sechskantmutter M8 TENS | |




| Pos. | Artikel-Nr. | Menge | Variante | Notes |
|------|-------------|-------|--|-------|
| 1 | 106404653 | 1 | VHP SPRAYGUN 500BAR 1/2BSPP-M"-1/2 F ACC | |
| 2 | 107148044 | 1 | NIPPLE HOSE 60° 1/2" - 1/2" BSPP-M | |
| 3 | 107148145 | 1 | DOWTY SEAL 1/2C 80SH | |
| 13 | 106404580 | 1 | SHOULDER REST VHP SPRAY GUN 500BAR ACC | [1] |
| 14 | 107148109 | 1 | ADAPTOR 1/2C BSPP M - 3/8C BSP | |
| 15 | 700550107 | 1 | FRAME FOR HANDLE BRASS | |
| 16 | 107148153 | 1 | SIDE HANDLE | |
| 17 | 107148111 | 1 | LANCE PIPE 500 BAR | |
| 18 | 107148110 | 1 | FITTING FOR NOZZLE 3/8C BSPP-F | |
| 19 | 700550389 | 1 | NOZZLE 1503 1/4C BSPT S.S. | [2] |
| 19 | 700550051 | 1 | NOZZLE 0003 1/4 BSPT S.S. | [2] |
| 19 | 700550057 | 1 | NOZZLE 15055 1/4C BSPT S.S. | [1] |
| 19 | 700550053 | 1 | NOZZLE 0005 1/4C BSPT S.S. | [1] |
| | 106404654 | 1 | STRAHLROHR 500 BAR 3/8" BSPF | |

Part Notes:


- [1] - MC10 500
[2] - MC9 500

MC 9P-350
Rotating nozzle (max pressure 350bar)




1A 1

MC 9P-500, MC 10P-500
Rotating nozzle (max pressure 500bar)



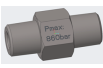
2A 2

MC 10P-800
Rotating nozzle (max pressure 800bar)




3A 3

Nozzle adapter 1/4 - 1/4 BSPT-M



4

MC 10P-1100
Rotating nozzle (max pressure 1100 bar)




5 5A

Nozzle adapter 9-16 MP




6

Jet nozzle BSPT (0° - 1/4")




7

Jet nozzle BSPT (15° - 1/4")




8

Jet nozzle BSPT (25° - 1/4")



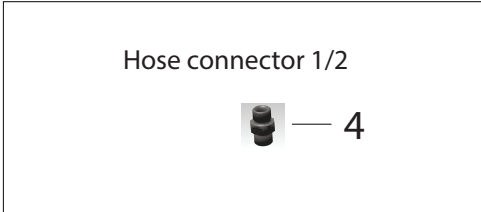
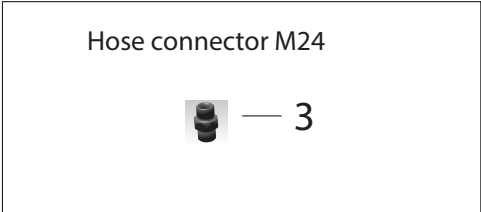
9

Jet nozzle NPT (0° - 1/4")



10

| Pos. | Artikel-Nr. | Menge | Variante | Notes |
|------|-------------|-------|--|-------|
| 1 | 700551119 | 1 | ROTIERENDE DÜSE 0005 1/4" BSPP 350 BAR | |
| 1 | 700551503 | 1 | ROTATING NOZZLE 00045 1/4 BSPP F 350BAR | |
| 1A | | 1 | | |
| 2 | 106403215 | 1 | ROTIERENDE DÜSE 030 G1/4 500 BAR | |
| 2 | 106403216 | 1 | ROTATING NOZZLE 055 G1/4F 500BAR ACCES. | |
| 2 | 106403217 | 1 | ROTATING NOZZLE 050 G1/4F 500BAR ACCES. | |
| 2A | | 1 | | |
| 3 | 106403218 | 1 | ROTATING NOZZLE 030 G1/4F 580BAR ACCES. | |
| 3 | 106403219 | 1 | ROTATING NOZZLE 035 G1/4F 600BAR ACCES. | |
| 3A | | 1 | | |
| 4 | 106403213 | 1 | DÜSENADAPTER 1/4" 1/4" BSPT M | |
| 5 | 106403220 | 1 | ROTATING NOZZLE 020 G1/4F 1010BAR ACCES. | |
| 5 | 106403221 | 1 | ROTATING NOZZLE 025 G1/4F 700BAR ACCES. | |
| 5A | | 1 | | |
| 6 | 106403214 | 1 | NOZZLE ADAPTER 9-16 MP ACCESSORY | |
| 7 | 700550387 | 1 | NOZZLE 0002 1/4" BSPT S.S.L48 | |
| 7 | 700550831 | 1 | NOZZLE 00025 1/4C BSPT HARDENE | |
| 7 | 700550051 | 1 | NOZZLE 0003 1/4 BSPT S.S. | |
| 7 | 700550834 | 1 | NOZZLE 00035 1/4" BSPT S.S. | |
| 7 | 700550052 | 1 | NOZZLE 0004 1/4" BSPT S.S. | |
| 7 | 700550019 | 1 | NOZZLE 00045 1/4C BSPT S.S. | |
| 7 | 700550053 | 1 | NOZZLE 0005 1/4C BSPT S.S. | |
| 7 | 700550054 | 1 | NOZZLE 00055 1/4C BSPT S.S. | |
| 7 | 700550055 | 1 | NOZZLE 0006 1/4" BSPT S.S. | |
| 7 | 700551299 | 1 | NOZZLE 00065 1/4" BSPT S.S. | |
| 7 | 700550093 | 1 | NOZZLE 0007 1/4" BSPT S.S. | |
| 7 | 700550142 | 1 | NOZZLE 00075 1/4" BSPT S.S. | |
| 7 | 700550094 | 1 | NOZZLE 0008 1/4" BSPT S.S. | |
| 7 | 700550143 | 1 | NOZZLE 0009 1/4" BSPT S.S. | |
| 7 | 700550147 | 1 | NOZZLE 0010 1/4" BSPT S.S. | |
| 7 | 700550148 | 1 | NOZZLE 0011 1/4" BSPT S.S. | |
| 8 | 700550388 | 1 | NOZZLE 1502 1/4" BSPT S.S. | |
| 8 | 700550952 | 1 | NOZZLE 15025 1/4C BSPT S.S. | |
| 8 | 700550389 | 1 | NOZZLE 1503 1/4C BSPT S.S. | |
| 8 | 700550619 | 1 | NOZZLE 15035 1/4" BSPT S.S. | |
| 8 | 700550075 | 1 | NOZZLE 1504 1/4C BSPT S.S. | |
| 8 | 700550015 | 1 | NOZZLE 15045 1/4C BSPT S.S. | |
| 8 | 700550056 | 1 | NOZZLE 1505 1/4C BSPT S.S. | |
| 8 | 700550057 | 1 | NOZZLE 15055 1/4C BSPT S.S. | |
| 8 | 700550058 | 1 | NOZZLE 1506 1/4" BSPT S.S. | |
| 8 | 700550835 | 1 | NOZZLE 15065 1/4" BSPT S.S. | |
| 8 | 700550095 | 1 | NOZZLE 1507 1/4" BSPT S.S. | |
| 8 | 700550144 | 1 | NOZZLE 15075 1/4" BSPT S.S. | |
| 8 | 700550096 | 1 | NOZZLE 1508 1/4" BSPT S.S. | |
| 8 | 700550145 | 1 | NOZZLE 1509 1/4" BSPT S.S. | |
| 8 | 700550149 | 1 | NOZZLE 1510 1/4" BSPT S.S. | |
| 8 | 700550150 | 1 | NOZZLE 1511 1/4" BSPT S.S. | |
| 9 | 700550390 | 1 | NOZZLE 2504 1/4" BSPT S.S. | |
| 9 | 700550391 | 1 | NOZZLE 25045 1/4" BSPT S.S. | |
| 9 | 700550567 | 1 | NOZZLE 2505 1/4" BSPT S.S. | |
| 9 | 700550158 | 1 | NOZZLE 25055 1/4" BSPT S.S. | |
| 10 | 106404656 | 1 | NOZZLE 0002 1/4" NPT | |



| Pos. | Artikel-Nr. | Menge | Variante | Notes |
|------|-------------|-------|---|-------|
| 1 | 106404655 | 1 | VHP HOSE 1/2 DN12 1100BAR M24-F 20M ACC | |
| 2 | 700550097 | 1 | SCHLAUCH 500 BAR 15M | |
| 2 | 700550098 | 1 | SCHLAUCH 500 BAR 20M | |
| 2 | 700550099 | 1 | VHP HOSE 500BAR 30M ACCESSORY | |
| 2 | 700550904 | 1 | VHP HOSE 500BAR 50M ACCESSORY | |
| 3 | 106403212 | 1 | HOSE CONNECTOR M24 ACCESSORY | |
| 4 | 106404745 | 1 | SCHLAUCHANSCHLUSS 1/2" | |


TST Jacket



| Size | |
|---------|----|
| S/M | 1A |
| L/XL | 1B |
| 2XL/3XL | 1C |

1

TST Trousers



| Size | |
|---------|----|
| S/M | 2A |
| L/XL | 2B |
| 2XL/3XL | 2C |

2



10

Hose protect



Hose Protection


3

S. Gear apron 2000bar



4

Safety balaclava




5

Safety helmet



6

Safety goggles



7

Hand protection



8

Gaiters 2000bar



9

| Pos. | Artikel-Nr. | Menge | Variante | Notes |
|------|-------------|-------|--|-------|
| 1 | | | TST Jacket w/hand prot. 2000Bar | |
| 1A | 106404561 | 1 | TST JACKET W/ HAND PROT. 2000BAR S/M | |
| 1B | 106404562 | 1 | TST JACKE MIT HANDSCHUTZ 2000 BAR L/XL | |
| 1C | 106404563 | 1 | TST JACKE MIT HANDSCHUTZ 2000 BAR 2XL/3X | |
| 2 | | | TST Trousers 2000Bar | |
| 2A | 106404564 | 1 | TST TROUSERS 2000BAR S/M | |
| 2B | 106404565 | 1 | TST HOSE 2000 BAR L/XL | |
| 2C | 106404566 | 1 | TST HOSE 2000 BAR 2XL/3XL | |
| 3 | 700799107 | 1 | PSA SICHERHEITSSCHLAUCH Ø 36X1400MM | |
| 3 | 700799097 | 1 | PSA SICHERHEITSSCHLAUCH Ø 36X750MM | |
| 4 | 700799071 | 1 | VHP PPE S.GEAR APRON STANDARD 2000BAR | |
| 5 | 700799082 | 1 | VHP PPE SAFETY BALACLAVA | |
| 6 | 700799091 | 1 | PSA SICHERHEITSCHELM MIT GEHÖRSCHUTZ UND | |
| 7 | 700799093 | 1 | VHP PPE SAFETY GOGGLES | |
| 8 | 106404736 | 1 | VHP PPE HAND PROTECTION SET 2000BAR | |
| 9 | 700799024 | 1 | VHP PPE GAITERS 2000 BAR | |
| 10 | 101221057 | 1 | SERVICE TOOL MC9 CK/NIL-K.2 | |
| 10 | 101221058 | 1 | SERVICE TOOL MC9-10 NIL-H/CH NIL-A | |
| 10 | 101221059 | 1 | SERVICE TOOL MC10 NIL-Y/VY | |

