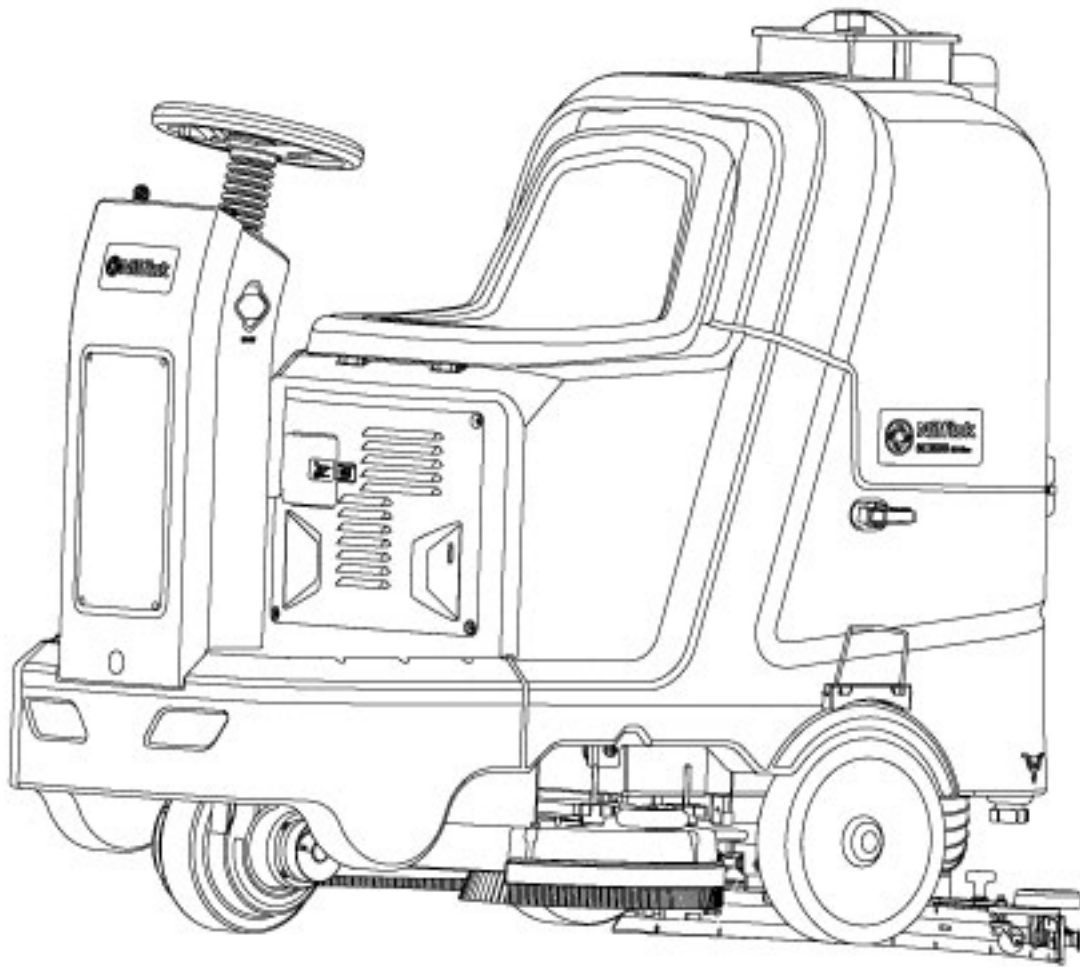


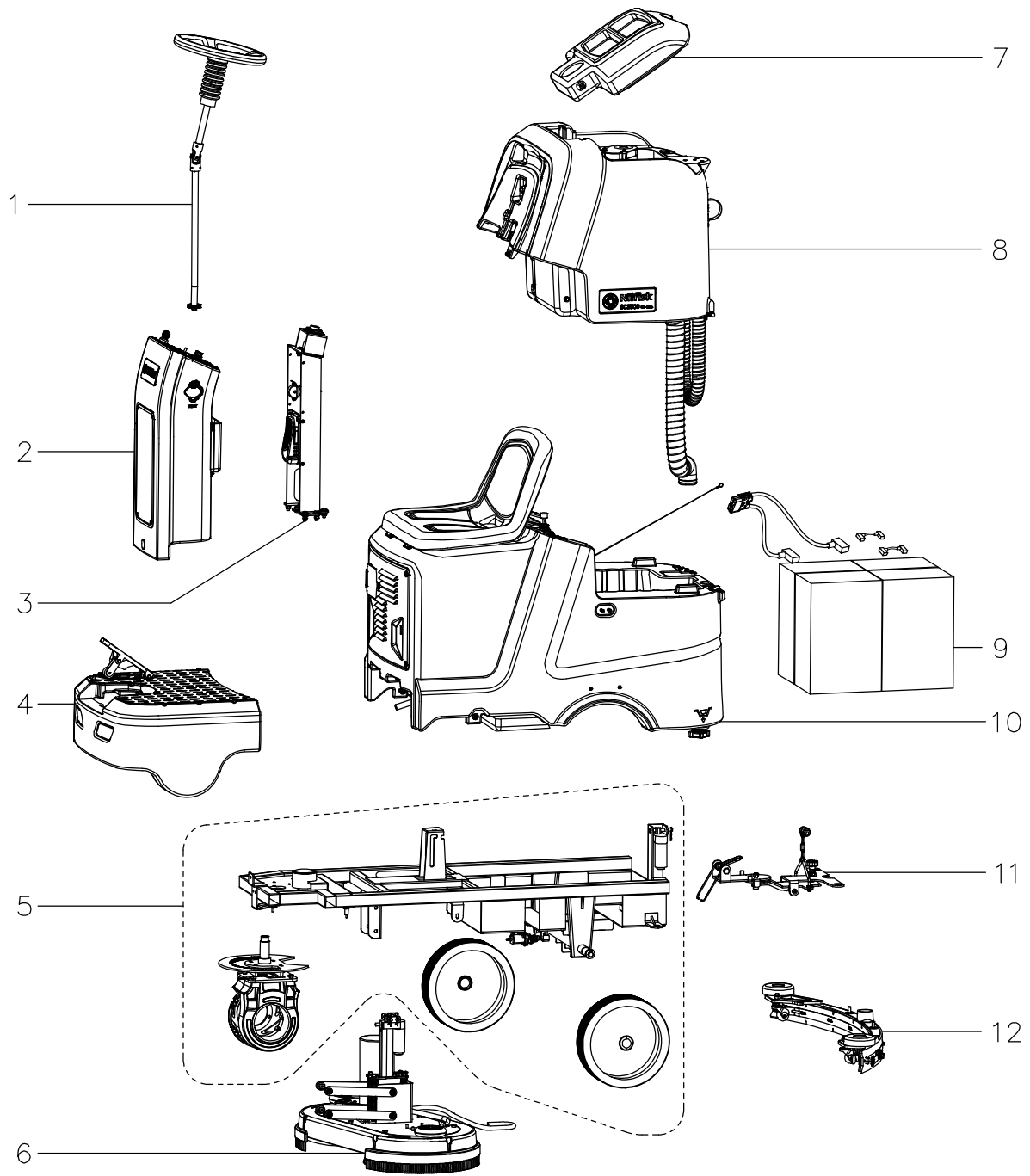
PARTS LIST



2020.01.29

TABLE OF CONTENTS

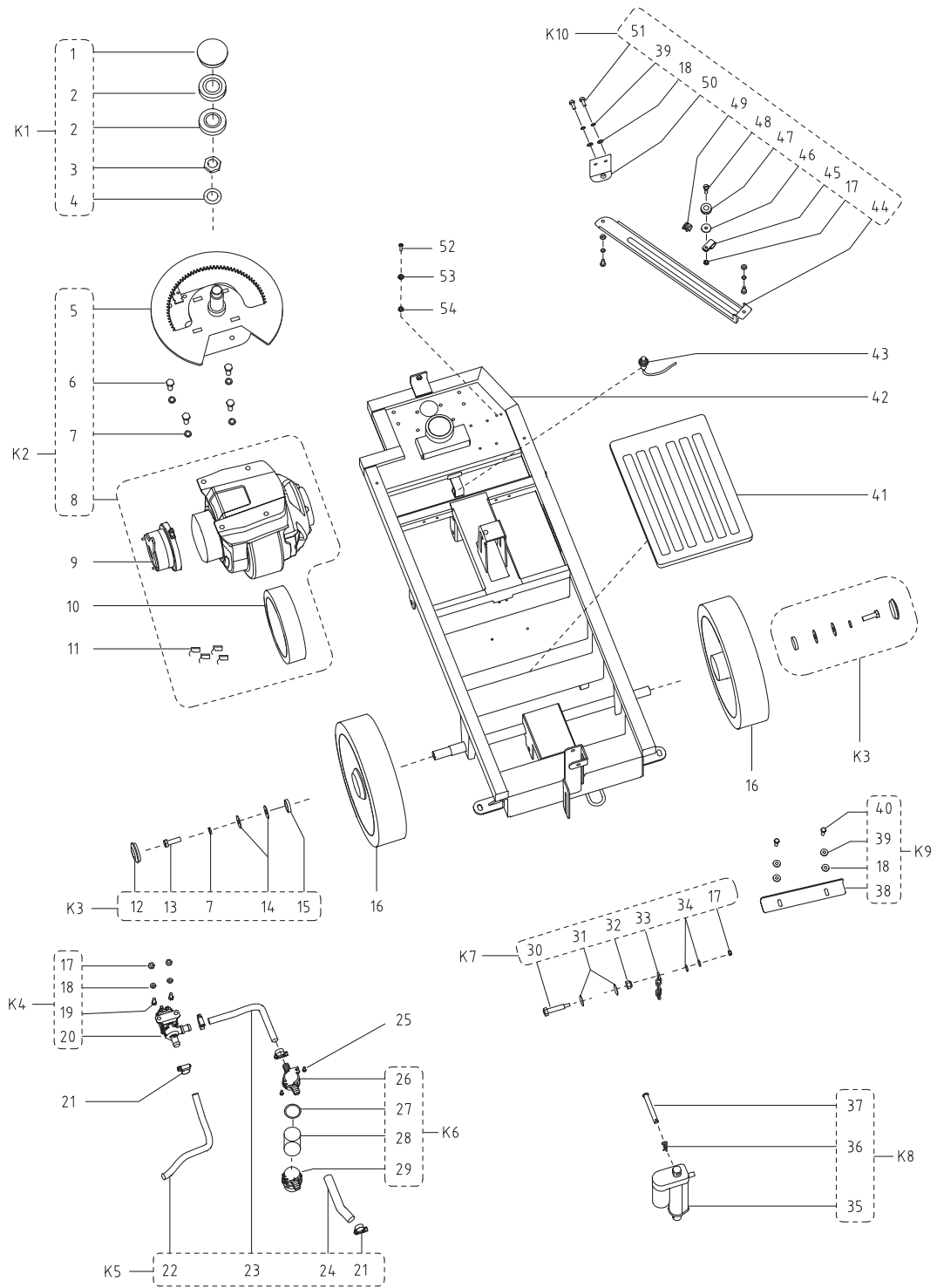
Overview	1
Chassis	3
Direction control	6
Front main frame	8
Control housing	10
Brush	12
Solution assembly	15
Electric parts	18
Pedal box	20
Detergent solution	22
Recovery tank lid	24
Recovery tank	26
Squeegee bracket	29
Squeegee	31
Electric wires	33
Electric wires 2	35
Main connecting wire VR37013	37
Wiring diagram	39
RECOMMENDED REPLACEMENT PARTS INVENTORY LIST	41



Pos.	Artikel-Nr.	Menge	Variante	Notes
1		1	DIRECTION CONTROL	[1]
2		1	CONTROL HOUSING	[2]
3		1	FRONT MAIN FRAME	[3]
4		1	PEDAL BOX	[4]
5		1	CHASSIS	[5]
6		1	BRUSH	[6]
7		1	RECOVERY TANK LID	[7]
8		1	RECOVERY TANK	[8]
9		4	BATTERIES	
10		1	SOLUTION TANK	[9]
11		1	SQUEEGEE BRACKET	[10]
12		1	SQUEEGEE	[11]

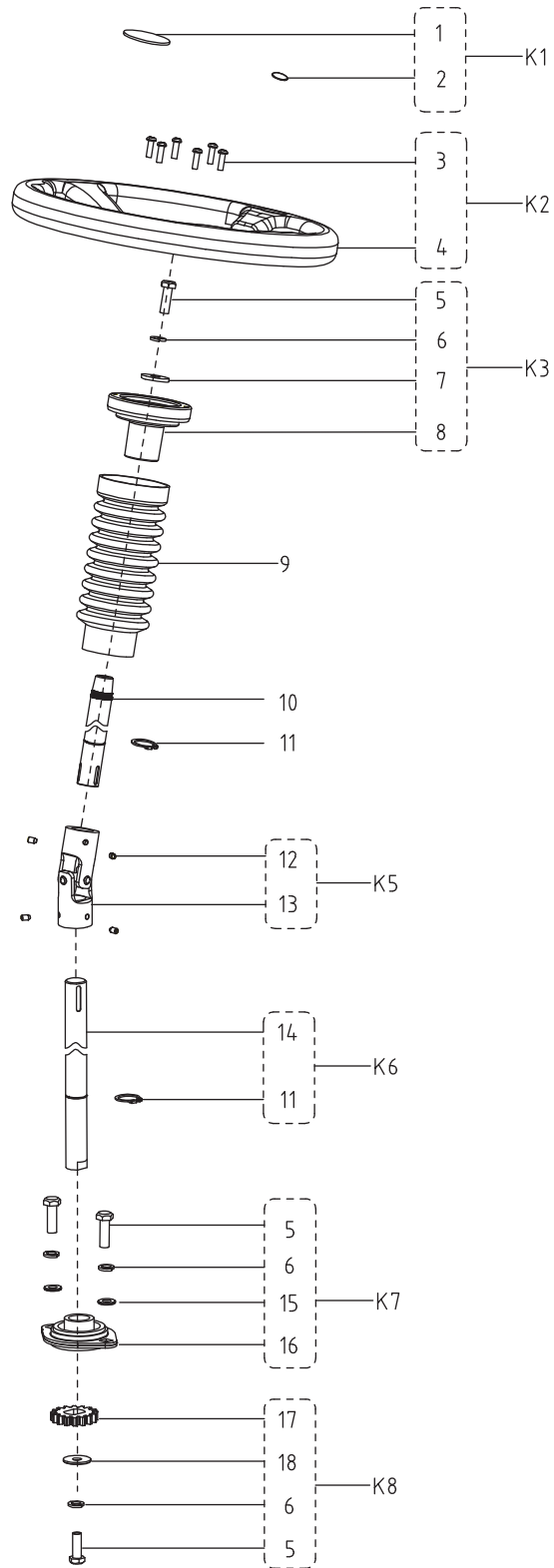
Part Notes:

- [1] - Direction control
- [2] - Control housing
- [3] - Front main frame
- [4] - Pedal box
- [5] - Chassis
- [6] - Brush
- [7] - Recovery tank lid
- [8] - Recovery tank
- [9] - Solution assembly
- [10] - Squeegee bracket
- [11] - Squeegee

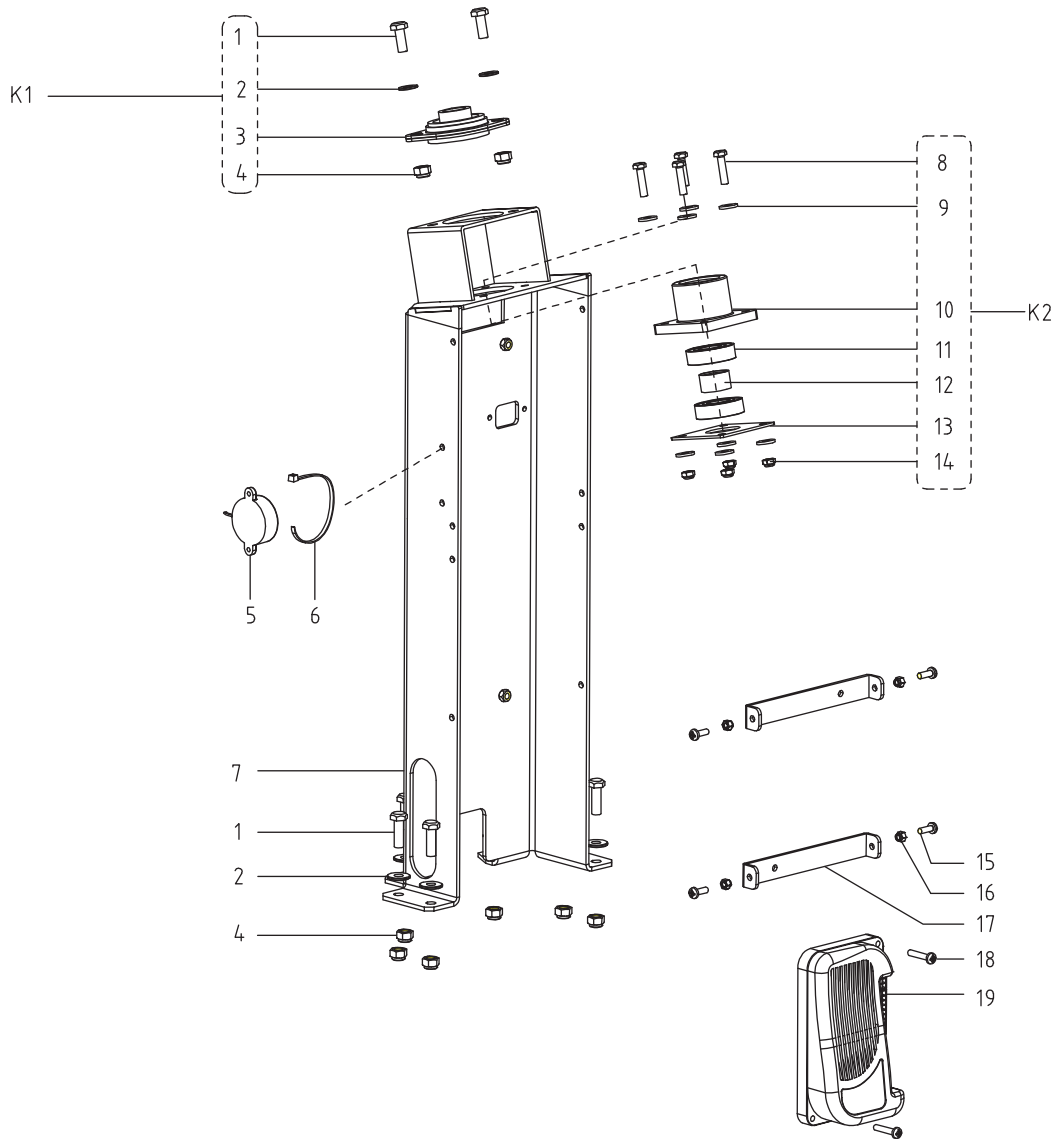


Pos.	Artikel-Nr.	Menge	Variante	Notes
1		1	PRECURSOR COVER	
2		2	BEARING	
3		1	THIN NUT	
4		1	WASHER 24	
5	VR11202	1	FIXING PLATE FOR DRIVE MOTOR AS710R	
6		4	SCREW	
7		6	SPRING WASHER	
8	VR37000	1	KIT FRONT DRIVE WHEEL	
9	VR11205	1	BREMSE FÜR ANTRIEBSMOTOR AS710R	
10	VR11208	1	KUNSTSTOFFRAD FÜR AS710R 90MM	
11	VF89116	4	KOHLEBÜRSTEN-SET	
12		2	WHEEL COVER	
13		2	SCREW M10*32	
14		4	WASHER	
15		2	SLEEVE	
16		2	REAR WHEEL	
17		4	LOCKED NUT	
18		8	WASHER	
19		2	SCREW M6X16	
20	VR11600	1	Magnetventil für AS710R	
21		4	CLAMP 2"	
22	VR35048	1	PIPE	
23		1	PIPE, PVC ID11*16mm	
24		1	PIPE, PVC ID11*16mm	
26		1	FILTER COVER	
27		1	O-RING	
28	VF90608	1	FILTER NET	
29		1	FILTER BASE	
30	VR36023	1	SCREW 9.8 X 6 X M6 X 55	
31		2	WASHER	
32		1	NUT LOCK M10	
33	VR36029	1	SQUEEGEE LIFT CHAIN	
34		2	WASHER	
35		1	SQUEEGEE LIFT	
36	VS13518	1	CONNECTING PIN	
37	VR35008	1	TOP CONNECTING PIN	
38		1	BATTERY BRACKET	
39		6	SPRING WASHER	
40		2	SCREW M6*20	
41	VR10048	1	BATTERIEHALTERUNG	
42	VR33001	1	CHASSIS ASSEMBLY	
43	VR13435	1	SENSOR SWITCH	
44	VR31029	1	SLIDING PLATE	
45		1	CABLE SLEEVE	
46	VR31031	1	WASHER	
47	VR31032	1	GUIDING SLEEVE	
48	VR31030	1	STEPPED SCREW	
49		1	CABLE SLEEVE	
50	VR31033	1	SUPPORT PLATE	
51		4	SCREW M6*16	
52	VA13474	1	Schraube M5x16	
53	VF13528	1	Zahnscheibe M6	
54	VF14514	1	NUT LOCK M5	
K1	VR11501	1	KIT DRIVE MOTOR BEARING	
K2	VR31061	1	KIT DRIVE MOTOR WHEEL	
K3	VR31066	2	KIT FIXED REAL WHEEL	
K4	VR33003	1	KIT SOLENOID VALVE	
K5	VR33005	1	KIT PIPE	
K6	VF90621	1	FILTER KIT	

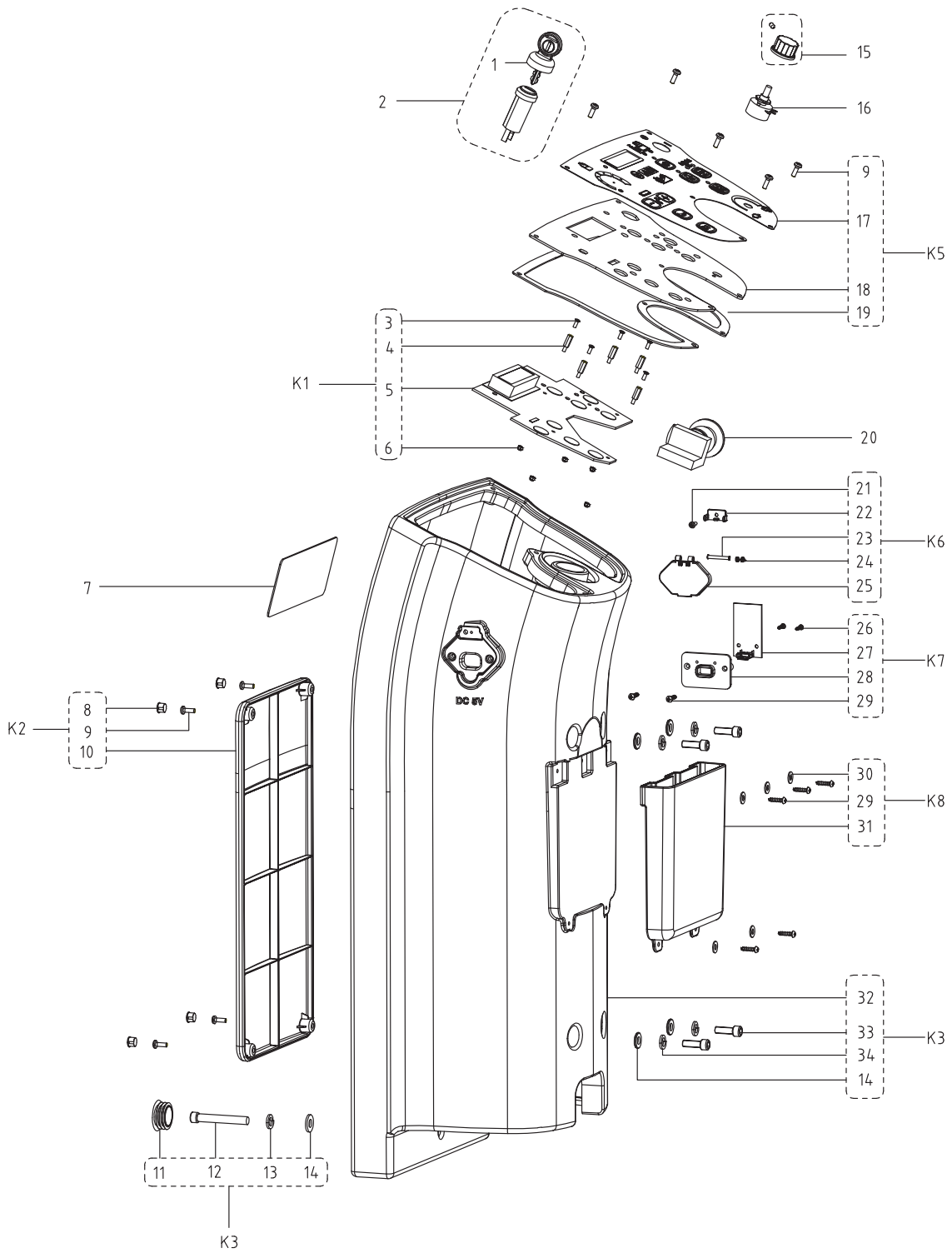
Pos.	Artikel-Nr.	Menge	Variante	Notes
K7	VR33008	1	KIT SQUEEGEE LIFT CHAIN	
K8	VR33007	1	KIT SAUGLEISTE	
K9	VR11502	1	KIT BATTERY BRACKET	
K10	VR33009	1	KIT SLIDING PLATE	



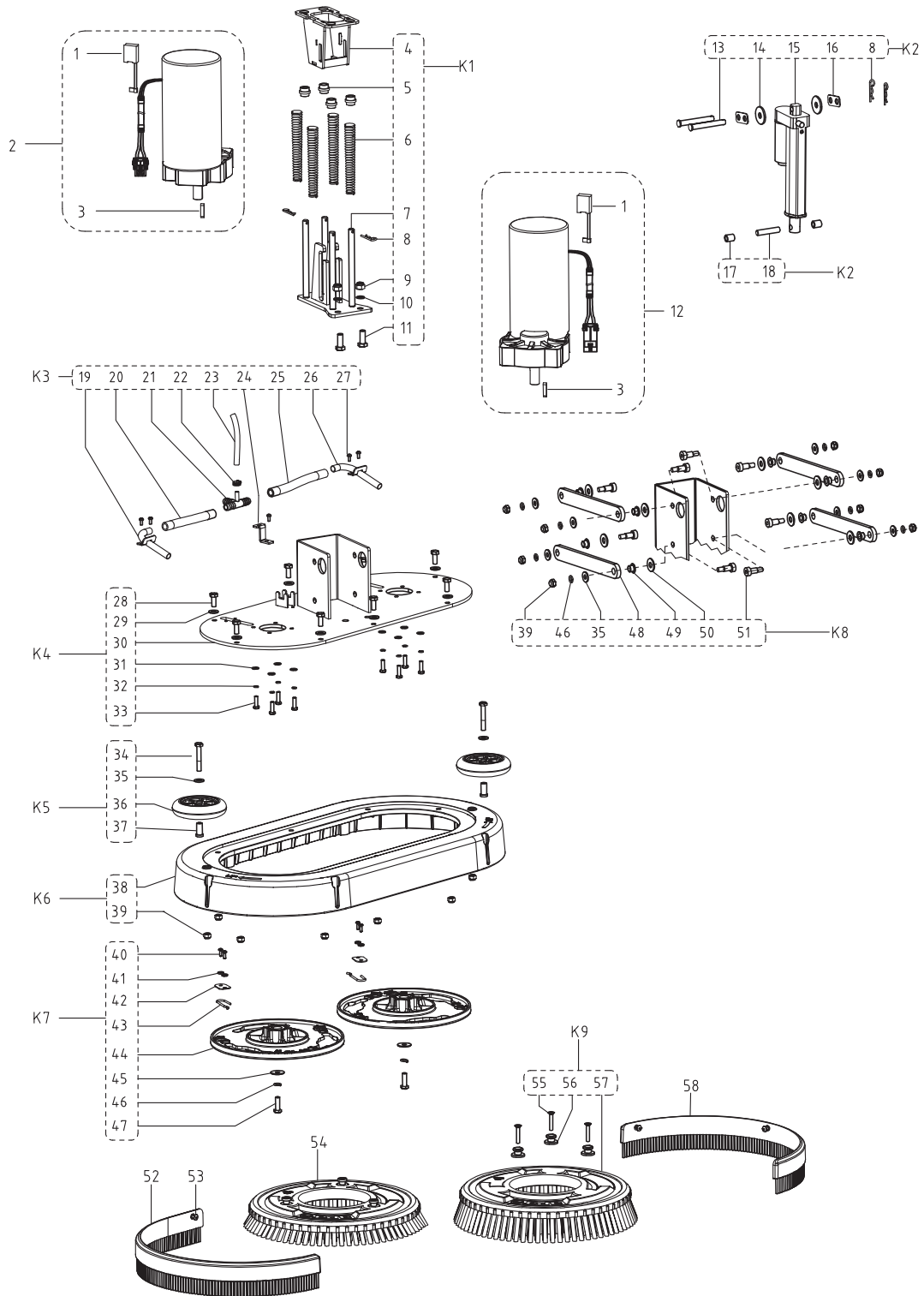
Pos.	Artikel-Nr.	Menge	Variante	Notes
1		1	STEERING WHEEL ROUND LOGO	
2		1	STEERING WHEEL OVAL LOGO	
3		6	BLACK SCREW M5*16	
4		1	STEERING WHEEL	
5		4	SCREW M8*25	
6		4	ELASTIC GASKET Φ 8	
7		1	GASKET Φ 8.4* Φ 26.3	
8	VR10034	1	LOCK CONE BLOCK	
9	VR34014	1	STEERING WHEEL AXIS SHEATH	
10	VR34007	1	ABOVE SHAFT	
11	VR11308	2	RETAINING RING	
12		6	SCREW M5*8	
13		1	UNIVERSAL JOINT	
14		1	UNDER SHAFT	
15		2	GASKET Φ 8	
16		1	BRARING	
17	VR11302	1	PINION	
18		1	GASKET Φ 8.4*26*2	
K1	VR34040	1	KIT STEERING WHEEL LOGO	
K2	VR34041	1	KIT STEERING WHEEL	
K3	VR10039	1	RUBBER SLEEVE STEERING WHEEL	
K5	VR10040	1	KIT UNIVERSAL JOINT	
K6	VR34043	1	KIT DOWN SHAFT STEERING WHEEL	
K7	VR34044	1	KIT BEARING WITH BRACKET	
K8	VR24086	1	KIT GEAR	



Pos.	Artikel-Nr.	Menge	Variante	Notes
1		8	SCREW M8*25	
2		8	GASKET Φ 8	
3	VR11006	1	BRARING	
4		8	NUT LOCK M8	
5	VR12014	1	BUZZER	
6	RD20652	1	CABLE TIE	
7	VR34006	1	FRONT MAIN FRAME	
8		4	SCREW M6*25	
9		8	GASKET Φ 6	
10		1	FIXED BEARING PLATE	
11	VF14075	2	BEARING 6004 2RS	
12		1	BEARING PAD	
13		1	BEARING PRESSURE PLATE	
14		4	NUT LOCK M6	
15		4	SCREW M5*15	
16		4	NUT LOCK M5	
17	VR12007	2	SPEED CONTROLLER FIXED PLATE	
18		2	SCREW M5*25	
19	VR37046	1	SPEED CONTROLLER	
K1	VR34044	1	KIT BEARING WITH BRACKET	
K2	VR24071	1	KIT BEARING BASE	



Pos.	Artikel-Nr.	Menge	Variante	Notes
1	146 2887 000	1	Schlüssel (2 Stück)	
2	9100001354	1	Schlüsselschalter komplett	
3		5	SCREW M3	
4	VR34015	5	PCB ISOLATION COLUMN	
5		1	MAIN CONTROL PCB	
6		5	LOCKNUT M3	
7	VR34030	1	PILLAR SQUARE LOGO	
8	VR34032	4	RUBBER BLOCK	
9		9	SCREW M4*10	
10		1	CONTROL HOUSING COVER	
11	30010029	4	SEALING PLUG BIG	
12		1	SCREW M3*55	
13		1	ELASTIC GASKET Ø8	
14		5	GASKET Ø8	
15	VF81730	1	POTENTIOMETER KNOB	
16	VR27030	1	POTENTIOMETER COMPONENT	
17		1	PANEL STICKERS	
18		1	PANEL RACK	
19		1	PANEL EVA GASKET	
20	VR13132	1	NOT-AUS-SCHALTER	
21		1	SCREW ST3*8	
22		1	USB BRIDGE	
23		1	SHAFT	
24		1	TORSIONAL SPRING	
25		1	POWER SUPPLY COVER	
26		2	SELF TAPPING SCREW M3 * 11	
27		1	USB PCB	
28		1	USB FIXED PLATE	
29		7	SELF TAPPING SCREW ST4* 15	
30		5	GASKET Ø5.3*Ø12*1	
31		1	MOBILE PHONE BAG	
32		1	CONTROL HOUSING	
33		4	SCREW M6*20	
34		4	ELASTIC GASKET Ø6	
K1	VR34048	1	KIT MAIN CONTROL PCB	
K2	VR34049	1	KIT CONTROL HOUSING COVER	
K3	VR34051	1	KIT CONTROL HOUSING	
K5	VR34047	1	KIT CONTROL PANEL	
K6	VR15200	1	KIT USB COVER	
K7	VR34053	1	KIT USB PCB	
K8	VR34050	1	KIT PHONE STORAGE	

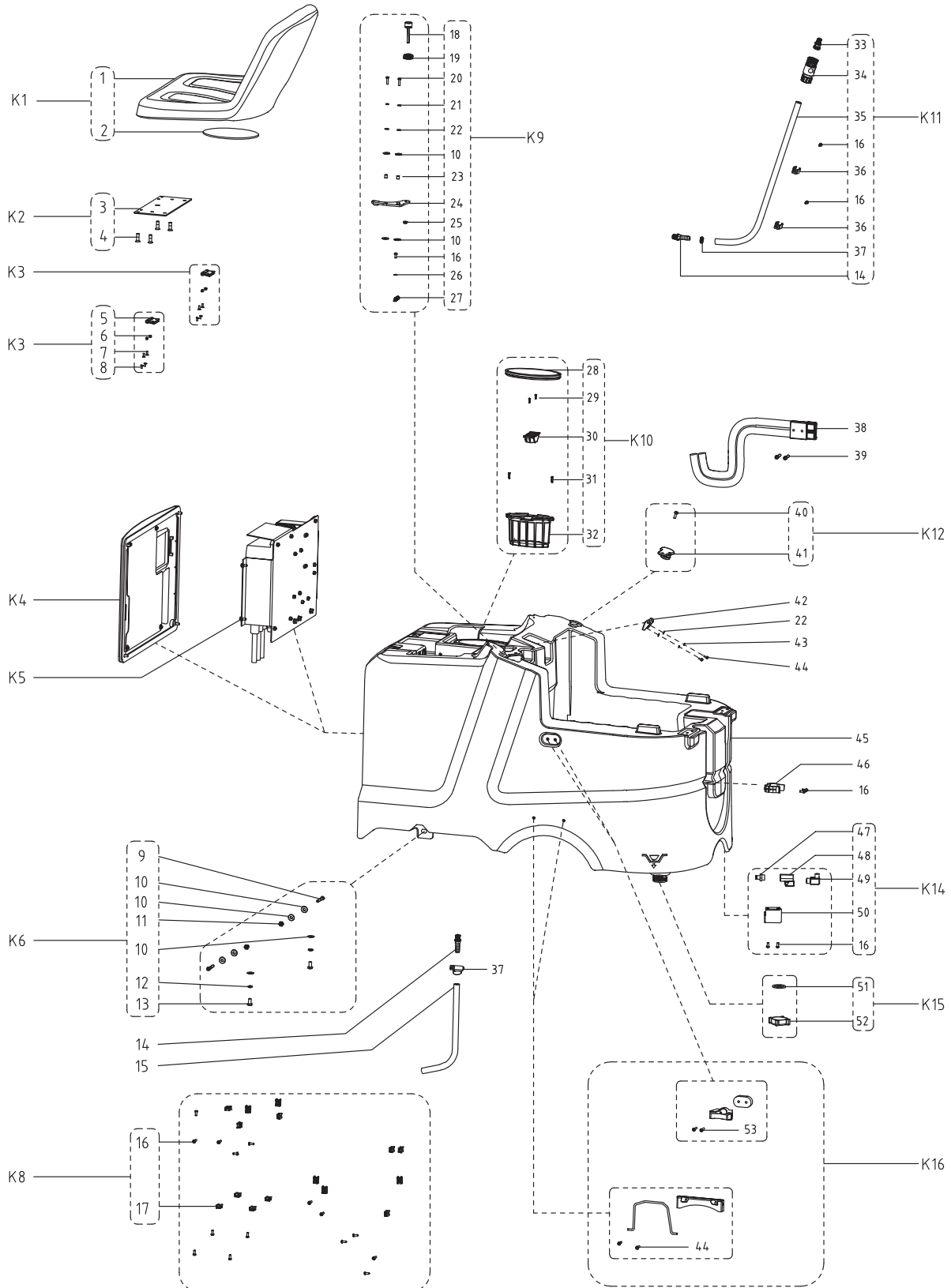


Pos.	Artikel-Nr.	Menge	Variante	Notes
1	VF89116	4	KOHLBÜRSTEN-SET	
2	VR37043	1	KIT MOTOR RIGHT BRUSH	
3	VR14003	2	KEY	
4	VR35035	1	SPRING CLAMP	
5	VR35052	4	NYLON SLEEVE	
6	VR35011	4	COMPRESSION SPRING	
7	VR35031	1	LIFT PLATE	
8		4	COTTER PIN	
9		2	LOCKNUT M10	
10		2	GASKET $\Phi 10.2 \times \Phi 20 \times 1$	
11		2	SCREW M10*25	
12	VR37042	1	KIT MOTOR LEFT BRUSH	
13	VR35008	2	TOP CONNECTING PIN	
14	VA83591	2	RUBBER GASKET	
15		1	BRUSH LINE THRUSTER	
16	VR35049	2	SPACING PIECE	
17	VR35051	2	PROTECTIVE SLEEVE	
18	VR35047	1	PIN	
19		1	WATER PIPE RIGHT	
20	VR35037	1	DRAIN PIPE CONNECTION LEFT	
21	VR17114	1	FOUR-WAY PIPE JOINT	
22	VF46400	1	CLAMP	
23	VR35050	1	SILICONE TUBE	
24	VR35019	1	FOUR-WAY PIPE JOINT CLAMP	
25	VR35038	1	DRAIN PIPE CONNECTION RIGHT	
26		1	WATER PIPE LEFT	
27		5	SCREW M4*10	
28		8	SCREW M8*20	
29		8	GASKET $\Phi 8$	
30	VR35002	1	MOTOR FIXED PLATE	
31		8	GASKET $\Phi 6$	
32		8	ELASTIC GASKET $\Phi 6$	
33		8	SCREW M6*20	
34		2	SCREW M8*50	
35		10	GASKET $\Phi 8$	
36	VS13327	2	4 INCH BUMPER ROLLER	
37		2	SLEEVE	
38		1	BRUSH DECK	
39		18	LOCKNUT M8	
40		4	SELF TAPPING SCREW	
41		4	GASKET $\Phi 5 \times \Phi 11 \times 2$	
42	VR35006	2	SPRING CLAMP	
43	VR35005	2	BRUSH BUCKLE SPRING	
44	VR35004	2	CONNECTION 73269098	
45		2	GASKET $\Phi 8.4 \times \Phi 26 \times 2$	
46		10	ELASTIC GASKET $\Phi 8$	
47		2	SCREW M8*25	
48	VR35001	4	BRUSH LIFT ARM	
49		8	FLANGE SHAFT SLEEVE	
50		8	GASKET $\Phi 10.3 \times \Phi 25 \times 2$	
51		8	SHOULDER SCREW $\Phi 10 \times 26 \times M8$	
52	VR35025	1	RIGHT SKIRT COMPONENT	
53	VS10516	6	STEP SCREW	
54	56505800	2	Padhalter 14"	[1]
55	VR35056	6	COUNTERSUNK SCREWS M6 27	
56	VR35055	6	BRUSH BUCKLE	
57		2	BRUSH FLOCKING	
58	VR35026	1	LEFT SKIRT COMPONENT	
K1	VR35060	1	KIT SPRING CLAMP	

Pos.	Artikel-Nr.	Menge	Variante	Notes
K2	VR35061	1	KIT KOHLENSATZ	
K3	VR35062	1	KIT BRUSH WATER PIPE	
K4	VR35063	1	KIT MOTOR FIXED PLATE	
K5	VR35064	1	KIT BUMPER WHEEL	
K6	VR35065	1	KIT BRUSH DECK	
K7	VR35066	2	KIT CONNECTION PLATE	
K8	VR35067	4	KIT BRUSH LIFT ARM	
K9	56505805	2	Bürste PPN weich Prolite	
K9	56505804	2	Bürste Prolene 14"	[1]

Part Notes:

[1] - OPTIONAL)

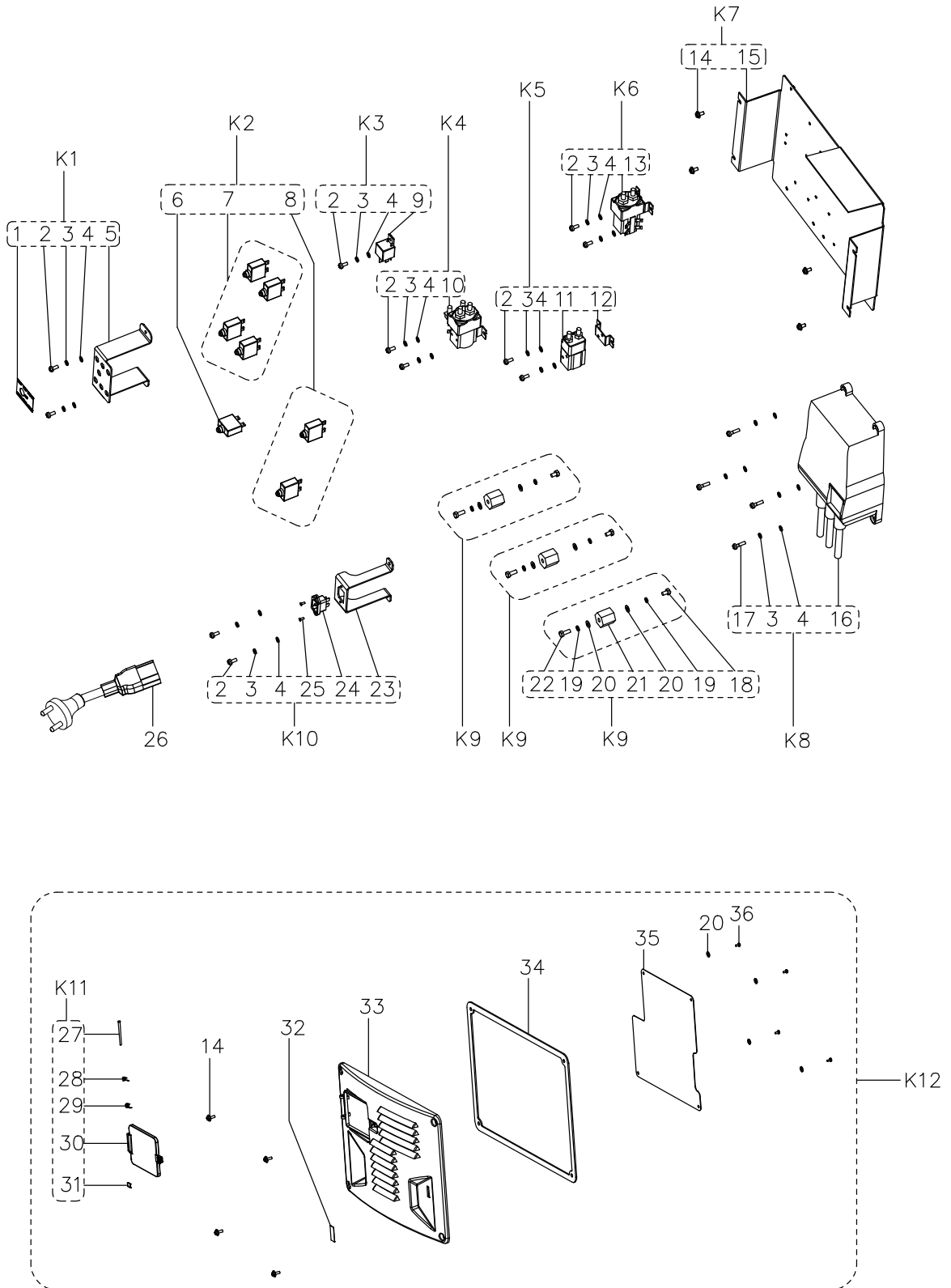


Pos.	Artikel-Nr.	Menge	Variante	Notes
1		1	KIT SEAT WITH SAFETY SWITCH	
2	VR17404	1	SEALPLATE	
3		1	MOUNTING PLATE	
4		4	SCREW M8X25	
5		2	HINGE	
6		4	NUT LOCK M4	
7		4	SCREW M4X12	
8		4	SCREW M4X10	
9		2	SCREW M8X50	
10		10	WASHER $\Phi 8.1 \times \Phi 20 \times 2$	
11		2	NUT LOCK M8	
12		2	SPRING WASHER M8	
13		2	SCREW M8X25	
14	VF85105	2	HOLDER RUBBER 1/4INCH TUBO D.10	
15	VR31022	1	DRAIN-PIPE	
16		22	SCREW M5X12	
17		15	WIRE CLAMP	
18	VP11008	1	ADJUSTABLE SCREW	
19	VP11007	1	ADJUSTABLE NUT	
20		2	SCREW M5X20	
21		2	SPRING WASHER $\Phi 5$	
22		2	WASHER $\Phi 5 \times \Phi 11 \times 2$	
23		2	BUSHING	
24	VR31024	1	TANK LIMIT ROTATING PLATE	
25		1	NUT LOCK M6	
26		1	WASHER $\Phi 5 \times 10 \times 1$	
27	VR31025	1	TENSION SPRING	
28	VR17009	1	SEALING	
29		2	SCREW TA3.5X12	
30	VS10323	1	INLET PIPE FRAME	
31		2	SCREW ST4X15	
32	VS10313	1	FILTER SUPPORT	
33	VS13308	1	FITTING PIPE	
34	VS13603	1	GARDEN COUPLING	
35	VR31019	1	TUBING	
36		2	WATER HOSE HOLDER	
37	VV10114	2	Klammer	
38	VR13414	1	Batteriekabelkit	
39		2	SCREW M6X30	
40		1	SCREW M4X10	
41	VR31017	1	SEAL COVER	
42	VR17208	1	RECOVERY TANK LATCH	
43		2	SPRING WASHER $\Phi 6$	
44		4	STAINLESS STEEL GROSS PAN HEAD SCREW M5X16 (GB/T823-1988)	
45	VR31001	1	SOLUTION TANK	
46	GV70034	1	CLAMP DRAIN HOSE	
47	VF80313	1	BARB HOSE	
48	VF80361	1	BALL VALVE	
49	VF90609	1	ELBOW 90DEG BRASS	
50	VR31062	1	BALL VALVE FIX BRACKET	
51	VF90513	1	O-RING OUTLET	
52	VF90507	1	OUTLET COVER	
53		2	STAINLESS STEEL GROSS PAN HEAD SCREW M5X25 (GB/T823-1988)	
K1	VR31038	1	KIT SEAT	
K2	VR17407	1	KIT SEAT MOUNTING PLATE	
K3	VR17406	2	HINGE KIT SEAT	
K4	VR31006	1	LID KIT ELECTRIC BOX	

Pos.	Artikel-Nr.	Menge	Variante	Notes
K5	VR31002	1	KIT ELECTRIC CONTROL	
K6	VR31035	1	KIT TANK SCREW	
K8	VR31036	1	KIT WIRE CLAMP	
K9	VR31023	1	KIT TANK LIMIT	
K10	VR31020	1	KIT FILTER SUPPORT	
K11	VR31040	1	KIT WATER LEVEL PIPE	
K12	VR31041	1	KIT SEAL COVER	
K14	VR31044	1	KIT BALL VALVE	
K15	VF90536	1	ABDECKUNGSSET WASSERABLAUF	
K16	9100000688	1	Mophalter Kit	[1]

Part Notes:

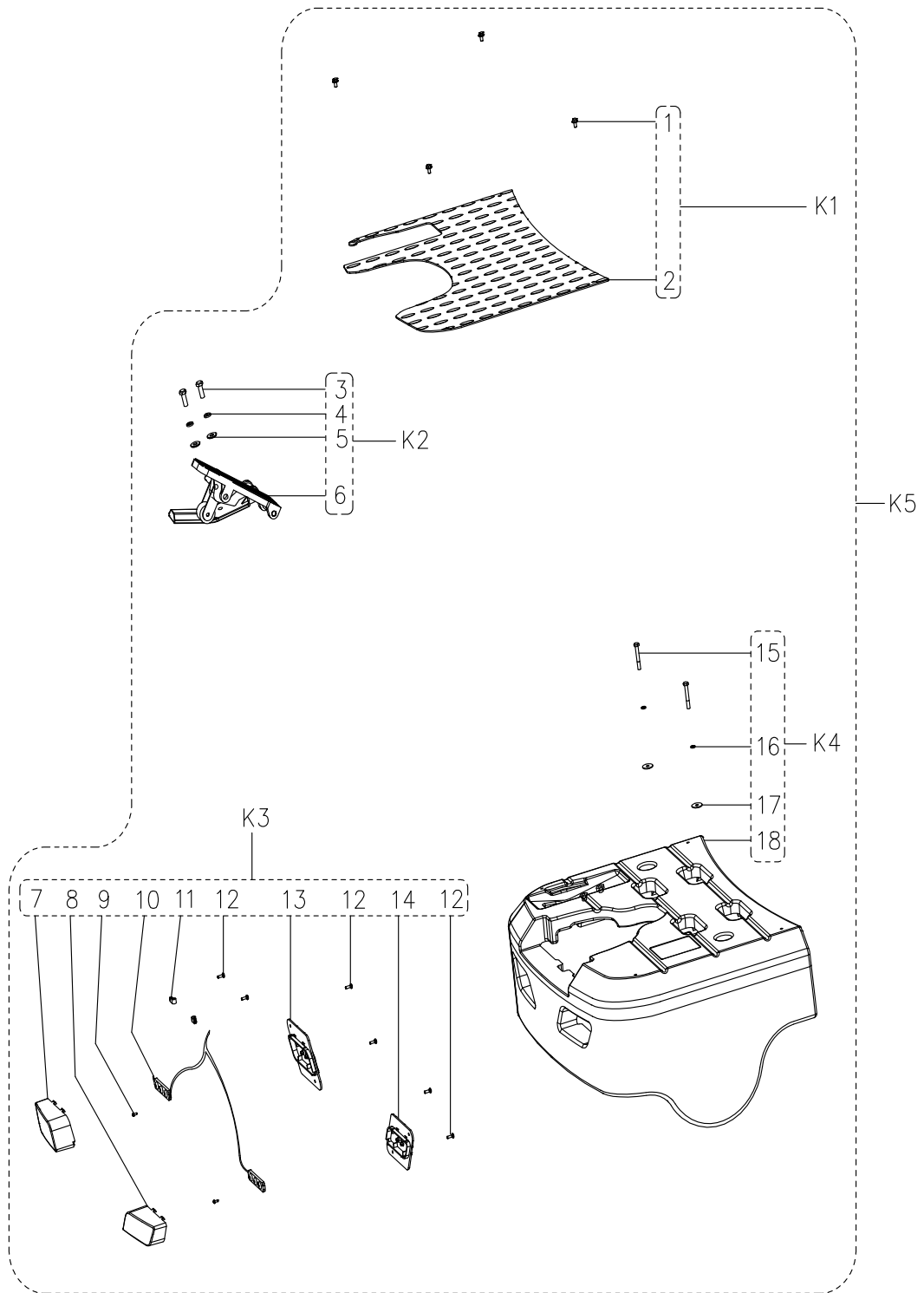
[1] - OPTIONAL)



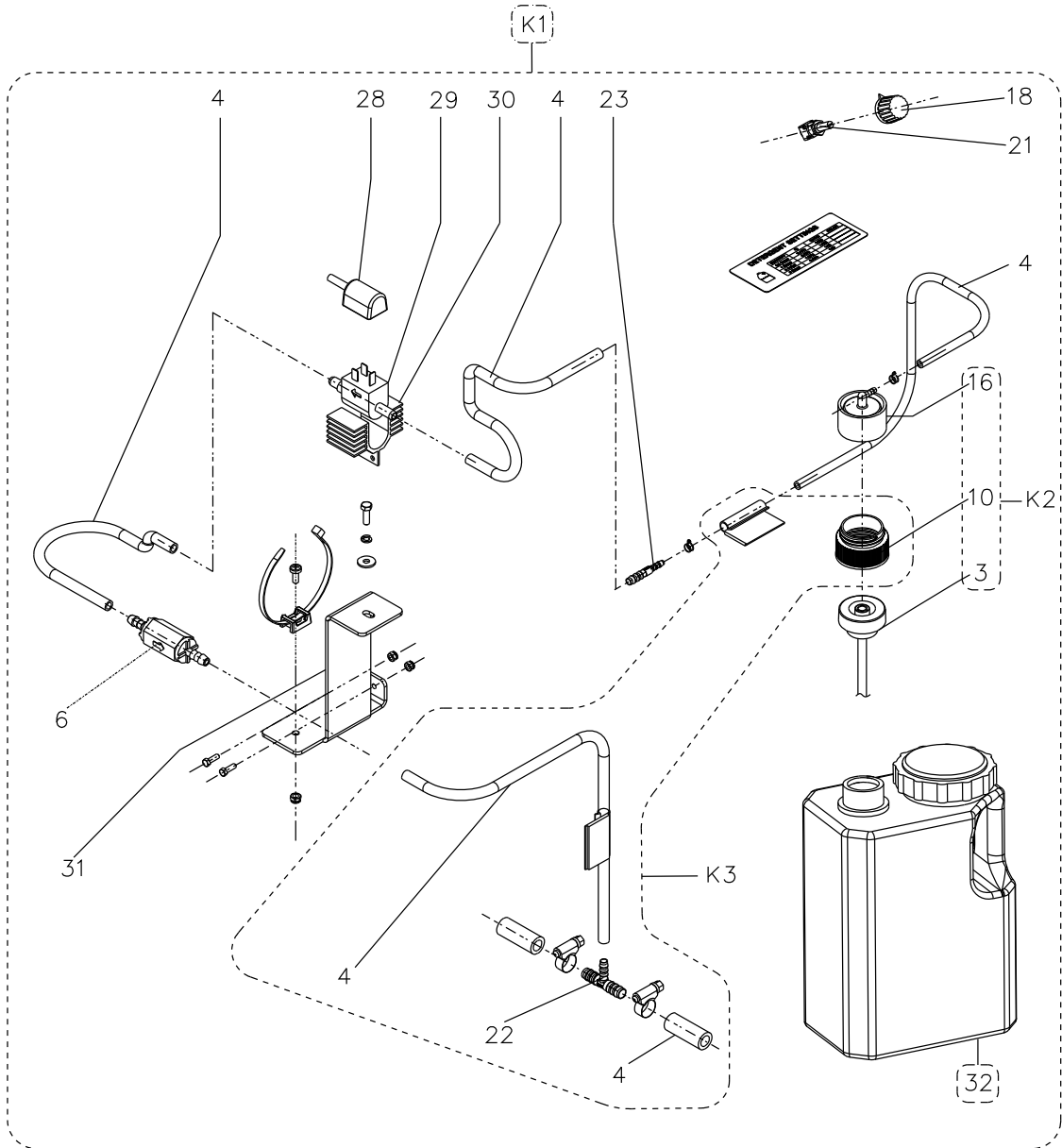
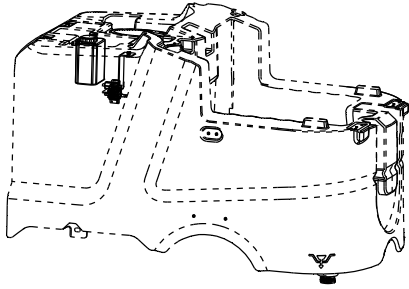
Pos.	Artikel-Nr.	Menge	Variante	Notes
1	VR31028	1	RESET LABEL	
2		11	SCREW M5*12	
3		15	SPRING WASHER Ø5	
4		15	WASHER Ø5*10*1	
5		1	FIX BRACKET	
6	VF90747	1	SCHUTZSCHALTER	
7	ZD48320	4	SCHUTZSCHALTER 30A	[1]
8	VR37039	2	BREAKER 3 AMP	
9	VS10201	1	RELAY 24V	
10		1	DC CONTACTOR SW80-999P 24V 125A	
11	VF90230	1	RELAY 24V DC	
12	VR13207	1	MOUNTING BRACKET	
13		1	RELAY SW84-554	
14		8	SCREW PWM5*14	
15		1	ELECTRIC PARTS MOUNTING PLATE	
16	VR37051	1	KIT CHARGER 100 240VAC 50/60HZ 24V 25A	
17		4	SCREW M5*20	
18		3	SCREW M6*10	
19		6	SPRING WASHER Ø6	
20		10	WASHER 6.2*16*2	
21	VR13449	3	CONNECT WIRE POLE	
22		3	SCREW M6*16	
23		1	CHARGING SOCKET FIXED PLATE	
24	40256A	1	IEC SOCKET	
25		2	SCREW M3*8	
26	VF89725	1	LADEGERÄT NETZKABEL EU-STECKER	
26	VF89726	1	CHARGER POWER CABLE UK PLUG	
27	VR31063	1	TRANSPARENT LID PIN	
28	VR13106	1	TORSIONAL SPRING	
29	VR13104	1	TORSIONAL SPRING	
30	VR31008	1	TRANSPARENT LID	
31	VR31060	1	CHARGING SOCKET LABEL	
32	VR13209	1	TRANSPARENT LABEL	
33	VR31007	1	ELECTRIC BOX LID	
34	VR31009	1	EVA GASKET	
35	VR31010	1	WATERPROOF BOARD	
36		4	SCREW ST3.5*8	
K1	VR31045	1	KIT FIX BRACKET	
K2	VR31046	1	KIT BREAKER	
K3	VR31047	1	KIT 24V RELAY	
K4	VR31048	1	KIT DC CONTACTOR	
K5	VR31049	1	KIT RELAY	
K6	VR31050	1	KIT RELAY	
K7	VR31051	1	KIT ELECTRIC PARTS MOUNTING PLATE	
K8	VR31052	1	KIT CHARGER	
K9	VR31053	3	KIT CONNECT WIRE POLE	
K10	VR31054	1	KIT CHARGING SOCKET FIXED	
K11	VR31055	1	KIT TRANSPARENT LID	
K12	VR31006	1	LID KIT ELECTRIC BOX	

Part Notes:

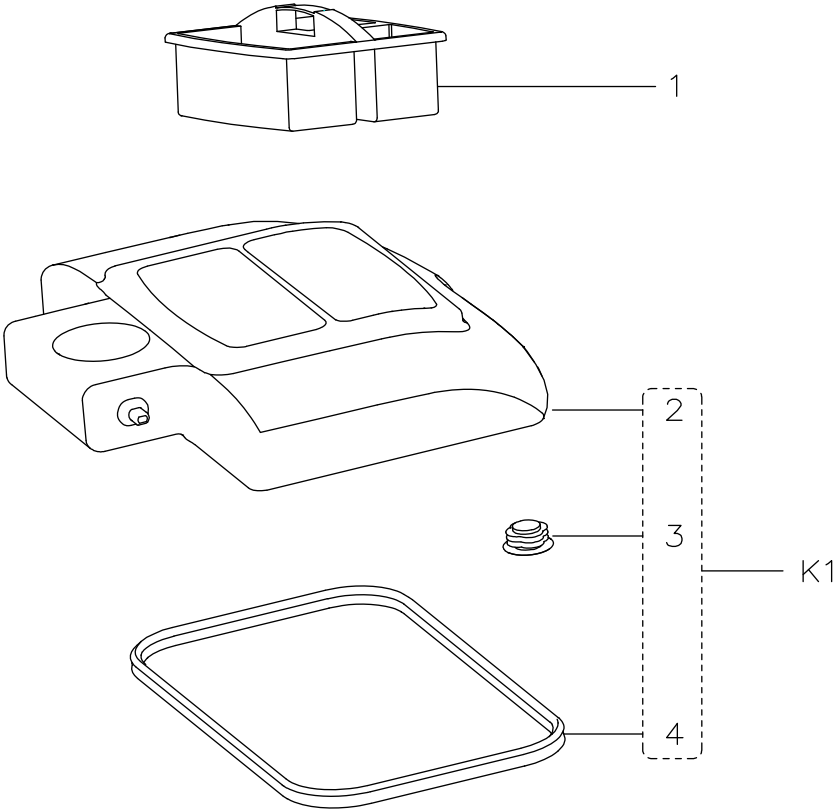
[1] - TSB-FC-2019-025 brush circuit breaker



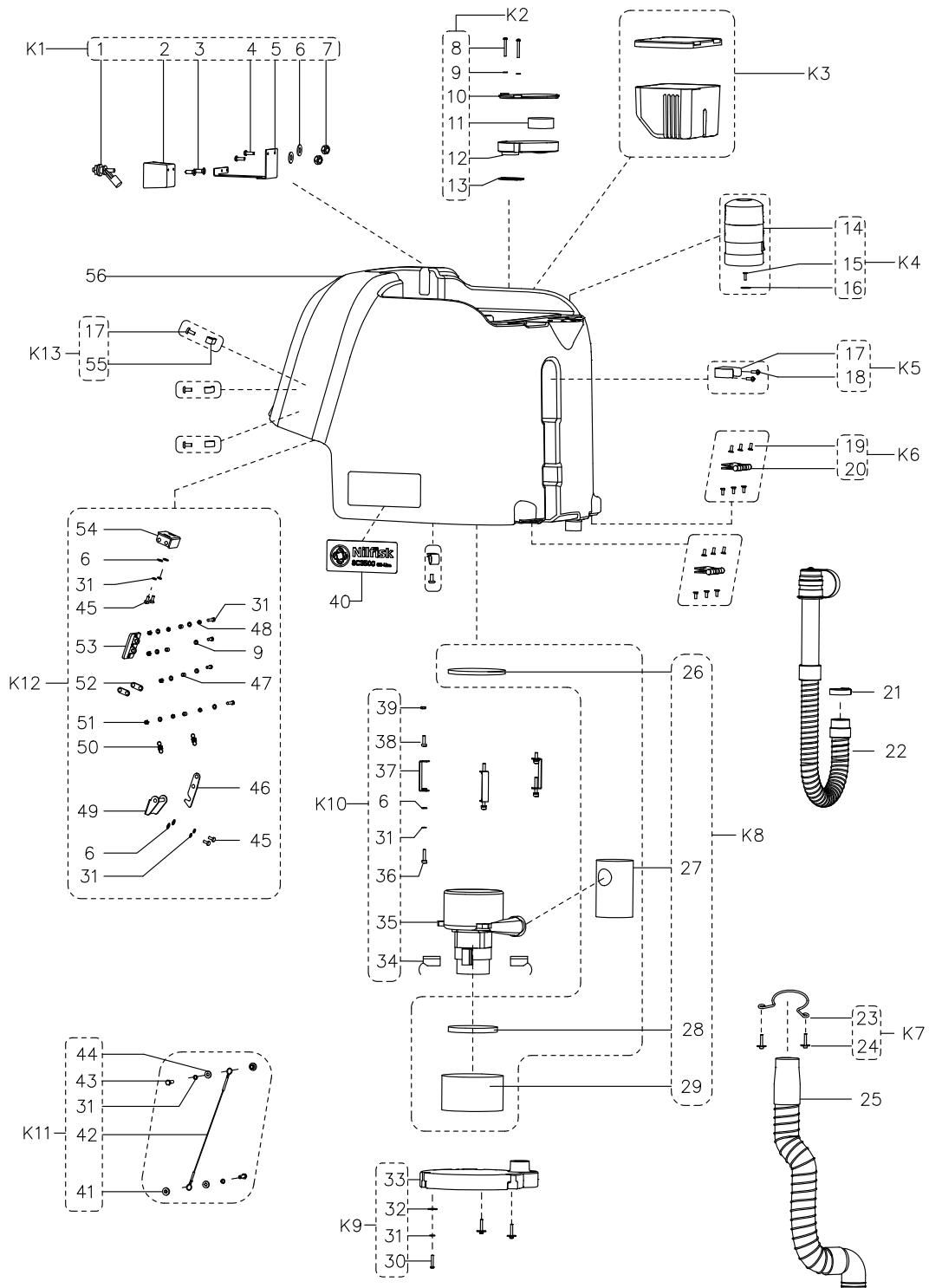
Pos.	Artikel-Nr.	Menge	Variante	Notes
1		4	SCREW M5*14	
2		1	ANTI-SKID PLATE	
3		2	SCREW M8*25	
4		2	SPRING WASHER M8	
5		2	WASHER $\Phi 8 \times \Phi 16.5 \times 1$	
6		1	SPEED CONTROL PEDAL	
7	VR30106	1	LED LAMP COVER LEFT	
8	VR30107	1	LED LAMP COVER RIGHT	
9		2	SCREW M3*8	
10	VR37022	1	LED LIGHT	
11		2	WIRE CLIP	
12		6	SCREW M4*10	
13	VR30108	1	LED LAMP HOLDER LEFT	
14	VR30109	1	LED LAMP HOLDER RIGHT	
15		2	SCREW M6*45	
16		2	SPRING WASHER $\Phi 6$	
17		2	WASHER $\Phi 6 \times \Phi 22 \times 1.5$	
18		1	PEDAL BOX	
K1	VR30110	1	KIT ANTI-SKID PLATE	
K2	VR13300	1	Gaspedalkit	
K3	VR30103	1	KIT LED LIGHT	
K4	VR30111	1	KIT PEDAL BOX	
K5	VR30100	1	PEDAL BOX ASSEMBLY	



Pos.	Artikel-Nr.	Menge	Variante	Notes
3		1	SYPHON HOSE VALVE (SEE ADAPTER CAP	
4	9097175000	1	HOSES CHEMICAL MIX KIT	
6	9097030000	1	Wegeventil	
10		1	ADAPTER (SEE ADAPTER CAP ASSY)	
16		1	CAP DRY BREAK (SEE ADAPTER CAP ASSY)	
18	145 4719 000	1	Drehknopf zuPotentiometer	
21	909 6076 000	1	Potentiometer BR 601	
22	909 6092 000	1	T- Stück	
23	909 6090 000	1	HOLDER RUBBER STRAIGHT	
28	9097041000	1	HARNES DETERGENT SOLUTION PUMP	
29	53721A	1	Chemiepumpe	
30	61772A	1	BRACKET CHEMICAL PUMP	
31	9097084000	1	BRACKET PUMP SUPPORT	
32	56104190	1	Ecoflex-Behälter 5 Liter	
K1	9100002963	1	KIT REINIGUNGSMITTELLÖSUNGSSYSTEM	
K2	9098025000	1	Reduzierstück f.	
K3		1	HOSES AND HOSE CONNECTOR KIT(NO USED ON SC3500)	

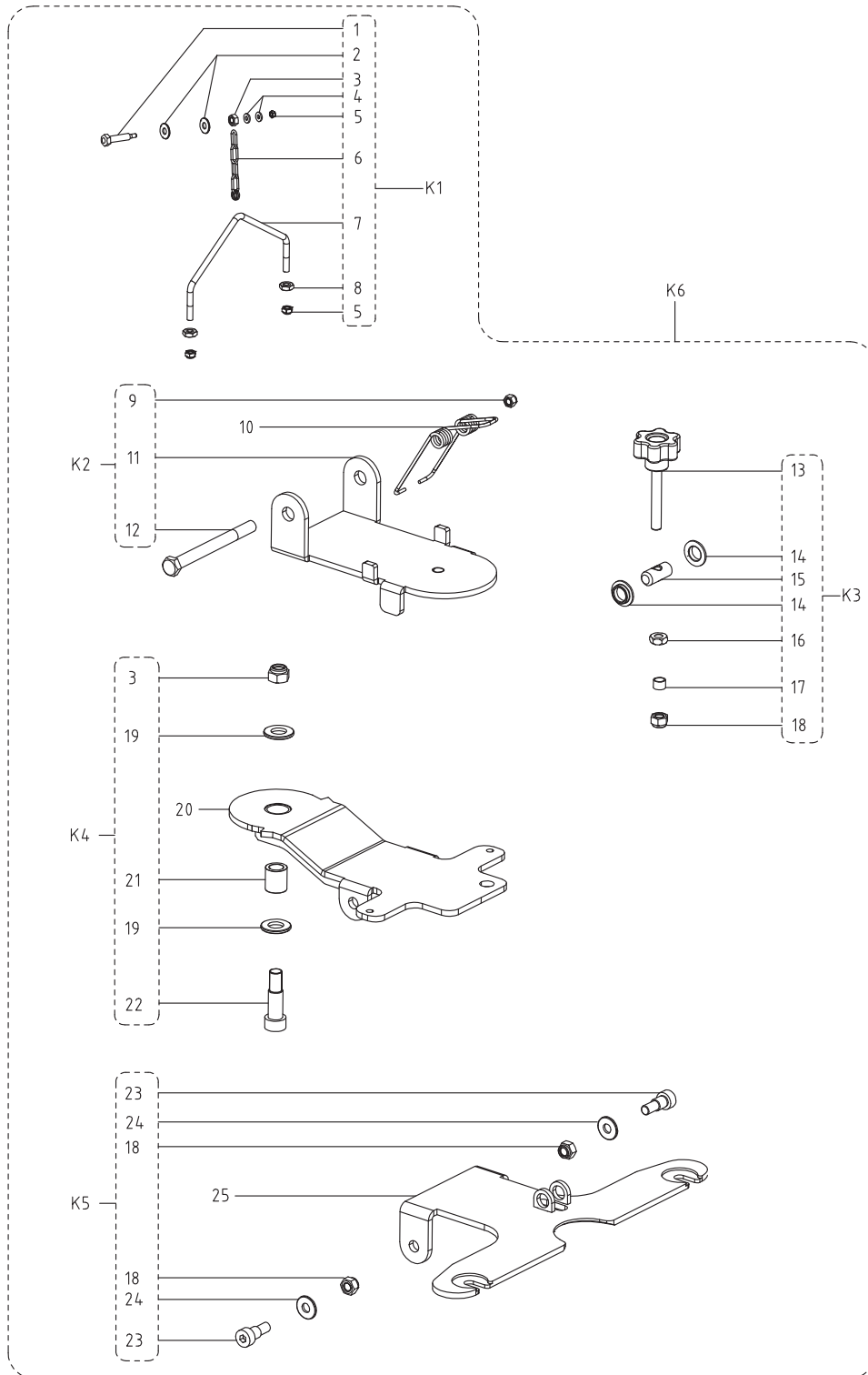


Pos.	Artikel-Nr.	Menge	Variante	Notes
1	56112222	1	Zubehörkorb	
2		1	RECOVERY TANK LID	
3		1	CAP BLACK ,TANK LOCKING	
4	VF90504	1	Dichtung für Schmutzwassertank	
K1	VR32015	1	KIT RECOVERY TANK	

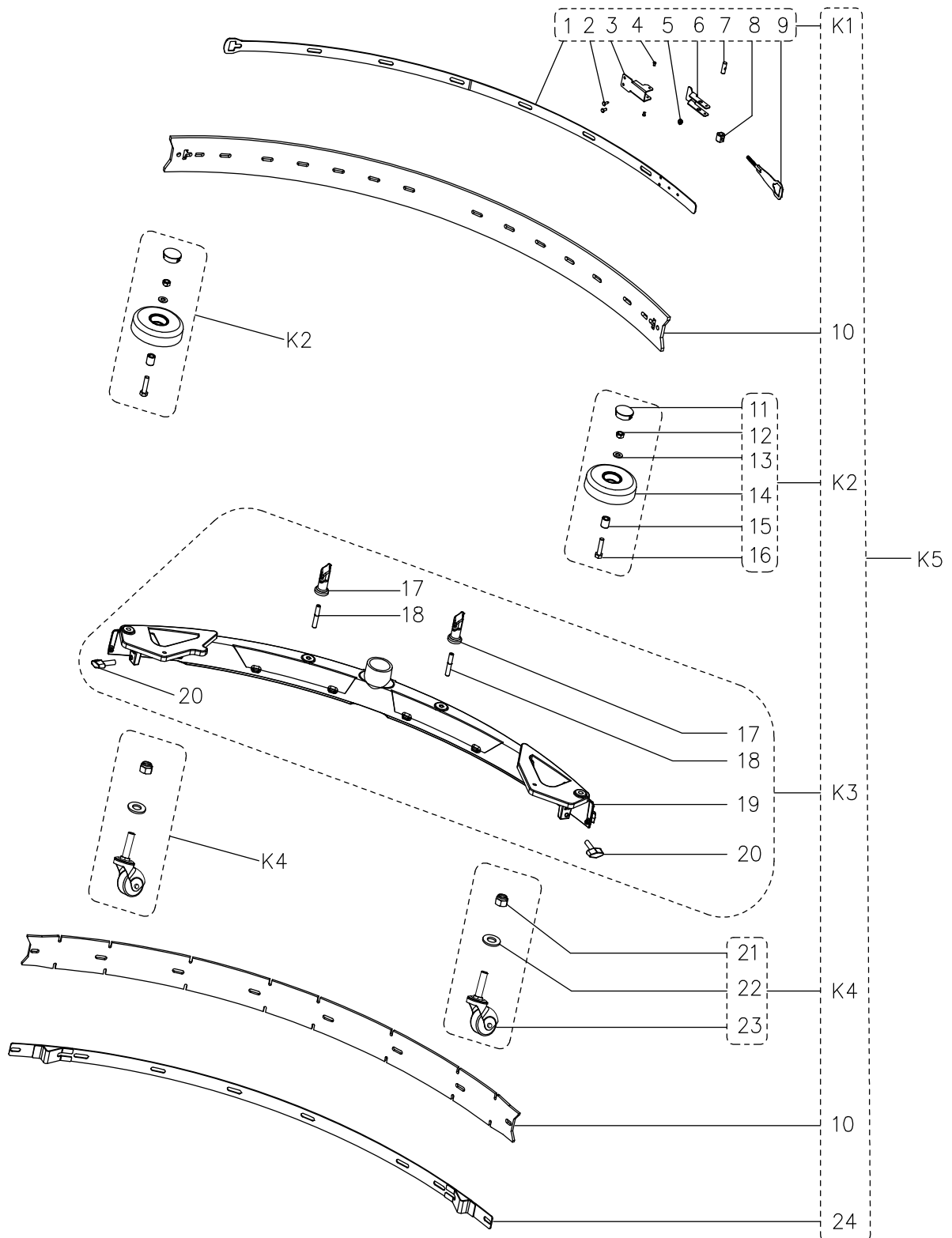


Pos.	Artikel-Nr.	Menge	Variante	Notes
1	VR13431	1	Füllstandsschalter	
2		1	WATER LEVEL SWITCH COVER	
3		2	SCREW ST4X15	
4		2	SCREW	
5		1	WATER LEVEL SWITCH FRAME	
6		9	WASHER	
7		2	LOCK NUT	
8		2	M5*40 SCREW M5*40	
9		10	WASHER	
10		1	VACUUM HOLE	
11		1	RECOVERY TANK FILTER NET	
12		1	EXHAUST INLET BASE	
13		1	EXHAUST INLET GASKET	
14		1	WARNING LIGHT	
15		1	PM5*25 SCREW 5*25	
16		1	WASHER	
17		1	CLAMP DRAIN HOSE	
18		6	PM5*10 SCREW PM5*10	
19		6	SCREW	
20		2	RECOVER TANK HINGE	
21	VV10113	1	Klammer	
22	VR22006	1	ENTWÄSSERUNGSSCHLAUCH	
23		1	HOSE CLAMP	
24		2	SCREW	
25	VR32011	1	SUCTION HOSE ID 50	
26		1	GASKET	
27		1	ACOUSTIC INSULATION PIPE	
28		1	WG GASKET	
29		1	VACUUM MOTOR SPONGE	
30		5	SCREW	
31		12	SPRING WASHER	
32		3	WASHER	
33		1	SILENCER	
34	VF90522	2	KOHLEBÜRSTE FÜR VAKUUMMOTOR	
35		1	VACUUM MOTOR	
36		3	SCREW	
37		3	VACUUM MOTOR BRACKET	
38		3	SCREW	
39		3	NUT M6	
40	VR32006	2	DECALS	
41		2	SLEEVE	
42	VR17008	1	RECOVERY TANK PULL CABLE	
43		2	SCREW	
44		2	WASHER	
45		4	304 SCREW	
46		1	RECOVERY TANK LATCH HOOK	
47		4	SLEEVE	
48		4	NUT M5	
49		1	RECOVERY TANK LATCH	
50		2	65Mn SPRING	
51		4	NUT M5	
52		2	RECOVERY TANK LATCH LINKAGE	
53		1	RECOVERY TANK LATCH PLATE	
54		1	RECOVERY TANK LATCH FIXED PLATE	
55		4	CABLE CLAMP	
56	VR32001	1	RECOVERY TANK	
K1	VR32016	1	KIT RECOVERY TANK WATER LEVEL SWITCH	
K2	VR17130	1	KIT VACUUM HOLE	
K3	910000795	1	Schmutzfang-Set	

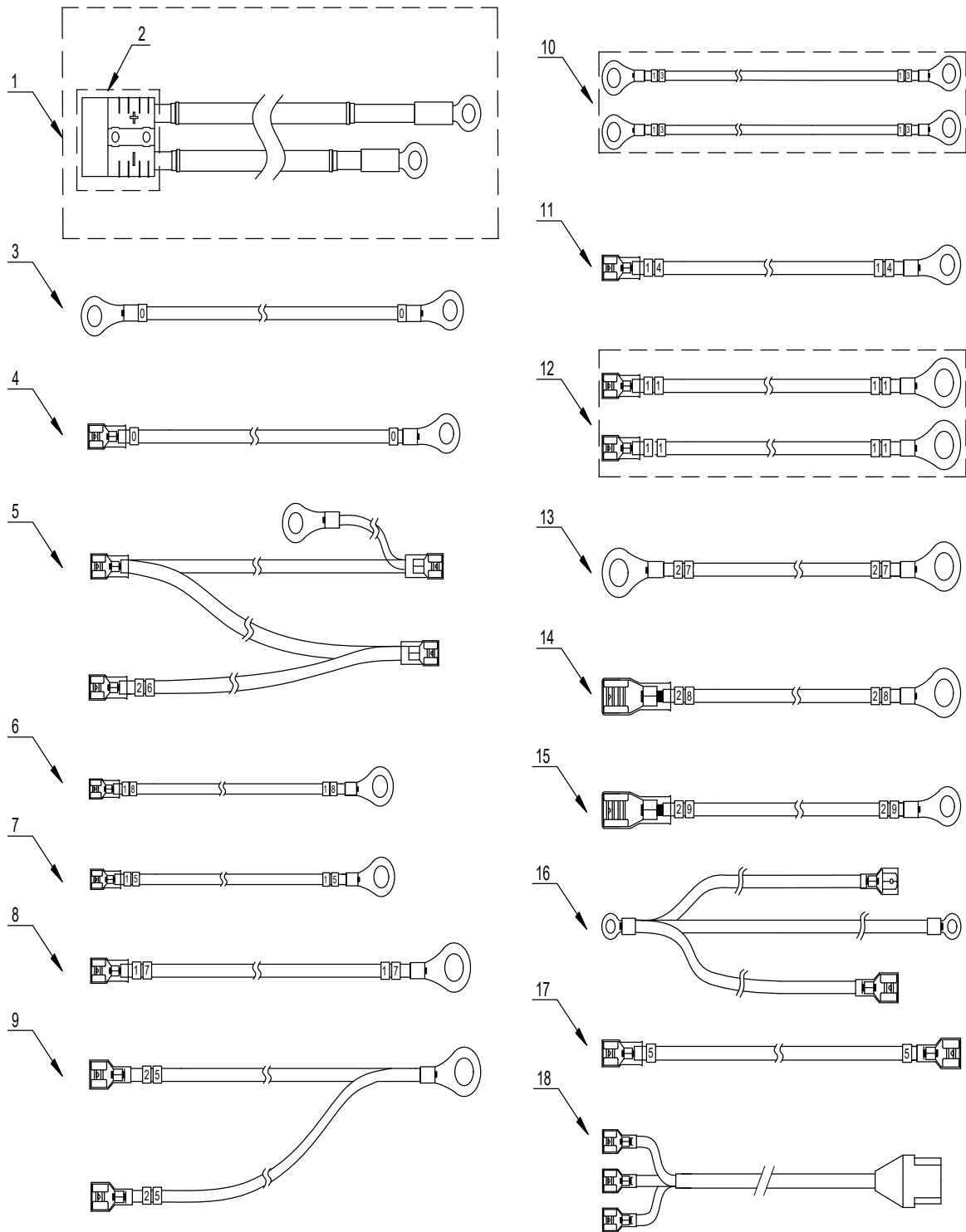
Pos.	Artikel-Nr.	Menge	Variante	Notes
K4	VR32017	1	KIT WARNLEUCHTE	
K5	VR22017	1	KLAMMER ABLAUFSCHLAUCH-SET	
K6	VR17602	2	HINGE KIT RECOVEY TANK	
K7	VR32018	1	KIT VACUUM HOSE CLAMP	
K8	VR17123	1	KIT VACUUM GASKET OR SPONGE	
K9	VR17124	1	KIT SILENCER	
K10	VR17119	1	KIT VACUUM MOTOR	
K11	VR32019	1	KIT RECOVERY TANK PULL CABLE	
K12	VR17200	1	KIT RECOVERY TANK LATCH	
K13	VR32021	1	KIT CABLE CLAMP	



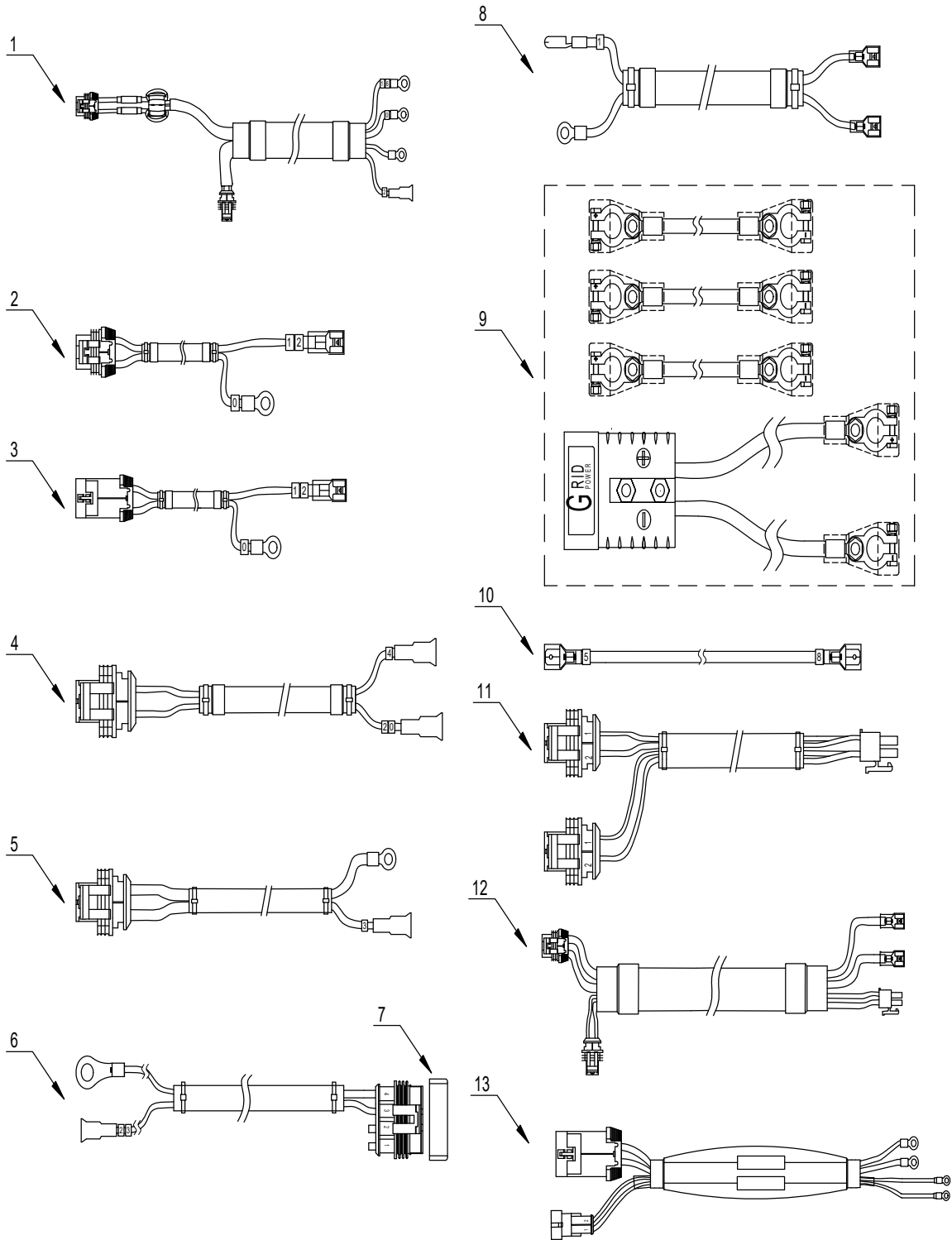
Pos.	Artikel-Nr.	Menge	Variante	Notes
1	VR36023	1	SCREW 9.8 X 6 X M6 X 55	
2		2	WASHER Φ 10.3* Φ 25*2	
3		2	NUT LOCK M10	
4		2	WASHER Φ 6*18*1.5	
5		3	NUT LOCK M6	
6	VR36029	1	SQUEEGEE LIFT CHAIN	
7	VR11405	1	SQUEEGEE LIFT LEVER	
8		2	NUT M6	
9		1	NUT LOCK M12	
10	VR36028	1	SPRING	
11		1	SQUEEGEE BRACKET	
12		1	SCREW M12*115	
13	VF85104	1	HANDWHEEL M8X55	
14		2	SPACING RING	
15		1	PIN BOLT	
16		1	NUT M8	
17		1	SPACER	
18		3	NUT LOCK M8	
19		2	NYLON WASHER	
20	VR36035	1	KIT SQUEEGEE ROTATING BRACKET	
21		1	SPACER	
22		1	SCREW Φ 12* Φ 24*M10	
23		2	SCREW Φ 10* Φ 11.5*M8	
24		2	WASHER Φ 8	
25		1	SQUEEGEE ROTATING BRACKET	
K1	VR36032	1	KIT SQUEEGEE LIFT LEVER	
K2	VR11408	1	KIT SQUEEGEE BRACKET	
K3	VR36034	1	KIT HAND WHEEL	
K4	VR36035	1	KIT SQUEEGEE ROTATING BRACKET	
K5	VR36036	1	KIT SQUEEGEE ADJUSTMENT BRACKET	
K6	VR36022	1	SQUEEGEE BRACKET ASSEMBLY	



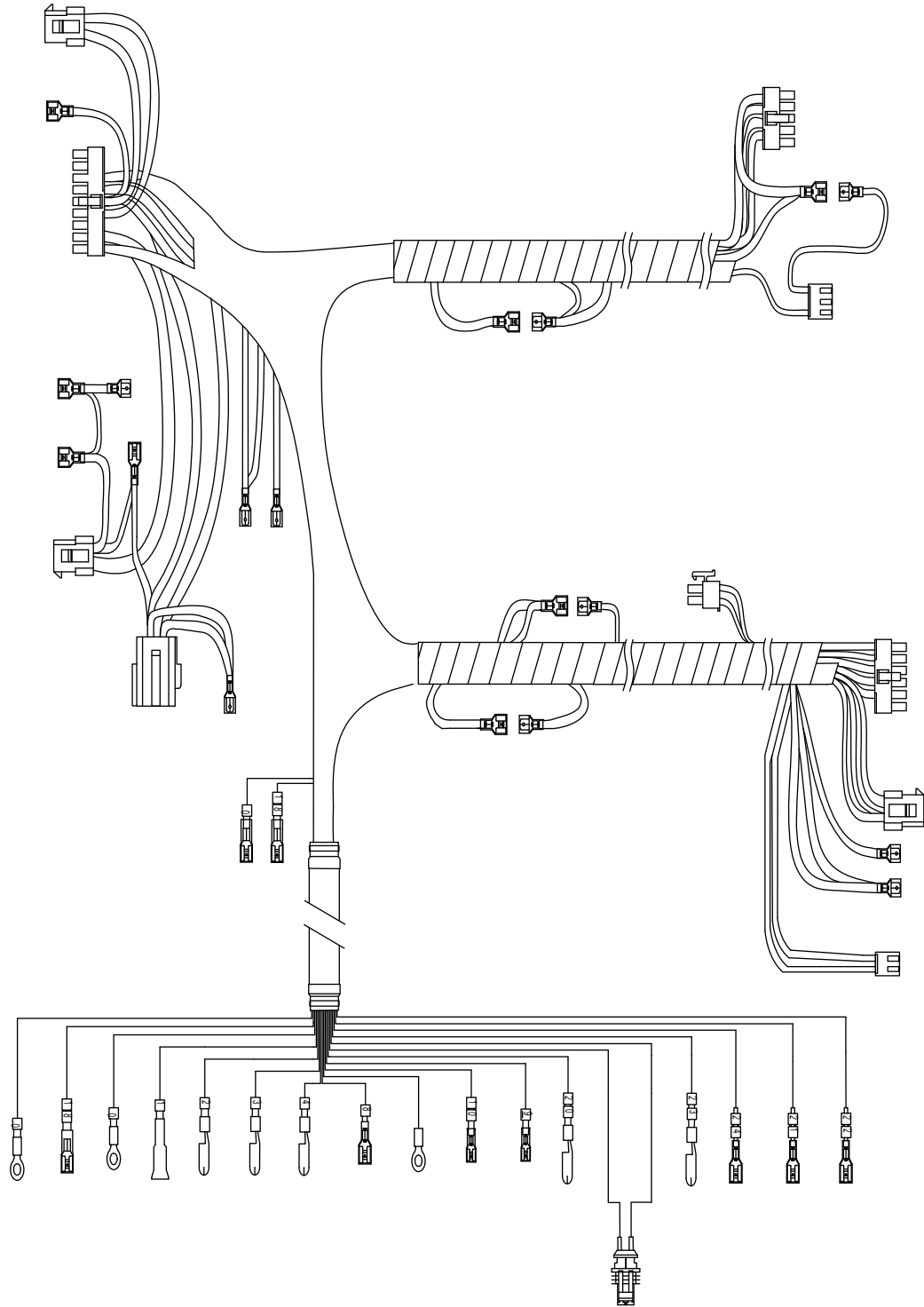
Pos.	Artikel-Nr.	Menge	Variante	Notes
1	VR36007	1	STRAP REAR SQUEEGEE	
2		2	RIVET $\Phi 6.1 \times \Phi 4 \times 5$	
3	VR36016	1	FIXED PLATE BUCKLES	
4		2	RIVET $\Phi 6.1 \times \Phi 3 \times 5$	
5		1	NUT LOCK M5	
6	VF81218A-2	1	BUCKLES FRAME	
7		1	SPINDLE	
8	VF81225A	1	SHAFT SLEEVE	
9	VR36021	1	ADJUSTABLE BUCKLE	
10	56382738	1	Absaugleisten-Set	
10	56382740	1	Sauglippen-Set PU	
10	56382739	1	Sauglippen-Set, Gummi, rot	
11	VR36011	2	WHEEL LID BUMPER	
12		2	NUT LOCK M8	
13		2	WASHER $\Phi 8 \times 16.5 \times 1$	
14		2	WHEEL BUMPER	
15	VR36009	2	SPACER	
16	VF14251	2	BOLT M8X30 HEX STEEL	
17	VR36012	2	NUT THUMB SQUEEGEE FIXING	
18	VR36017	2	SCREW M8 X 45	
19		1	SQUEEGEE ALUMINUM BODY	
20	VF85420	2	KNOB CT 476/30 S-P-M8X30 BP INOX / SS	
21		2	NUT LOCK M10	
22		2	WASHER $\Phi 10.3 \times \Phi 25 \times 2$	
23		2	UNIVERSAL WHEEL	
24	VR36006	1	STRAP FRONT SQUEEGEE	
K1	VR36014	1	STRAP KIT REAR SQUEEGEE	
K2	VR36038	2	KIT WHEEL BUMPER	
K3	VR36039	1	KIT SQUEEGEE ALUMINUM BODY	
K4	VR36041	2	KIT UNIVERSAL WHEEL	
K5	VR36000	1	SQUEEGEE ASSEMBLY	



Pos.	Artikel-Nr.	Menge	Variante	Notes
1	VR13414	1	Batteriekabelkit	
2	VF81306-1	1	ANDERSON PLUG 175A 600V	
3	VR37024	1	KIT NEGATIVE CONNECT POLE WIRE	
4	VR37025	1	KIT MAIN CONTACTOR TO NEGATIVE WIRE	
5	VR37026	1	KIT CONTACTOR WIRE	
6	VR37027	1	KIT MAIN CONTACTOR TO MAIN BREAKER WIRE	
7	VR37028	1	KIT MAIN CONTACTOR TO BREAKER WIRE 15	
8	VR37029	1	KIT MAIN CONTACTOR TO BREAKER WIRE 17	
9	VR37030	1	KIT MAIN CONTACTOR TO BREAKER WIRE 25	
10	VR37031	1	KIT MAIN CONTACTOR WIRE 13	
11	VR37032	1	KIT VACUUM MOTOR CONTACTOR WIRE 14	
12	VR37033	1	KIT BRUSH MOTOR CONTACTOR WIRE 11	
13	VR37034	1	KIT BRUSH DISCHARGE CONNECT WIRE	
14	VR37035	1	KIT DISCHARGE BRUSH RELAY POSITIVE WIRE	
15	VR37036	1	KIT DISCHARGE BRUSH RELAY NEGATIVE WIRE	
16	VR37037	1	KIT AC GROUND WIRE	
17	VR37038	1	KIT MAIN BREAKER TO CHARGER WIRE	
18	VR37050	1	POWER CORD CONNECTION FOR CHARGER	



Pos.	Artikel-Nr.	Menge	Variante	Notes
1	VR37052	1	KIT VACUUM MOTOR WIRE EU VERSION	
2	VR37014	1	KIT LEFT BRUSH MOTOR WIRE	
3	VR37015	1	KIT RIGHT BRUSH MOTOR WIRE	
4	VR37016	1	KIT SQUEEGEE ACTUATOR WIRE	
5	VR37018	1	KIT SEAT SWITCH WIRE	
6	VR37019	1	KIT LYE PUMP WIRE	
7	VS13609	1	WATERPROOF COVER BLACK NBR50-55A	
8	VR37020	1	KIT WATER VALVE WIRE	
9	VR37021	1	KIT BATTERY WIRE	
10	VR37040	1	KIT CHARGER INNER RELAY WIRE	
11	VR37044	1	KIT LED HEADLIGHT WIRE	
12	VR13438-1	1	CABLE CONNECTION DRIVING WHEEL	
13	VR37047	1	TERMINAL LINE FOR FRONT DRIVE WHEEL	



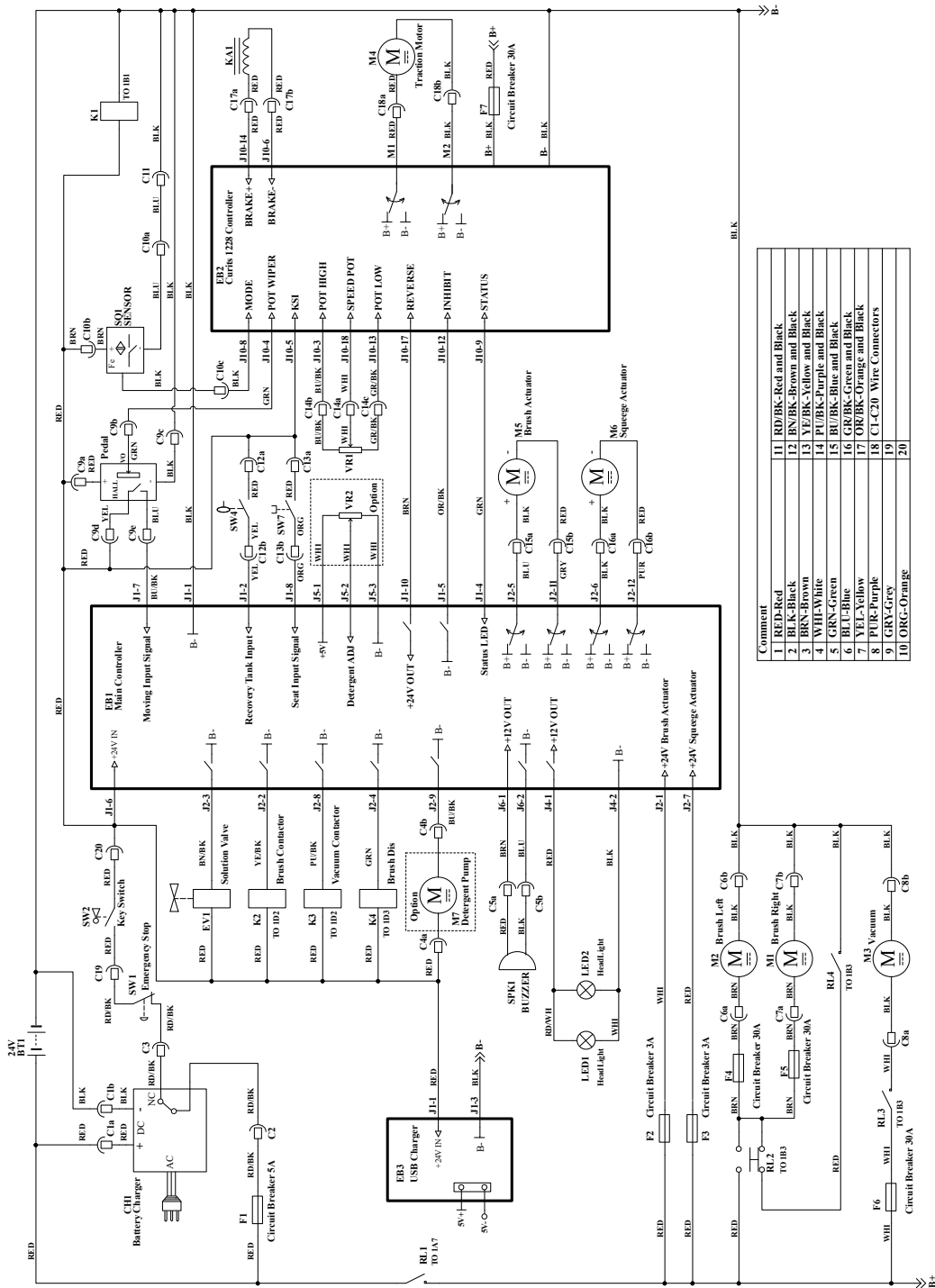
Main connecting wire VR37013

SC3500 71D NIL

2019.05.21

2019.05.21

Pos.	Artikel-Nr.	Menge	Variante	Notes
	VR37013	1	MAIN CONNECTING WIRE	



RECOMMENDED REPLACEMENT PARTS INVENTORY LIST

SC3500

CLASS:

W = Normal Wear

OM = Ordinary Maintenance

EM = Extra-Ordinary Maintenance

RECOMMENDED REPLACEMENT PARTS INVENTORY LIST

SC3500 71D NIL

19.05.21
2019.06.28

Pos.	Artikel-Nr.	Menge	Variante	Notes
			SOLUTION TANK	
EM	VR33005	1	KIT PIPE	
EM	VR31020	1	KIT FILTER SUPPORT	
EM	VR31040	1	KIT WATER LEVEL PIPE	
EM	VF90536	1	ABDECKUNGSSET WASSERABLAUF	
			RECOVERY TANK	
EM	VR32016	1	KIT RECOVERY TANK WATER LEVEL SWITCH	
EM	VR17119	1	KIT VACUUM MOTOR	
OM	VR22006	1	ENTWÄSSERUNGSSCHLAUCH	
OM	VR32011	1	SUCTION HOSE ID 50	
OM	VF90504	1	Dichtung für Schmutzwassertank	
EM	VR32021	1	KIT CABLE CLAMP	
W	VF90522	2	KOHLEBÜRSTE FÜR VAKUUMMOTOR	
EM	VR22017	1	KLAMMER ABLAUFSCHLAUCH-SET	
			DRIVE SYSTEM	
EM	VR13300	1	Gaspedalkit	
EM	9100001354	1	Schlüsselschalter komplett	
EM	146 2887 000	1	Schlüssel (2 Stück)	
EM	VR37047	1	TERMINAL LINE FOR FRONT DRIVE WHEEL	
OM	VR37000	1	KIT FRONT DRIVE WHEEL	
EM	VR13438-1	1	CABLE CONNECTION DRIVING WHEEL	
EM	VR11205	1	BREMSE FÜR ANTRIEBSMOTOR AS710R	
OM	VF89116	4	KOHLEBÜRSTEN-SET	
W	VR11208	1	KUNSTSTOFFRAD FÜR AS710R 90MM	
			SOLUTION SYSTEM	
OM	VF90621	1	FILTER KIT	
EM	VR33003	1	KIT SOLENOID VALVE	
EM	9100002963	1	KIT REINIGUNGSMITTELLÖSUNGSSYSTEM	
EM	9098025000	1	Reduzierstück f.	
EM	9100000688	1	Mophalter Kit	
EM	56112222	1	Zubehörkorb	
			SQUEEGEE SYSTEMS	
OM	VR36041	2	KIT UNIVERSAL WHEEL	
EM	VR35025	1	RIGHT SKIRT COMPONENT	
EM	VR35026	1	LEFT SKIRT COMPONENT	
W	VR36038	1	KIT WHEEL BUMPER	
EM	VR36000	1	SQUEEGEE ASSEMBLY	
EM	VR33007	1	KIT SAUGLEISTE	
EM	VR36014	1	STRAP KIT REAR SQUEEGEE	
W	VR36012	2	NUT THUMB SQUEEGEE FIXING	
W	56382738	1	Absaugleisten-Set	
W	56382740	1	Sauglippen-Set PU	
W	56382739	1	Sauglippen-Set, Gummi, rot	
			BRUSH DECK SYSTEMS	
W	56505805	2	Bürste PPN weich Prolite	
W	56505804	2	Bürste Prolene 14"	
W	56505800	2	Padhalter 14"	
W	VR35064	1	KIT BUMPER WHEEL	
OM	VR37042	1	KIT MOTOR LEFT BRUSH	
OM	VR37043	1	KIT MOTOR RIGHT BRUSH	
OM	VF89116	4	KOHLEBÜRSTEN-SET	
EM	VR35061	1	KIT KOHLENSATZ	
			ELECTRICAL COMPONENTS	
EM	VR12014	1	BUZZER	
EM	VF90747	1	SCHUTZSCHALTER	
EM	ZD48320	4	SCHUTZSCHALTER 30A	
EM	VR37039	2	BREAKER 3 AMP	
EM	VR31047	1	KIT 24V RELAY	
EM	VR31048	1	KIT DC CONTACTOR	

RECOMMENDED REPLACEMENT PARTS INVENTORY LIST

2019.05.21

SC3500 71D NIL

2019.06.28

Pos.	Artikel-Nr.	Menge	Variante	Notes
EM	VR31049	1	KIT RELAY	
EM	VR31050	1	KIT RELAY	
EM	VR37051	1	KIT CHARGER 100 240VAC 50/60HZ 24V 25A	
EM	VF89725	1	LADEGERÄT NETZKABEL EU-STECKER	
EM	VF89726	1	CHARGER POWER CABLE UK PLUG	
EM	VR13132	1	NOT-AUS-SCHALTER	
EM	9100001354	1	Schlüsselschalter komplett	
EM	VR34047	1	KIT CONTROL PANEL	
EM	VR32017	1	KIT WARNLEUCHTE	
OM	VR13431	1	Füllstandsschalter	
EM	VR37022	1	LED LIGHT	
EM	VR30103	1	KIT LED LIGHT	

