

SQ 650-1 H

SQ 650-3 H



ALTO®

Total Cleaning
Confidence™

ROBE
Reinigungsmaschinen

Hotline: 0 73 03 / 901 980

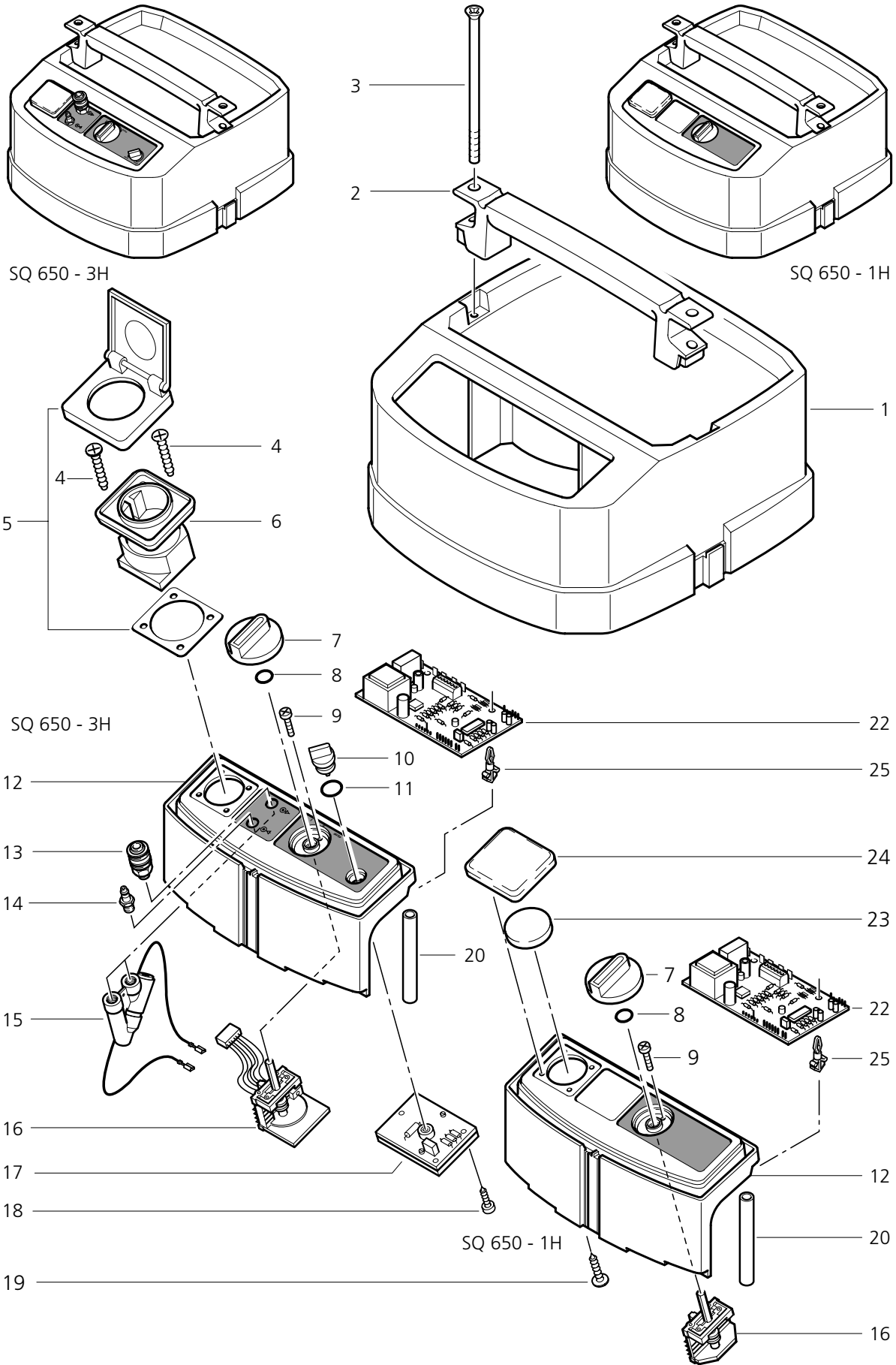
Zur Aumühle 36 | 89257 Illertissen
Tel.: 0 73 03 / 901 980 | Fax 0 73 03 / 901 981 8
info@wap-nilfisk-alto-shop.de

www.wap-nilfisk-alto-shop.de

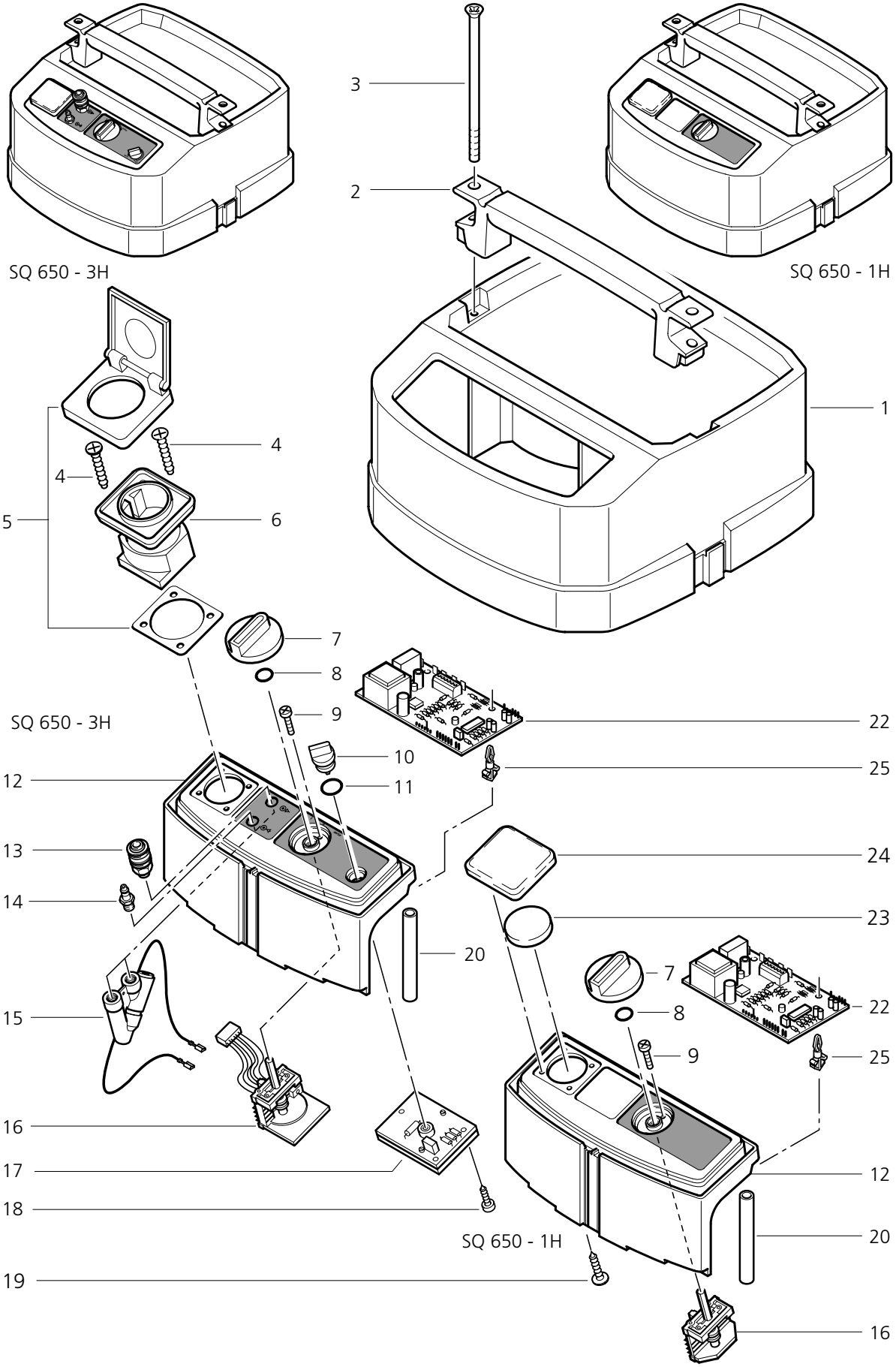
Spare parts
Ersatzteile
Pièces détachées

65342
010100

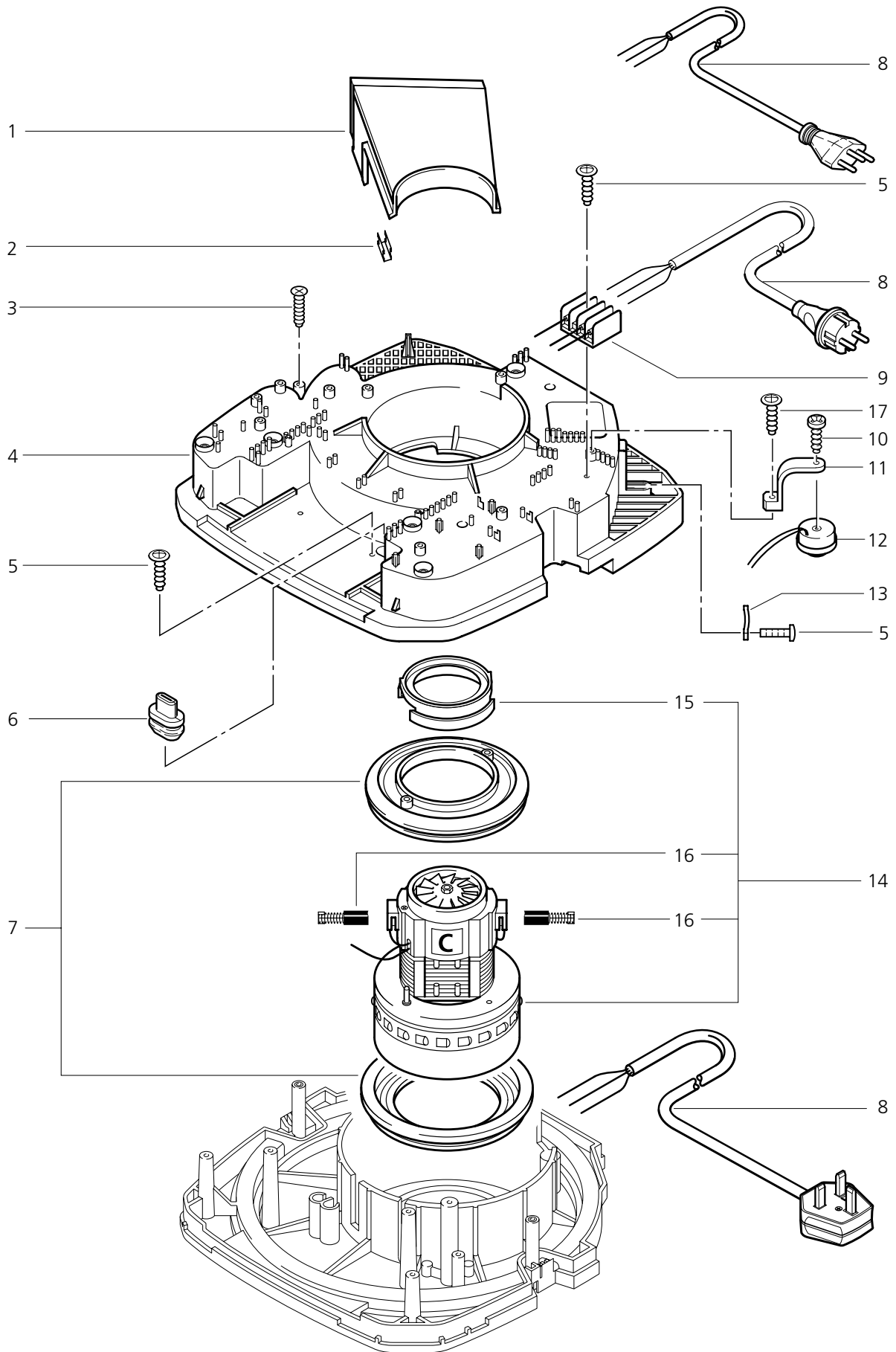
WAP
TECHNOLOGY



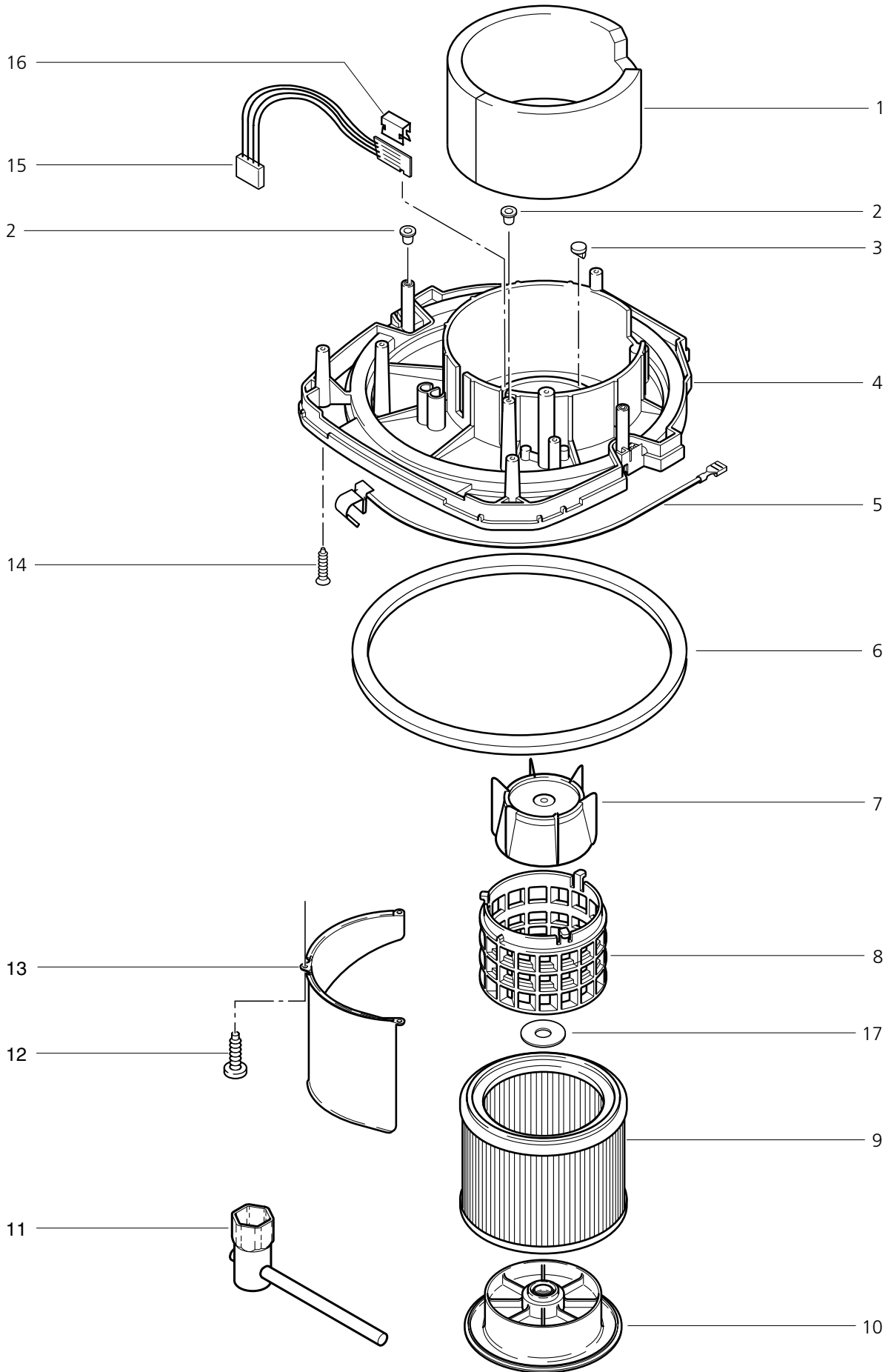
| POS. | NO. | BEZEICHNUNG | DESCRIPTION | DESIGNATION |
|------|--------|-------------------------------------------|---------------------------|--------------------------------|
| 1 | 44172 | Haube | | |
| 2 | 42840 | Handgriff | Handle | Poignée |
| 3 | 11257 | Schraube Senk- M 6x 90 | Countersunk screw M6x90 | Vis à tête fraisée M6x90 DIN 9 |
| 4 | 11254 | Schraube KA3,5x10 SQ 650-3H | Screw KA3,5x10 | Vis KA3,5x10 |
| 5 | 63851 | Abdeckrahmen mit Klappdeckel SQ 650-3H | | |
| 6 | 46296 | Steckdose *D* *EU* bei SQ 650-3H | Plug socket *D* | Prise électrique *D* |
| | 48278 | Steckdose *GB* *GB,230V* bei SQ 650-3H | Plug socket *GB* | Prise électrique *GB* |
| | 48287 | Steckdose *CH* *CH* bei SQ 650-3H | Plug socket *CH* | Prise électrique *CH* |
| 7 | 243611 | Drehknopf | | |
| 8 | 9868 | O-Ring 10x2,5 | O-Ring 10x2,5 | Joint torique 10x2,5 |
| 9 | 18274 | Schraube Senk- M 4x 12 | Countersunk screw M4x12 | Vis à tête fraisée M4x12 DIN 9 |
| 10 | 43694 | Drehknopf SQ 650-3H | Turning knob | Bouton |
| 11 | 32257 | O-Ring 21,0 x1,5 SQ 650-3H | O-Ring 21,0x1,5 | Joint torique 21,0x1,5 |
| 12 | 65297 | Schaltkasten SQ 650-1H | | |
| | 65298 | Schaltkasten SQ 650-3H | | |
| 13 | 14808 | Schlauchkupplung SQ 650-3H | | |
| 14 | 14809 | Nippel SQ 650-3H | Connecting Piece | Raccord |
| 15 | 60392 | Strömungswächter SQ 650-3H | | |
| 16 | 25450 | Schalter SQ 650-3H | | |
| | 29989 | Schalter SQ 650-1H | Switch | Interrupteur |
| 17 | 46929 | Drehzahlregelung 230V SQ 650-3H | | |
| 18 | 4036 | Schraube Bl- 2,9x 9,5 SQ 650-3H | Sheet metal screw 2,9x9,5 | Vis autotaraudeuse 2,9x9,5 |
| 19 | 11256 | Schraube KA3,5x18 | Screw KA3,5x18 | Vis KA3,5x18 |



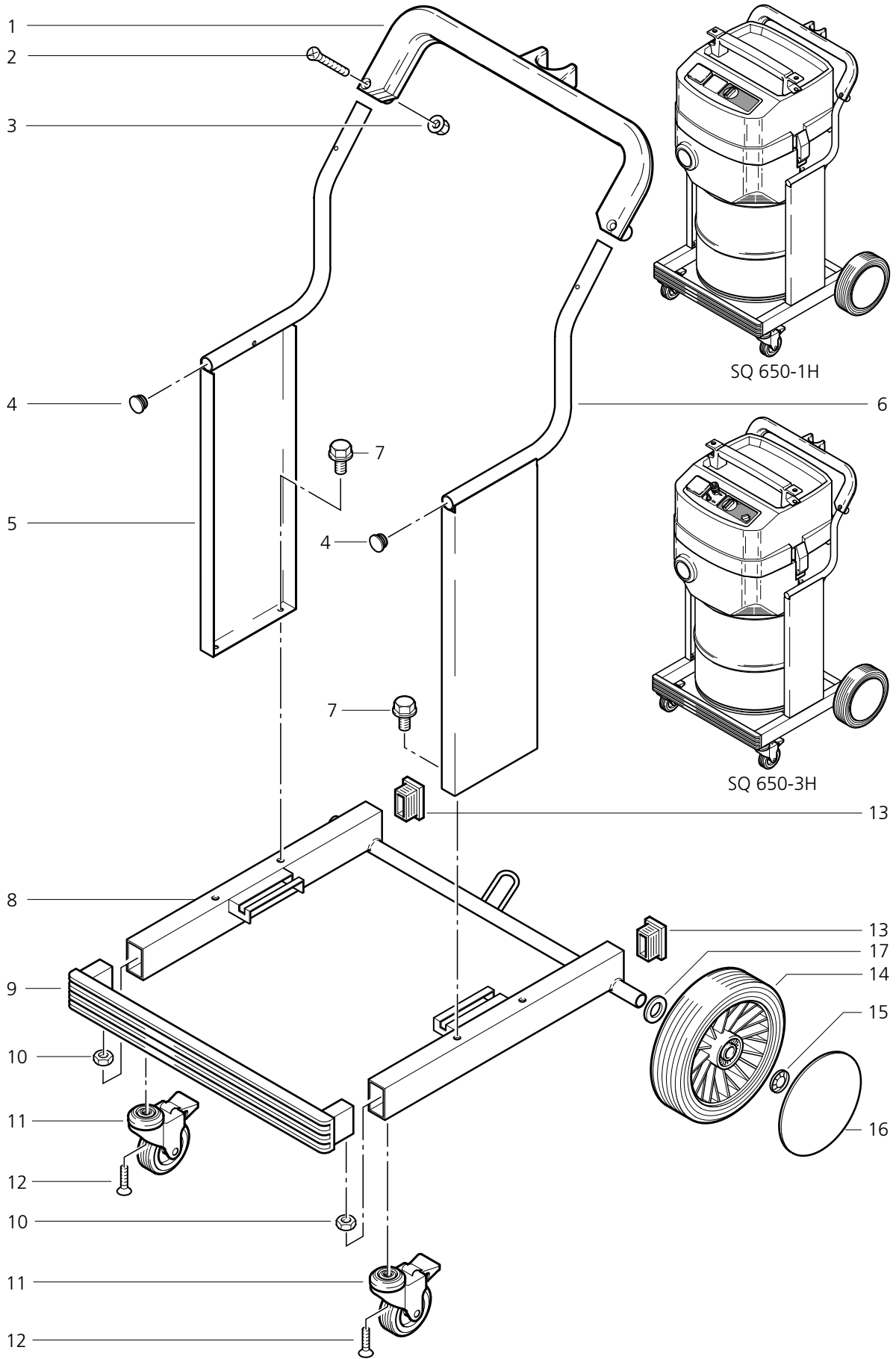
| POS. | NO. | BEZEICHNUNG | DESCRIPTION | DESIGNATION |
|------|-------|----------------------------------------|--------------|----------------|
| 20 | 46247 | Hülse | Bush | Douille |
| 22 | 54898 | El. Strömungsmessung 230V SQ 650-3H | | |
| | 60465 | El. Strömungsmessung 230V SQ 650-1H | | |
| 23 | 49717 | Scheibe D55x8 SQ 650-1H | Washer D55x8 | Rondelle D55x8 |
| 24 | 49787 | Abdeckung SQ 650-1H | Covering | Couvercle |
| 25 | 31663 | Halter | Support | Support |



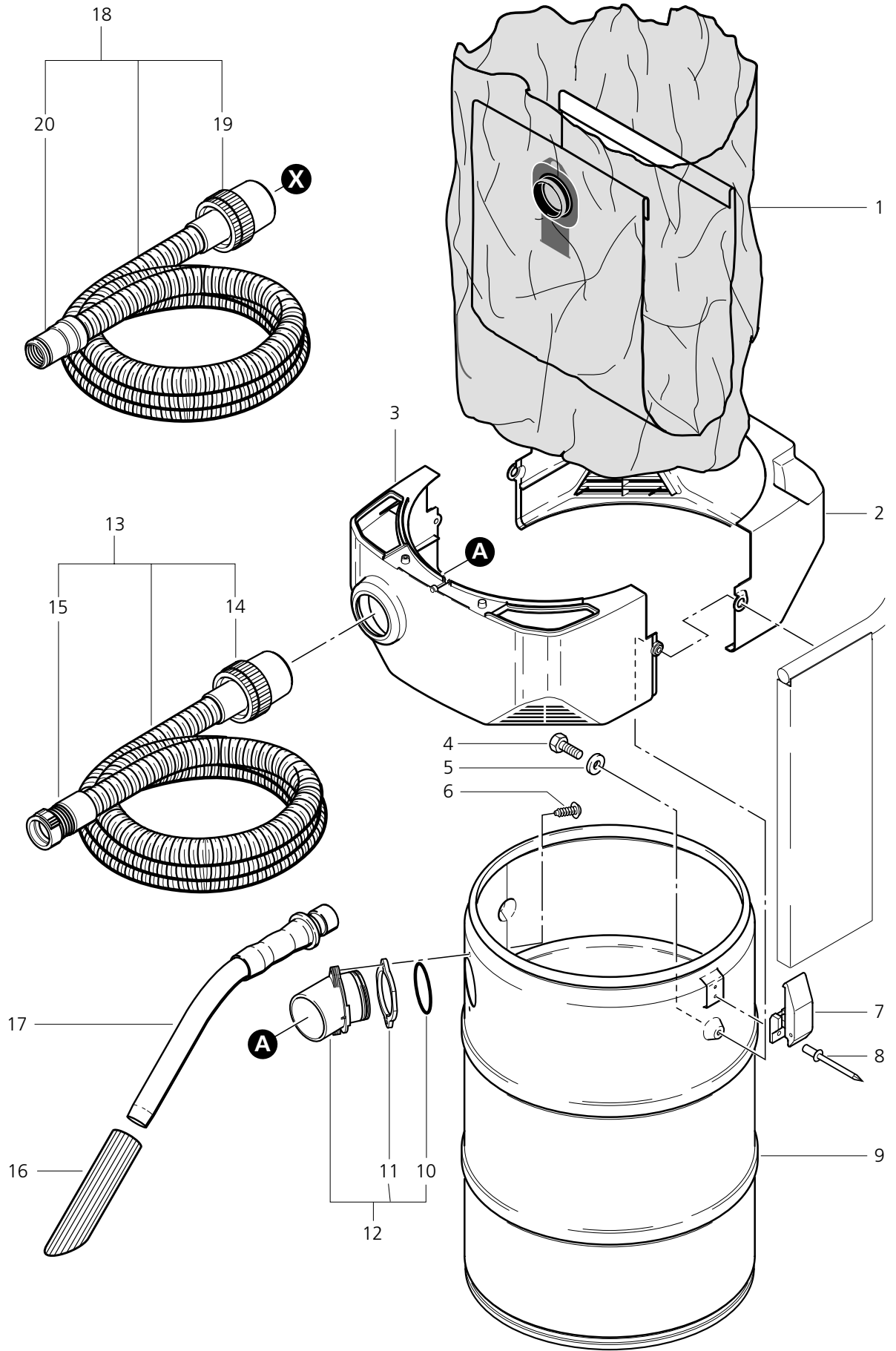
| POS. | NO. | BEZEICHNUNG | DESCRIPTION | DESIGNATION |
|------|-------|-------------------------------------------------------|----------------------------|------------------------------|
| 1 | 11067 | Luftleitwinkel SQ 650-1H | AIR CONDUCT ANGLE | DEFLECTEUR |
| | 11785 | Luftleitwinkel SQ 650-3H | Air diverter | Bavette complète |
| 2 | 11286 | Steckklammer | Spring catch | Clips |
| 3 | 11253 | Schraube KA5,0x20 | Screw KA5,0x20 | Vis KA5,0x20 |
| 4 | 44240 | Spannplatte | Clamping plate | Plaque de serrage |
| 5 | 11256 | Schraube KA3,5x18 | Screw KA3,5x18 | Vis KA3,5x18 |
| 6 | 44917 | Kabeltülle | | |
| | 28875 | Motorlagerring Set bei Kennbuchstabe "L" | Motor bearing | Anneau de centrage |
| | 42538 | Motorlagerring Set bei Kennbuchstabe "C" | Motor bearing | Anneau de centrage |
| 8 | 14885 | Netzleitung 3G1,5x 7,5 *EU* | Power cable 3G1,5x 7,5 | Câble électrique 3G1,5x 7,5 |
| | 15274 | Netzleitung 3G1,5x 7,5 *GB,230V* | Power cable 3G1,5x 7,5 | Câble électrique 3G1,5x 7,5 |
| | 60442 | Netzleitung 3G1,0x 7,5*CH* *CH* | Power cable 3G1,0x 7,5*CH | Câble électrique 3G1,0x 7,5* |
| 9 | 48421 | Verteilerleiste | Terminal strip | Bornier |
| 10 | 14418 | Schraube Bl- 4,2x13 | SHEET METAL SCREW | VIS PARKER B 4,2 X 13,0 |
| 11 | 25871 | Halter | | |
| 12 | 48309 | Piezo-Piepser | Piezzo buzzer | |
| 13 | 5697 | Lasche | Strap 3x8x33 | Eclisse 3x8x33 |
| 14 | 49594 | E-Motor Turbo 230V 1200W SQ 650-3H *EU*CH*GB,230V* | Suction motor 230V / 1200 | Moteur d'aspiration 230V / 1 |
| | 49598 | E-Motor Turbo 230V 1000W SQ 650-1H *EU*CH*GB,230V* | Suction motor 230V / 1000V | Moteur d'aspiration 230V / 1 |
| 15 | 47035 | Manschette SQ 650-1H | Sleeve | Manchette |
| | 47036 | Manschette SQ 650-3H | Rubber ring | Anneau en caoutchouc |
| 16 | 26775 | Kohlebürsten-Set 'L' bei Kennbuchstabe "L" | Carbon brushes 'L' | Jeu de balai de charbons 'L' |
| | 49625 | Kohlebürsten-Set 'C' bei Kennbuchstabe "C" | Carbon brushes 'C' | Jeu de balai de charbons 'C' |
| 17 | 11254 | Schraube KA3,5x10 | Screw KA3,5x10 | Vis KA3,5x10 |



| POS. | NO. | BEZEICHNUNG | DESCRIPTION | DESIGNATION |
|------|-------|-------------------------|---------------------|----------------------------|
| 1 | 47014 | Dämmplatte SQ 650-3H | Soundproofing liner | Absorbeur |
| 2 | 48414 | Stopfen | Plug | Bouchon |
| 3 | 46640 | Scheibe 16,1x2 | Washer 16,1x2 | Rondelle 16,1x2 |
| 4 | 44239 | Trägerplatte | Carrier plate | Plaque de support |
| 5 | 26792 | Kontaktfeder | Contact spring | Ressort de contact |
| 6 | 11222 | Dichtring | Packing ring | Anneau d'isolation |
| 7 | 11835 | Schwimmer | Float | Flotteur |
| 8 | 46418 | Filterstützkorb | Filter frame | Panier support filtre |
| 9 | 60076 | Filterelement "H" | | |
| 10 | 60241 | Filterspannscheibe | | |
| 11 | 60466 | Steckschlüssel SW 24 | | |
| 12 | 11565 | Schraube KA50x18 | Screw PT 5x18 | Vis autotaraudeuse PT 5x18 |
| 13 | 60245 | Abweiser | | |
| 14 | 11253 | Schraube KA5,0x20 | Screw KA5,0x20 | Vis KA5,0x20 |
| 15 | 54897 | Strömungssensor | | |
| 16 | 11286 | Steckklammer | Spring catch | Clips |
| 17 | 62504 | Scheibe | | |



| POS. | NO. | BEZEICHNUNG | DESCRIPTION | DESIGNATION |
|------|-------|------------------------|-------------------------|---------------------------------|
| 1 | 46134 | Schubbügel | Handlebar | Guidon |
| 2 | 17737 | Schraube Senk- M 6x 40 | Countersunk screw M6x40 | Vis à tête fraisée M6x40 DIN 91 |
| 3 | 12496 | Sicherungsmutter M6 | Nut M6 | Ecrou M6 |
| 4 | 60767 | Lamellenstopfen | | |
| 5 | 65207 | Blende | | |
| 6 | 65209 | Blende | | |
| 7 | 60771 | Skt. Schraube M 6X 12 | | |
| 8 | 60741 | Grundrahmen | | |
| 9 | 46301 | Blende | Sheating | Coffrage |
| 10 | | Mutter M8 DIN 934 | Hexagon nut M8 DIN 934 | Ecrou 6 pans M8 DIN 934 |
| 11 | 11474 | Lenkrolle | Caster D75 | Roulette de guidage D75 |
| 12 | 30738 | Schraube Senk- M 8x 30 | | |
| 13 | 7895 | Kappe | Cap | Capuchon |
| 14 | 48647 | Rad D200 | Wheel D200 | Roue D200 |
| 15 | 47302 | Klemmring | Clamping ring | Rondelle frein |
| 16 | 65213 | Radkappe | | |
| 17 | | Scheibe 21 x3 | Washer 21x3,0 DIN 125 | Rondelle 21x3,0 DIN 125 |



| POS. | NO. | BEZEICHNUNG | DESCRIPTION | DESIGNATION |
|------|-------|---------------------------------------|-------------------------|-----------------------------|
| 1 | 60874 | Filtersack-Sich. SQ6 | | |
| 2 | 60737 | Gürtel | | |
| 3 | 60738 | Gürtel | | |
| 4 | | Skt. Schraube M6x20 DIN 933 A2 | Hexagon cap screw M6x20 | Vis 6 pans M6x20 DIN 933 A2 |
| 5 | | Scheibe B 6,4 A2 | Washer B6,4 DIN 125 A2 | Rondelle B6,4 DIN 125 A2 |
| 6 | 11565 | Schraube KA50x18 | Screw PT 5x18 | Vis autotaraudeuse PT 5x18 |
| 7 | 19880 | Verschußklammer | Spring catch | Crochet de verrouillage |
| 8 | 15889 | Blindniet 4,0x16x8 | Rivet 4,0x16x8 DIN 7337 | Rivet 4,0x16x8 DIN 7337 |
| 9 | 60739 | Schmutzbehälter | | |
| 10 | 29191 | Dichtring | Packing ring | Anneau d'isolation |
| 11 | 46223 | Ring | Ring | Entretoise |
| 12 | 60059 | Fitting DN50 | | |
| 13 | 46948 | Saugschlauch 36x 3000 SQ 650-1H | Suction hose D36x3000mm | Tuyau d'aspiration D36x3000 |
| 14 | 15102 | Schlauchmuffe D 36 SQ 650-1H | Hose socket | Manchon |
| 15 | 46690 | Schlauchmuffe D 36 SQ 650-1H | Hose socket DN 36 | Manchon DN 36 |
| 16 | 5067 | Schrägrohrdüse SQ 650-1H | Rubber nozzle | Embout en caoutchouc |
| 17 | 46691 | Handrohr gebogen, VA SQ 650-1H | | |
| 18 | 15325 | Saugschlauch 27x 3500 As SQ 650-3H | Suction hose | Tuyau d'aspiration |
| 19 | 15369 | Schlauchmuffe D 27 SQ 650-3H | Hose socket DN 27 | Manchon DN 27 |
| 20 | 18195 | Schlauchmuffe D 27 SQ 650-1H | Hose socket DN 27 | Manchon DN 27 |

NOTIZEN

