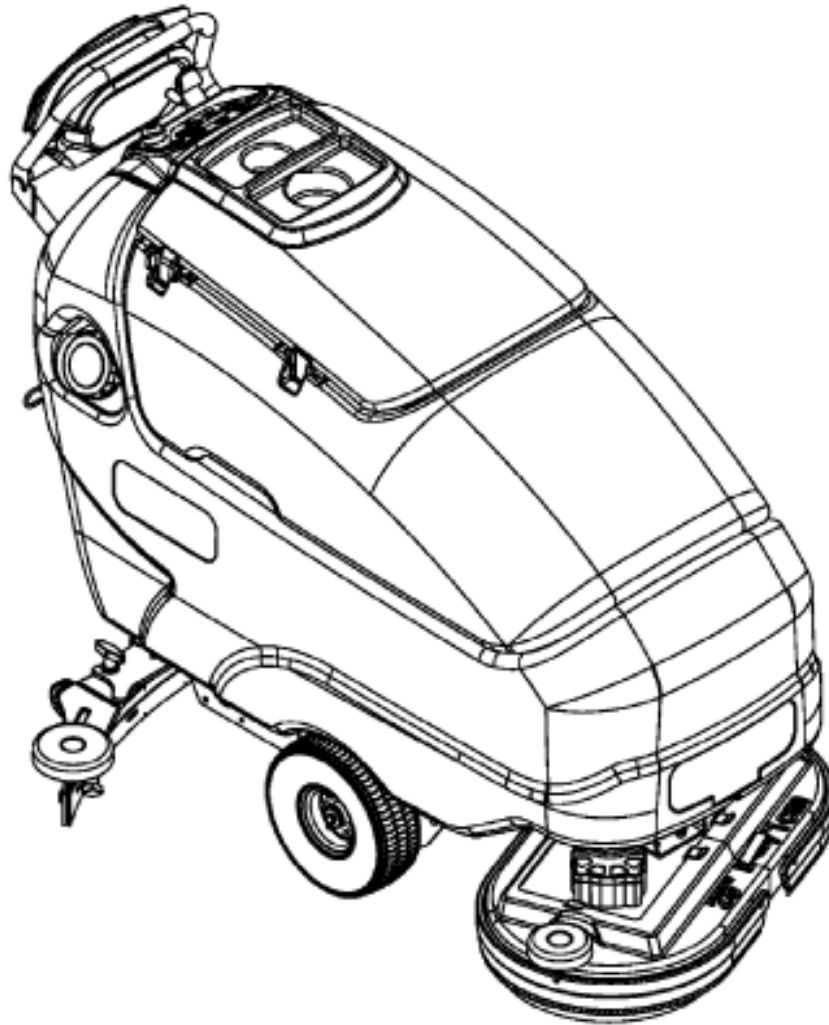


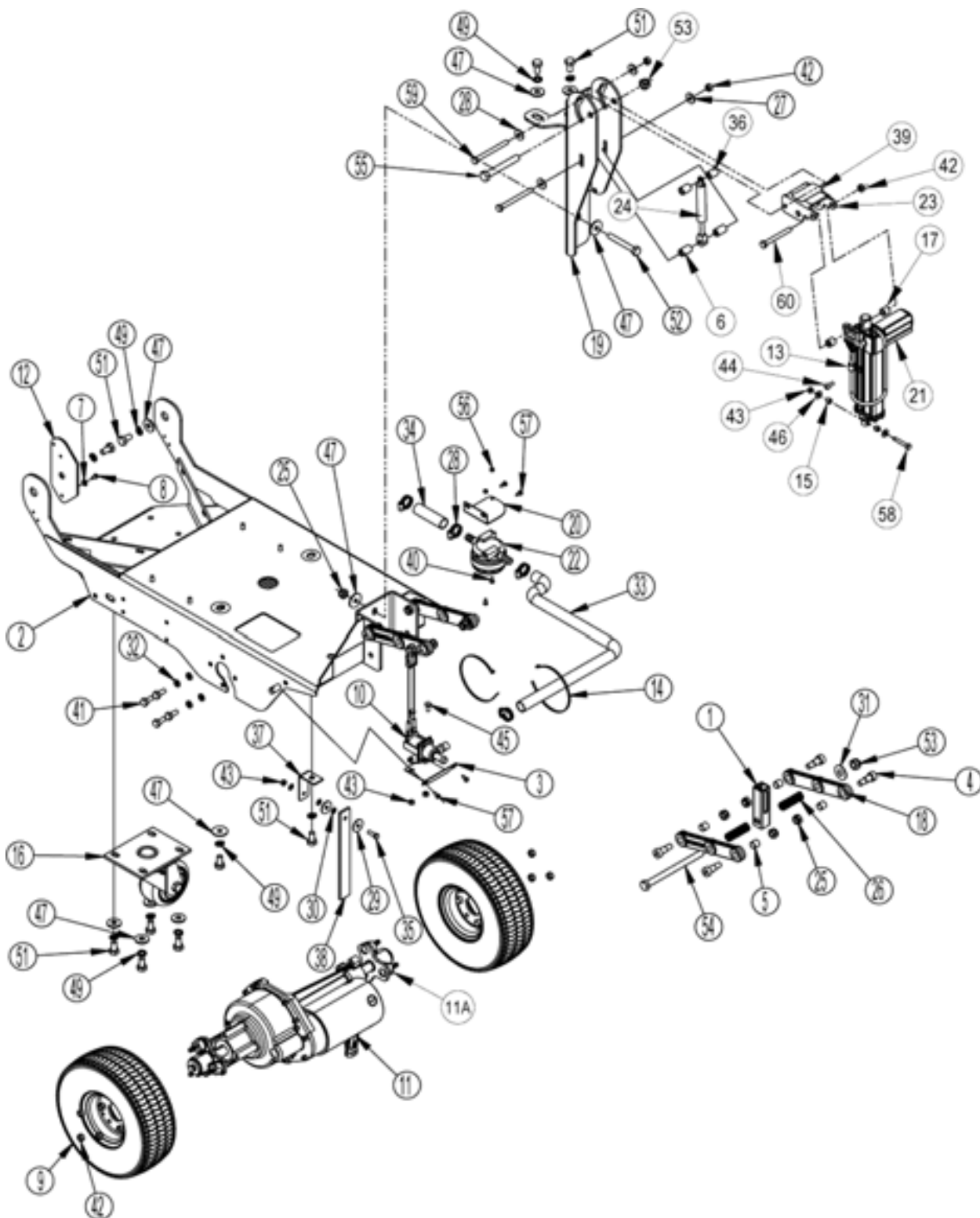
PARTS LIST



2022.07.27

TABLE OF CONTENTS

Chassis System (Disk).....	1
Chassis System (Cylindrical).....	4
Control System.....	7
Decal System.....	9
Electrical System.....	11
Recovery System.....	14
Scrub System (Disk).....	16
Scrub System (Cylindrical).....	19
Solution System.....	21
Squeegee Assembly.....	23
Squeegee System.....	25
Ladder Diagram After June 2014.....	27
LADDER DIAGRAM BEFORE SN4000068715.....	29
Optional Kits and Accessories.....	31
RECOMMENDED SPARE PARTS.....	34
Brush Selector Guide - Disk.....	38
Brush Selector Guide - Cylindrical.....	40
56112245 - Onboard Charger Kit-EU.....	42
56112140 - Wet Floor Sign Holder Kit.....	44
56112221 - Parking Brake Kit.....	46
56112265 - Kit, 26" Disc Deck 24V.....	48
56112266 - Kit, 28" Disc Deck 24V.....	50
56112267 - Kit, 28" Cylindrical Deck 24V.....	52
56112279 - Kit, 34" Disc Deck 24V.....	54
56112280 - Kit, 32" Cylindrical Deck 24V.....	56
56112138 - Laser Kit.....	58
56112141 - Vacuum Wand with Tote Bag Kit.....	60
56112244 - Chemical Injection Kit.....	62
56112351/56112352 - Control Panel Kits.....	64
56383745 - TRACKCLEAN SC800 KIT-EU.....	66
56383808 - TRACKCLEAN SC800 KIT-EU.....	68

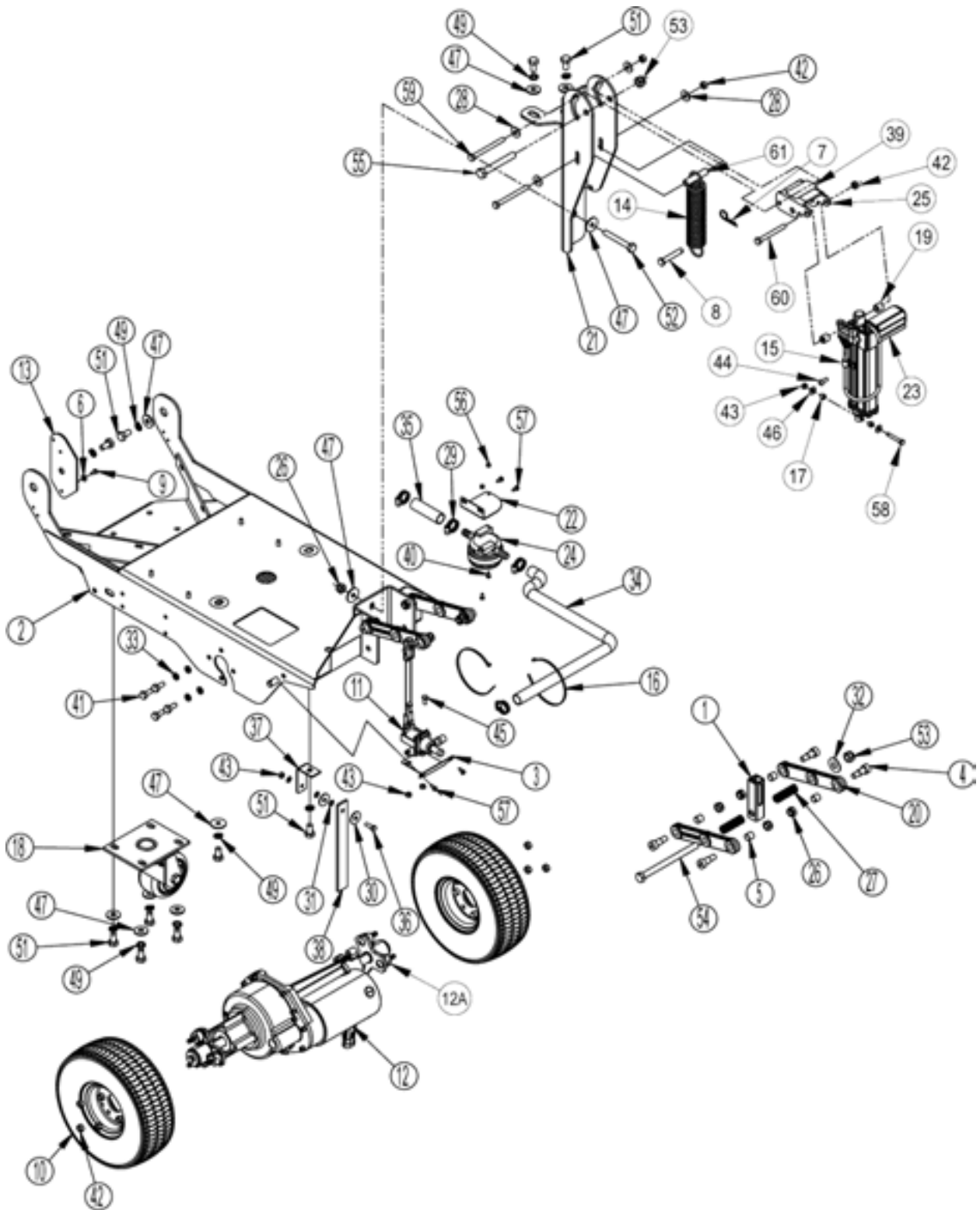


Pos.	Artikel-Nr.	Menge	Variante	Notes
1	56109717	1	TUBE JACK MOTOR	
2	56112765	1	CHASSIS WELDT	
3	61932A	1	PLATE SOLUTION SYSTEM SUPPORT	
4	56003883	8	SCR-SOC SHD M12X16MMX M10-1.50	
5	56112548	8	BUSHING	
6	909 6113 000	2	SPACER 8.2X15 H.23.8 GALV.	
7	56001954	1	WSH FLT SAE 10	
8	56009030	1	Schraube 10-2	
9	56112109	2	Reifen	
10	56112147	1	Magnetventil	
11	56112543	1	TRANSAXLE	
11A	56382670	1	KIT TRANSAXLE MOTOR	[1]
11A	40628A	4	Kohlebürste	[2]
11A	56380158	2	Flanschkit	[2]
12	56112768	1	CONNECTOR BRKT	
13	56323260	1	Kabelbriede zu BR 1000	
14	56478523	1	Kabelbinder	
15	1467037000	2	SPACER 6.1X10X6.5 PKD	
16	56112308	1	Lenkrolle	
17	909 6112 000	2	SPACER D.8.2X15 H.14 GALV.	
18	9097197000	4	LEVER	
19	9097368000	1	Hubunterstützung	
20	9097370000	1	Halter Wasserfilter	
21	40280A	1	ACTUATOR BOOST 32	
22	9100000860	1	Wasserfilter	
22	9100000861	1	NET WATER FILTER REINFORCED PKD	[3]
23	9097456000	1	Hebel	
24	54689A	1	GAS SPRING 500N	
25	80223A	9	NUT M10-1.5 NYLOCK	
26	E04016	2	SPRING	
27	56002220	4	WSH FLT CUT 5/16	
28	56219932	4	Briede	
29	980205	2	Scheibe	
30	980614	3	U-Scheibe	
31	56001879	1	U-SCHEIBEN	
32	980652	8	Scheibe LK 5/16 REG	
33	30828A	1	Schlauch	
34	30829A	1	Schlauch	
35	56002454	1	SCR SOC HD 10-24 X 1.50	[4]
36	61937A	2	SPACER	
37	61949A	1	BRACKET GROUND STRAP	
38	69639A	1	Statikband (FUSION)	
39	71017A	1	Aufkleber	
40	80057A	2	Schraube M4.7x10 PN SS	
41	56003179	8	Schraube HEX THD/HD M8-1,	
42	80198A	9	Mutter M8-1.25 HEX Nylon	
43	80199A	4	NUT M6-1 HEX NYLON LOCK S.S.	
44	80208A	1	Schraube M6x1,0 x 10mm	
45	56003211	2	Schraube HEX HDSS	
46	87026A	2	Scheibe .250	[5]
47	87054A	10	Dichtungsscheibe .375	
49	88612A	10	WASHER M10 LOCK	
51	56003483	10	SCR-HEX M10-1.5 X 20MM	
52	88616A	1	SCREW M10-1.5 X 75MM HEX	
53	56003312	2	Stoppmutter M12 1.75	
54	88619A	1	Schraube M12	
55	88620A	1	SCREW M12-1.75 X 90MM HEX	
56	88623a	2	Mutter M4	
57	88624A	4	SCREW M5 X 12MM HEX TRILOBE	

Pos.	Artikel-Nr.	Menge	Variante	Notes
58	88626A	1	SCREW M6-1 X 40MM HEX	
59	56003390	2	Schraube, HEXM8x1,25x90mm	
60	88635A	1	SCREW M8-1.25 X 75MM HEX	

Part Notes:

- [1] - (for 56112543) (M1)
- [2] - (for 56112543)
- [3] - (for 9100000362)
- [4] - GUARANTEE DATE EXPIRED
- [5] - EXPIRED USE 56002859

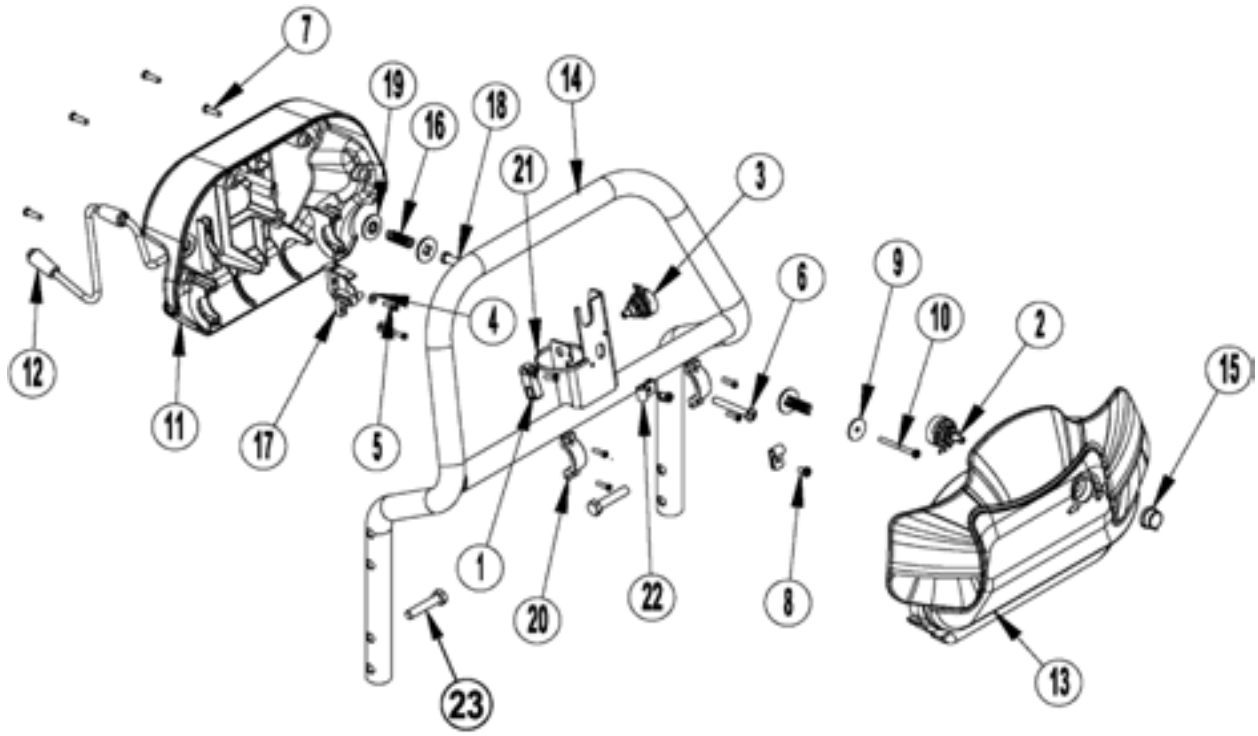


Pos.	Artikel-Nr.	Menge	Variante	Notes
1	56109717	1	TUBE JACK MOTOR	
2	56112765	1	CHASSIS WELDT	
3	61932A	1	PLATE SOLUTION SYSTEM SUPPORT	
4	56003883	8	SCR-SOC SHD M12X16MMX M10-1.50	
5	56112548	8	BUSHING	
6	56001954	1	WSH FLT SAE 10	
7	56002959	1	Splint zu BA 500	
8	56003656	1	"Bolzen 0.375" x 2.25"	
9	56009029	1	SCR PANPHIL THD FORM10-24	
10	56112109	2	Reifen	
11	56112147	1	Magnetventil	[1]
12	56112543	1	TRANSAXLE	[2]
12A	56382670	1	KIT TRANSAXLE MOTOR	[3]
12A	56380158	2	Flanschkit	[4]
12A	40628A	4	Kohlebürste	[4]
13	56112768	1	CONNECTOR BRKT	
14	56422075	1	SPRING EXTENSION	
15	56323260	1	Kabelbriede zu BR 1000	
16	56478523	1	Kabelbinder	
17	1467037000	2	SPACER 6.1X10X6.5 PKD	
18	56112308	1	Lenkrolle	
19	909 6112 000	2	SPACER D.8.2X15 H.14 GALV.	
20	9097197000	4	LEVER	
21	9097368000	1	Hubunterstützung	
22	9097370000	1	Halter Wasserfilter	
23	40280A	1	ACTUATOR BOOST 32	
24	9100000861	1	NET WATER FILTER REINFORCED PKD	[5]
24	9100000860	1	Wasserfilter	
25	9097456000	1	Hebel	
26	80223A	9	NUT M10-1.5 NYLOCK	
27	E04016	2	SPRING	
28	56002220	4	WSH FLT CUT 5/16	
29	56219932	4	Briede	
30	980205	2	Scheibe	
31	980614	3	U-Scheibe	
32	56001879	1	U-SCHEIBEN	
33	980652	8	Scheibe LK 5/16 REG	
34	30828A	1	Schlauch	
35	30829A	1	Schlauch	
36	56002454	1	SCR SOC HD 10-24 X 1.50	[6]
37	61949A	1	BRACKET GROUND STRAP	
38	69639A	1	Statikband (FUSION)	
39	71017A	1	Aufkleber	
40	80057A	2	Schraube M4.7x10 PN SS	
41	56003179	8	Schraube HEX THD/HD M8-1,	
42	80198A	9	Mutter M8-1.25 HEX Nylon	
43	80199A	4	NUT M6-1 HEX NYLON LOCK S.S.	
44	80208A	1	Schraube M6x1,0 x 10mm	
45	56003211	2	Schraube HEX HDSS	
46	87026A	2	Scheibe .250	[7]
47	87054A	10	Dichtungsscheibe .375	
49	88612A	10	WASHER M10 LOCK	
51	56003483	10	SCR-HEX M10-1.5 X 20MM	
52	88616A	1	SCREW M10-1.5 X 75MM HEX	
53	56003312	2	Stoppmutter M12 1.75	
54	88619A	1	Schraube M12	
55	88620A	1	SCREW M12-1.75 X 90MM HEX	
56	88623a	2	Mutter M4	
57	88624A	4	SCREW M5 X 12MM HEX TRILOBE	

Pos.	Artikel-Nr.	Menge	Variante	Notes
58	88626A	1	SCREW M6-1 X 40MM HEX	
59	56003390	2	Schraube, HEXM8x1,25x90mm	
60	88635A	1	SCREW M8-1.25 X 75MM HEX	
61	56112520	1	SPACER	

Part Notes:

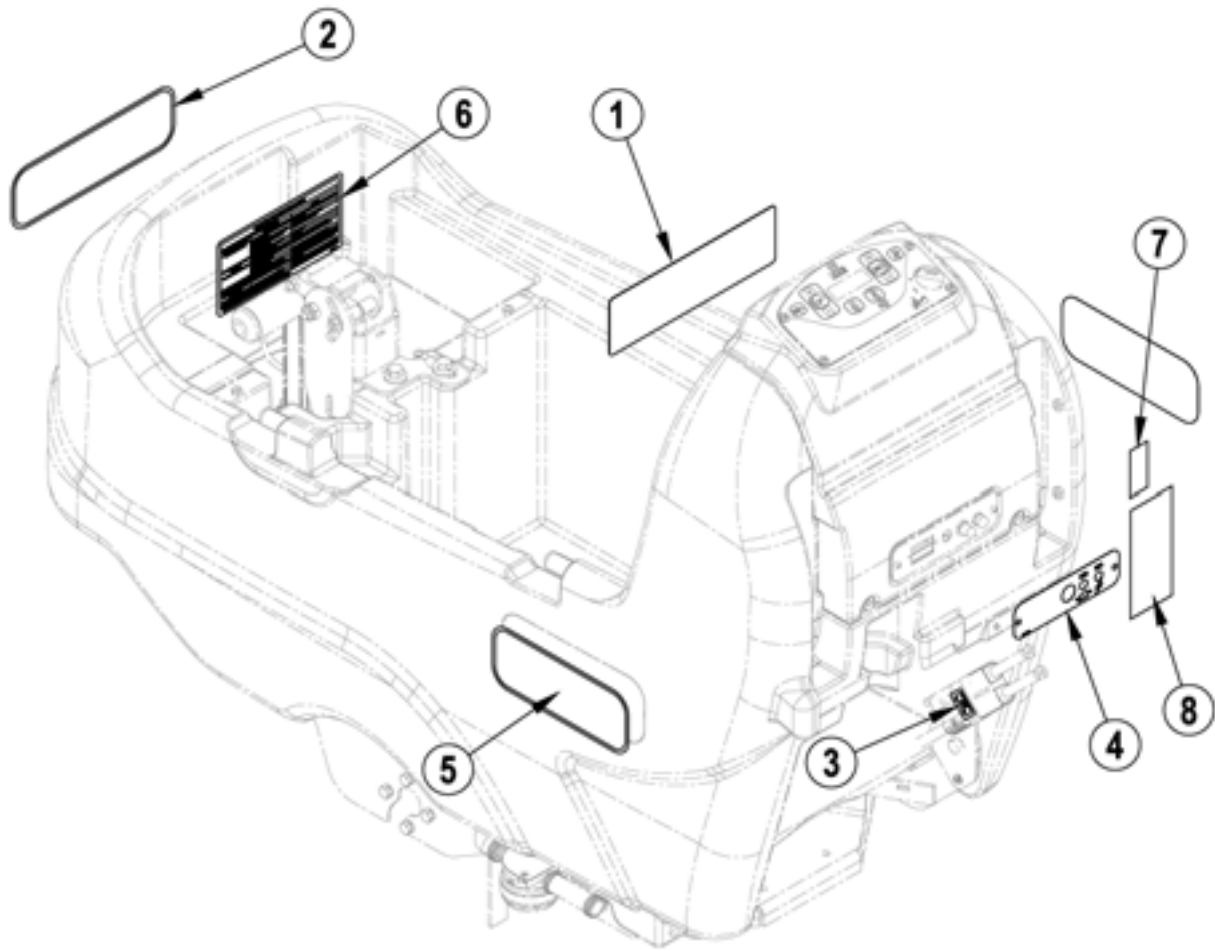
- [1] - L1
- [2] - replaces 56112343
- [3] - (for 56112543) (M1)
- [4] - (for 56112543)
- [5] - (for 9100000362)
- [6] - GUARANTEE DATE EXPIRED
- [7] - EXPIRED USE 56002859



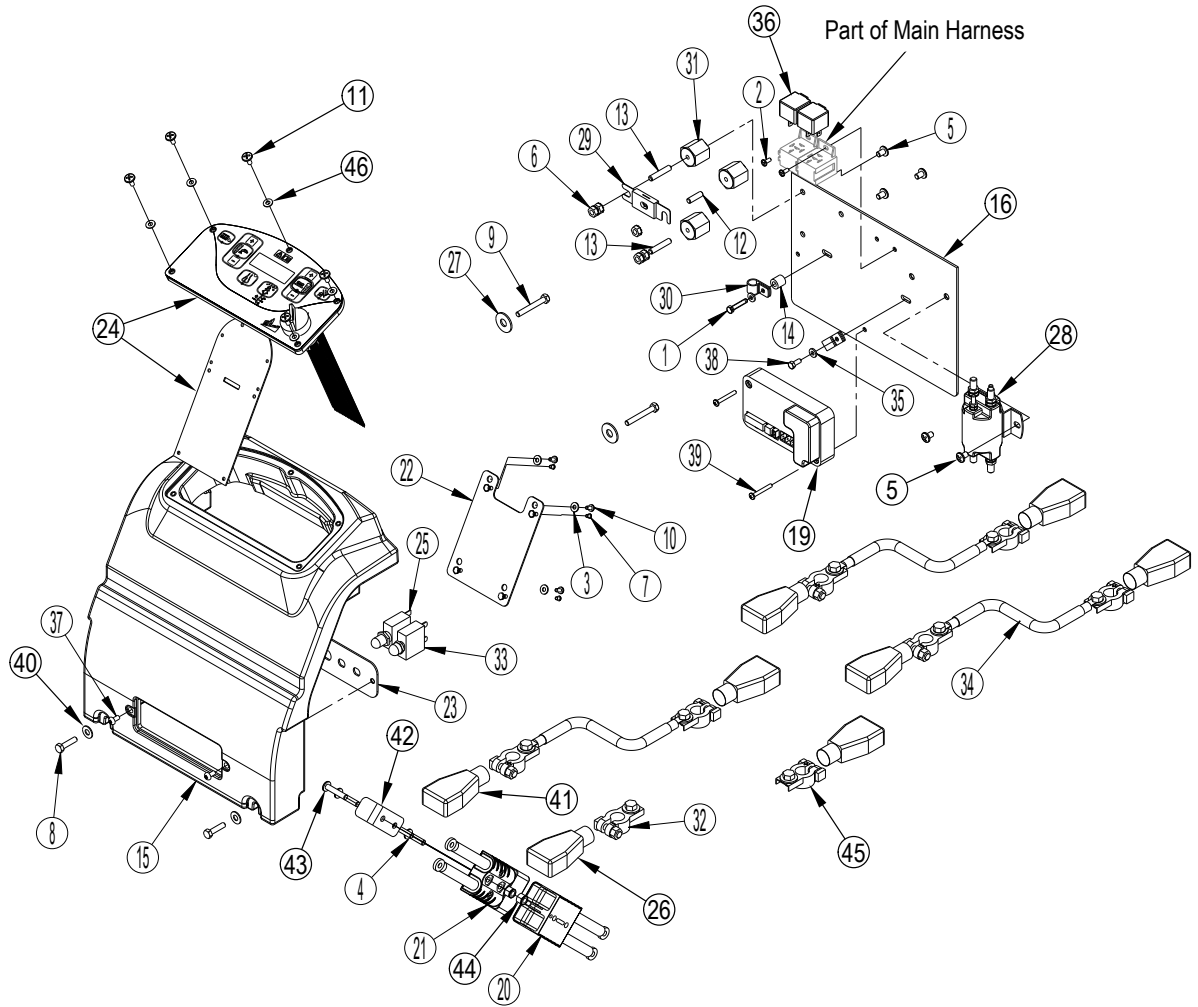
Pos.	Artikel-Nr.	Menge	Variante	Notes
	56383361	1	PADDLE-ASSY	[1]
	56112218	1	PADDLE ASSY	[2]
1	56109648	1	Potentiometergabel	
2	56396197	1	Potentiometer 100K	[3]
3	56397029	1	Potentiometer 5K	[4]
4	56002006	2	WSH FLT SAE 6	
5	56003197	7	Schraube	
6	56003527	1	SCR PAN PHIL PLAS 1/4-10X2.0	
7	56003545	4	SCR PAN PHIL PLASTITE8 10X.75	
8	56009030	2	Schraube 10-2	
9	56009096	1	Scheibe zu BR 1000	
10	56009287	1	Schraube B8 X	
11	56109716	1	Abdeckung	
12	56383358	1	HARNESS-PADDLE	[5]
12	56112179	1	Kabelstrang	[6]
13	56315230	1	Bedienteilabdeckung	
14	56112767	1	WELDMENT-HANDLE BAR	
15	56315280	1	Knob	
16	56325654	2	Feder	
17	56397015	1	Nockensteuerung BA550/650	
18	56397109	1	Hülse BA 650	
19	56397170	3	Scheibe plastik	
20	56397171	2	Klammer	
21	56478246	1	CABLE TIE E00549 RE438BA	
22	56481890	2	CLAMP CABLE .250 E00129	
23	56002094	4	SCR HEX HD 5/16-18 X 1.50	

Part Notes:

- [1] - (1-22) Only used on machines after serial number 4000068714
- [2] - (1-22) Only used on machines after serial number 4000068714.
- [3] - R2
- [4] - R1
EXPIRED USE 56454740
- [5] - Only used on machines after serial number 4000068714.
- [6] - Only used on machines before serial number 4000068715.



Pos.	Artikel-Nr.	Menge	Variante	Notes
1	56014601	1	DECAL, CAUTION	
2	56016731	1	Aufkleber Nilfisk	
3	56054192	1	DECAL, CHARGER	
4	56112168	1	DECAL-CIRCUIT BREAKER	
5	56112531	2	DECAL-NILFISK SC800	
5	56112532	2	DECAL-NILFISK SC800 ECOFLEX	
6	56112292	1	DECAL-ERROR CODES	
7	71362A	1	LABEL NFSI	
8	56112539	1	DECAL-WARNING/WIRING	

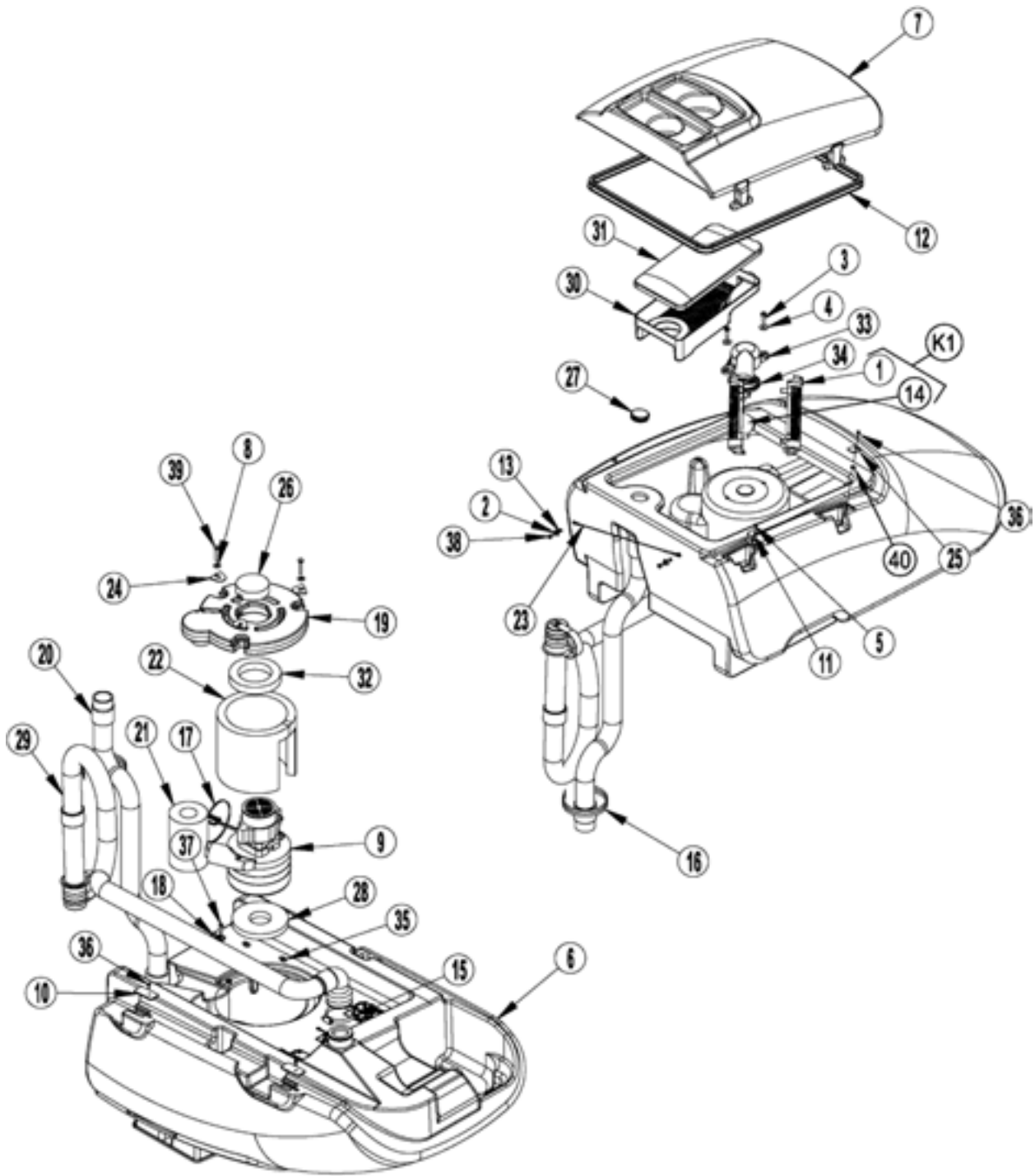


Pos.	Artikel-Nr.	Menge	Variante	Notes
1	33003964	1	Schraube M5x25	
2	56001818	2	SCR PAN PHIL 8-32 X .38	
3	56002140	4	WSH FLT SAE 8	
4	56002292	2	Schraube 1/4 20x 1.00	
5	56002462	5	SCR PAN PHIL 1/4-20X0.38	
6	56002561	5	NUT HEX W/SHRPF 1/4/20	
7	56003336	4	SCR PAN PHIL BLK 6-32 X .19	
8	56003695	2	Schraube M6	
9	56003631	2	SCR HEX M6-1.0 X 45MM	
10	56003653	4	Stift	
11	56003808	5	SCR-TRUSS PHIL BLK M5-0.8X12MM	
12	56009020	1	Stiftschraube 1/4-20x.88	
13	56009203	2	STUD, 1/4-20X1.31	
14	56046309	1	U-Scheibe	
15	56112112	1	CONTROL PANEL	
16	56112115	1	ELECTRICAL PANEL	
17	56112169	1	CABLE-JUMPER	
18	56383891	1	HARNES-MAIN	[1]
18	56112174	1	HARNES-MAIN	[2]
19	56112187	1	Geschwindigkeitsregler	[3]
20	56112188	1	Batteriekabel	
21	56112189	1	Batteriekabel	
22	56112535	1	BRACKET-PCB MOUNT	
23	56383359	1	PLATE-CIRCUIT BREAKER	[4]
24	56112351	1	Bedienfeld - Kit AXP	[5]
24	56303526	1	Schlüssel, 2Stk.	[6]
24	56303553	1	KEY SWITCH ASSEMBLY	
24	56112253	1	KIT-INTERFACE PANEL	[7]
25	56315256	1	CIRCUIT BREAKER 30 AMP	[8]
26	2-00-05173	4	BAT TERMINAL COVER BLK	
27	56385358	2	WSH FLT ZN .392 CL267B E00458	
28	56397088	1	Relais Bürstenmotor 24Vzu BA 550/650	[9]
29	56412089	1	FUSE 150 AMP	[10]
30	56442011	2	CLAMP CABLE .438 E00129	
31	56469858	3	INSULATED STANDOFF	
32	910000883	4	CLAMP BATTERY MINUS 2 PCS SET	
33	56507644	1	CIRCUIT BREAKER 10 AMP	[11]
34	56409485	3	CABLE ASSY.1 X 15.00	
35	980643	2	7/16ODX.036THK Unterlegsc	
36	41075A	2	Relais Saugmotor	
37	56003346	2	SCR PAN PHIL M5 X 10.0	[12]
38	80249A	1	6-kantschraube M5x0.8x12	
39	80380A	2	SCREW 8-32 X 1-1/4 PH	
40	87026A	2	Scheibe .250	[13]
41	2-00-05171	4	BAT TERMINAL COVER RED	
42	56112354	1	HANDLE	
43	56002825	2	SCR PAN PHIL 1/4-20 X 1.2	
44	56002708	2	Stopmutter 1/4-20	
45	910000882	4	CLAMP BATTERY PLUS 2 PCS SET	
46	56384075	5	WASHER-BLACK NYLON-6/6	

Part Notes:

- [1] - Only used on machines after serial number 4000068714.
- [2] - Only used on machines before serial number 4000068715.
- [3] - (A2)
- [4] - Circuit Breaker Plates 56112122 and 56112540 are obsolete and have been replaced by 5638359.
- [5] - 56112351/56112352 - Control Panel Kits
- [6] - for 56303553
- [7] - (MEMBRANE SWITCH, MEMBRANE PANEL, GASKET)

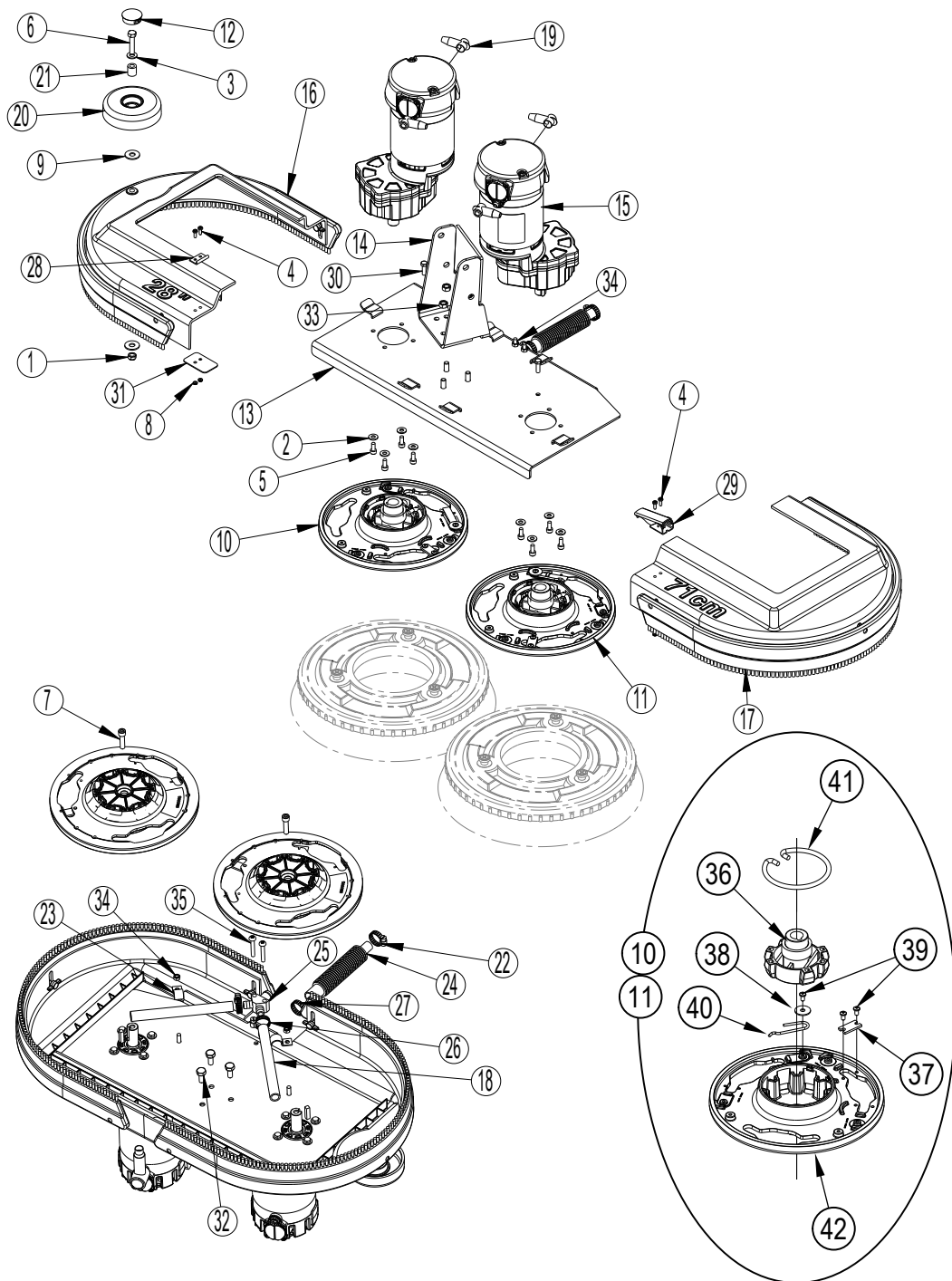
- [8] - (CB1)
- [9] - (K2)
- [10] - (F1)
- [11] - (CB2)
- [12] - Closed SEE MI-SP-007
- [13] - EXPIRED USE 56002859



Pos.	Artikel-Nr.	Menge	Variante	Notes
1		2	Cage, Float	[1]
2	56001954	2	WSH FLT SAE 10	
3	56003896	2	SCR-PAN PHIL SS M6-1.0 X 20MM	
4	56003638	2	WSH FLT SS M6	
5	56003823	1	SCR-FLT PHIL SS M4-0.7 X 8MM	
6	56112102	1	Tank kpl.	
7	56112103	1	RECOVERY LID	
8	87026A	3	Scheibe .250	[2]
9	56384102	1	Saugmotor 24V	[3]
9	56397098	1	Kohlebürste (Set)	[4]
10	56112293	2	RETAINER PLATE	
11	56112296	1	RETAINER PLATE	
12	56112297	1	Dichtung	
13	56151092	2	Bushing	
14		1	Ball, Float	[5]
15	56440213	2	Schlauchbride	
16	56477613	2	Kabelbändli 7x380mm	
17	56478523	1	Kabelbinder	
18	56323260	2	Kabelbride zu BR 1000	
19	9100001246	1	COVER VACUUM MOTOR PKD	
20	56112316	1	Schlauch	
21	909 6442 000	1	Geräuschdämmung f.	
22	909 6491 000	1	Panel, schalldämpfend	
23	909 6634 000	1	Deckelsicherung	
24	909 6638 000	3	Platte für Deckel	
25	909 6643 000	1	Plättchen	
26	56344168	1	Filter	
27	1466138000	1	CAP BLACK PPL DE 42X11.5 PKD	
28	9096918000	1	Dichtung f. Motor	
29	56112310	1	DRAIN HOSE-RECOVERY	
30	9097384000	1	Grobschmutzbehälter	
31	9097477000	1	Deckel zu Grobschmutzbehälter	
32	9097555000	1	Dichtung	
33	9097587000	1	Korb f. Schwimmerventil	
34	9100000928	1	GASKET FLOAT SUPPORT PKD	
35	9097589000	2	NUT JAW M6X6 SS	
36	80057A	3	Schraube M4.7x10 PN SS	
37	80208A	2	Schraube M6x1,0 x 10mm	
38	80363A	2	Schraube M5.8x12 BT	
39	56003420	3	SCR HEX M6-1.0 X 35MM	
40	909 6679 000	1	Dichtflansch	
K1	56112303	1	Schwimmerventilkit	[6]

Part Notes:

- [1] - K1 - CAGE, FLOAT
- [2] - EXPIRED USE 56002859
- [3] - (M5)
- [4] - (for 56112239)
- [5] - K1 - BALL, FLOAT
- [6] - K1



Pos.	Artikel-Nr.	Menge	Variante	Notes
1	56002851	1	Mutter NYL LOC-THIN SS5/	
2	56002859	8	Mutter SS 1/4	
3	56002938	1	WSH FLT SAE SS 5/16	
4	56003948	4	SCR-PAN PHIL SS M4-0.7 X 12MM	
5	56003425	8	SCR SOC SS M6-1X14MM	
6	56003455	1	HEX HD SS 5/16-18 X 1.5	
7	56003798	2	Schraube 5/16 18 X 1.25	
8	56003949	4	NUT-HEX NYL LOC SS M4-0.7	
9	56009213	2	SH, FLT .382x1.0x.075	
10	56109651	1	Bürstenplatte	[1]
11	56109652	1	Bürstenplatte	[1]
12	56111444	1	Deckel f. Rad	
13	56112757	1	BRUSH PLATE WELDT 26D	[2]
13	56112759	1	BRUSH PLATE WELDT 34D	[3]
14	56112523	1	Gabel	
15	56112242	2	CARBON BRUSH KIT	[4]
15	56112240	2	MOTOR GEARBOX ASSY	[5]
16	56112261	1	BRUSH SKIRT ASSY-34D LEFT	[6]
16	56112259	1	BRUSH SKIRT ASSY-28D LEFT	[2]
17	56112262	1	BRUSH SKIRT ASSY-34D RIGHT	[6]
17	56112307	1	Bürstenkranz 34	[7]
17	56112306	1	KIT-BRISTLE SKIRT 28	[8]
17	56112260	1	BRUSH SKIRT ASSY-28D RIGHT	[2]
18	30453A	2	Schlauch, Vinyl,	[6]
18	56397207	2	HOSE PVC .500X7.00 E00199	[2]
19	56409538	4	Isolator	
20	56601450	1	Rad 4,00 Od	
21	56601499	1	Buchse	
22	56219932	1	Briede	
23	782002	2	Klemme-Anschlussstück	
24	30412A	1	Saugschlauch	
25	38014A	1	Verteiler, Frischwasser	
26	50248A	2	Schlauschelle 3/8	
27	53571A	1	Schlauschelle	
28	55451A	1	Bürstenhalter, Gehäuse	
29	56115427	1	LATCH ASSEMBLY	
30	56002454	2	SCR SOC HD 10-24 X 1.50	[9]
31	69186A	1	Lasche, Verriegelung,	
32	56003435	3	Schraube M8-1.25 x 2	
33	80198A	3	Mutter M8-1.25 HEX Nylon	
34	80199A	4	NUT M6-1 HEX NYLON LOCK S.S.	
35	56003950	2	SCR-PAN PHIL SS M6-1.0 X 35MM	
36	56112521	1	Schraubenstützlager	
37	56366455	1	Platte zu BR 1000	
38	56009002	1	UNTERLEGSCHIEBE, FLACH	
39	56009247	3	SCR PN PHIL PLASTITE 10-14X.38	
40	56109653	1	Klemmfeder	
41	56601056	1	Sicherungsring	
42	56601118	1	Bürstenplatte	

Part Notes:

- [1] - 36-43
[2] - SC800-71

[3] - SC800-86

NOTE 1: On machines before April 2015, the machines design allowed the Motor Gearbox Assy to interfere with the Recovery Tank causing blown/shorted fuses

and broken electrical stud connections.

NOTE 2: On machines after March 2015, Brush Plate Weldt 34D 56112759 was modified by rotating the Motor Gearbox Assy mounting holes 25 degrees to

allow for a non-interfering motor positioning.

[4] - (for 56112240)

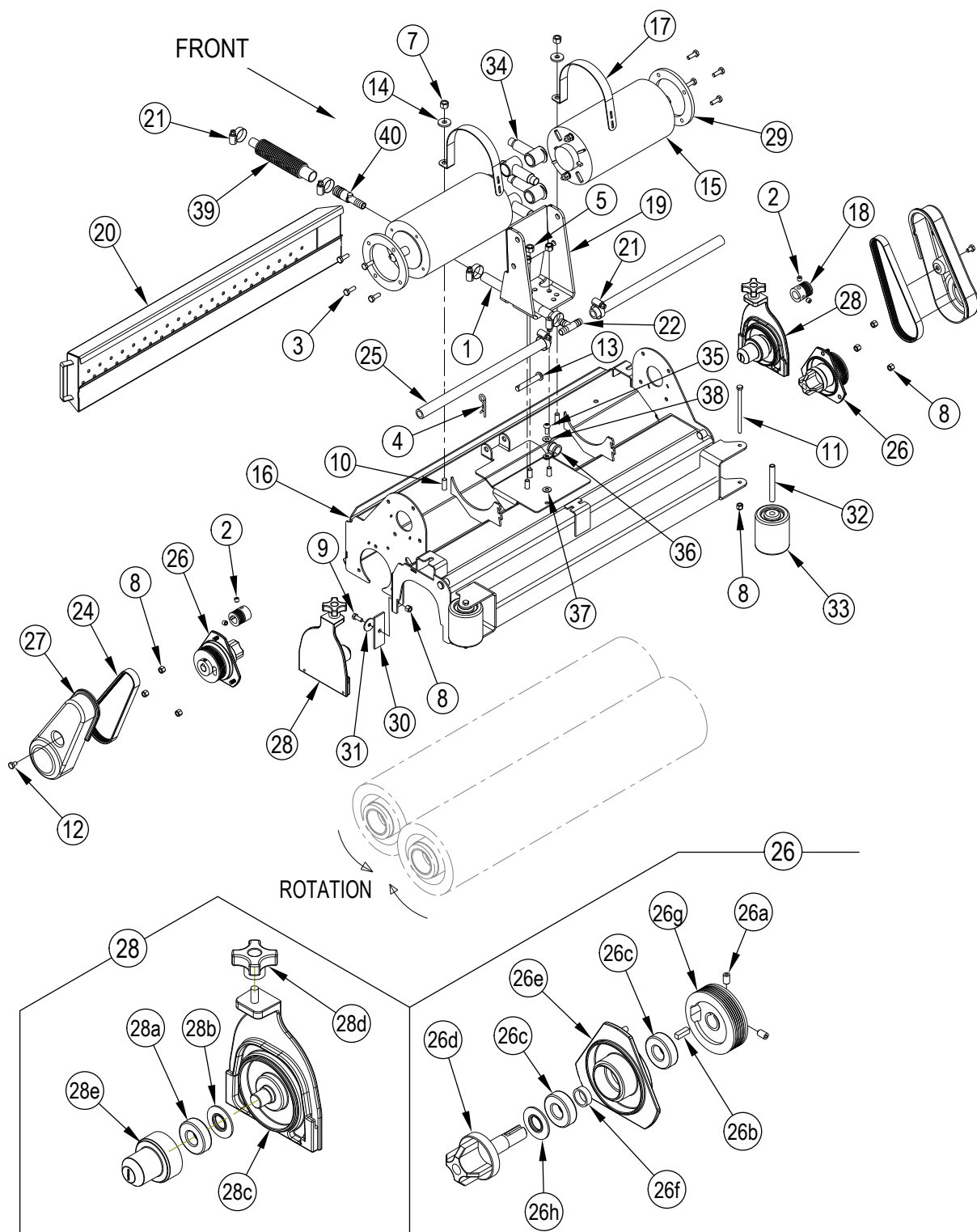
[5] - M3 / M4

[6] - SC800-86

[7] - SC800-86/ INCLUDES TWO SKIRTS AND MOUNTING HARDWARE - NOT SHOWN

[8] - SC800-71/ INCLUDES TWO SKIRTS AND MOUNTING HARDWARE - NOT SHOWN

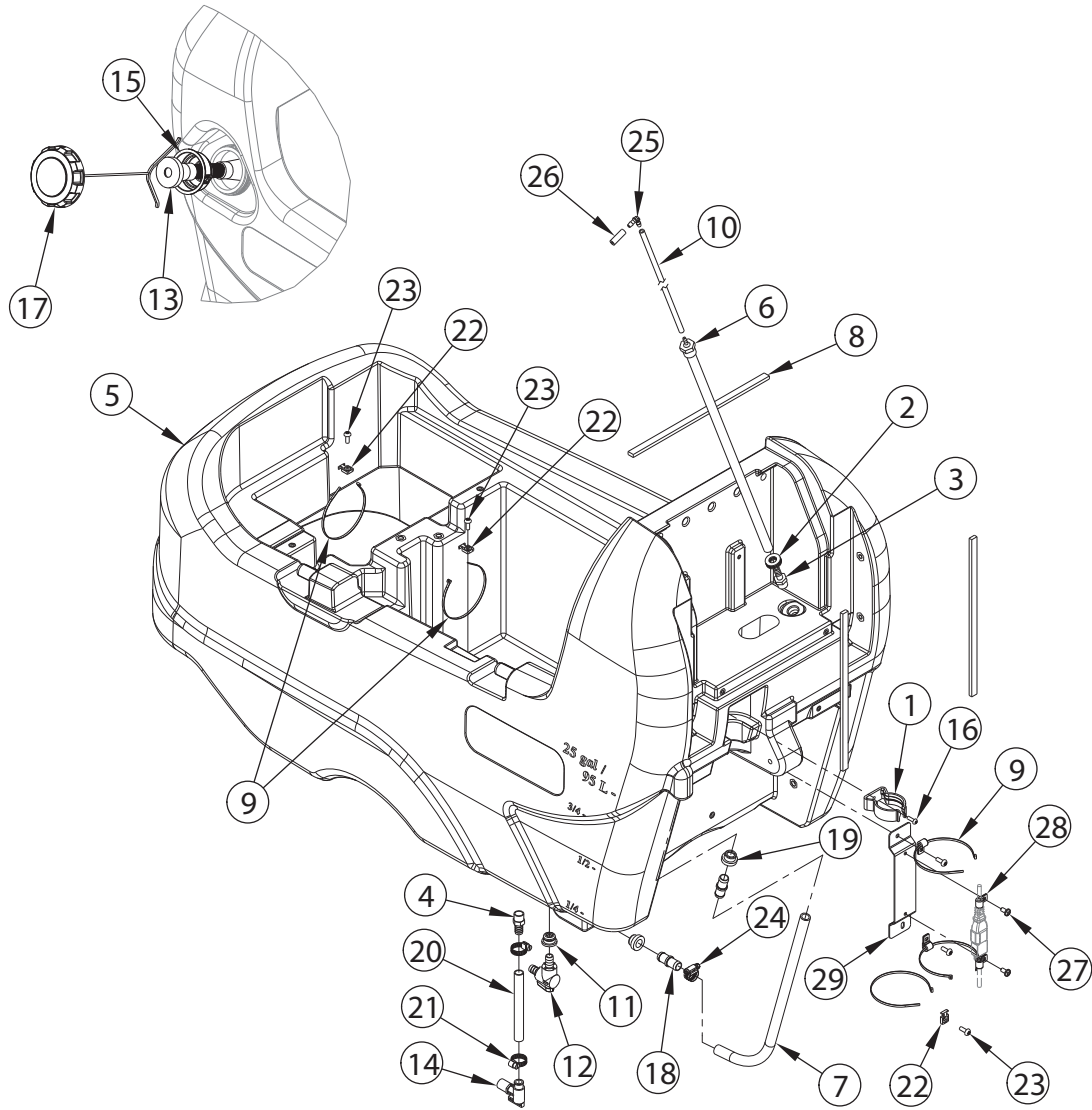
[9] - GUARANTEE DATE EXPIRED



Pos.	Artikel-Nr.	Menge	Variante	Notes
1	56397207	1	HOSE PVC .500X7.00 E00199	
2	56002086	4	Madenschraube	
3	56002948	8	Schraube 1/4-20 X .75	
4	56003222	1	"Splint 0.125" x 0.5"	
5	56003389	3	MutterHEX NYL LOC M8-1.25	
7	56003405	2	Stopmutter M8 Inox	
8	56003426	10	Stoppmutter M6 Inox	
9	56003431	2	Schraube M6 x 16	
10	56003436	2	Schraube Hex HDss M8-1.25	
11	56003939	2	SCR-HEX SS M6-1 X 95MM	
12	56009019	2	Schraube 1/4-20x.38	
13	56003656	1	"Bolzen 0.375" x 2.25"	
14	56009122	2	Unterlegscheibe	
15	56112111	2	MOTOR-24 VDC 3/4HP	[1]
	56412257	1	BRUSH CAP ASSY	[2]
16	56112760	1	BRUSH HOUSING WELDT-28	
17	56112165	2	STRAP-MOTOR	
18	56112166	2	SHEAVE-POLY-V	
19	56112523	1	Gabel	
20	56112762	1	HOPPER WELDT-28	
21	56112771	6	CLAMP HOSE SAE 10	
22	56262549	1	Aufsatz	
24	56315321	2	Riemen Poly-V Walzenbürste	
25	56315355	2	MANIFOLD PVC 28	
26	56115318	2	DRIVE END ASSY	
26a	56002930	2	Madenschraube BR 1300 S	
26b	56003237	1	Keil 19x.62	
26c	56106070	2	BEARING BALL Z22	
26d	56115319	1	SPINDLE-LONG	[3]
26e	56381765	1	Lagerplatte	
26f	56407389	1	Distanzbüchse	
26g	56115316	1	SHEAVE-POLY V	[3]
26h	56407558	1	Scheibe zu BR 850	
27	56115314	2	Riemen-Abdeckung	
28	56115344	2	IDLER END ASSY	
28a	56106070	1	BEARING BALL Z22	
28b	56407558	1	Scheibe zu BR 850	
28c	56315447	1	Spannradträger	
28d	56407303	1	Rändelmutter	
28e	56115273	1	Abdeckung Lager	
29	56316197	2	PLATE MOTOR SPACER	
30	56407391	2	Spritzschutz vorne/hinten	
31	56009060	2	SCHEIBE-U	
32	56412176	2	Lager	
33	56412459	2	Rad	
34	56409538	4	Isolator	
35	56002066	1	Schraube	
36	54779A	1	CLAMP P 5/8	
37	56009064	1	Unterlegscheibe	
38	87026A	1	Scheibe .250	[4]
39	30412A	1	Saugschlauch	
40	56315625	1	Verbindungsstück	

Part Notes:

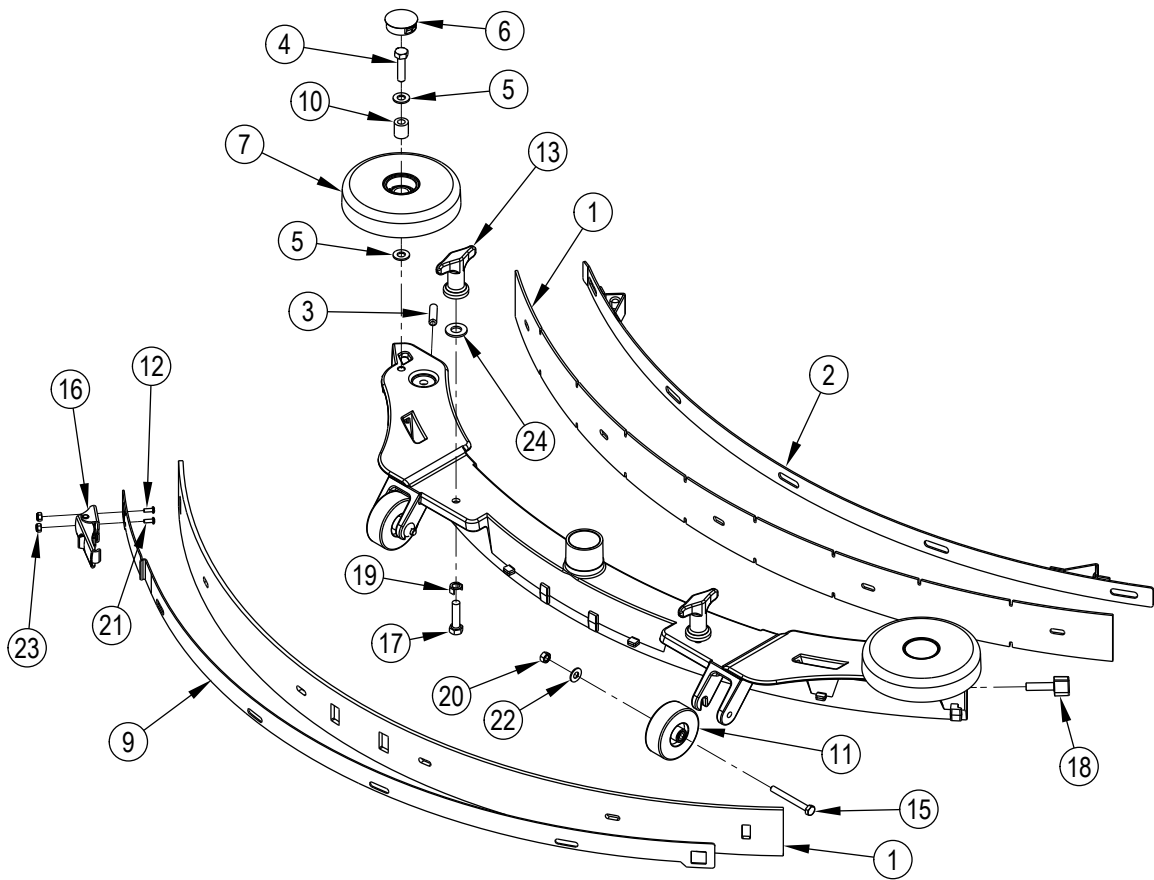
- [1] - M3 / M4
- [2] - for 56112111
- [3] - For machines built before October 2016 items 26d (spindle) and 26g (sheave) must be replaced as a pair, order quantity of one 26d for every 26g being replaced.
- [4] - EXPIRED USE 56002859



Pos.	Artikel-Nr.	Menge	Variante	Notes
1	909 6380 000	1	Schlauchklammer BR 601BR 751	
2	56002918	3	Unterlegscheibe	
3	56054691	1	ADAPTER BARB MALE E00039 BRASS	
4	56109565	1	BARB ADAPTER 1/2 X 3/8 NPT	
5	56112101	1	Frischwassertank	
6	56112145	1	TUBE-PRESSURE SENSING	
7	56383997	1	HOSE-PVC-5/8X19	
8	56419275	3	GASKET	
9	56478523	4	Kabelbinder	[1]
10	56112551	1	HOSE	[2]
11	909 5286 000	1	Dichtung BA 430S	
12	910000803	1	VALVE ELBOW PKD	
13	9097290000	1	Frischwasserfüllschlauch	
14	59614A	1	Ablassventil, Batterie	
15	56112345	1	FILL HOSE SUPPORT	
16	80176A	1	Schraube M5x12 VA	
17	56510442	1	Schraubverschluß	[3]
18	56112775	2	CONNECTOR-STRAIGHT	
19	56116721	2	GROMMET .59X.78X.62IN	
20	34704A	1	Schlauch, Bürste	
21	50248A	2	Schlauchschelle 3/8	
22	52548A	2	Schraube TAB 1/4	[1]
23	80208A	4	Schraube M6x1,0 x 10mm	[1]
24	56244969	1	Schlauch-Bride	
25	56112552	1	ELBOW 3/16 X 3/16 POLY	[2]
26	56112550	1	HOSE	[2]
27	56009062	2	Schraube	
28	56323260	4	Kabelbriede zu BR 1000	
29	56383383	1	POWER CORD BRACKET	
	56112554	1	KIT-SOLUTION LEVEL	
			Service Kits	
K1	56112355	1	Nachfüllschlauch-Set	

Part Notes:

- [1] - The quantity of these parts increased by (1 each) and were implemented in production as of November 6th 2014.
- [2] - Hose 56601273 is obsolete. To replace 56601273 please order Solution Level Kit 56112554.
- [3] - TSB-FC-2015-031 Various machines Solution Fill Cap



Pos.	Artikel-Nr.	Menge	Variante	Notes
	56112314	1	SQUEEGEE ASSY CYL EU	[1]
	56112313	1	SQUEEGEE ASSY	[2]
	56112315	1	Absaugleiste	[3]
1	56112330	1	Absaugleisten-Set Gummi	[2]
1	56112331	1	Absaugleisten-Set Gummi, rot	[3]
1	56115334	1	SQUEEGEE KIT-BLADE-GUM	[4]
1	56112330	1	Absaugleisten-Set Gummi	[3]
2	60466A	1	STRAP SQUEEGEE FRONT 35	[2]
2	60546A	1	Befestigungsleiste	[3]
3	88632A	1	Schraubensatz	
4	56003302	2	Schraube 5/16-18	
5	56002938	4	WSH FLT SAE SS 5/16	
6	56111444	2	Deckel f. Rad	
7	56112108	2	Abweisrolle	
9	56112213	1	Befestigungsschiene	[2]
9	56115293	1	STRAP ASSY-SQUEEGEE-REAR-42	[3]
10	56601499	2	Buchse	
11	909 6883 000	2	Stützrad zu BA 451	
12	56112300	1	Bügel	
13	56370711	2	Mutter	
15	88629A	2	Sechskantschraube	
16	9098321000	1	LATCH SQUEEGEE	
17	962157	2	Schraube 5/16-18X1&1/4	
18	54647A	1	Knopf M8X30 SS	
19	60564A	2	SHIM SQUEEGEE KNOB	
20	80199A	2	NUT M6-1 HEX NYLON LOCK S.S.	
21	56002909	2	SCR PAN PHL SS6-32X38	
22	56002859	2	Mutter SS 1/4	
23	56002907	2	NUT HEX NYL LOC SS 6-32	
24	56384502	2	WASHER-POLYURETHANE-1.25	
			Sq ueegee Blade Kits for 56112313	
	56112330	1	Absaugleisten-Set Gummi	[5]
	56112331	1	Absaugleisten-Set Gummi, rot	[6]
	56112332	1	Absaugleisten-Set PU	[7]
	30815U	2	BLADE URETHANE REAR 35	
			Squeegee Blade Kits for 56112315	
	56115334	1	SQUEEGEE KIT-BLADE-GUM	[6]
	56115333	1	SQUEEGEE KIT-BLADE-LINATEX	[8]
	56115335	1	SQUEEGEE KIT-BLADE-PU	[8]

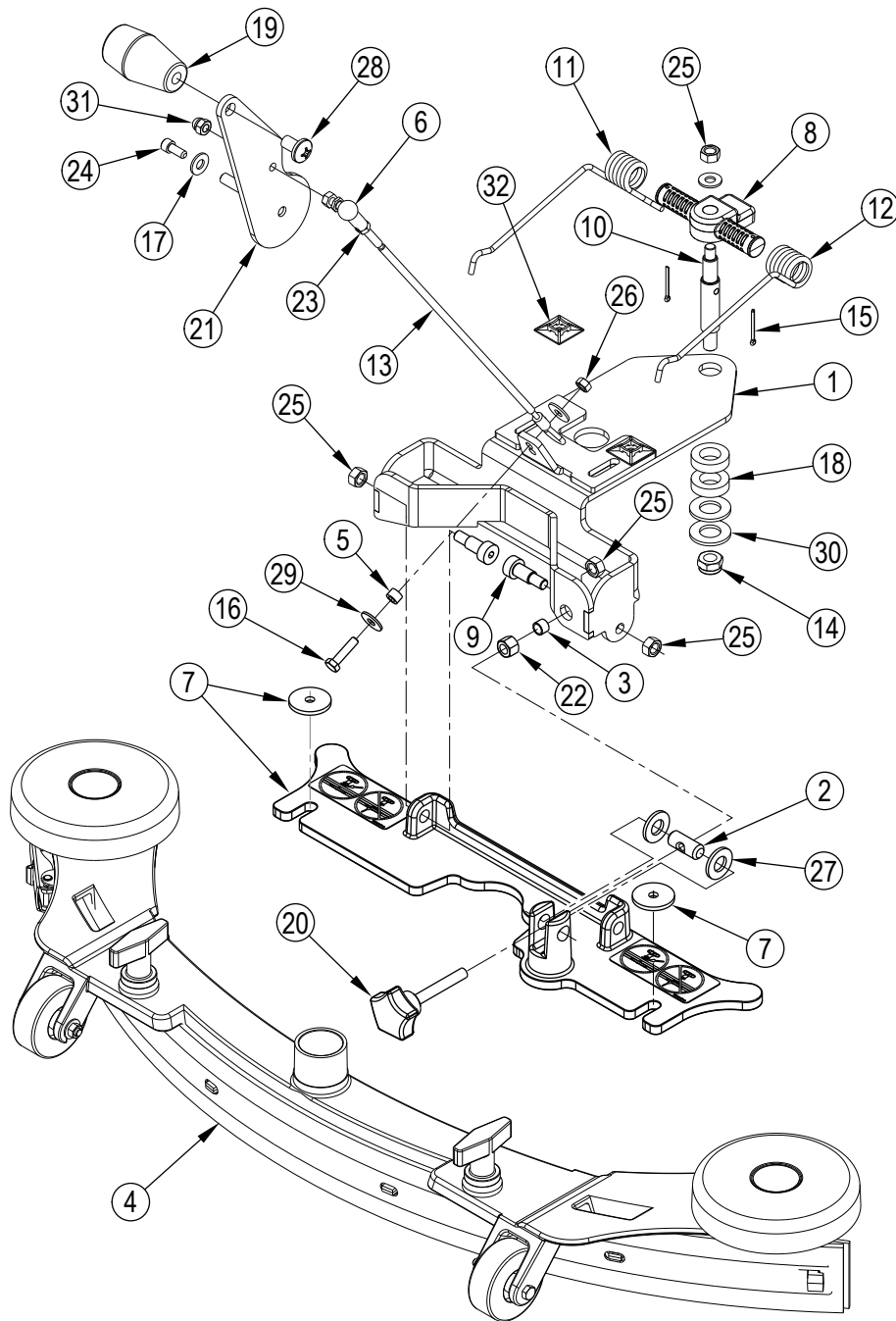
Part Notes:

- [1] - SC800-71C
- [2] - 26" 28" models
- [3] - 32" 34" models
- [4] - 32" and 34" models
- [5] - Pos. 50-52: SC800-71 Squeegee Blade Kits Pos. 60-62: SC800-86 Squeegee Blade Kits NOTE 1: All squeegee blade kits include both front and rear squeegee blades.
- [6] - NOTE 1: All squeegee blade kits include both front and rear squeegee blades.
- [7] - OPTIONAL, NOT INCLUDED

NOTE 1: All squeegee blade kits include both front and rear squeegee blades.

- [8] - OPTIONAL, NOT INCLUDED

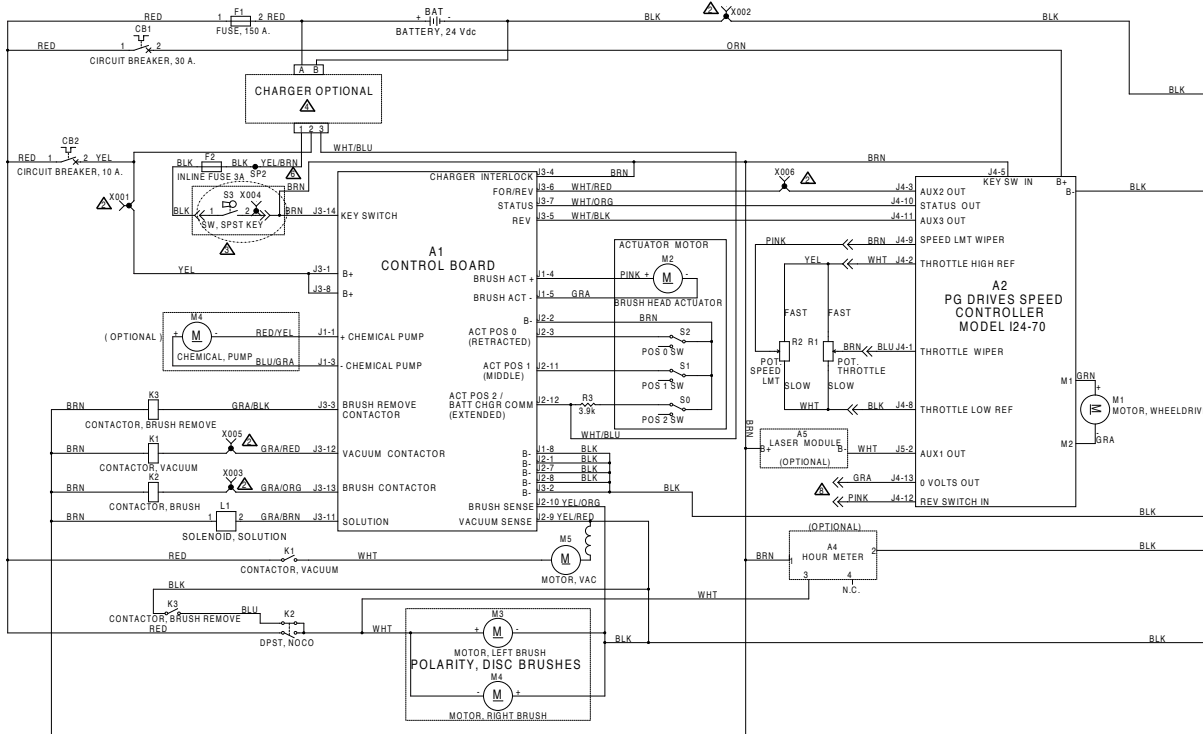
NOTE 1: All squeegee blade kits include both front and rear squeegee blades.



Pos.	Artikel-Nr.	Menge	Variante	Notes
1	56112770	1	PLATE-SQUEEGEE WELDT	
2	L08601509	1	Kontermutter	
3	L08602422	1	Hülse 8x10x7	
4	56112313	1	SQUEEGEE ASSY	[1]
4	56112315	1	Absaugleiste	[2]
5	145 1252 000	1	Distanzhülse 6,5x10x4,5	
6	145 8479 000	1	Kugelgelenk M 6-10521	
7	56384513	1	SQUEEGEE BRACKET KIT	[3]
8	9100000515	1	SUPPORT SQUEEGEE SPRING PKD	
9	9100001160	2	SCREW SHOUL 10X16 M8 ISO7379 10 PCS SET	
10	909 6497 000	1	Bolzen	
11	909 6537 000	1	Feder	
12	909 6538 000	1	Feder	
13	9097366000	1	Seilzug f. Absaugleiste	
14	80223A	1	NUT M10-1.5 NYLOCK	
15	925044	2	PIN-3/32X1 COTTER	
16	56003695	1	Schraube M6	
17	56001939	2	Flachdichtung 5/16	
18	38708A	2	Distanzstück, Bürstenende	
19	52557A	1	Drehknopf, Saugfuß-	
20	54699A	1	Drehknopf M8x55	
21	61952A	1	Schwenkhebel	
22	56003352	1	NUT HEX M8	
23	80171A	1	NUT M6-1 HEX	
24	80179A	1	SCREW M6-1 X 16MM PHD PH SS	
25	80198A	4	Mutter M8-1.25 HEX Nylon	
26	80199A	1	NUT M6-1 HEX NYLON LOCK S.S.	
27	80424A	2	Scheibe	
28	85389A	1	Sechskantschraube	
29	87007A	2	Scheibe - Exzenter-	
30	87613A	2	Scheibe 5/8"	
31	88640A	1	NUT M6-1 ACORN ZINC PLATED	
32	909 6635 000	2	Halteplatte	

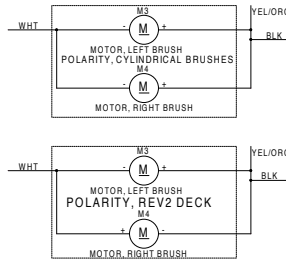
Part Notes:

- [1] - (26" 28" models / Includes Gum Rubber Blades)
- [2] - (32" 34" models / Includes Gum Rubber Blades)
- [3] - TSB-FC-2014-031 Squeegee Brackets Breaking



NOTES:

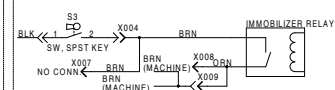
- ▲ CONNECTORS WITH X00X ARE TRACKCLEAN CONNECTIONS.
- ▲ IF TRACKCLEAN OPTION IS INSTALLED, REFER TO TRACKCLEAN CONNECTIONS AND EITHER DETAIL A OR B.
- ▲ REFER TO CHARGER CONNECTIONS FOR ONBOARD CHARGER CONFIGURATIONS.
- ▲ SEE KEY SWITCH DETAIL FOR TRACK CLEAN CONNECTIONS.
- ▲ USED FOR REVERSE SWITCH ON ST MACHINE



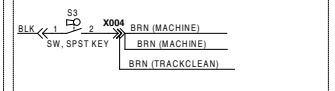
▲ TRACKCLEAN CONNECTIONS (OPTIONAL)

- X001 - B+ (RED)
 - X002 - B- (BLUE)
 - X003 - SCRUB (WHITE)
 - X004 - KEY SWITCH (BROWN)
 - X005 - VACUUM (GRAY)
 - X006 - DRIVE (PINK)
 - X007
 - X008
 - X009
- } SEE DETAIL DIAGRAMS

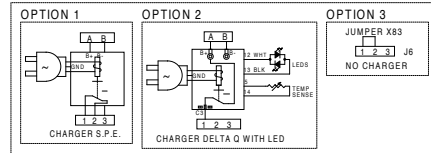
DETAIL A - WITH ACCESS CONTROL



DETAIL B - WITHOUT ACCESS CONTROL



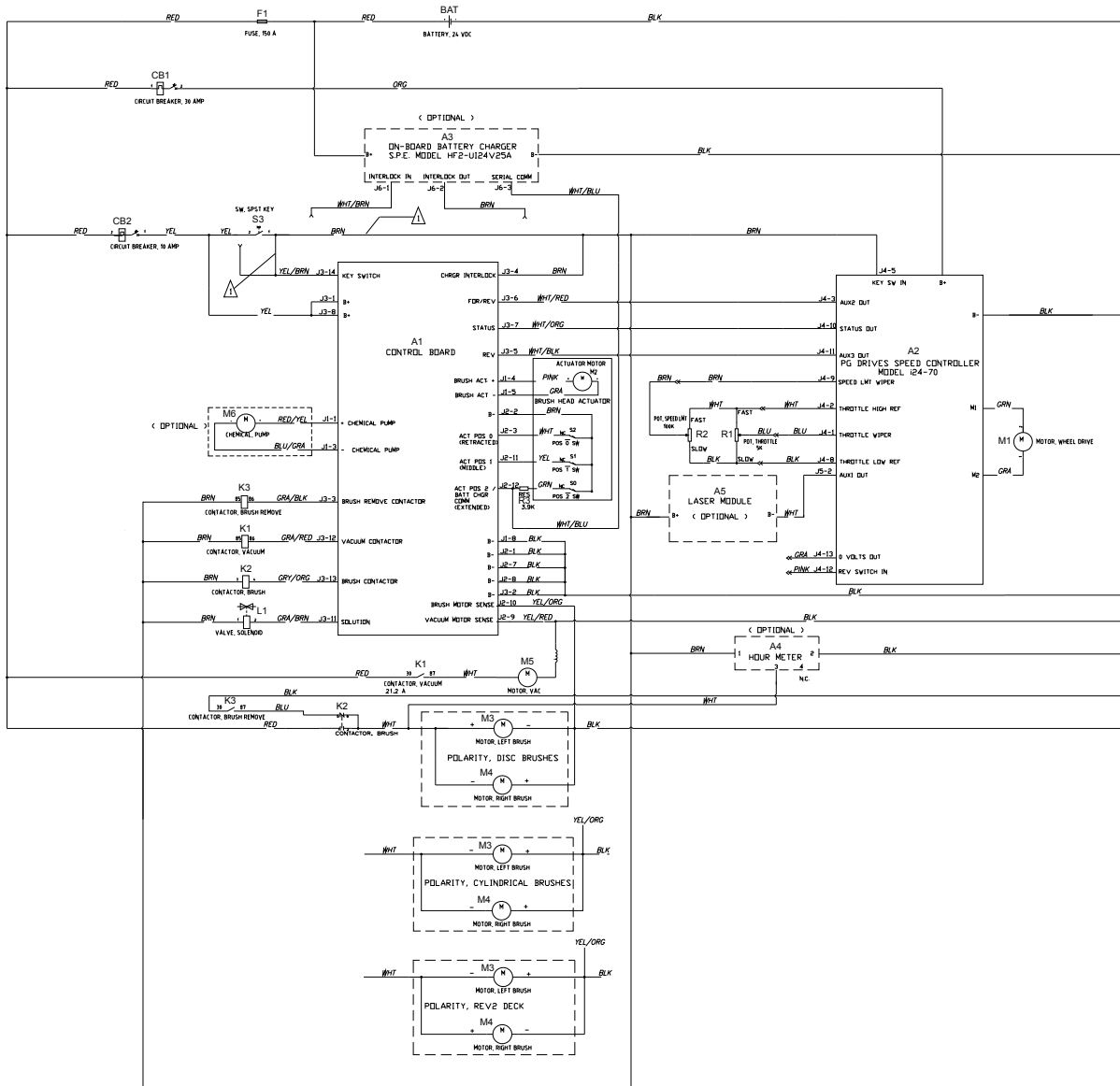
▲ CHARGER OPTIONS



Pos.	Artikel-Nr.	Menge	Variante	Notes
A1	56112351	1	Bedienfeld - Kit AXP	[1]
A2	56112187	1	Geschwindigkeitsregler	
A3	56114378	1	Ladegerät 24V-25A	
A4	56393718	1	Stundenzähler	
A5	56112136	1	LASER	
BAT			Battery-24VDC	
F1	56412089	1	FUSE 150 AMP	
CB1	56315256	1	CIRCUIT BREAKER 30 AMP	
CB2	56507644	1	CIRCUIT BREAKER 10 AMP	
K1	41075A	1	Relais Saugmotor	
K2	56397088	1	Relais Bürstenmotor 24Vzu BA 550/650	
K3	41075A	1	Relais Saugmotor	
L1	56112147	1	Magnetventil	
M1	56382670	1	KIT TRANSAXLE MOTOR	
M2	40280A	1	ACTUATOR BOOST 32	
M3	56112240	1	MOTOR GEARBOX ASSY	
M3	56112111	1	MOTOR-24 VDC 3/4HP	
M4	56112240	1	MOTOR GEARBOX ASSY	
M4	56112111	1	MOTOR-24 VDC 3/4HP	
M5	56384102	1	Saugmotor 24V	
M6	56315241	1	EDS Pumpe	
R1	56397029	1	Potentiometer 5K	[2]
R2	56396197	1	Potentiometer 100K	
R3		1	Part of Main Wiring Harness	
S0		1	Part of M2	
S1		1	Part of M2	
S2		1	Part of M2	
S3	56303553	1	KEY SWITCH ASSEMBLY	

Part Notes:

- [1] - 56112351/56112352 - Control Panel Kits
 [2] - EXPIRED USE 56454740



NOTES:
 ⚠ WHEN ON-BOARD CHARGER IS USED, REMOVE BRN WIRE FROM KEY SW. CONNECT TO BRN WIRE FROM BATTERY CHARGER, & REPLACE WITH WHT/BRN WIRE FROM CHARGER. ALSO, MOVE YEL/BRN WIRE AT KEY SWITCH FROM BRN to YEL.

Pos.	Artikel-Nr.	Menge	Variante	Notes
A1	56112351	1	Bedienfeld - Kit AXP	[1]
A2	56112187	1	Geschwindigkeitsregler	
A3	56114378	1	Ladegerät 24V-25A	
A4	56393718	1	Stundenzähler	
A5	56112136	1	LASER	
BAT			Battery-24VDC	
F1	56412089	1	FUSE 150 AMP	
CB1	56315256	1	CIRCUIT BREAKER 30 AMP	
CB2	56507644	1	CIRCUIT BREAKER 10 AMP	
K1	41075A	1	Relais Saugmotor	
K2	56397088	1	Relais Bürstenmotor 24Vzu BA 550/650	
K3	41075A	1	Relais Saugmotor	
L1	56112147	1	Magnetventil	
M1	56382670	1	KIT TRANSAXLE MOTOR	
M2	40280A	1	ACTUATOR BOOST 32	
M3	56112240	1	MOTOR GEARBOX ASSY	
	56112111	1	MOTOR-24 VDC 3/4HP	
M4	56112240	1	MOTOR GEARBOX ASSY	
	56112111	1	MOTOR-24 VDC 3/4HP	
M5	56384102	1	Saugmotor 24V	
M6	56315241	1	EDS Pumpe	
R1	56397029	1	Potentiometer 5K	[2]
R2	56396197	1	Potentiometer 100K	
R3		1	Part of Main Wiring Harness	
S0		1	Part of M2	
S1		1	Part of M2	
S2		1	Part of M2	
S3	56303553	1	KEY SWITCH ASSEMBLY	

Part Notes:

- [1] - 56112351/56112352 - Control Panel Kits
 [2] - EXPIRED USE 56454740

Pos.	Artikel-Nr.	Menge	Variante	Notes
			Kits	
	56112245	1	Einbauladegerät 24V-20A	
	56112141	1	Schrubb-/Saughandset	
	56601527	1	KIT BATTERY WATERING	[1]
	56302198	1	Betriebsstundenzähler	[2]
	56112138	1	Laser-Set	[3]
	56112140	1	Warnschild Boden "nass"	
	56112312	1	Mophalter-Set	
	56112244	1	Ecoflex-Set	
			SC800-71 Squeegee Blade Kits	
	56112330	1	Absaugleisten-Set Gummi	[4]
	56112331	1	Absaugleisten-Set Gummi, rot	[5]
	56112332	1	Absaugleisten-Set PU	[6]
			SC800-86 Squeegee Blade Kits	
	56115334	1	SQUEEGEE KIT-BLADE-GUM	[4]
	56115333	1	SQUEEGEE KIT-BLADE-LINATEX	[5]
	56115335	1	SQUEEGEE KIT-BLADE-PU	[6]
			Accessories	
	56112222	1	Zubehörkorb	
	56112255	1	Programmierer	
	56384137	1	IDLER W/O-RING KIT	[7]
	56112221	1	KIT PARKING BRAKE	[8]
	56112355	1	Nachfüllschlauch-Set	
	56044596	1	LITERATURE PACK	[9]
			SC800-71 Disk Scrub Brushes	
	56505800	2	Padhalter 14"	
	56505195	2	Padverschluss m. Spange	
	56505805	2	Bürste PPN weich Prolite	
	56505804	2	Bürste Prolene 14"	
	56505806	2	Bürste Union Mix	
	56505803	2	Bürste Sica weich 14"	
	56505807	2	Bürste Sica weich, Grit 240	
	56505808	2	Bürste Sica, Grit 180	
	56505802	2	Bürste Sica mittel, Dyna Grit 360 mm	
	56505801	2	Bürste Sica hart, Magna Grit 46	
			SC800-86 Disk Scrub Brushes	
	56505780	2	Padhalter 430 mm	
	56505195	2	Padverschluss m. Spange	
	56505785	2	Bürste PPN weich Ø430 mm, 17"	
	56505784	2	Bürste PPN hart Ø430 mm, 17"	
	56505786	2	Bürste Union Mix Ø430 mm, 17"	
	56505783	2	BÜRSTE AGLITE, WEICH Ø430, 17"	
	56505787	2	Bürste Mid Grit 240, Ø430 mm, 17"	
	56505788	2	Bürste Mid Grit 180, Ø430 mm, 17"	
	56505782	2	Bürste Dyna Grit, mittel Ø430 mm, 17"	
	56505781	2	Bürste Magna Grit, hart Ø430 mm, 17"	
			SC800-71 Cylindrical Scrub Brushes	
	56412191	2	Bürstenwalze Nylon, weich, gelb	[8]
	56412192	2	Bürstenwalze Nylon, hart, Naturborsten	
	56412046	2	Bürstenwalze PP, rot	
	56412193	2	Bürstenwalze Sica Grit 180, blau/grau	
	56412194	2	Walze Sica schwarz BR700C	[8]
	56412195	2	Walze Sica braun BR 700 C	[8]

Part Notes:

- [1] - NOT FOR SALE VIA EDC
- [2] - HASH(0xa0f820c)
- [3] - EXPIRED ON 9/15/2021
- [4] - All squeegee blade kits include both front and rear squeegee blades

- [5] - All squeegee blade kits include both front and rear squeegee blades.
- [6] - All squeegee blade kits include both front and rear squeegee blades. Optional, Not Included
- [7] - EXPIRED NO REPLACEMENT
- [8] - COMPLEXITY REDUCTION
- [9] - NOT FOR EU

RECOMMENDED SPARE PARTS

SC800 86 NIL

2017.11.02

2016.11.02

Pos.	Artikel-Nr.	Menge	Variante	Notes
	40628A	4	Kohlebürste	[1]
	56397098	1	Kohlebürste (Set)	[2]
	56112242	2	CARBON BRUSH KIT	[3]
	56412257	1	BRUSH CAP ASSY	[4]
	56407391	2	Spritzschutz vorne/hinten	
			SC800-71 Squeegee Blade Kits	
	56112330	1	Absaugleisten-Set Gummi	[5]
	56112331	1	Absaugleisten-Set Gummi, rot	[5]
	56112332	1	Absaugleisten-Set PU	[5]
			SC800-86 Squeegee Blade Kits	
	56115334	1	SQUEEGEE KIT-BLADE-GUM	[5]
	56115333	1	SQUEEGEE KIT-BLADE-LINATEX	[5]
	56115335	1	SQUEEGEE KIT-BLADE-PU	[5]
			ORDINARY MAINTENANCE	
	56112308	1	Lenkrolle	
			EXTRAORDINARY MAINTENANCE	
	56112109	2	Reifen	
	56112147	1	Magnetventil	[6]
	56112543	1	TRANSAXLE	
	56380158	2	Flanschkit	[7]
	56382670	1	KIT TRANSAXLE MOTOR	[7]
	40280A	1	ACTUATOR BOOST 32	[8]
	9100000860	1	Wasserfilter	[9]
	9100000861	1	NET WATER FILTER REINFORCED PKD	[10]
	9097456000	1	Hebel	
	54689A	1	GAS SPRING 500N	
	56396197	1	Potentiometer 100K	[11]
	56397029	1	Potentiometer 5K	[12]
	56109716	1	Abdeckung	
	56315230	1	Bedienteilabdeckung	
	56315280	1	Knob	
	56112351	1	Bedienfeld - Kit AXP	
	56303553	1	KEY SWITCH ASSEMBLY	[13]
	56303526	1	Schlüssel, 2Stk.	[14]
	56112253	1	KIT-INTERFACE PANEL	[15]
	56112187	1	Geschwindigkeitsregler	[16]
	56315256	1	CIRCUIT BREAKER 30 AMP	[17]
	56397088	1	Relais Bürstenmotor 24Vzu BA 550/650	[18]
	56412089	1	FUSE 150 AMP	[19]
	56507644	1	CIRCUIT BREAKER 10 AMP	[20]
	41075A	2	Relais Saugmotor	[21]
	56384102	1	Saugmotor 24V	[22]
	56112316	1	Schlauch	
	909 6634 000	1	Deckelsicherung	
	56344168	1	Filter	
	56112310	1	DRAIN HOSE-RECOVERY	
	56112303	1	Schwimmerventilkit	
	56109651	1	Bürstenplatte	[23]
	56109652	1	Bürstenplatte	[24]
	56112523	1	Gabel	
	56112240	2	MOTOR GEARBOX ASSY	[25]
	56112259	1	BRUSH SKIRT ASSY-28D LEFT	[26]
	56112261	1	BRUSH SKIRT ASSY-34D LEFT	[27]
	56112260	1	BRUSH SKIRT ASSY-28D RIGHT	[26]
	56112262	1	BRUSH SKIRT ASSY-34D RIGHT	[27]
	56112306	1	KIT-BRISTLE SKIRT 28	[28]
	56112307	1	Bürstenkranz 34	[29]
	56601450	1	Rad 4,00 Od	
	30412A	1	Saugschlauch	

RECOMMENDED SPARE PARTS

SC800 86 NIL

2017.11.02

2016.11.02

Pos.	Artikel-Nr.	Menge	Variante	Notes
	56112521	1	Schraubenstützlager	
	56366455	1	Platte zu BR 1000	
	56109653	1	Klemmfeder	
	56601056	1	Sicherungsring	
	56601118	1	Bürstenplatte	
	56112111	2	MOTOR-24 VDC 3/4HP	[25]
	56112523	1	Gabel	
	56315321	2	Riemen Poly-V Walzenbürste	
	56115318	2	DRIVE END ASSY	
	56115314	2	Riemen-Abdeckung	
	56115344	2	IDLER END ASSY	
	56407303	2	Rändelmutter	[30]
	56412459	2	Rad	
	30412A	1	Saugschlauch	
	909 6380 000	1	Schlauchklammer BR 601BR 751	
	56112145	1	TUBE-PRESSURE SENSING	
	56383997	1	HOSE-PVC-5/8X19	
	56419275	3	GASKET	
	56112554	1	KIT-SOLUTION LEVEL	
	9100000803	1	VALVE ELBOW PKD	
	9100000703	1	Füllschlauch	
	56112345	1	FILL HOSE SUPPORT	
	56510442	1	Schraubverschluss	
	56112108	2	Abweisrolle	
	909 6883 000	2	Stützrad zu BA 451	
	56370711	2	Mutter	
	9100000515	1	SUPPORT SQUEEGEE SPRING PKD	
	52557A	1	Drehknopf, Saugfuß-	
	909 6635 000	2	Halteplatte	

Part Notes:

- [1] - for 50981A
- [2] - for 56384102
- [3] - for 56112240
- [4] - for 56112111
- [5] - All squeegee blade kits include both front and rear squeegee blades
- [6] - L1
- [7] - for 56112543
- [8] - M2
- [9] - TSB-FC-2013-127
- [10] - for 9100000362
- [11] - R2
- [12] - EXPIRED USE 56454740

- R1
- [13] - for 56112351 S3
- [14] - for 56303553
- [15] - Membrane Switch, Membrane Panel, Gasket
- [16] - A2
- [17] - CB1
- [18] - K2
- [19] - F1
- [20] - CB2
- [21] - K1 / K3
- [22] - M5
- [23] - CCW
- [24] - CW
- [25] - M3 / M4
- [26] - SC800-71

RECOMMENDED SPARE PARTS

SC800 86 NIL

2017.11.02

2016.11.02

- [27] - SC800-86
- [28] - SC800-71/ Includes two skirts and mounting hardware
- [29] - SC800-86/ Includes two skirts and mounting hardware
- [30] - for 56115344

We provide brushes and pad holders that will give you the best possible performance between machine and floor. Following are descriptions of the materials and their applications.

- ProLite:** Bristles are made from light-duty polypropylene for general scrubbing when you do not want to scratch or remove finish from the floor. Recommended for use in place of red pads.
- Prolene:** Polypropylene material for medium-duty scrubbing on concrete, terrazzo and vinyl floor tile. Recommended for use in place of green or blue pads.
- Union Mix:** Medium grade natural fibers for polishing finished floors with standard-speed equipment. Recommended for use in place of white pads.
- AgLite Grit 500:** For light scrubbing when used wet; buffing or polishing when used dry on urethane coated, sealed concrete or other resilient hard surface floors. Recommended for use in place of red or white pads.
- MidGrit 240:** For general purpose scrubbing when you need a lighter action for sealed or unsealed concrete, stone, terrazzo, quarry tile and other resilient hard floor surfaces. Recommended for use in place of green or blue pads.
- MidLite Grit 180:** For general purpose scrubbing of sealed or unsealed concrete, stone, terrazzo, quarry tile and other resilient hard floor surfaces. Recommended for use in place of green or blue pads.
- Dyna Grit 80:** For aggressive, heavy-duty scrubbing or stripping of floors. Recommended for use in place of brown pads.
- Magna Grit 46:** For extreme heavy-duty scrubbing or stripping of floors. This brush has extra large diameter silicon carbide grit impregnated synthetic bristles. Recommended for use in place of black pads.
- Short Trim**
- Pad Holder:** Made with a structural foam block and center ring for correct pad centering. It has a "shower feed" design for getting solution to the floor.

BA 756 BRUSHES

- 56505800 - Short Trim Pad Holder
- 56505195 - Pad Retainer for 56505800
- 56505805 - ProLite
- 56505804 - Prolene
- 56505806 - Union Mix
- 56505803 - AgLite Grit 500
- 56505807 - MidGrit 240
- 56505808 - MidLite Grit 180
- 56505802 - Dyna Grit 80
- 56505801 - Magna Grit 46

BA 856 BRUSHES

- 56505780 - Short Trim Pad Holder
- 56505195 - Pad Retainer for 56505800
- 56505785 - ProLite
- 56505784 - Prolene
- 56505786 - Union Mix
- 56505783 - AgLite Grit 500
- 56505787 - MidGrit 240
- 56505788 - MidLite Grit 180
- 56505782 - Dyna Grit 80
- 56505781 - Magna Grit 46

DISC BRUSH APPLICATION GUIDE (SUGGESTION ONLY)

	46	80	180	240	500			Union
Application	Grit	Grit	Grit	Grit	Grit	Prolene	ProLite	Mix
Stripping:								
Concrete	X	X						
Terrazzo	X	X						
Ceramic/Quarry tile		X						
Vinyl tile		X						
General Scrubbing:								
Concrete	X	X	X	X		X		
Terrazzo			X	X	X	X		
Ceramic/Quarry tile			X	X	X	X		
Marble					X		X	
Vinyl tile			X		X	X		
Raised-rubber tile					X		X	
Polishing:								
Raised Disc Tile								X
Marble								X
Vinyl tile								X

Resource notes:

Pos. 1-10: BA 756 BRUSHES Pos. 20-29 BA 856 BRUSHES

Pos.	Artikel-Nr.	Menge	Variante	Notes
1	56505800	1	Padhalter 14"	
2	56505195	1	Padverschluss m. Spange	[1]
3	56505805	1	Bürste PPN weich Prolite	
4	56505804	1	Bürste Prolene 14"	
5	56505806	1	Bürste Union Mix	
6	56505803	1	Bürste Sica weich 14"	
7	56505807	1	Bürste Sica weich, Grit 240	
8	56505808	1	Bürste Sica, Grit 180	
9	56505802	1	Bürste Sica mittel, Dyna Grit 360 mm	
10	56505801	1	Bürste Sica hart, Magna Grit 46	
20	56505780	1	Padhalter 430 mm	
21	56505195	1	Padverschluss m. Spange	[1]
22	56505785	1	Bürste PPN weich Ø430 mm, 17"	
23	56505784	1	Bürste PPN hart Ø430 mm, 17"	
24	56505786	1	Bürste Union Mix Ø430 mm, 17"	
25	56505783	1	BÜRSTE AGLITE, WEICH Ø430, 17"	
26	56505787	1	Bürste Mid Grit 240, Ø430 mm, 17"	
27	56505788	1	Bürste Mid Grit 180, Ø430 mm, 17"	
28	56505782	1	Bürste Dyna Grit, mittel Ø430 mm, 17"	
29	56505781	1	Bürste Magna Grit, hart Ø430 mm, 17"	

Part Notes:

[1] - FOR 56505800

We provide brushes and pad holders that will give you the best possible performance between machine and floor. Following are descriptions of the materials and their applications.

- Soft Nylon:** Least aggressive brush available. Used on soft-finish floors where a more aggressive brush would leave scratch marks, or in applications requiring very light cleaning.
- Stiff Nylon:** Cleaning action similar to polypropylene. More durable and wear-resistant than polypropylene.
- Prolene:** Low cost, yet effective in cleaning many common floor surfaces.
- MidLite Grit 180:** Least aggressive grit brush. Used for daily cleaning of hard-finished floors.
- Dyna Grit 80:** Medium aggressive grit brush. Good all-around brush for medium to heavy buildup removal. Can also be used for general stripping operations.
- Magna Grit 46:** Most aggressive grit brush. Used primarily to clean heavy buildup on concrete floors in factories, or for heavy stripping of finish.

BA 756 BRUSHES

- 56412191 - Soft Nylon
- 56412192 - Hard Nylon
- 56412046 - Prolene
- 56412193 - MidLite Grit 180
- 56412194 - Dyna Grit 80
- 56412195 - Magna Grit 46

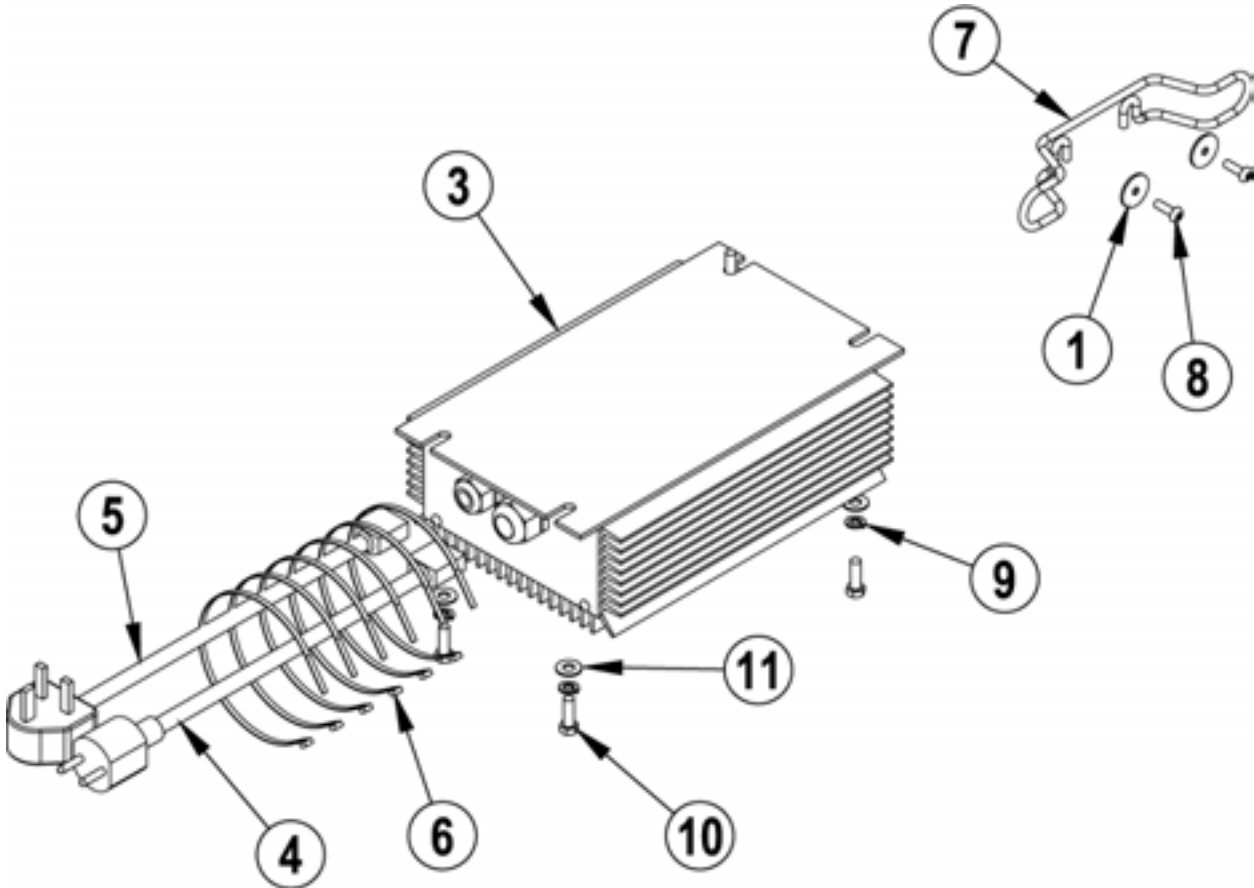
CYLINDRICAL BRUSH APPLICATION GUIDE (SUGGESTION ONLY)

Application	46 Grit	80 Grit	180 Grit	Polypropylene	Stiff Nylon	Soft Nylon
Stripping:						
Concrete	X	X				
Terrazzo	X	X				
Ceramic/Quarry tile		X				
Vinyl tile		X				
General Scrubbing:						
Concrete	X	X	X	X	X	
Terrazzo			X	X	X	X
Ceramic/Quarry tile			X	X	X	X
Marble			X		X	X
Vinyl tile			X	X	X	X
Raised-rubber tile			X			X

Pos.	Artikel-Nr.	Menge	Variante	Notes
1	56412191	1	Bürstenwalze Nylon, weich, gelb	[1]
2	56412192	1	Bürstenwalze Nylon, hart, Naturborsten	
3	56412046	1	Bürstenwalze PP, rot	
4	56412193	1	Bürstenwalze Sica Grit 180, blau/grau	
5	56412194	1	Walze Sica schwarz BR700C	[1]
6	56412195	1	Walze Sica braun BR 700 C	[1]

Part Notes:

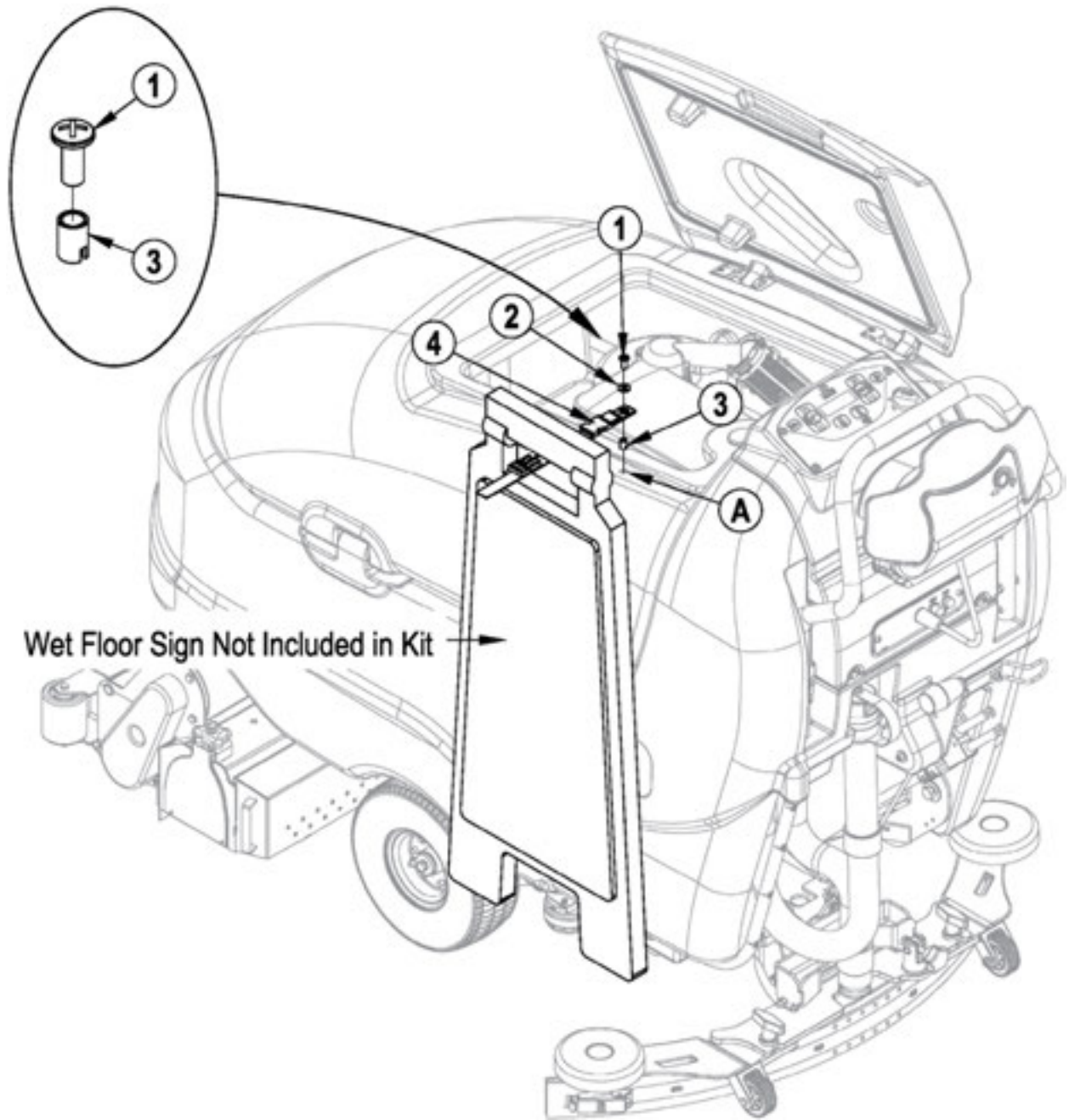
[1] - COMPLEXITY REDUCTION



Pos.	Artikel-Nr.	Menge	Variante	Notes
00	56112245	1	Einbauladegerät 24V-20A	[1]
1	56009096	2	Scheibe zu BR 1000	
3	56114378	1	Ladegerät 24V-25A	[1]
4	56383388	1	Ladekabel	
5	56383389	1	CORD-CHARGER UK	
6	56478523	8	Kabelbinder	
7	1466317000	1	SUPPORT CABLE KIT	
8	964004	2	SCREW M5X16 PN ST PH	
9	980657	4	Scheibe 1/4 STD	
10	57994A	4	SCREW M6 X 20 HEX HD	
11	87026A	4	Scheibe .250	[2]

Part Notes:

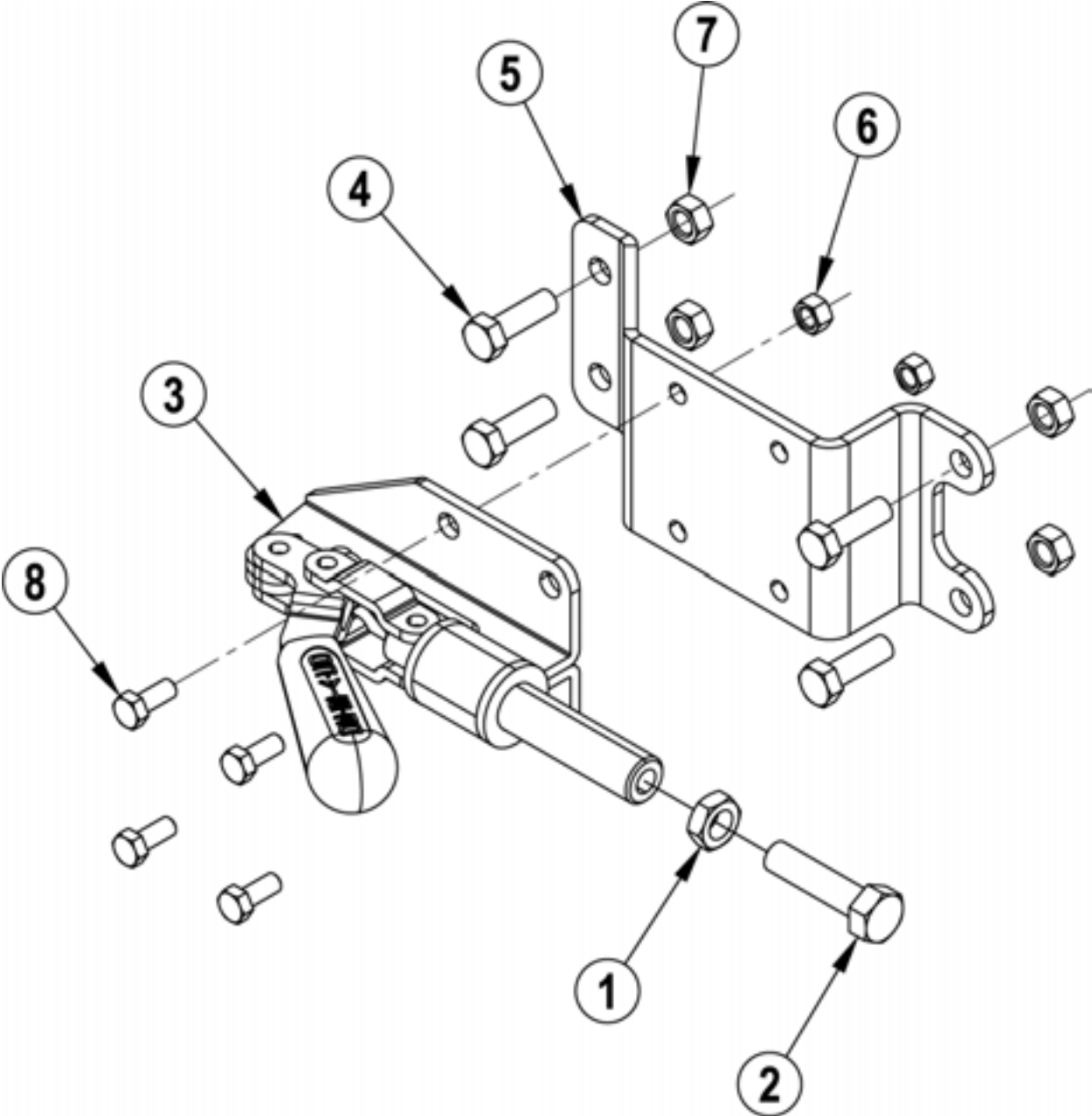
- [1] - TSB US 2011 Charger Interlock Wiring Update
- [2] - EXPIRED USE 56002859



Pos.	Artikel-Nr.	Menge	Variante	Notes
00	56112140	1	Warnschild Boden "nass"	
01	56002066	1	Schraube	
02	56002098	1	Scheibe SAE 1/4	
03	56009034	1	SCR PAN PHIL THD FORM 8-32X.88	[1]
04	56112149	1	POLYPROPYLENE STRAP	

Part Notes:

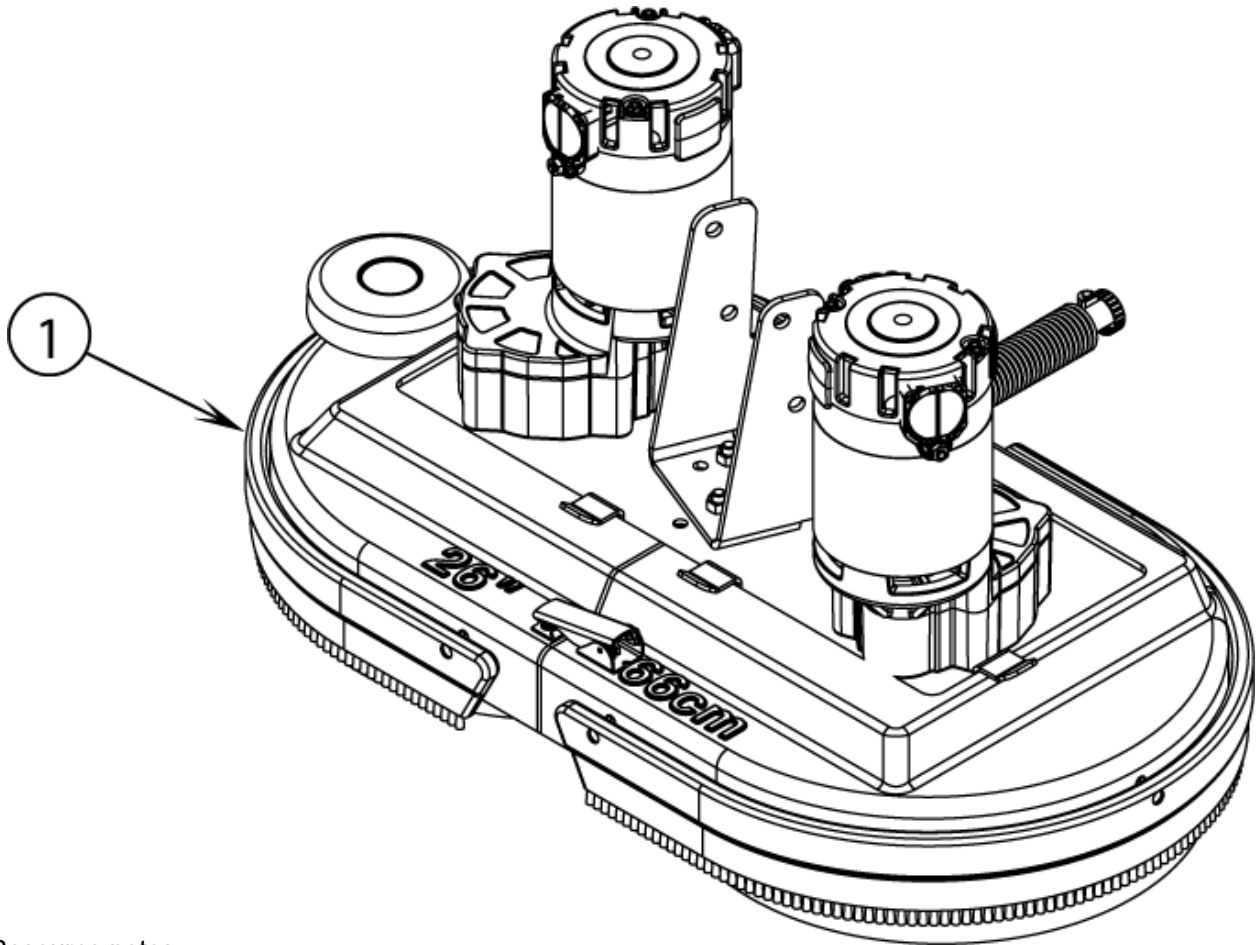
[1] - EXPIRED ON 5/13/2020



Pos.	Artikel-Nr.	Menge	Variante	Notes
00	56112221	1	KIT PARKING BRAKE	[1]
01	920160	1	NUT-5/16-18 HEX JAM	
02	962157	1	Schraube 5/16-18X1&1/4	
03	54772A	1	CLAMP TOGGLE STRAIGHT LINE	
04	57994A	4	SCREW M6 X 20 HEX HD	
05	61934A	1	BRACKET BRAKE	
06	56003975	4	NUT HEX NYL LOC SS M5-0.8	
07	80199A	4	NUT M6-1 HEX NYLON LOCK S.S.	
08	80249A	4	6-kantschraube M5x0,8x12	

Part Notes:

[1] - COMPLEXITY REDUCTION



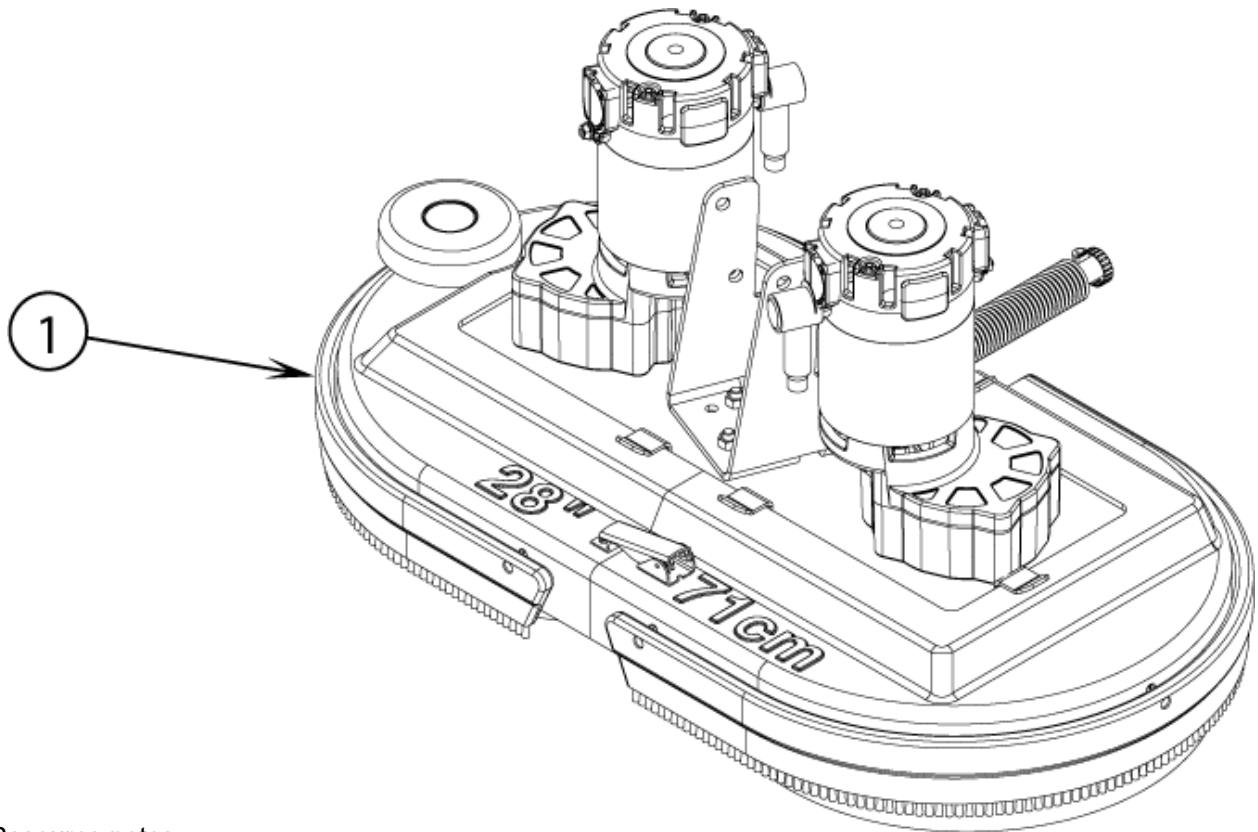
Resource notes:

Pos. 1-19: Compatible 26" Brushes Pos. 30: Available 26" Disc Deck Skirt Pos. 40: Compatible Squeegee Pos. 50-55: Squeegee Blade Kits for 56112265

Pos.	Artikel-Nr.	Menge	Variante	Notes
01		1	SCRUB SYSTEM 26" DISC	[1]
10	56505760	1	Padhalter 330 mm	
11	56505195	1	Padverschluss m. Spange	
12	56505765	1	Bürste Prolene, weich	
13	56505764	1	Bürste Prolene, hart	
14	56505766	1	Bürste, Union Mix	
15	56505763	1	Bürste Aglite Grit	
16	56505767	1	Bürste Mid Grit, 330 mm	
17	56505768	1	Bürste Mid 330 mm	
18	56505762	1	Bürste sica mittel	
19	56505761	1	Bürste Sica hart	
50	56112247	1	BLADE KIT-SQUEEGEE GUM	[2]
52	56112332	1	Absaugleisten-Set PU	
53	56112330	1	Absaugleisten-Set Gummi	
54	56112331	1	Absaugleisten-Set Gummi, rot	
55	56112332	1	Absaugleisten-Set PU	

Part Notes:

- [1] - SCRUB SYSTEM 26" DISC
 [2] - EXPIRED USE 56112330



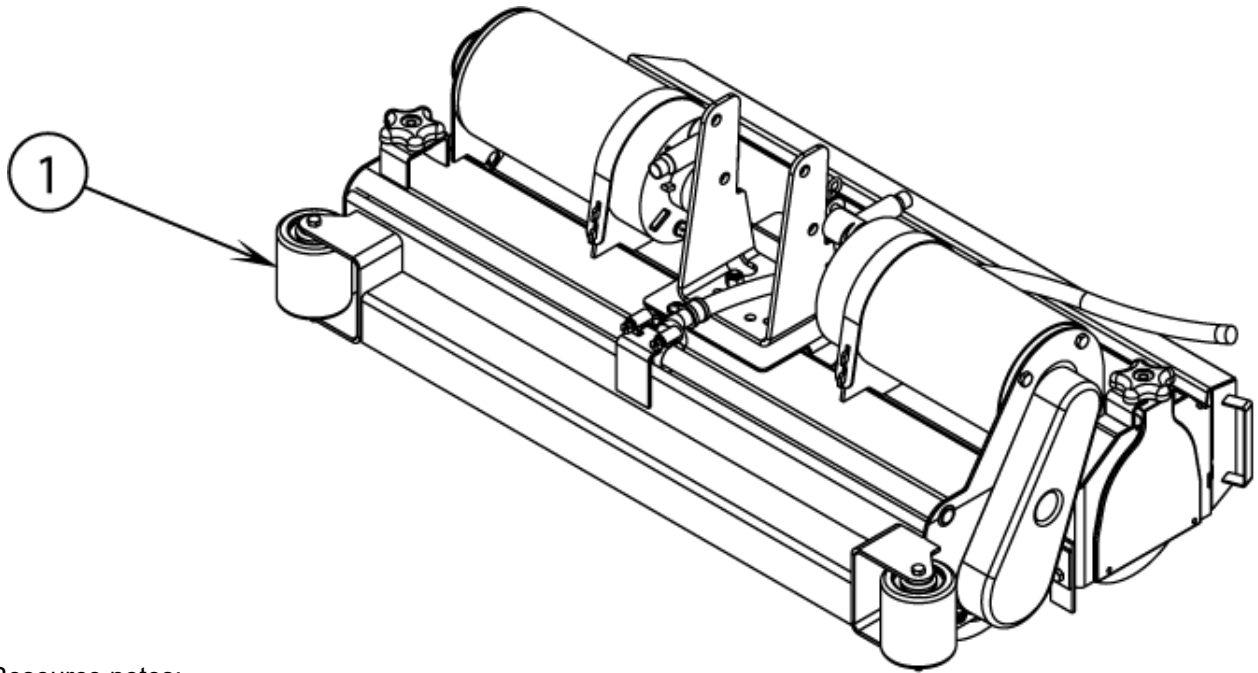
Resource notes:

Pos. 1-19: Compatible 28" Brushes Pos. 30: Available 28" Disc Deck Skirt Pos. 40: Compatible Squeegee Pos. 50-55: Squeegee Blade Kits for 56112266

Pos.	Artikel-Nr.	Menge	Variante	Notes
	56112266	1	KIT DISC DECK ASSY 28	[1]
01		1	SCRUBSYSTEM28"DISC	[2]
10	56505800	1	Padhalter 14"	
11	56505195	1	Padverschluss m. Spange	
12	56505805	1	Bürste PPN weich Prolite	
13	56505804	1	Bürste Prolene 14"	
14	56505806	1	Bürste Union Mix	
15	56505803	1	Bürste Sica weich 14"	
16	56505807	1	Bürste Sica weich, Grit 240	
17	56505808	1	Bürste Sica, Grit 180	
18	56505802	1	Bürste Sica mittel, Dyna Grit 360 mm	
19	56505801	1	Bürste Sica hart, Magna Grit 46	
30	56112225	1	BRISTLE SKIRT-28D	
50	56112247	1	BLADE KIT-SQUEEGEE GUM	[3]
52	56112332	1	Absaugleisten-Set PU	
53	56112330	1	Absaugleisten-Set Gummi	
54	56112331	1	Absaugleisten-Set Gummi, rot	
55	56112332	1	Absaugleisten-Set PU	

Part Notes:

- [1] - EXPIRED ON 02/08/2013
- [2] - SCRUBSYSTEM28"DISC
- [3] - EXPIRED USE 56112330



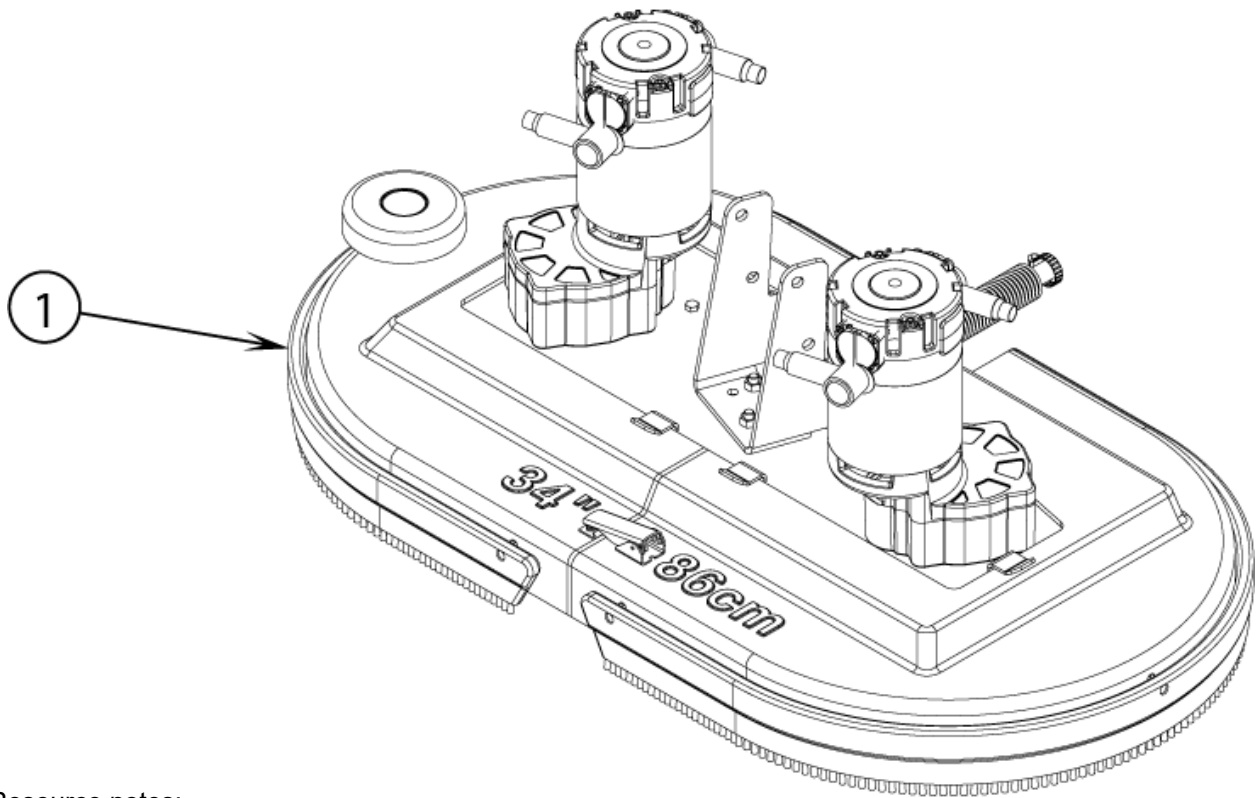
Resource notes:

Pos. 10-15: Compatible 28" Brushes Pos. 30: Available Belt Pos. 40: Available Blade Pos. 50: Compatible Squeegee Pos. 60-65: Squeegee Blade Kits for 56112267

Pos.	Artikel-Nr.	Menge	Variante	Notes
	56112267	1	KIT CYLINDRICAL DECK ASSY 28	[1]
01		1	SCRUB SYSTEM 28" CYLINDRICAL	[2]
10	56412191	1	Bürstenwalze Nylon, weich, gelb	[3]
11	56412192	1	Bürstenwalze Nylon, hart, Naturborsten	
12	56412046	1	Bürstenwalze PP, rot	
13	56412193	1	Bürstenwalze Sica Grit 180, blau/grau	
14	56412194	1	Walze Sica schwarz BR700C	[3]
15	56412195	1	Walze Sica braun BR 700 C	[3]
30	56315321	1	Riemen Poly-V Walzenbürste	
40	56407391	1	Spritzschutz vorne/hinten	
60	56112247	1	BLADE KIT-SQUEEGEE GUM	[4]
62	56112332	1	Absaugleisten-Set PU	
63	56112330	1	Absaugleisten-Set Gummi	
64	56112331	1	Absaugleisten-Set Gummi, rot	
65	56112332	1	Absaugleisten-Set PU	

Part Notes:

- [1] - EXPIRED ON 02/11/2013
- [2] - SCRUB SYSTEM 28" CYLINDRICAL
- [3] - COMPLEXITY REDUCTION
- [4] - EXPIRED USE 56112330



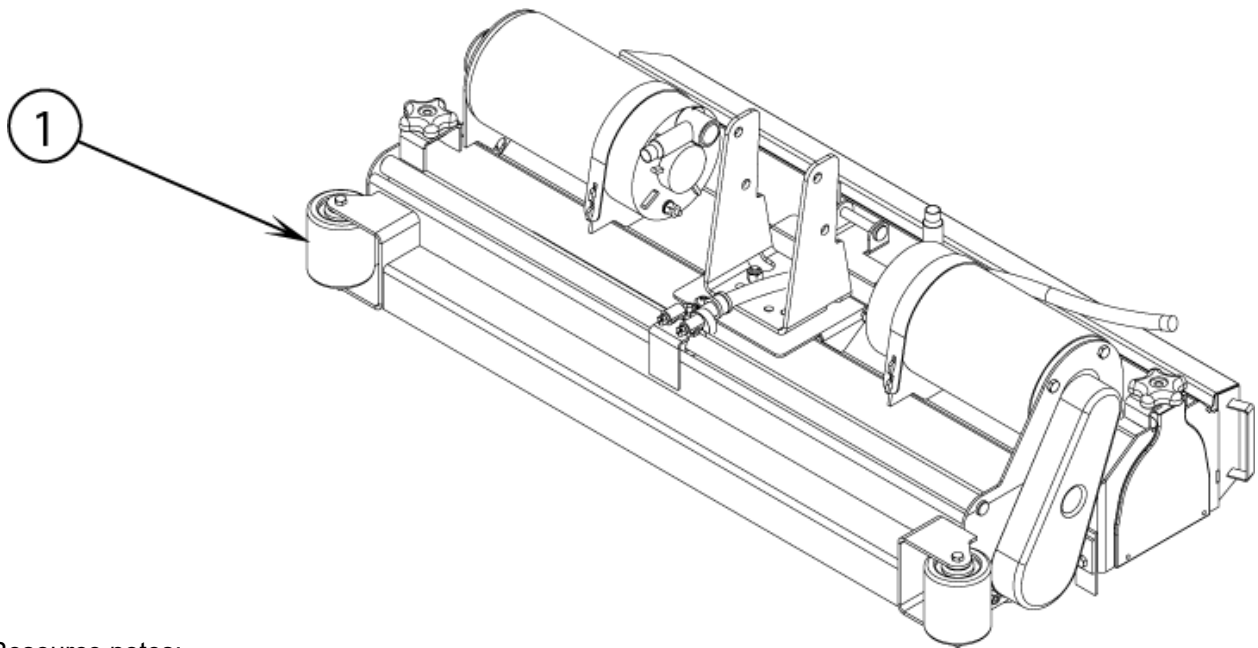
Resource notes:

Pos. 10-19: Compatible 34" Brushes Pos. 30: Available 34" Disc Deck Skirt Pos. 40: Compatible Squeegee Pos. 50-55: Squeegee Blade Kits for 56112279

Pos.	Artikel-Nr.	Menge	Variante	Notes
	56112279	1	KIT DISK DECK ASSY 34	[1]
01		1	SCRUB SYSTEM 34" DISC	[2]
10	56505780	1	Padhalter 430 mm	
11	56505195	1	Padverschluss m. Spange	
12	56505785	1	Bürste PPN weich Ø430 mm, 17"	
13	56505784	1	Bürste PPN hart Ø430 mm, 17"	
14	56505786	1	Bürste Union Mix Ø430 mm, 17"	
15	56505783	1	BÜRSTE AGLITE, WEICH Ø430, 17"	
16	56505787	1	Bürste Mid Grit 240, Ø430 mm, 17"	
17	56505788	1	Bürste Mid Grit 180, Ø430 mm, 17"	
18	56505782	1	Bürste Dyna Grit, mittel Ø430 mm, 17"	
19	56505781	1	Bürste Magna Grit, hart Ø430 mm, 17"	
30	56112227	1	BRISTLE SKIRT-34D	
50	56115334	1	SQUEEGEE KIT-BLADE-GUM	
51	56115333	1	SQUEEGEE KIT-BLADE-LINATEX	
52	56112252	1	BLADE KIT-SQUEEGEE PU	[3]
53	56115334	1	SQUEEGEE KIT-BLADE-GUM	
54	56115333	1	SQUEEGEE KIT-BLADE-LINATEX	
55	56115335	1	SQUEEGEE KIT-BLADE-PU	

Part Notes:

- [1] - COMPLEXITY REDUCTION
- [2] - SCRUB SYSTEM 34" DISC
- [3] - EXPIRED USE 56112335



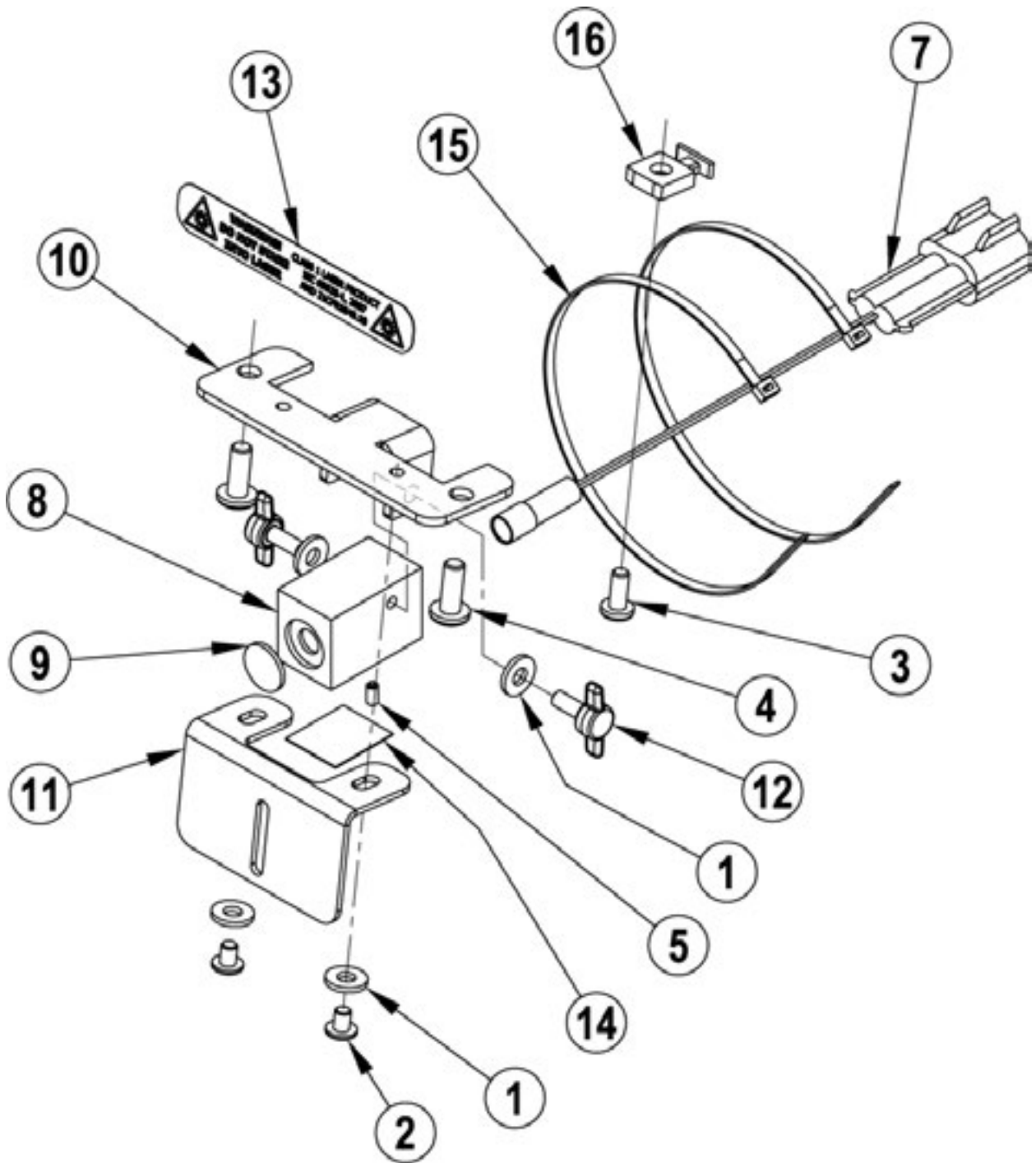
Resource notes:

Pos. 10-15: Compatible 32" Brushes Pos. 30: Available Belt Pos. 40: Available Blade Pos. 50: Compatible Squeegee Pos. 60-65: Squeegee Blade Kits for 56112280

Pos.	Artikel-Nr.	Menge	Variante	Notes
01		1	SCRUBSYSTEM32"CYLINDRICAL	[1]
10	56407473	1	Bürstenwalze Nylon weich, gelb	
11	56407474	1	Bürstenwalze Nylon hart, Naturborsten	
13	56407476	1	Bürstenwalze Mid Grit 180, mittel	
14	56407477	1	Bürstenwalze Dyna Grit 80, hart	
15	56407478	1	Bürstenwalze Grit 46, sehr hart	
30	56315321	1	Riemen Poly-V Walzenbürste	
40	56407391	1	Spritzschutz vorne/hinten	
60	56115334	1	SQUEEGEE KIT-BLADE-GUM	
61	56115333	1	SQUEEGEE KIT-BLADE-LINATEX	
62	56112252	1	BLADE KIT-SQUEEGEE PU	[2]
63	56115334	1	SQUEEGEE KIT-BLADE-GUM	
64	56115333	1	SQUEEGEE KIT-BLADE-LINATEX	
65	56115335	1	SQUEEGEE KIT-BLADE-PU	

Part Notes:

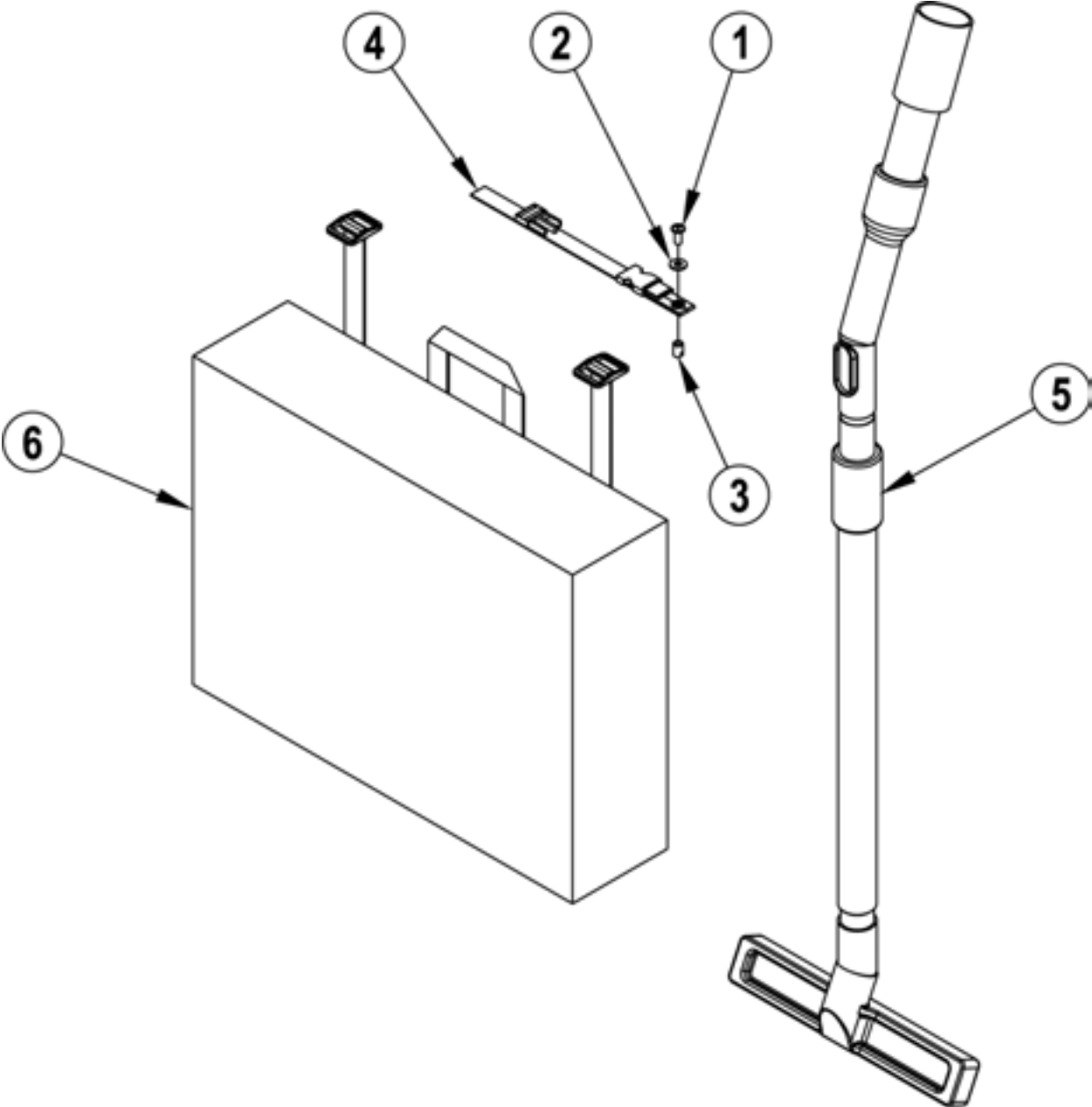
- [1] - SCRUBSYSTEM32"CYLINDRICAL
 [2] - EXPIRED USE 56112335



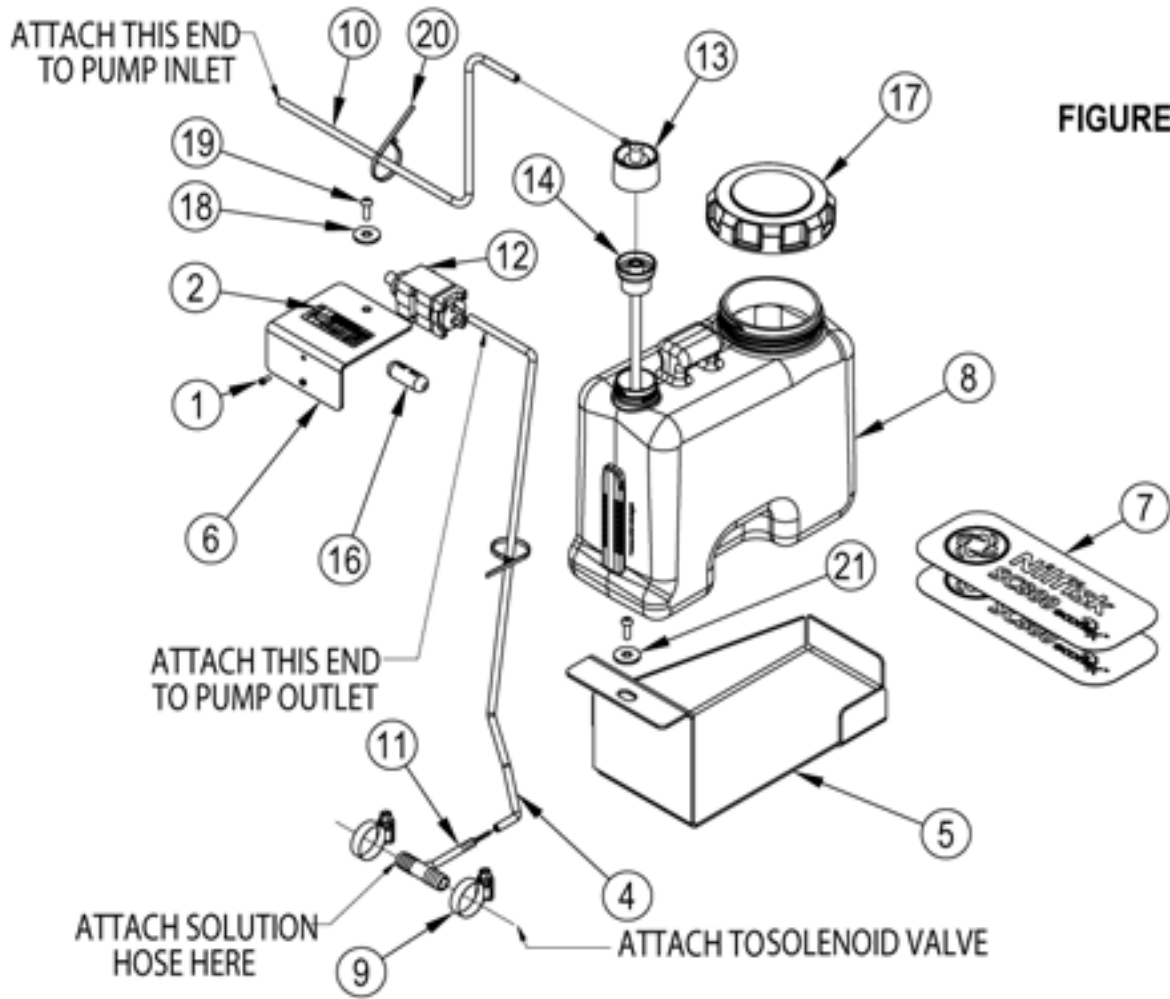
Pos.	Artikel-Nr.	Menge	Variante	Notes
00	56112138	1	Laser-Set	[1]
01	56001954	4	WSH FLT SAE 10	
02	56002453	2	SCR PAN PHIL 10-24 X .25	[2]
03	56003377	1	SCR PAN PHIL M5X12MM	
04	56003627	2	Schraube M6 x 16	
05	56003811	1	SCR-SOC SET SS NYL TIP 6-32X	
07	56112136	1	LASER	
08	56112137	1	LASER HOUSING	
09	56112142	1	CLEAR LENS	[3]
10	56112143	1	LASER SUPPORT BRKT	[4]
11	56112146	1	LASER SHIELD	[5]
12	56112264	2	T-KNOB ASSEMBLY	
13	56112298	1	DECAL-LASER WARNING	
14	56112301	1	DECAL-LASER WARNING	
15	56478523	2	Kabelbinder	
16	52548A	1	Schraube TAB 1/4	

Part Notes:

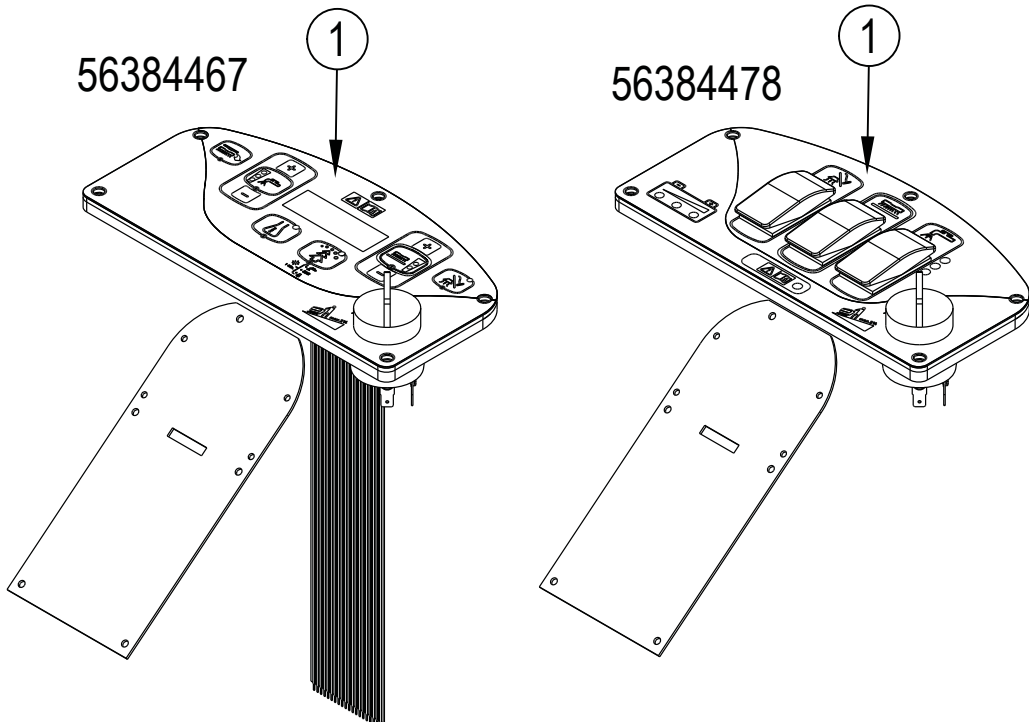
- [1] - EXPIRED ON 9/15/2021
- [2] - EXPIRED ON 1/31/2022
- [3] - EXPIRED ON 1/2/2020
- [4] - EXPIRED NO REPLACEMENT
- [5] - EXPIRED ON 02/08/2022



Pos.	Artikel-Nr.	Menge	Variante	Notes
00	56112141	1	Schrubb-/Saughandset	
01	56002066	1	Schraube	
02	56002098	1	Scheibe SAE 1/4	
03	56009304	1	INSERT SELF TAPPING 1/4-20	
04	56112149	1	POLYPROPYLENE STRAP	
05	56315309	1	SCRUB/VAC WAND HOSE	
06	56315316	1	Tragetasche	



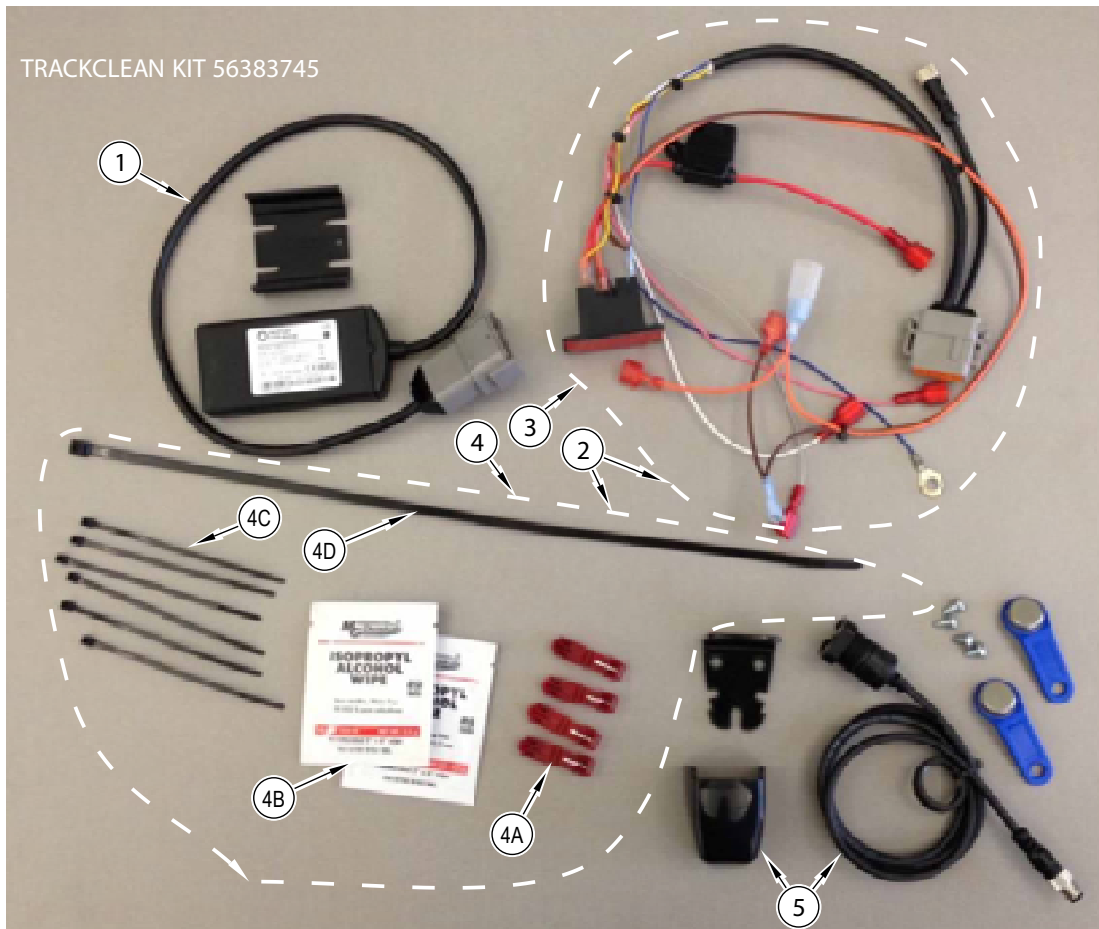
Pos.	Artikel-Nr.	Menge	Variante	Notes
00	56112244	1	Ecoflex-Set	
01	56002539	2	SCR PAN PHIL TD FORM 6-32 X.31	
02	56016331	1	DECAL CHEMICAL RATIO	
04	56413692	1	Schlauch Chemie resistent	
05	56112125	1	BRACKET-BOTTLE SUPPORT	
06	56112126	1	BRACKET-PUMP MOUNT	
07	56112532	2	DECAL-NILFISK SC800 ECOFLEX	
08	56601544	2	Tank für Ecoflex	
09	56219932	1	Briede	
10	56306169	1	HOSE CHEM RESISTANT 17.00	
11	56314983	1	T-Stück	
12	56315241	1	EDS Pumpe	
13	56315523	1	Deckel EDS-Schwimmer	
14	56315527	1	Buchseneinsatz EDSzu BA 551	
16	56601514	1	FERRITE BEAD	
17	9100001817	1	CAP PLASTIC F CHEMICAL TANK SIP	
18	56002098	1	Scheibe SAE 1/4	
19	56003627	1	Schraube M6 x 16	
20	56325219	2	CABLE TIE E00549 HC360C	
21	56009060	1	SCHEIBE-U	



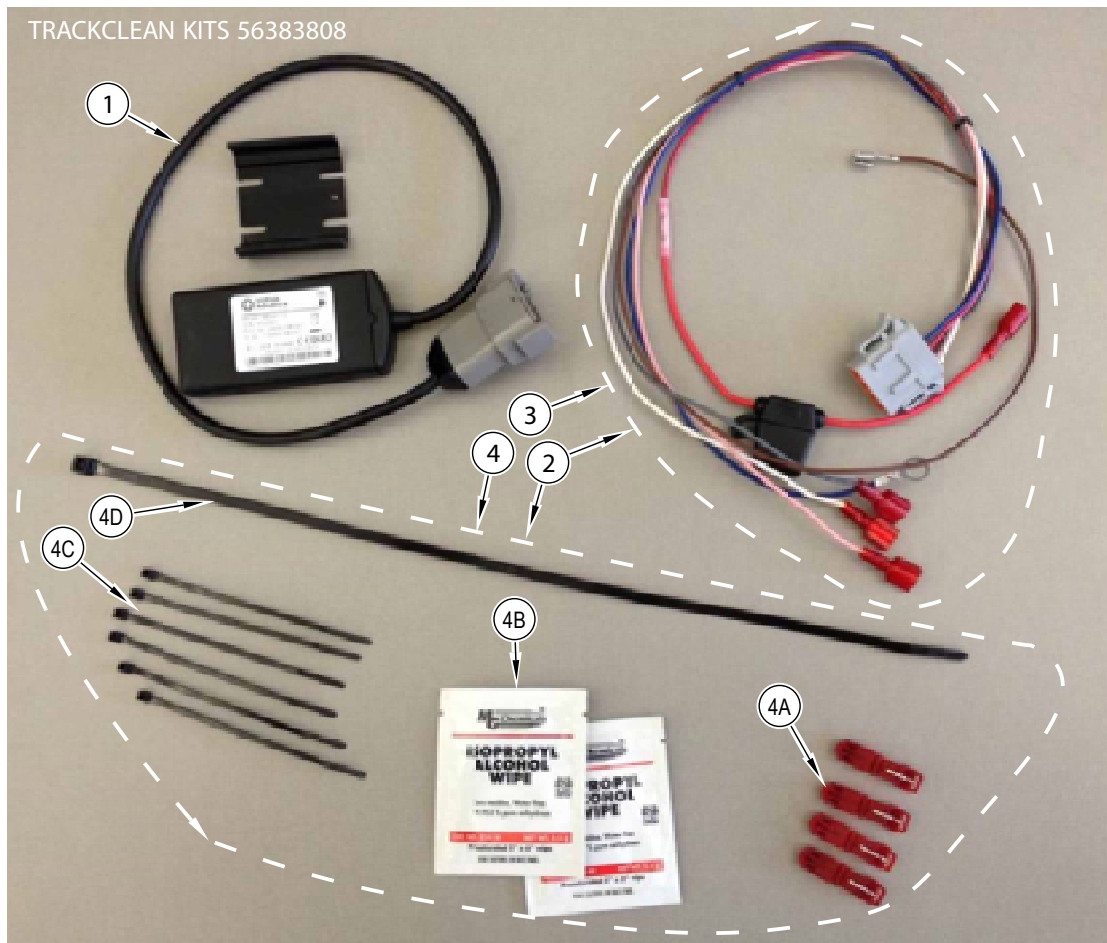
Pos.	Artikel-Nr.	Menge	Variante	Notes
1	56112351	1	Bedienfeld - Kit AXP	[1]
1	56112352	1	KIT-ST CONTROL BOARD	[2]

Part Notes:

- [1] - 56384467
- [2] - 56384478



Pos.	Artikel-Nr.	Menge	Variante	Notes
0	56383745	1	TRKCLN SC800 KIT-RDR	
1		1	ME401-9 EU SIM card module (module, bracket)	
2		1	TrackClean System with reader	
3		1	Harness with reader	
4		1	Hardware Kit	
4A		4	Red tap 18-22 AWG (Wire Splice Connector)	
4B		2	Alcohol wipe	
4C		6	Cable tie, 4" x 0.10", black	
4D		1	Cable tie, 8" x 0.18", black	
5		1	TrackClean reader kit (reader, 2 user keys)	



Pos.	Artikel-Nr.	Menge	Variante	Notes
0	56383808	1	TRKCLN SC800 KIT	
1		1	ME401-9 EU SIM card module (module, bracket)	
2		1	TrackClean System without reader	
3		1	Harness without reader	
4		1	Hardware Kit	
4A		4	Red tap 18-22 AWG (Wire Splice Connector)	
4B		2	Alcohol wipe	
4C		6	Cable tie, 4" x 0.10", black	
4D		1	Cable tie, 8" x 0.18", black	
