

PARTS LIST



Hotline: 0 73 03 / 901 980

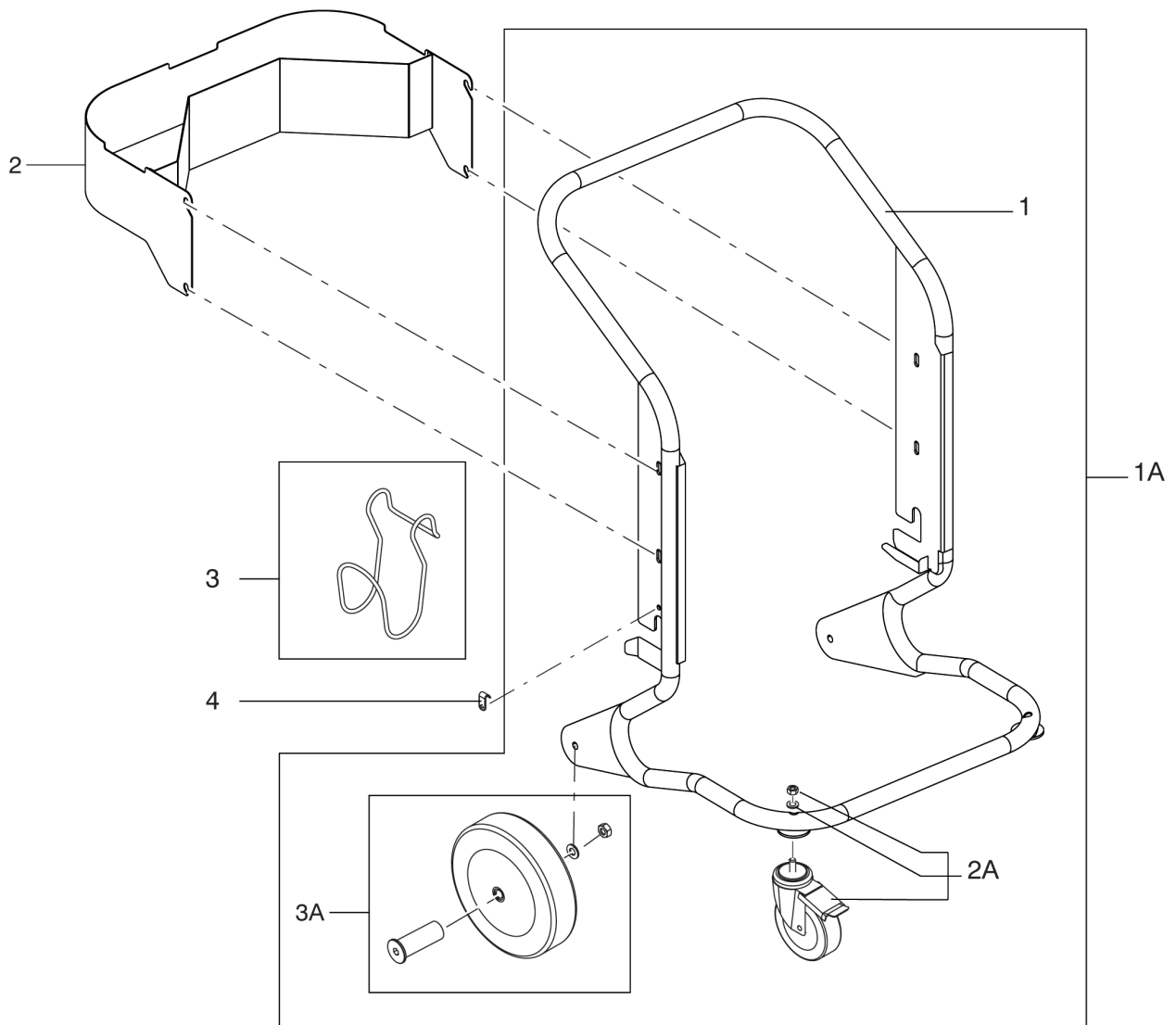
Zur Aumühle 36 | 89257 Illertissen
Tel.: 0 73 03 / 901 980 | Fax 0 73 03 / 901 981 8
info@wap-nilfisk-alto-shop.de

www.wap-nilfisk-alto-shop.de

2022.11.14

TABLE OF CONTENTS

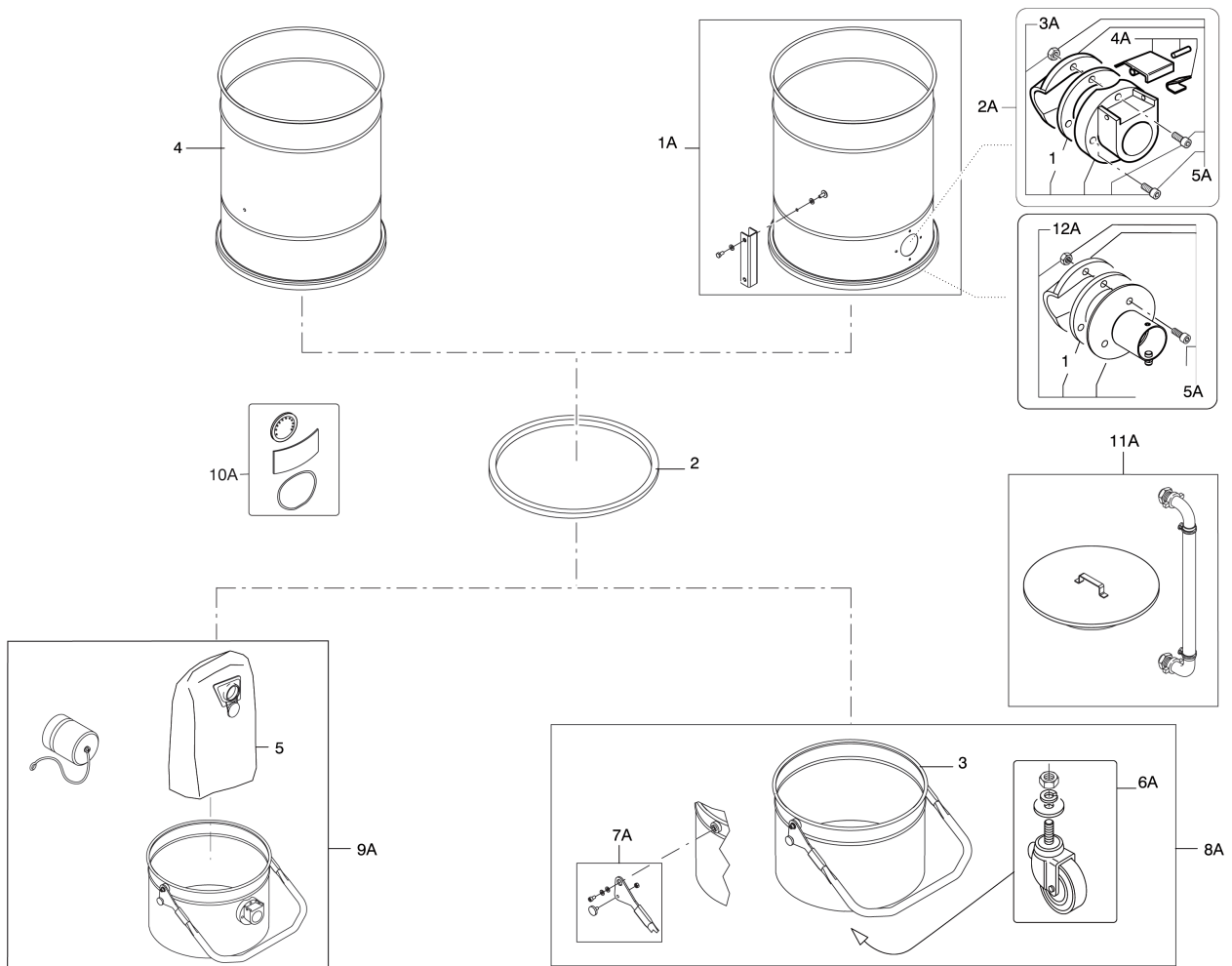
L233 - 1 - CAR	1
L233 - 2 - CONTAINER UNIT	3
L233 - 3 - FILTER GROUP	5
L233 - 4 - FILTER GROUP	7
L233 - 5 - SUCTION UNIT	9
L233 - 6 - SUCTION UNIT	11
L233 - 7 - IMMERSION SEPARATOR	13



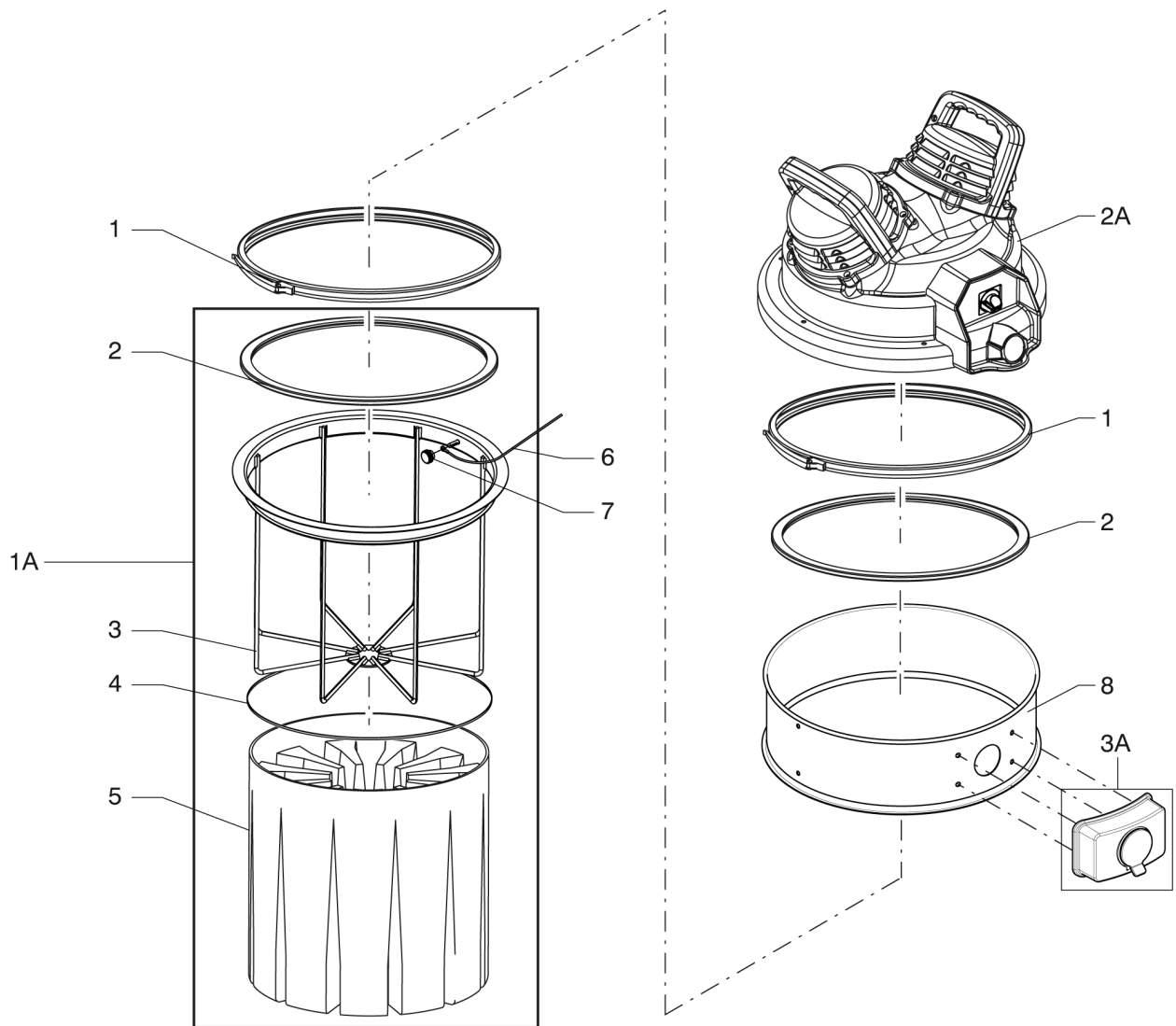
Pos.	Artikel-Nr.	Menge	Variante	Notes
1	4083600849	1	TROLLEY VHS110 RAL 7016	
1	4083600860	1	TROLLEY VHS110 RAL SS	
2	4081601059	1	ACCESSORIES BASKET FOR VHS120	
2	4081601096	1	ACCESSORIES BASKET FOR VHS120 SS	
3	82219800	1	Netzkabelhacken	
3	4081600745	1	Netzkabelhacken	
4	32400666	1	PLATE NUT.FOR GROUNDING	[1]
1A	4083600866	1	TROLLEY COMPLETE WHEEL ANTISTATIC	
1A	4083600867	1	TROLLEY COMPLETE SS WHEEL ANTISTATIC	
2A	4089100785	2	KIT PIVOTTING WHEEL D100 MOD.VHS	
3A	4089100786	2	FIX WHEEL KIT MOD.VHS	
3A	4089101005	2	FIX WHEEL KIT MOD.VHS SS	

Part Notes:

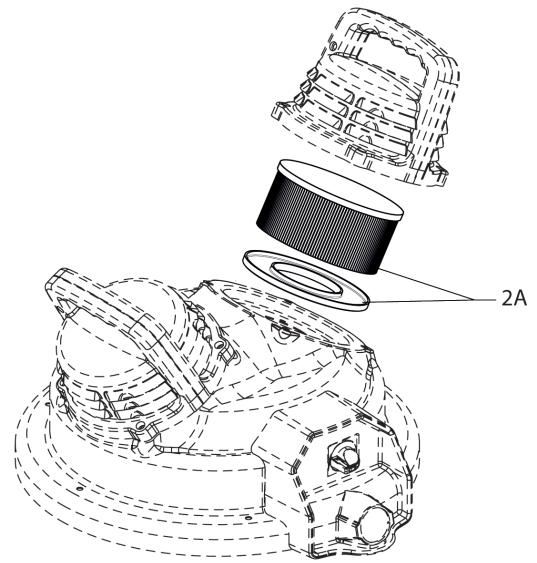
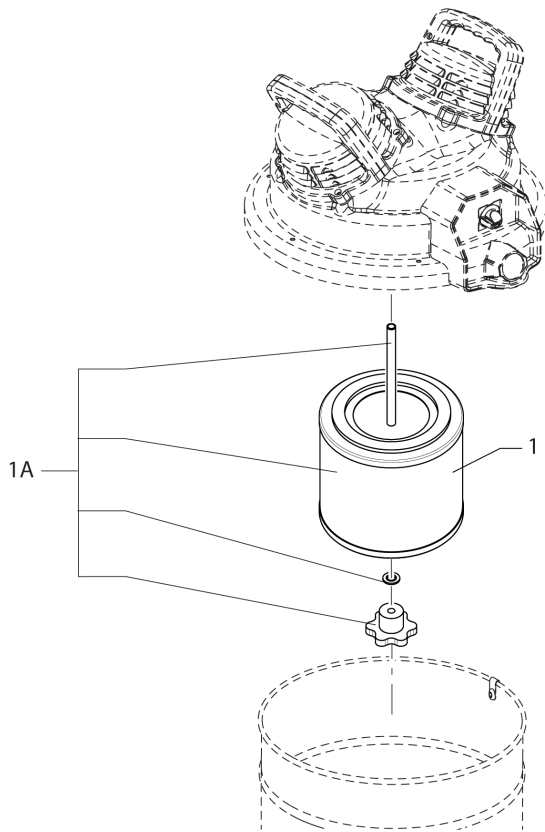
[1] - CONTACT PM IN ZOCCA



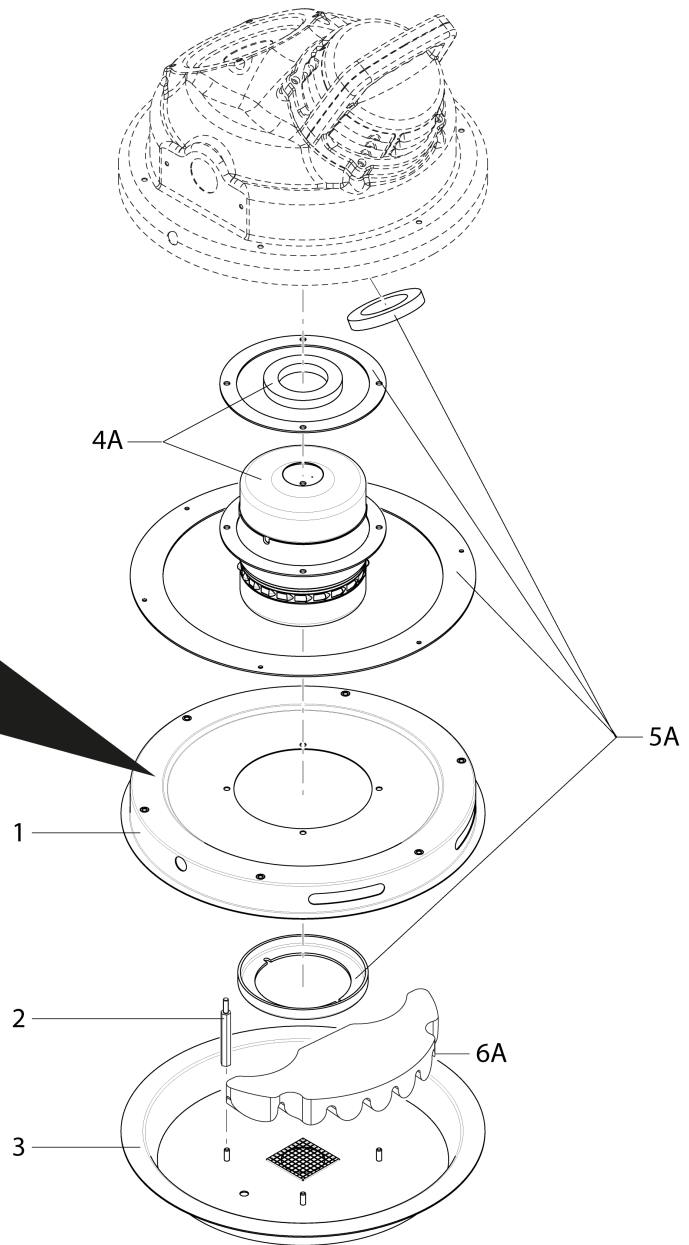
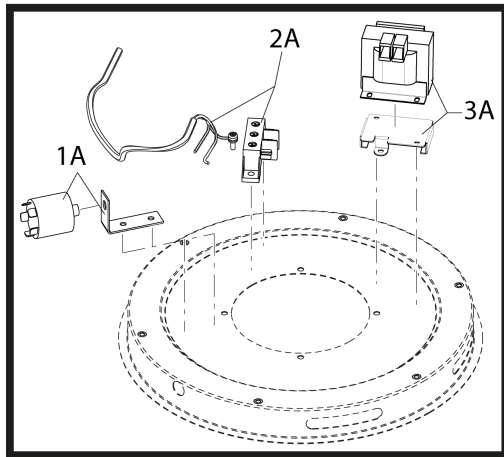
Pos.	Artikel-Nr.	Menge	Variante	Notes
1	8 17005	1	iINLET SEAL D50	
2	4081100183	1	JOINT RING GASKET D400	
2	4081701238	1	FILTER SILICONE SEAL D390 VHS110	
3	4083000864	1	CONTAINER D400X315 VHS110 SS	
4	4083000890	1	CONTAINER SB VHS110 SS	
5	8 40874	1	SAFE BAG ANT.	
1A	4089100787	1	FILTER CHAMBER KIT MOD.VHS	
1A	4089100794	1	FILTER CHAMBER KIT SS MOD.VHS	
1A	4089101007	1	FILTER CHAMBER NO HOLE KIT	
2A	4089100813	1	D50 COMPLETE INLET KIT MOD.VHS CR	
2A	4089100375	1	SS DEFLECTOR KIT	
3A	4089100280	1	D50 INLET SS KIT	
4A	40000320	1	Arretierung f. Kessel-	
5A	4089100814	1	DEFLECTOR KIT D50 MOD.VHS CR	
5A	4089100374	1	SS INLET FULL KIT	
5A	4081200628	1	SS DEFLECTOR CLAMP	
6A	4089100788	1	KIT WHEEL CONTAINER MOD.VHS	
7A	4089100789	1	KIT HANDLE FOR CONTAINER MOD.VHS	
7A	4089100795	1	KIT HANDLE FOR CONTAINER SS MOD.VHS	
8A	4083000872	1	CONTAINER COM.D400 VHS	
8A	4083000873	1	CONTAINER SS COM.D400 VHS	
9A	4056000783	1	KIT SBS VHS110 ANTISTATIC	
9A	4056000785	1	KIT SBS VHS110 SS ANTISTATIC	
10A	4089100790	1	LABELS KIT MOD.VHS	
11A	4056000816	1	PLASTIC BAG KIT CTS-CTT L50-VHS110 ATEX	
12A	4089101020	1	KIT INLET D50 FOR ATEX COMPLETE	



Pos.	Artikel-Nr.	Menge	Variante	Notes
1	4083600861	2	Spannringband lock	
1	4083600862	2	BAND LOCK D400 NIPLOYniploy band lock	
2	Z8 17025	1	Dichtung D 360 schwarz Nilfisk 3156 / 11seal	
2	Z8 17125	1	Filterringdichtung ausseal for inox	
3	4083300426	1	FILTER HOLDER CAGE D400 8 ELEMENTS FEfilter cage	
3	4083300427	1	FILTER HOLDER CAGE D400 8 ELEMENTS SSss filter cage	
4	4084001291	1	Filterschelle D400filter block tie	
4	4081801386	1	FILTER BLOCK TIE D400 SS AISI304ss filter block tie	
5	4081701208	1	STAR FILTER D400 ANTISTATICD400 ant. star filter	
5	4081701218	1	STAR FILTER D400 ANTISTATIC M-CLASSD400 ant. M star filter	
5	4081701417	1	STAR FILTER D400 PTFE ANTISTATIC EPIT.	
6	Z8 39668	1	Kabel500 mm earth cable	
6	Z8 39669	1	Erdungskabel MM 700earth cable 700 mm	
7	Z8 40191	1	KNOB D40 M6 THROUGHknob	
8	4081100185	1	clapet extension	
8	4081100186	1	CLAPET FILT. CHAMB. EXTENSION D400 SSss clapet extension	
1A	4083300442	1	STAR FILTER COMP.D400 ANTISTATIC CAT. MD400 ant. M star filter kit	
1A	4083300461	1	D400 ant. PTFE star filter kit	
2A	4089100916	1	KIT COMPLETE HEAD M.VHS110 Z22VHS110Z22 head kit	
2A	4085300396	1	TESTATA COMPLETA VHS110 230V INOX Z22ss VHS110Z22 head kit	
2A	4085300397	1	TESTATA COMPLETA VHS110 110V Z22 UKVHS110Z22 110V head kit	
3A	4089100791	1	KIT CLAPET MOD.VHSclapet kit	



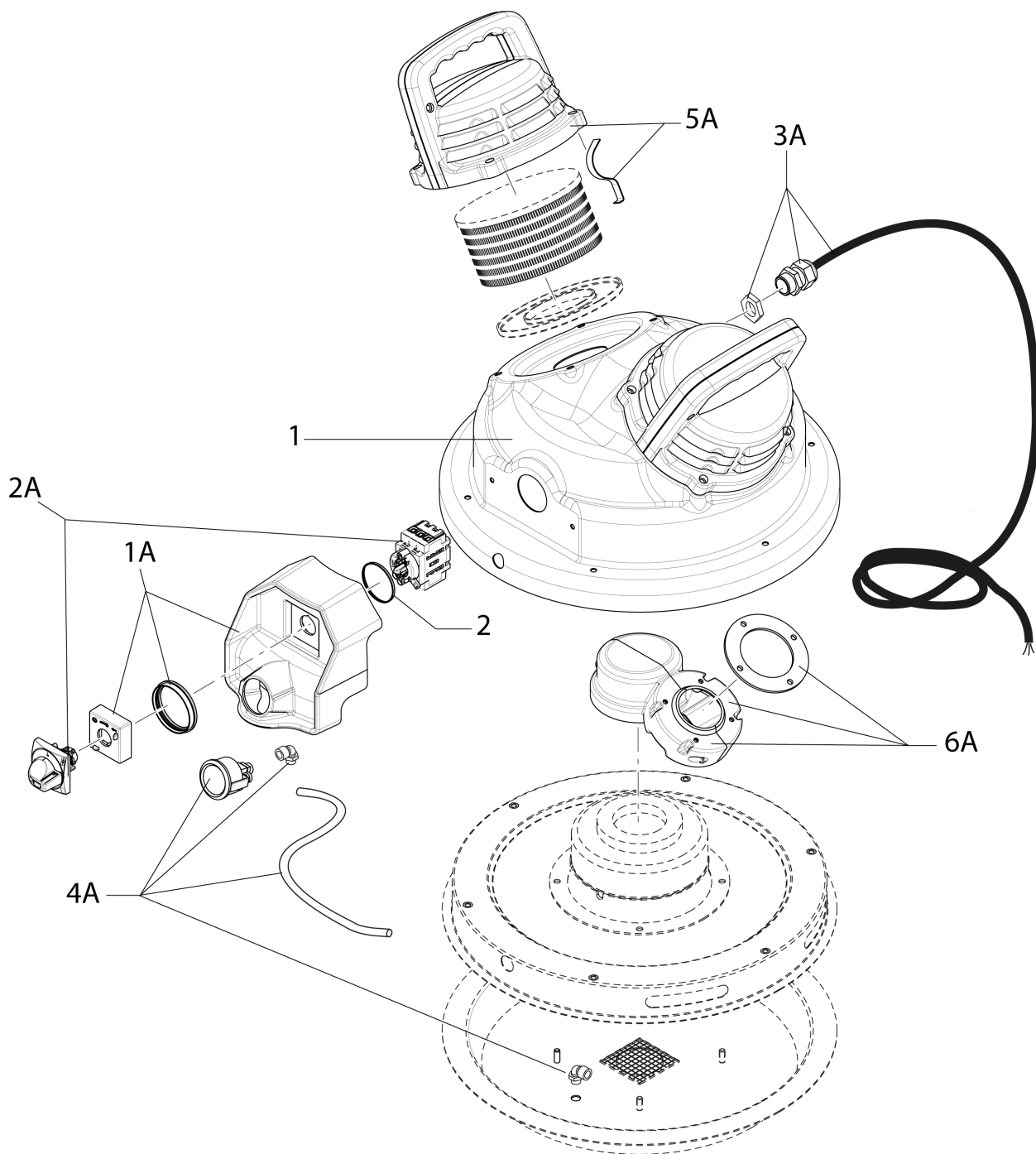
Pos.	Artikel-Nr.	Menge	Variante	Notes
1	8 17262	1	K1 ABSOLUTE FILTER	
1	Z8 17322	1	Aktivkohlefilter Ø 170 x 150 für VHW 360ACT.CARBONS FILTER D170x150 MOD. 118	
1A	4089101040	1	KIT CARBONS FILTER MOD.VHS110KIT CARBONS FILTER MOD.VHS110	
1A	40000511	1	KIT ABSOLUTE FILTER SUPPORT	
2A	4089100823	1	KIT FILTER COOLING AIR H14 VHS110-VHCZ1	



Pos.	Artikel-Nr.	Menge	Variante	Notes
1	4081600978	1	BRUSHLESS MOTOR HOLDER D400	[1]
2	4081400850	4	SPACER	
3	4081600976	1	MOTOR SUPPORT VHS110	
1A	4089100799	1	KIT FILTER INTERFERENCE MOD.VHS	
2A	4089100801	1	KIT CABLE MOTOR MOD.VHS V230	[1]
2A	4089100808	1	KIT CABLE MOTOR MOD.VHS V110	
3A	4089100806	1	KIT REACTOR MOD.VHS110 C2D2	
4A	4089100800	1	KIT MOTOR MOD.VHS V230	
4A	4089100807	1	KIT MOTOR MOD.VHS V110	
5A	4089100819	1	KIT JOINT HEAD MOD.VHS110	
6A	4089101029	1	SOUND-PROOF VHS110 KIT	

Part Notes:

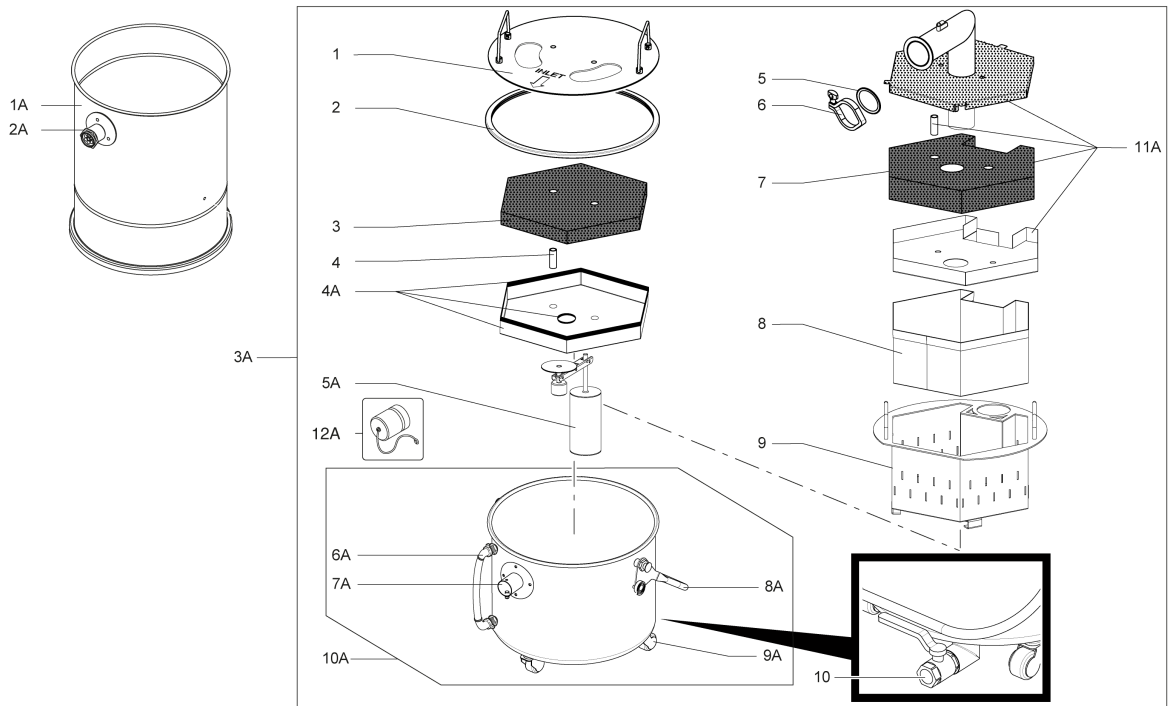
[1] - CONTACT PM IN ZOCCA



Pos.	Artikel-Nr.	Menge	Variante	Notes
1	4081600946	1	MOTOR COVER VHS110 RAL7016	
1	4081600975	1	COPRIMOTORE VHS110 INOX	
2	4084001289	1	OR NBR 70 19X2	
1A	4089100797	1	KIT COVER MAIN SWITCH MOD.VHS	
2A	4089100798	1	KIT MAIN SWITCH MOD.VHS	
3A	4089100820	1	KIT CABLE POWER MOD VHS110 V230	
3A	4089101028	1	KIT POWER CABLE MOD VHS110 V110	
4A	4089100821	1	KIT VACUUM GAUGE MOD.VHS110	
5A	4089100822	4	Haube Absolutfilter Mod. VHS110	
6A	4089100824	1	KIT CONVEYER AIR HEAD MOD.VHS110	[1]

Part Notes:

[1] - CONTACT PM IN ZOCCA



Pos.	Artikel-Nr.	Menge	Variante	Notes
1	4081200663	1	DISCO PORTA GUARNIZIONE D400 INOX	
2	4081701400	1	GASKET OIL TIGHT D350	
3	4081701569	1	DISK FOR HEX. POLYUR.FIL. 20PPI H15 FLAR	
4	4081400956	2	DISTANZIALE PER PAD IMMERS.SEP.INOX H23	
5	4084001363	1	SEAL CLAMP 2" VITON	
6	Z58 40135	1	COLLAR CLAMP 2	[1]
7	4081701568	1	DISK FOR HEX. POLYUR. FIL. 20 PPI H50	
8	4081701571	1	FILTER SLIME 100 M.D400 I.S.BUTTONHOLES	
9	4083001026	1	COLLECTING BASKET HOLE IMM. S. D400 SS	
10	4084001285	1	VALVE SPHERE MAN. 1' F/F SS 316	[1]
1A	4056000939	1	I.S. COMPLETE FILTER CHAMBER KIT D400 SS	
2A	4056000940	1	I.S. VALVE AIR VENT KIT 1' 1/2	
3A	4056000936	1	KIT IMM.SEPARATOR D.400 FLOATER	
4A	4089101085	1	COMPL. PLATE FLOATER HOLDER KIT SS IS	
5A	4056000941	1	I.S. FLOATER KIT D70 SS	
6A	4056000942	1	I.S. LEVEL CONTROL KIT	
7A	4089101020	1	KIT INLET D50 FOR ATEX COMPLETE	
8A	4089100795	1	KIT HANDLE FOR CONTAINER SS MOD.VHS	
9A	40000359	1	Lenkrolle	
10A	4089101083	1	COMPLETE CONTAINER KIT D400 SS I.S. 2021	
11A	4089101084	1	COMPL.CLOSURE W.DEFLECTOR KIT SS IS 2021	
12A	4072000414	1	VERSCHLUSS FÜR EINLASS D50 SS ATEX KPL.	

Part Notes:

[1] - CONTACT PM IN ZOCCA

