

# PARTS LIST

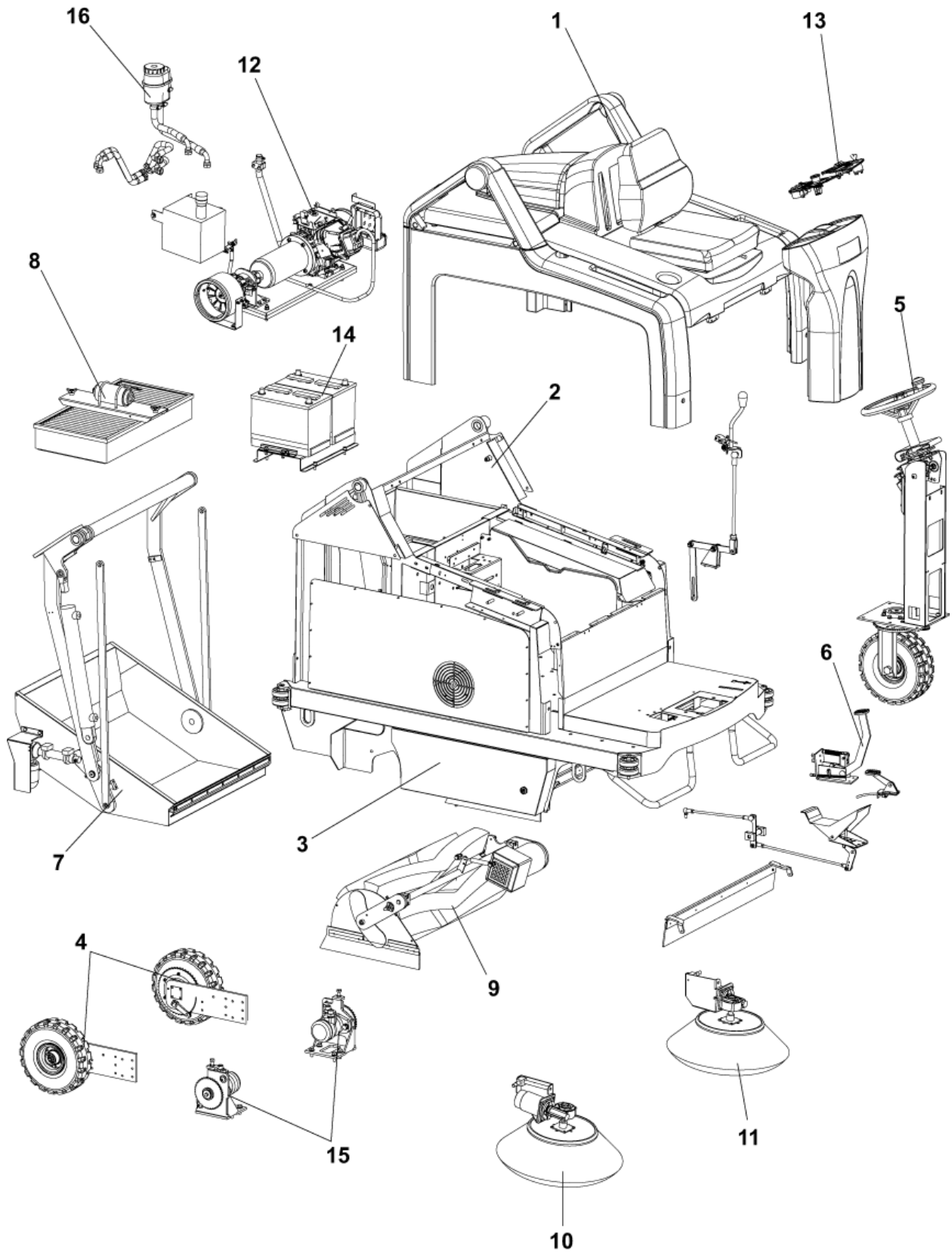


2018.11.25

# TABLE OF CONTENTS

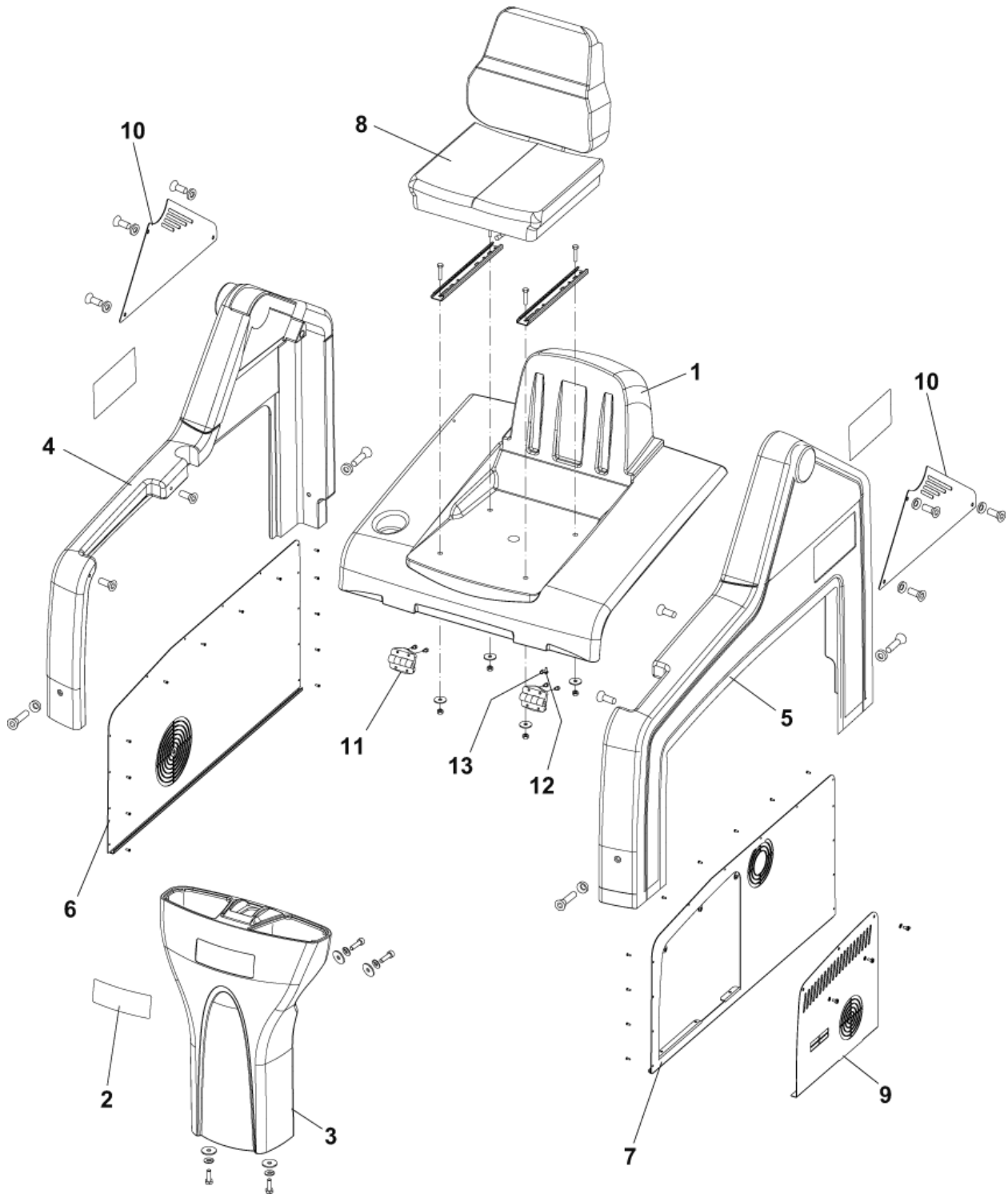
---

General view .....	1
Rotomolded assembly .....	3
Chassis assembly .....	5
Panels assembly .....	7
Steering assembly .....	9
Antrieb Baugruppe .....	11
Control pedals assembly .....	13
Waste container assembly .....	15
Filter assembly .....	17
Vacuum motor .....	19
Main broom control assembly .....	21
Main broom assembly .....	23
Right side broom assembly .....	25
Petrol engine assembly .....	27
Tank assembly .....	29
Petrol engine .....	31
Hydraulic pump .....	33
Control panel assembly .....	35
Hydraulic system .....	37
Hydraulic hoses .....	39
Electrical components .....	41
Accessory: Left side broom kit .....	43
Accessories: Working light kit and Flashing beacon kits .....	45
Accessories: Over head guard kit and Cloth pocket filter .....	47
Recommended spare parts .....	49



---

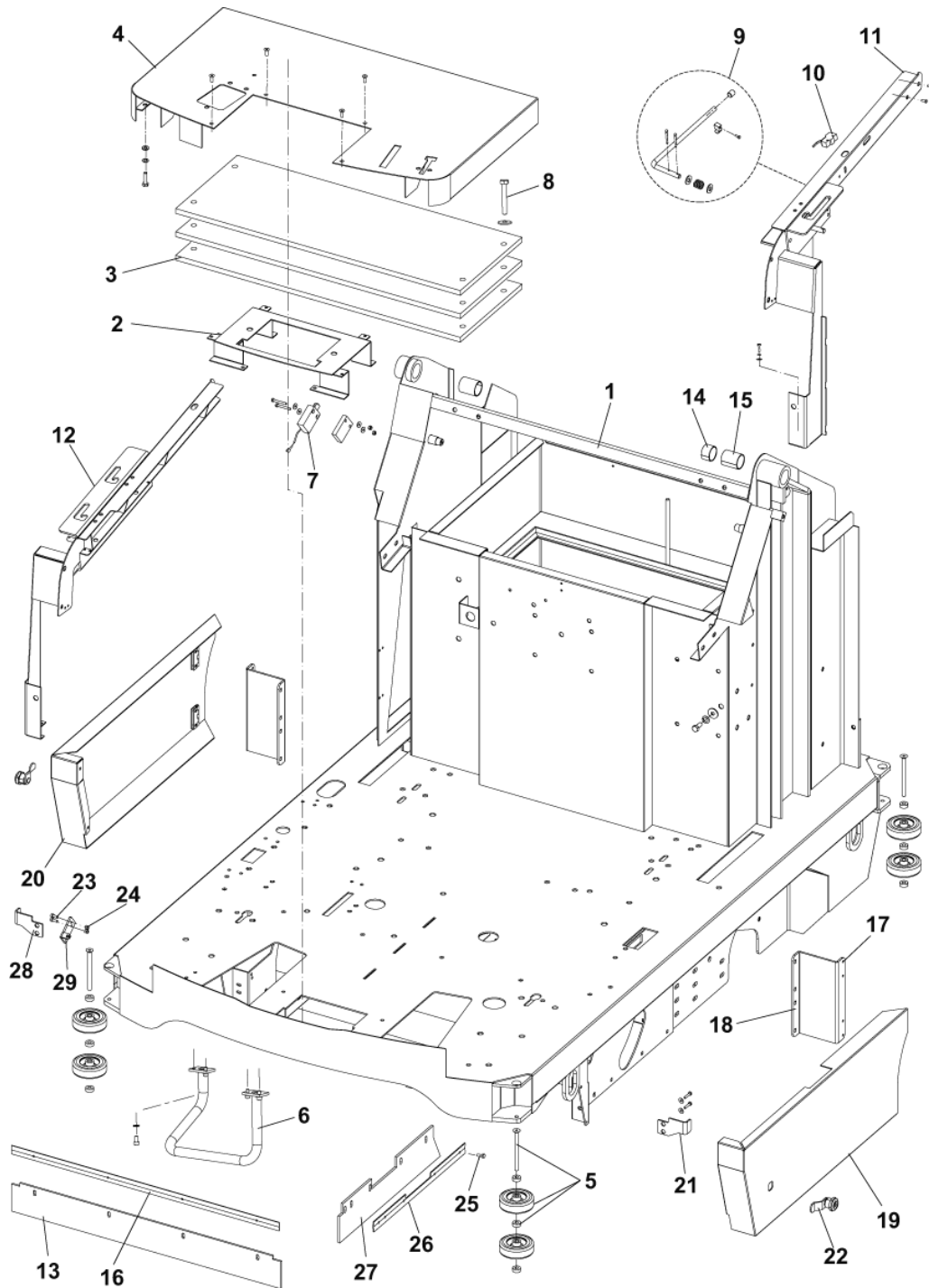
Pos.	Artikel-Nr.	Menge	Variante	Notes
------	-------------	-------	----------	-------



Pos.	Artikel-Nr.	Menge	Variante	Notes
01	146 2865 000	1	BONNET SEAT HOLDER KIT	[1]
02	1463763000	1	DECALS FLOORTEC R 680 P KIT	[2]
03	1465971000	1	COVER FRONT BLUE-DECAL NILFISK-ALTO KIT	[1]
04	1463765000	1	Abdeckung rechts, Kit	[1]
05	1463766000	1	Abdeckung, links, Kit	[1]
06	1463767000	1	PANEL RIGHT SIDE KIT	[1]
07	1463768000	1	PANEL LEFT SIDE KIT	[2]
08	145 5975 000	1	Fahrersitz f. SR 1300	
09	1463769000	1	HATCH PANEL LEFT SIDE KIT	[2]
10	1463770000	1	Schutzabdeckung, Kit	[3]
11	1463719000	1	Schanier	[1]
12	146 1184 000	1	HARDWARE ROTOM.ASSY KIT	[1]
13	L08239900	1	SCHELLE	

## Part Notes:

- [1] - STOCK COVERS GUARANTEE
- [2] - ITEM NO LONGER AVAILABLE
- [3] - SEE PI 2017-002



Resource notes:

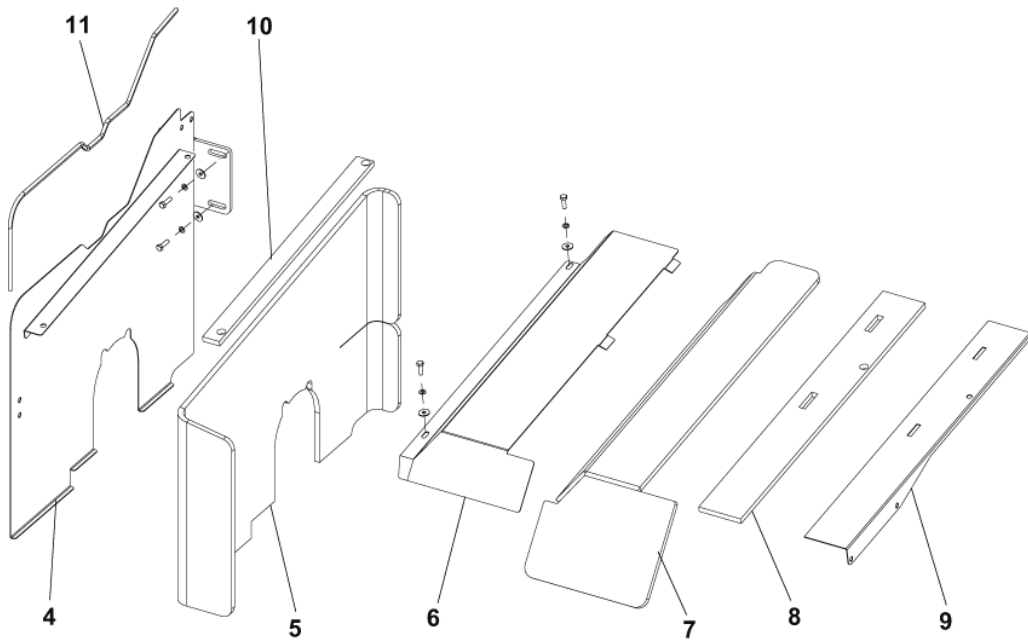
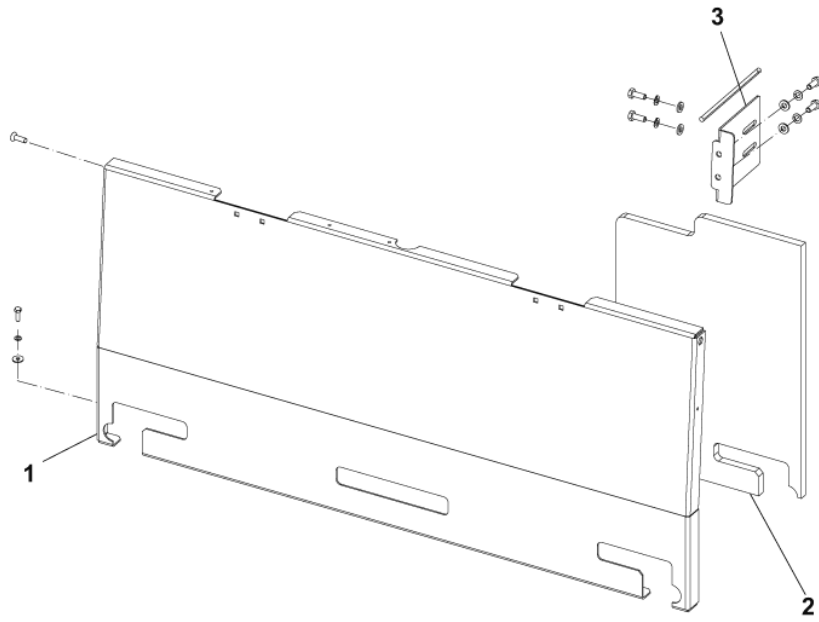
Position 0 not show 1464522000 key for 1463322000 opening

Pos.	Artikel-Nr.	Menge	Variante	Notes
00	1464522000	1	Schlüssel Floortec R 680	[1]
01	1463497000	1	CHASSIS BLACK	[2]
02	146 2401 000	1	SUPPORT FOOTBOARD MET. BLACK	[1]
03	146 1195 000	3	WEIGHT	[3]
04	1463771000	1	BOARD FOOT KIT	[1]
05	1463566000	1	Abweisrollenkit	
06	1463772000	1	Schutz-Kit rechte Seite	[1]
07	1463568000	1	Mikroschalter Kit	
08	146 2163 000	4	SCREW M10X70 HEX HD P/THD ISO4014	[1]
09	146 2164 000	1	BAR SAFETY F BONNET KIT	[1]
10	1466506000	1	MICROSWITCH 10A 250V PKD	
11	1463506000	1	SUPPORT LEVERS LEFT S235JR	[1]
12	1463505000	1	SUPPORT LEVERS RIGHT S235JR	[1]
13	146 1151 000	1	Schürze, hinten, n. mark.	
14	146 1033 000	1	BUSHING PAP 30 20 P10	
15	146 1050 000	2	BUSHING PAP 30 40 P10	[1]
16	145 4657 000	1	PLATE REAR SKIRT	[1]
17	33004563	8	Schraube	
18	146 0912 000	2	Halterung	
19	1463504000	1	Klappe, links	
20	1463503000	1	Abdeckung rechts in schwarz	
21	1463511000	1	Halter, links	[1]
22	1463322000	2	Verschluss m. Schlüssel	
23	33004328	6	Schraube M 5 x 16	
24	33005561	2	NUT LOCK HEX M5 ISO7040	[1]
25	145 5868 000	4	Schraube 4,8x19	[1]
26	145 5929 000	1	Halter SR 1100 ECO	
27	145 5927 000	1	Spritzgummi seitlich	
27	146 1150 000	1	Seitenschürze, n. mark.	
28	1463512000	1	BRACKET RIGHT BLOCK BLACK	[1]
29	1463325000	1	Gegenplatte	[1]

## Part Notes:

- [1] - STOCK COVERS GUARANTEE
- [2] - GUARANTEE DATE EXPIRED
- [3] - SEE PI 2017-002

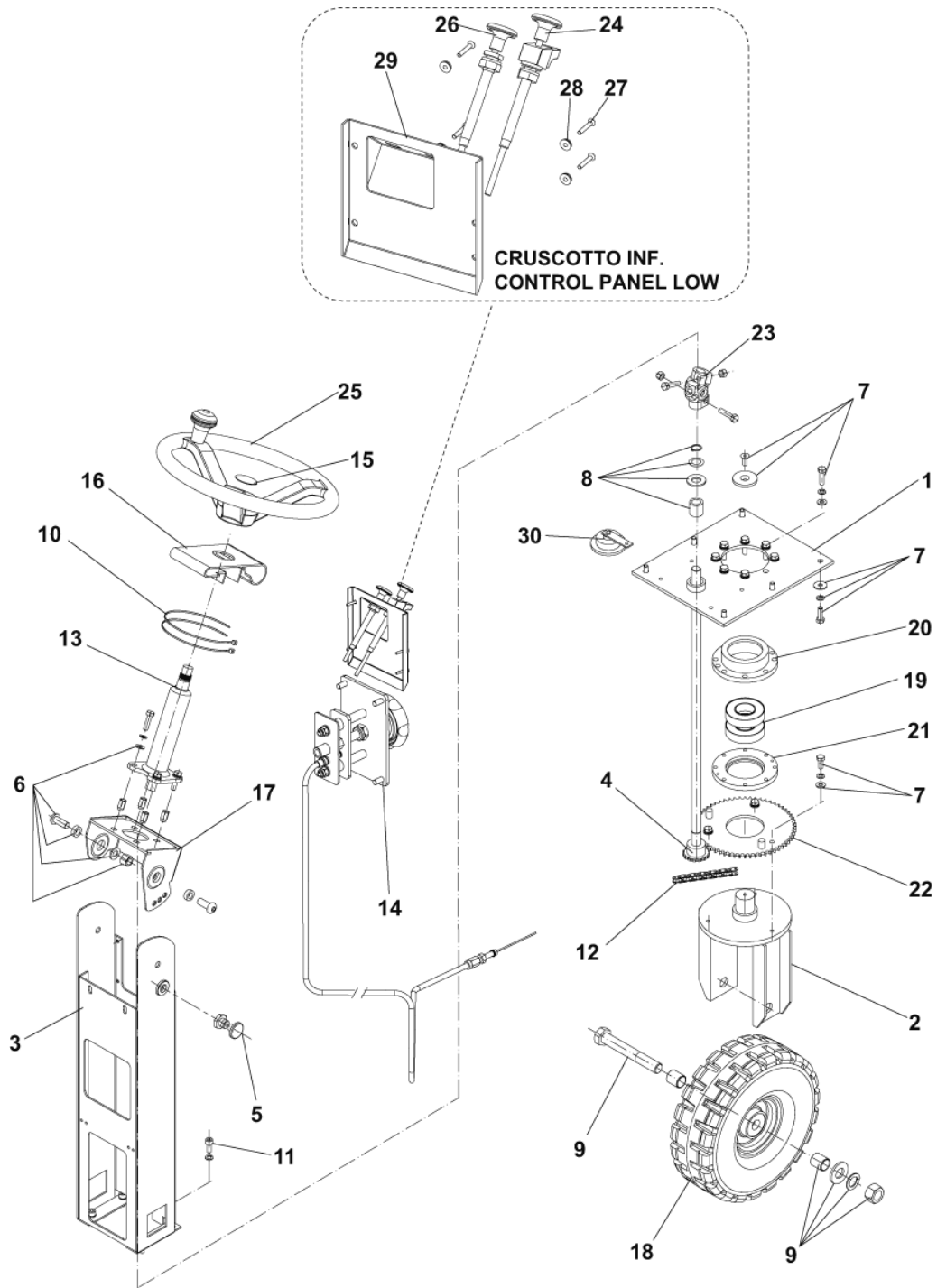




Pos.	Artikel-Nr.	Menge	Variante	Notes
01	1463773000	1	PANEL FRONT KIT	[1]
02	1463425000	1	PANEL INSULATING FOR FRONT PANEL	[1]
03	1463570000	3	BRACKET REAR KIT	[2]
04	1463572000	1	PANEL INSIDE KIT	[2]
05	1463423000	1	PANEL INSULATING FOR PANEL	[1]
06	1463571000	1	Blende	[3]
07	1463424000	1	PANEL INSULATING FOR COVER PANEL	[1]
08	146 1736 000	1	PROTECTION. PETROL ENGINE	[3]
09	146 1746 000	1	SUPPORT.ENGINE PROTECTION	[4]
10	1463429000	1	PANEL INSULATING FOR SUPPORTING COVER	[1]
11	146 2186 000	1	GASKET RUBBER L.780MM	[3]

## Part Notes:

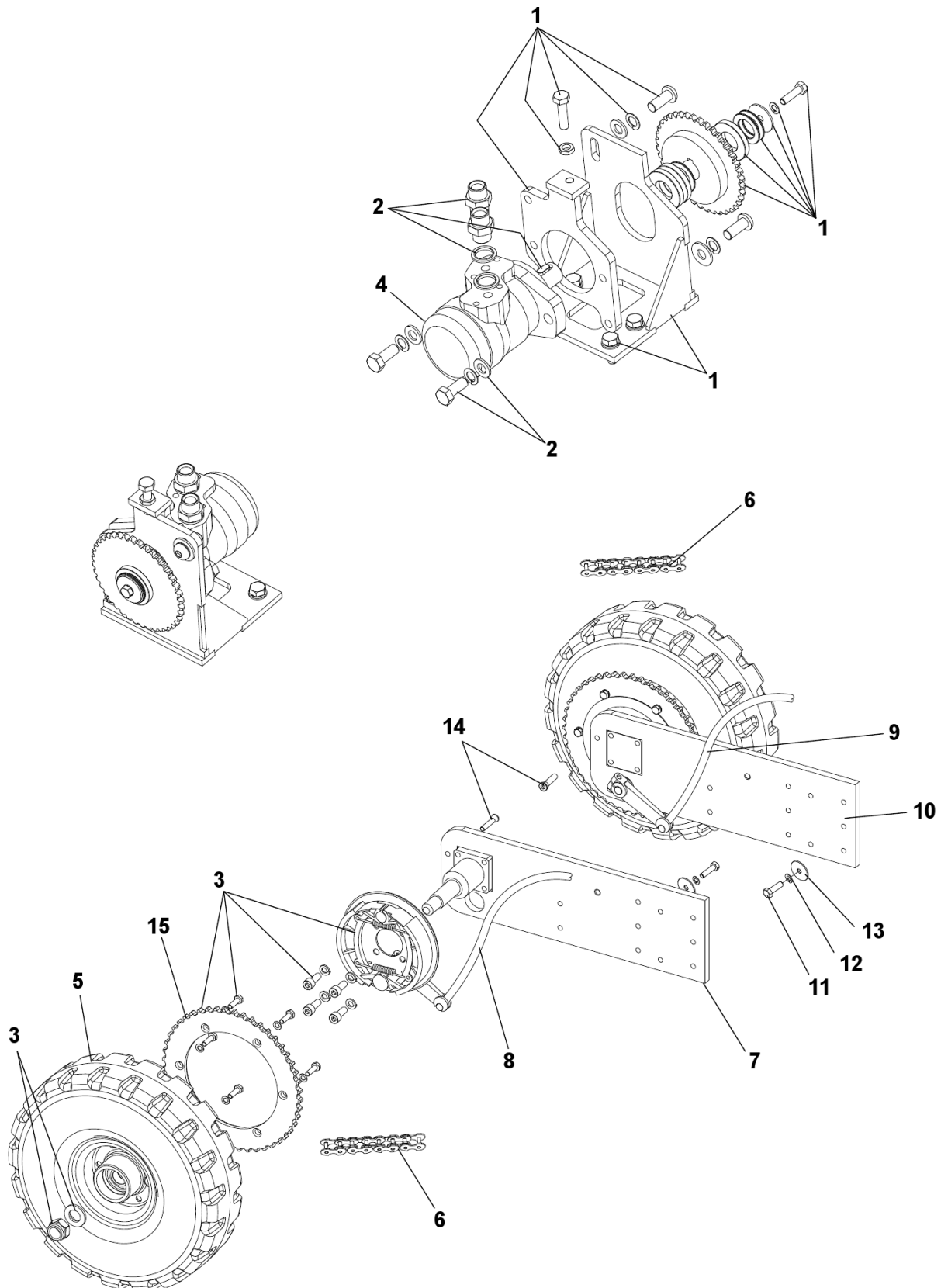
- [1] - SEE PI 2017-002
- [2] - ITEM NO LONGER AVAILABLE
- [3] - STOCK COVERS GUARANTEE
- [4] - Pls. refer to PI 2017-002



Pos.	Artikel-Nr.	Menge	Variante	Notes
01	1463432000	1	PLATE SUPPORTING	[1]
02	145 5662 000	1	Support	[1]
03	1463508000	1	STEERING COLUMN	[1]
04	1463430000	1	SHAFT STEERING	[1]
05	146 0961 000	1	Sperrriegel	
06	1463576000	1	COLUMN STEERING KIT	[1]
07	1463577000	1	HARDWARE SHAFT STEERING KIT	[1]
08	1463578000	1	HARDWARE PLATE SUPPORTING KIT	[1]
09	1463579000	1	Befestigungs-Kit	
10	1466337000	1	TIE CABLE 4.8X430 WHITE 2 PCS SET	
11	33004365	4	SCREW M8X20 UNI5931	
12	1463431000	1	Kette 3/8	[1]
13	1466525000	1	COLUMN STEERING SIP	
14	1463315000	1	CONTROLLER MAIN BROOM	
15	1467031000	1	CAP PKD	
16	146 1668 000	1	PROTECTION	[1]
17	146 2030 000	1	Halterung	[1]
18	146 0329 000	1	Antriebsrad, vorne, n. mark.	
18	146 1876 000	1	Frontrad	
19	145 2357 000	2	Kugellager 6207-2RS	
20	145 2586 000	1	FLANGE	
21	145 2587 000	1	FLANGE	
22	145 2714 000	1	Kranz	
23	1466319000	1	JOINT UNIVERSAL D.17 PKD	
24	146 0991 000	1	Bremskabel SR 1300 H	
25	1467048000	1	STEERING WHEEL D.362 TAPER 1/19.26 SIP	
26	1463362000	1	Anlasserkabel	[1]
27	146 0963 000	4	Schraube M4x25	
28	145 4514 000	4	WASHER FLARING M4X12 NYLON	[1]
29	1463507000	1	SUPPORT LEVERS BELOW S235JR	[1]
30	1467032000	1	HORN 24V 112DB SIP	

## Part Notes:

[1] - STOCK COVERS GUARANTEE



Resource notes:

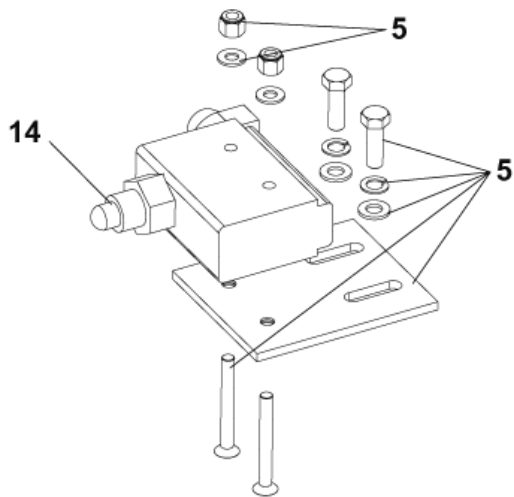
pos.3 1465125000 for model before SN 3810120700103 pos.3 1465126000 for model starting from SN 3810120700103 position 8 - 9 146 2335 000 - 146 2336 000 for model before SN 3810120700103 position 8 - 9 1465111000 - 1465112000 for model starting from SN 3810120700103

Pos.	Artikel-Nr.	Menge	Variante	Notes
00	146 0908 000	1	Zahnriemenscheibe Z48 1/2	[1]
01	1463573000	1	SUPPORT HYDRAULIC MOTOR KIT	[2]
02	1463574000	1	HARDWARE HYDRAULIC MOTOR KIT	[2]
03	1465126000	2	Bremskit hinten	[3]
03	1465125000	2	BRAKING SYSTEM KIT	[4]
04	1463378000	2	Hydraulikmotor	[5]
05	146 1875 000	2	Hinterrad	
05	146 0330 000	2	Rad hinten, n. mark.	
06	146 1057 000	2	Kette	[5]
07	146 0879 000	1	Bremshebel	
08	146 2335 000	1	Bremskabel rechts	[5]
08	1465111000	1	CABLE RIGHT BRAKE	[5]
09	1465112000	1	CABLE LEFT BRAKE	[5]
09	146 2336 000	1	Bremskabel links	[5]
10	146 0880 000	1	Halterung f. Rad, links	[5]
11	909 5361 000	18	SCREW M8X20 HEX HD ISO4017 SCOTCH-GRIP	[5]
12	33005842	18	U-Scheibe	
13	1467727000	18	WASHER PLAIN M12X48 ISO7093 5PCS SET	
14	33004590	2	SCREW M8X16 C/SUNK FLAT HD HEX ISO10642	
15	146 0908 000	1	Zahnriemenscheibe Z48 1/2	[5]

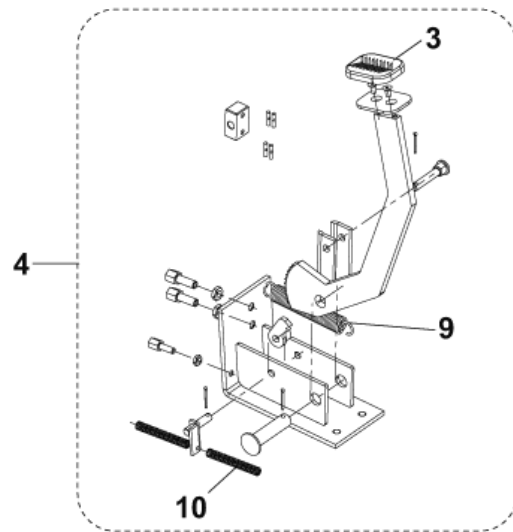
Part Notes:

- [1] - not shown  
STOCK COVERS GUARANTEE
- [2] - ITEM NO LONGER AVAILABLE
- [3] - for model after SN 3810120700103  
STOCK COVERS GUARANTEE
- [4] - for model before SN 3810120700103  
STOCK COVERS GUARANTEE
- [5] - STOCK COVERS GUARANTEE

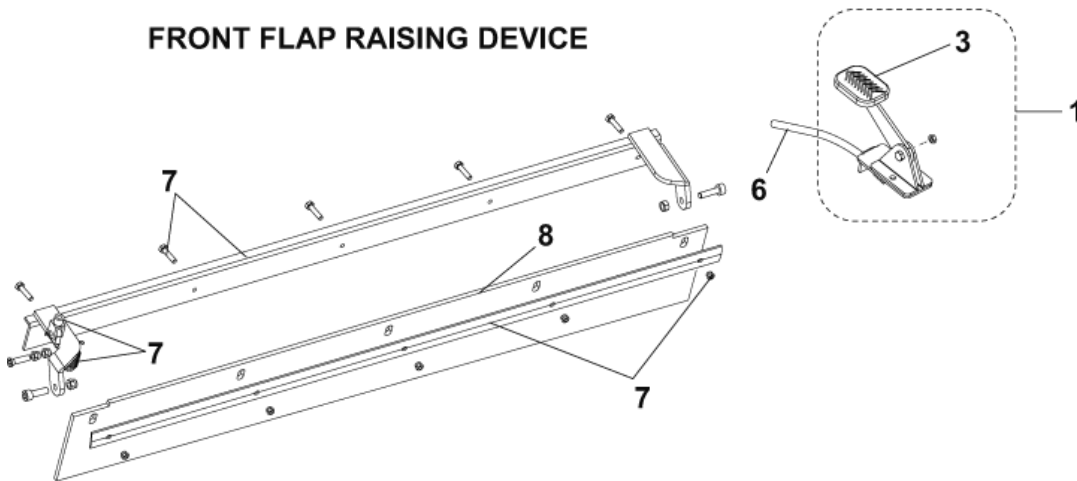
**MICROSWITCH BACKWARD ASSEMBLY**



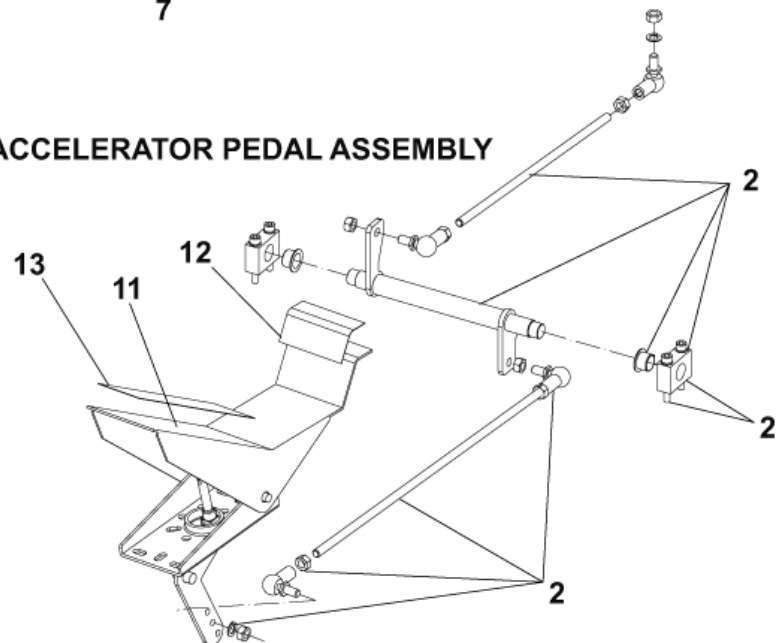
**BRAKE PEDAL ASSEMBLY**



**FRONT FLAP RAISING DEVICE**



**ACCELERATOR PEDAL ASSEMBLY**

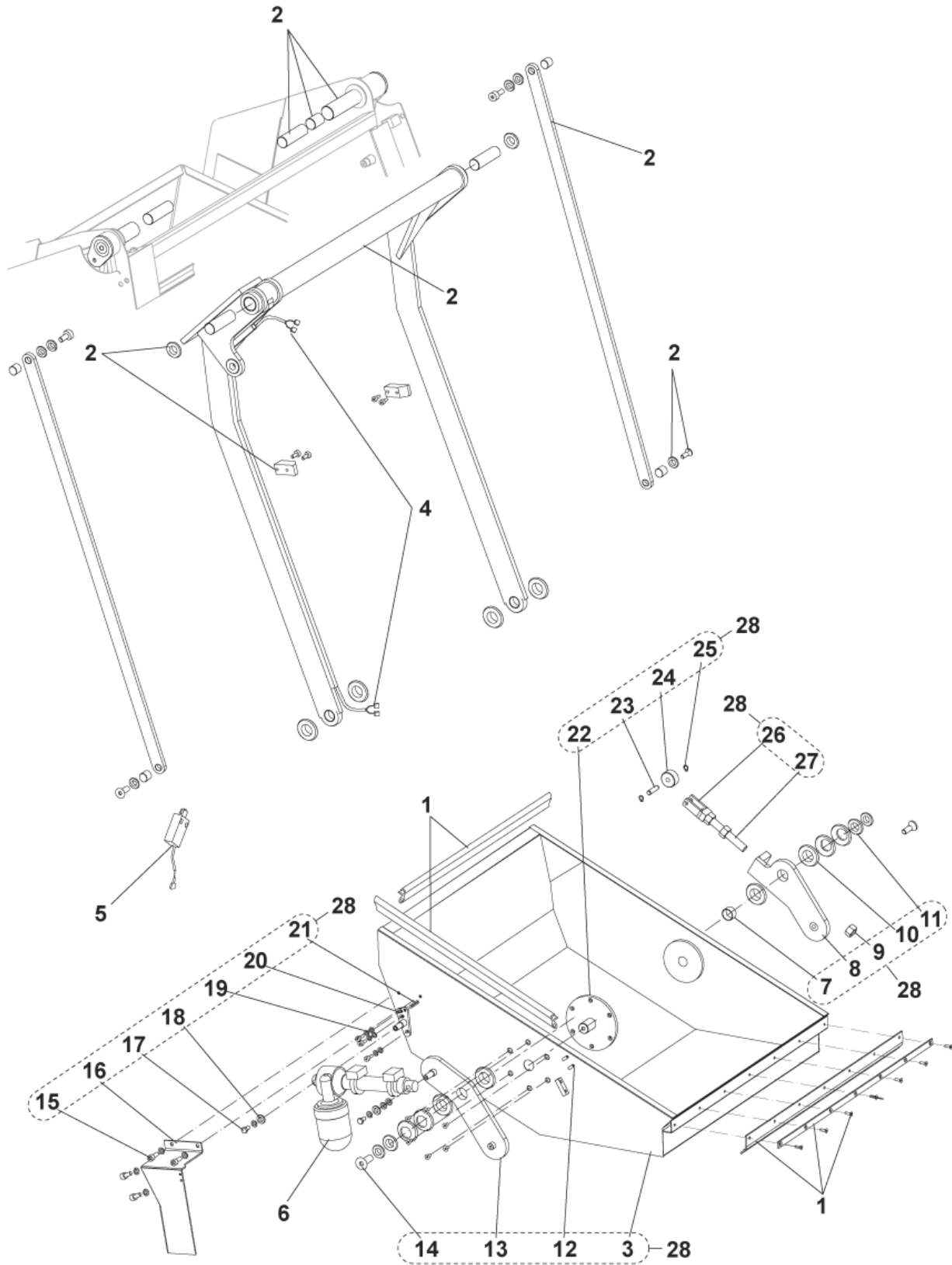


Pos.	Artikel-Nr.	Menge	Variante	Notes
01	1463582000	1	PEDAL SKIRT RAISING DEVICE KIT	[1]
02	1463731000	1	Gestänge f. Gaspedal	[1]
03	145 8478 000	2	Pedal gummi	
04	1463744000	1	BRAKE PEDAL KIT	[2]
05	1463580000	1	HARDWARE MICROSWITCH KIT	[3]
06	1463363000	1	CABLE SKIRT RAISING DEVICE	
07	1463581000	1	SKIRT RAISING DEVICE KIT	
08	146 1152 000	1	Schürze, vorne, n. mark.	
09	146 0986 000	1	SPRING	
10	145 1935 000	2	Spring	
11	146 1091 000	1	Pedal	[1]
12	146 1074 000	1	TAPE ADHESIVE ANTISLIP L. 75 KIT	[1]
13	146 0888 000	1	Matte, rutschfest	[1]
14	145 8854 000	1	Microschalter AZ7310	[1]

## Part Notes:

- [1] - STOCK COVERS GUARANTEE
- [2] - SEE PI 2017-002
- [3] - ITEM NO LONGER AVAILABLE

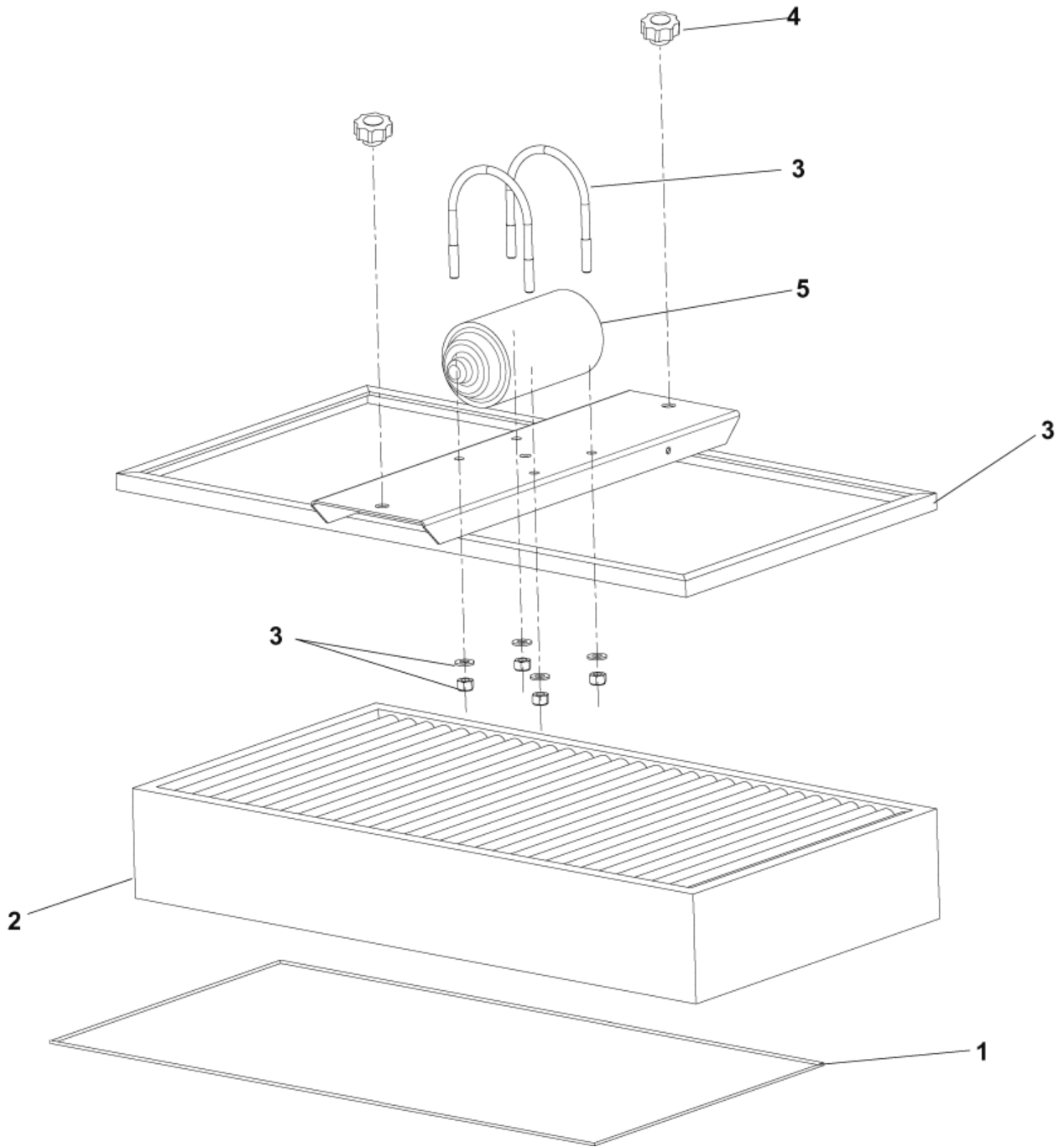




Pos.	Artikel-Nr.	Menge	Variante	Notes
1	1463584000	1	Dichtungen	
2	1463774000	7	ARMS BLACK WASTE HOPPER LIFTING KIT	[1]
3	146 2412 000	1	HOPPER WASTE BLACK	[1]
4	146 1994 000	1	HARNESS CONTAINER	[2]
5	1463568000	1	Mikroschalter Kit	[3]
5	1464134000	1	Mikroschalter-Kit	[4]
6	146 0929 000	1	Spindelmotor 24VSR 1300 HB	
8	146 0930 000	1	ARM LT HOPPER WASTE	[1]
13	146 1227 000	1	Abfallcontainer, Rechte Seite	[1]
16	146 2413 000	1	PROTECTION.JACK MOTOR	[1]
20	146 0994 000	1	Bolzen	
22	146 0993 000	1	Halteplatte	[1]
26	146 0934 000	1	FORK M16	[1]
27	146 0937 000	1	ROD THREADED M16X135MM DIN975	[1]
28	1463775000	1	Einsetzbehälter Set	[5]

## Part Notes:

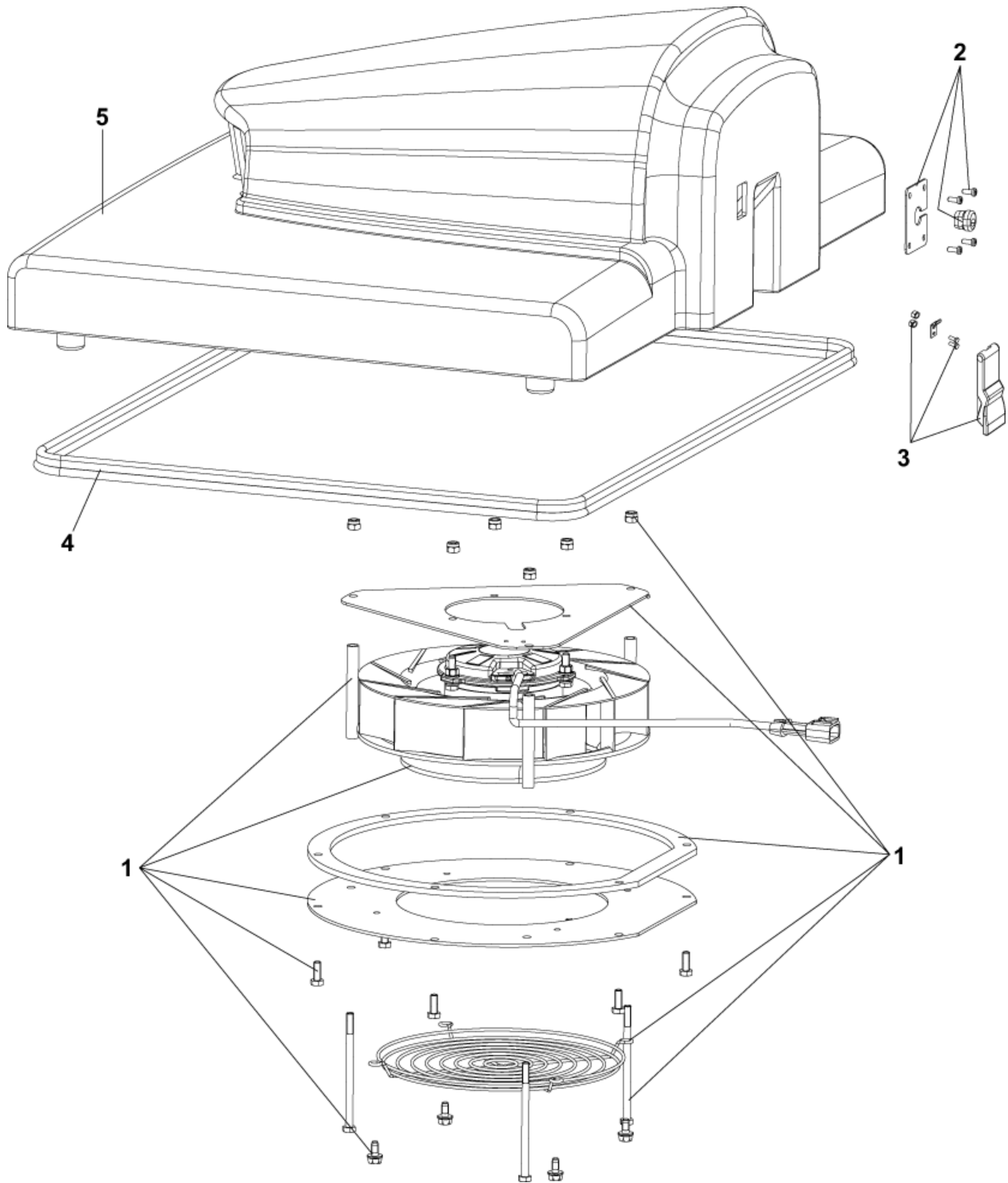
- [1] - STOCK COVERS GUARANTEE
- [2] - ITEM NO LONGER AVAILABLE
- [3] - BEFORE SN 090602697
- [4] - STOCK COVERS GUARANTEE  
STARTING FROM SN 090602697
- [5] - (ITEM 3-7-8-9-10-11-12-13-14-15-16-17-18-19-20-21-22-23-24-25-26-27)



Pos.	Artikel-Nr.	Menge	Variante	Notes
01	146 1158 000	1	GASKET ADHESIVE 15X10 L.1950MM	
02	145 6013 000	1	Staubfilter, Polyester, waschbar	
02	1463523000	1	Filter Papier Panel	
03	1463776000	1	BefestigungsKit	[1]
04	145 5035 000	2	Griffmutter M 8	
05	145 5539 000	1	Motor Filtershak.	

## Part Notes:

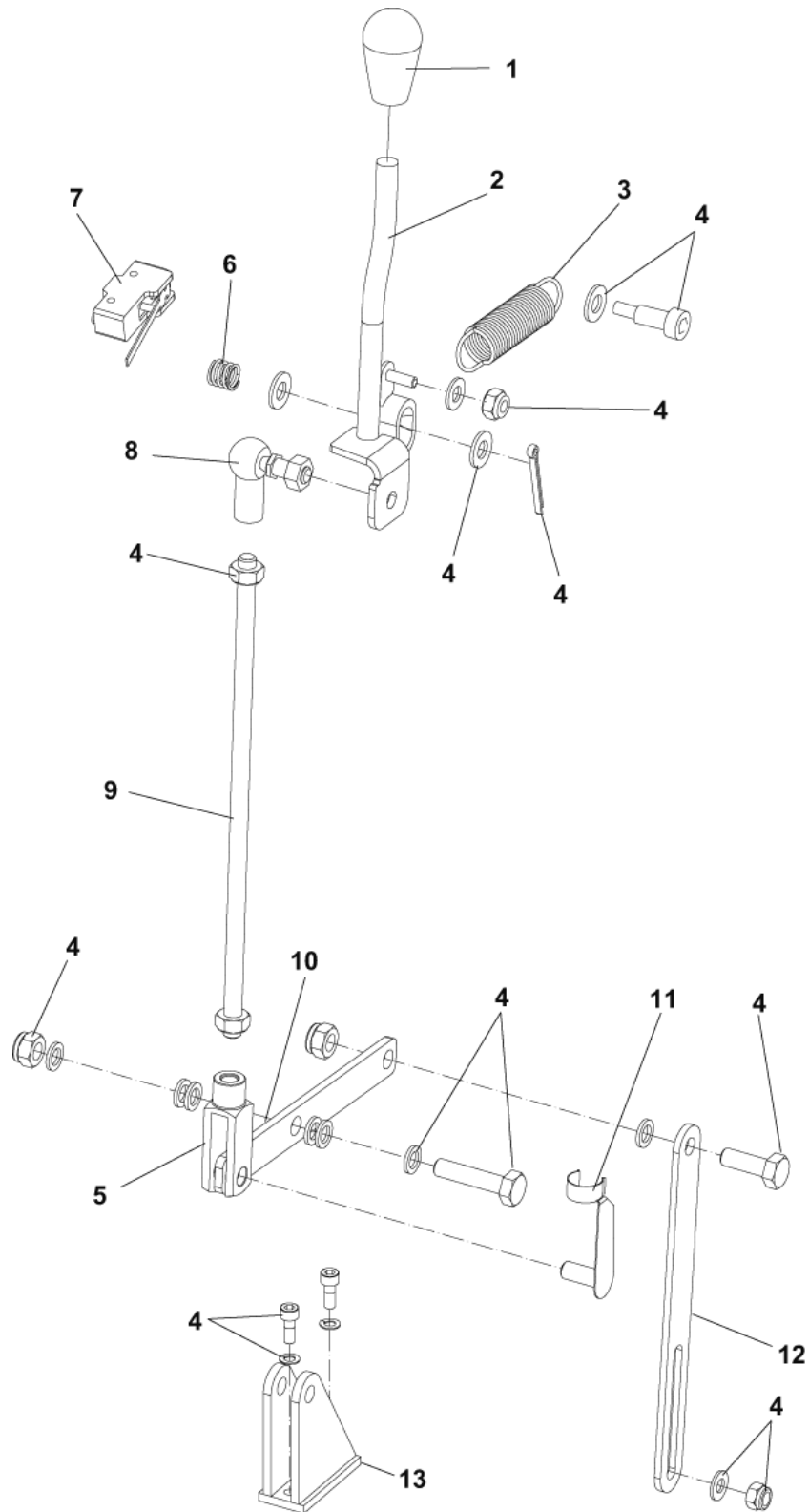
[1] - STOCK COVERS GUARANTEE



Pos.	Artikel-Nr.	Menge	Variante	Notes
01	1464927000	1	FAN RADIAL 24V KIT	
02	1463589000	1	CABLE MOTOR VACUUM KIT	[1]
03	1463590000	1	Verschlusskit	
04	146 1147 000	1	Dichtung	
05	1463307000	1	SUPPORT VACUUM MOTOR	[1]

Part Notes:

[1] - STOCK COVERS GUARANTEE

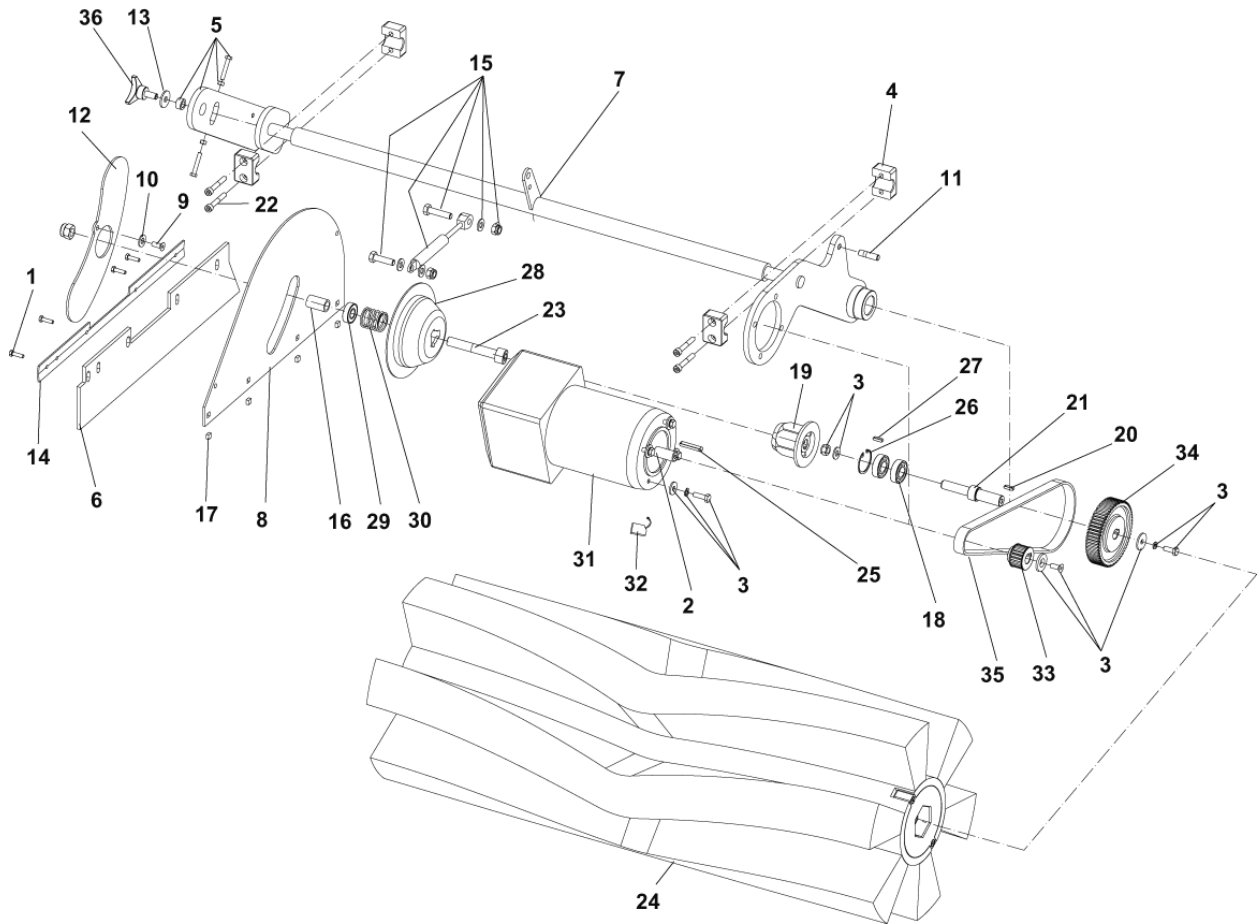


Pos.	Artikel-Nr.	Menge	Variante	Notes
01	146 0975 000	1	Knopf	[1]
02	1463318000	1	Hebel f. Kehrwalze	
03	1467039000	1	SPRING TRACTION CARBON STEEL SIP	
04	1463591000	1	HARDWARE CONTROLLER MAIN BROOM KIT	[1]
05	145 9666 000	1	Gabelstück M10	
06	145 9578 000	1	SPRING	[1]
07	1466506000	1	MICROSWITCH 10A 250V PKD	
08	145 9769 000	1	BALL JOINT M10	
09	1463468000	1	ROD THREADED M10X300MM DIN975	[1]
10	1463328000	1	Haltewinkel	[1]
11	145 4540 000	1	Federring	
12	1463329000	1	LEVER F MAIN BROOM LIFTING	[1]
13	146 0949 000	1	SUPPORT BRACKET GALV.	[1]

## Part Notes:

[1] - STOCK COVERS GUARANTEE

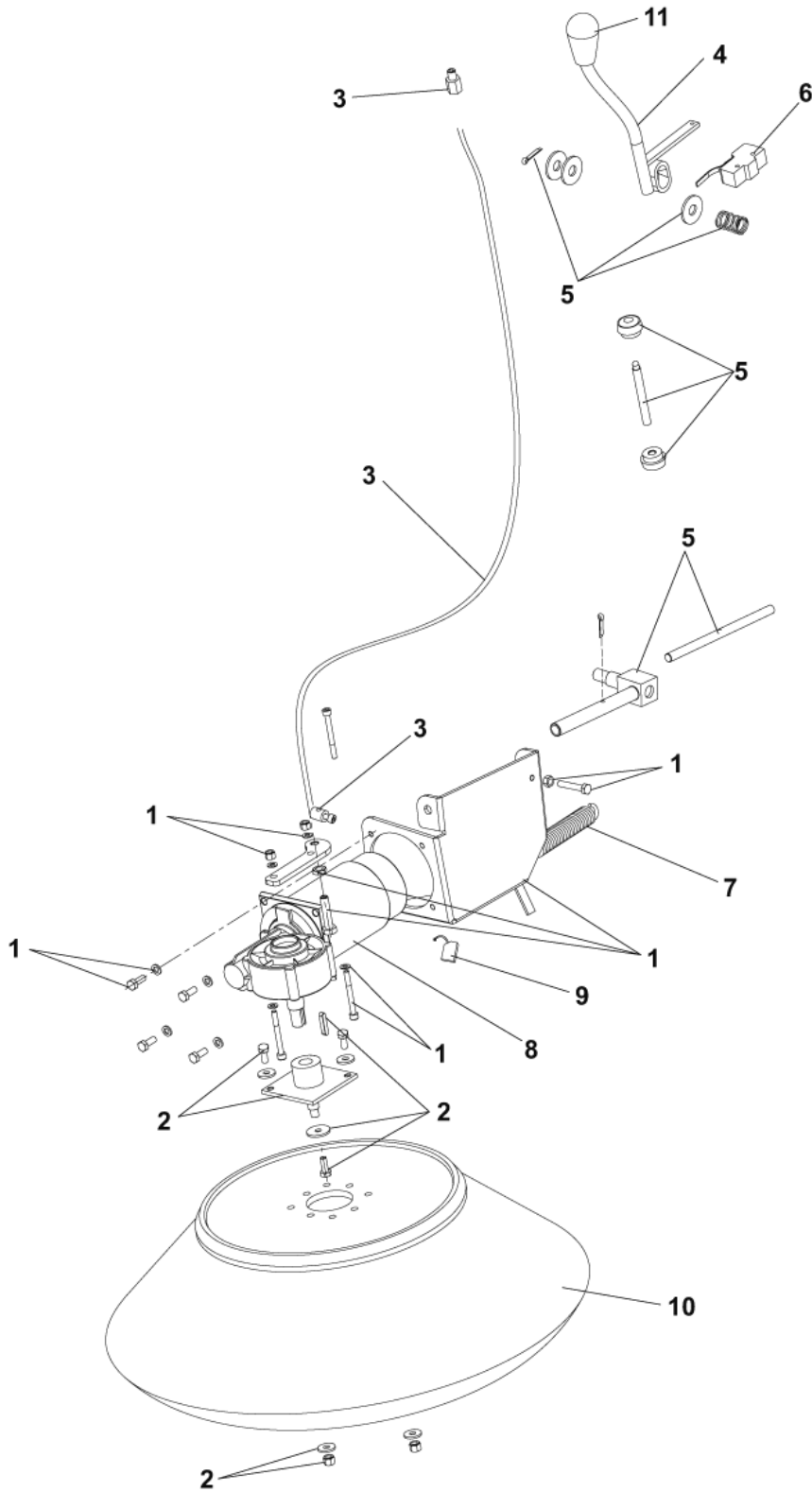




Pos.	Artikel-Nr.	Menge	Variante	Notes
01	145 5868 000	4	Schraube 4,8x19	[1]
02	145 1950 000	1	Abstandhalter	[1]
03	1463593000	1	HARDWARE MAIN BROOM KIT	
04	1466733000	4	CLAMP PIPE FIXING D.18 -PAIR- SIP	
05	146 1238 000	1	Halter für Hauptbürste	
06	146 1150 000	1	Seitenschürze, n. mark.	
06	145 5927 000	1	Spritzgummi seitlich	
07	1463320000	1	Achse	
08	1463509000	1	HATCH RGT CLOSING MAIN BROOM SPACE BLACK	[1]
09	33004576	1	Schraube M6 x 16	
10	33023208	1	WASHER M8 UNI6592 10 PCS SET	
11	1463529000	1	Gewindebolzen M8X30	[1]
12	1463530000	1	Dichtung	
13	L08300000	1	Beilagsscheibe 8x24	
14	145 5929 000	1	Halter SR 1100 ECO	
15	1463592000	1	SPRING GAS KIT	
16	145 2662 000	1	Scheibe 12x17x28	
17	33023655	4	NUT HEX M5 MEDIUM ISO4032 10PCS.SET	
18	1467637000	2	BEARING BALL 6002 2RS SIP	
19	1463877000	1	Steckzapfen Hauptbesen	[2]
20	146 1489 000	1	Keil 4x4x15	
21	145 1791 000	1	Welle Kehrwalze SR 1100Eco	
22	33004350	4	SCREW M6X40 CAP HD HEX SOCK ISO4762	
23	33004442	1	Schraube M12x60	[1]
24	146 1018 000	1	Kehrwalze 300x800 mm, PP 0,8	
24	145 4963 000	1	Kehrwalze 300x800 mm, Stahlmix	
24	145 6135 000	1	Kehrwalze 300x800 mm, Naturborsten	[3]
25	146 0830 000	1	Keil 5X5X36 UNI6604A	
26	33006162	1	RING D 32 UNI7437	[1]
27	145 8197 000	1	Keil 4x4x20	
28	1467023000	1	HUB LEFT MAIN BROOM PKD	
29	44905699	1	BEARING BALL 6001 2RS PKD	
30	1467024000	1	SPRING PKD	
31	146 2792 000	1	Motor	
32	1464432000	1	Kohle Kit 4 Stück	
33	145 1849 000	1	Riemenscheibe SR 5110	
34	145 1850 000	1	Riemenscheibe	
35	145 1851 000	1	Zahnriemen HTD 710 5M 15	
36	145 5035 000	1	Griffmutter M 8	

Part Notes:

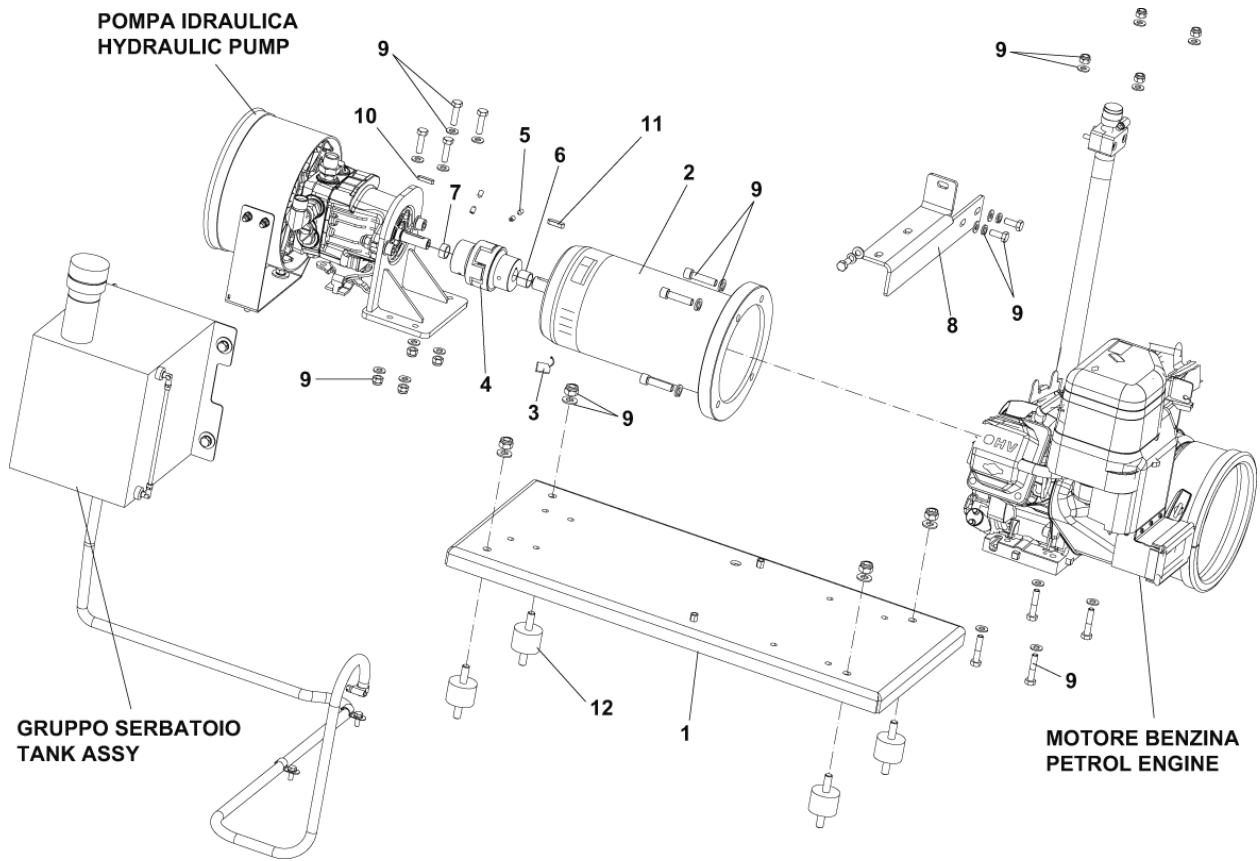
- [1] - STOCK COVERS GUARANTEE
- [2] - SEE TSB IT 2008-023
- [3] - PI 2015-001 TTY



Pos.	Artikel-Nr.	Menge	Variante	Notes
01	1463777000	1	SUPPORT REDUCTION GEAR MOTOR KIT	[1]
02	1463595000	1	Aufnahmekit SeitenbesenSR1301	
03	1463596000	1	CABLE RIGHT SIDE BROOM KIT	
04	1463371000	1	LEVER RIGHT SIDE BROOM	[1]
05	1463597000	1	HARDWARE SIDE BROOM KIT	[1]
06	1466506000	1	MICROSWITCH 10A 250V PKD	
07	146 0986 000	1	SPRING	
08	146 1039 000	1	Motor f.Seitenbesen	
09	145 5125 000	2	Kohle Seitenbesen-motor SR 1100/ECO	
10	146 1148 000	1	Seitenbesen 280x500	[2]
10	146 1025 000	1	Seitenbesen 280x500 mm, PP 1-1,4	
10	146 1149 000	1	Seitenbesen 280x500 mm, Stahlmix	
11	146 0975 000	1	Knopf	[1]

## Part Notes:

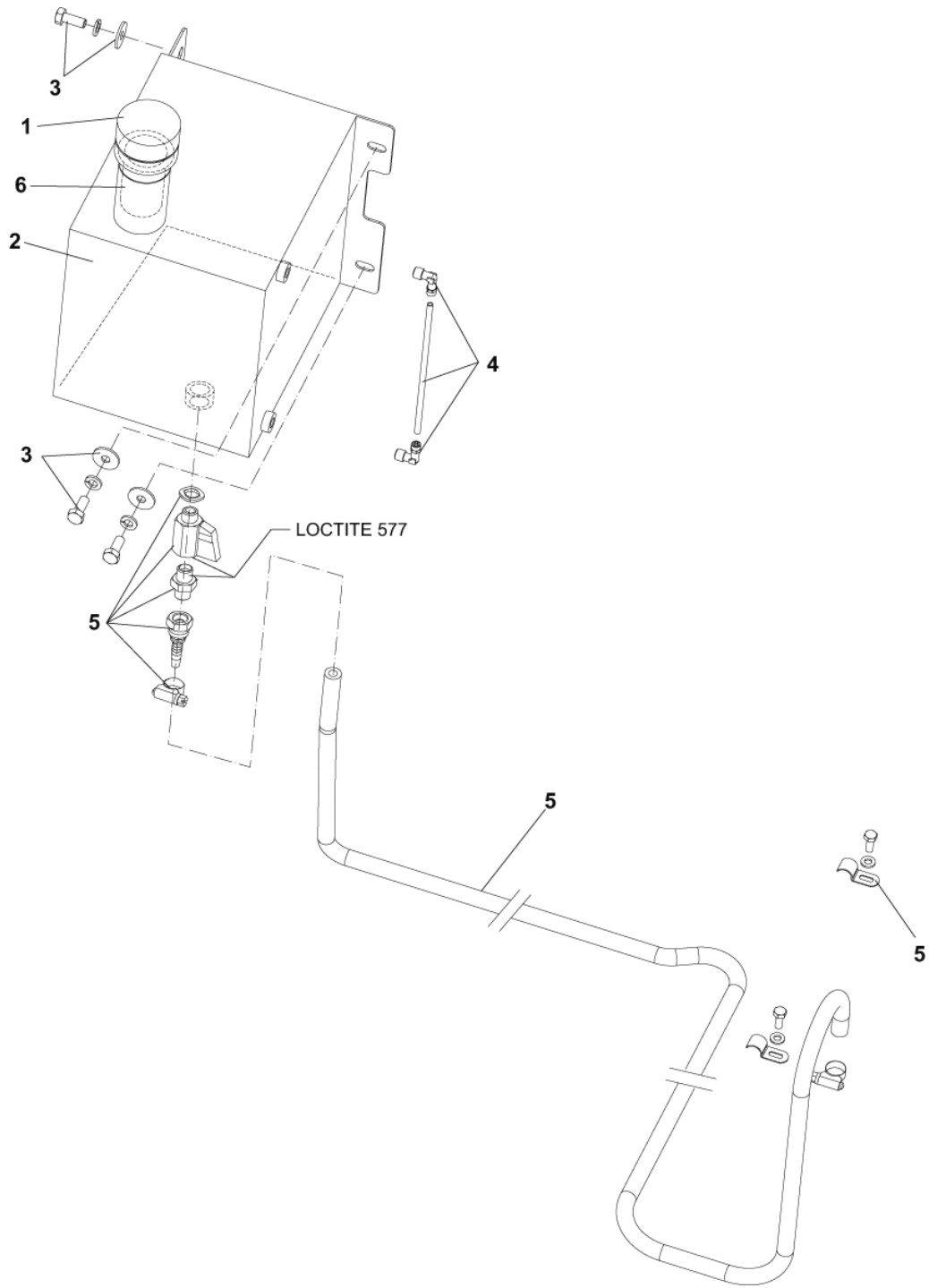
- [1] - STOCK COVERS GUARANTEE  
 [2] - PI 2015-001 TTY



Pos.	Artikel-Nr.	Menge	Variante	Notes
00	1465362000	1	Kraftstofffilterkit	[1]
00	1465322000	1	FILTER GASOLINE	[2]
01	1463332000	1	SUPPORT PETROL ENGINE	[3]
02	1465199000	1	Dynamotor MP 100 24V	[3]
03	L08603949	1	Kohlenbürsten Kit 4pcs	
04	1463334000	1	Flansch	[3]
05	33023661	2	SCREW GRUB M6X10 CONE POINT 2 PCS SET	[3]
06	1463343000	1	SPACER D.19X22 H.10 GALV.	[3]
07	1463369000	1	Abstandsscheibe 16x20x8.5	[3]
08	1463383000	1	SUPPORT MUFFLER	[3]
09	1463598000	1	HARDWARE PETROL ENGINE ASSEMBLY KIT	[3]
10	1466146000	1	KEY 5X5X25 UNI6604A PKD	
11	145 9899 000	1	Keil 6 x 6 x 25 mm	
12	146 1447 000	4	Puffer	[3]

Part Notes:

- [1] - STOCK COVERS GUARANTEE  
SEE TSB IT 2012-099 TSB IT 2012-099. Fuel filter kit 1465362000
- [2] - SEE TSB IT 2012-099  
STOCK COVERS GUARANTEE
- [3] - STOCK COVERS GUARANTEE

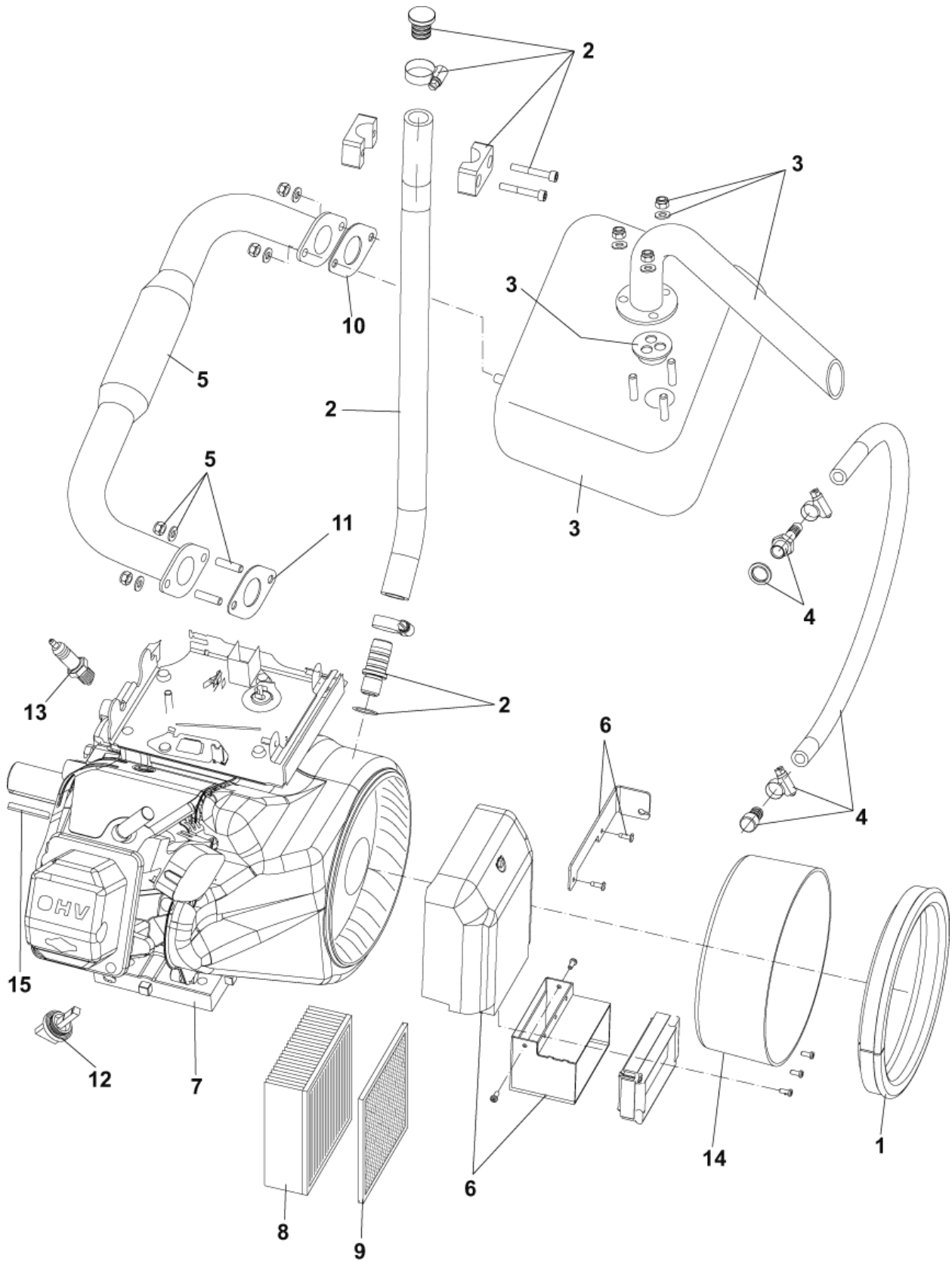


Pos.	Artikel-Nr.	Menge	Variante	Notes
01	1463795000	1	Deckel f. Filterkit	[1]
02	1463314000	1	Benzintank	[1]
03	1463700000	1	HARDWARE PETROL ENGINE KIT	[2]
04	1463701000	1	Rilsan Schlauchkit	[1]
05	1467458000	1	HOSES FUEL KIT	[1]
06	1463538000	1	FILTER	[1]

## Part Notes:

- [1] - STOCK COVERS GUARANTEE
- [2] - ITEM NO LONGER AVAILABLE

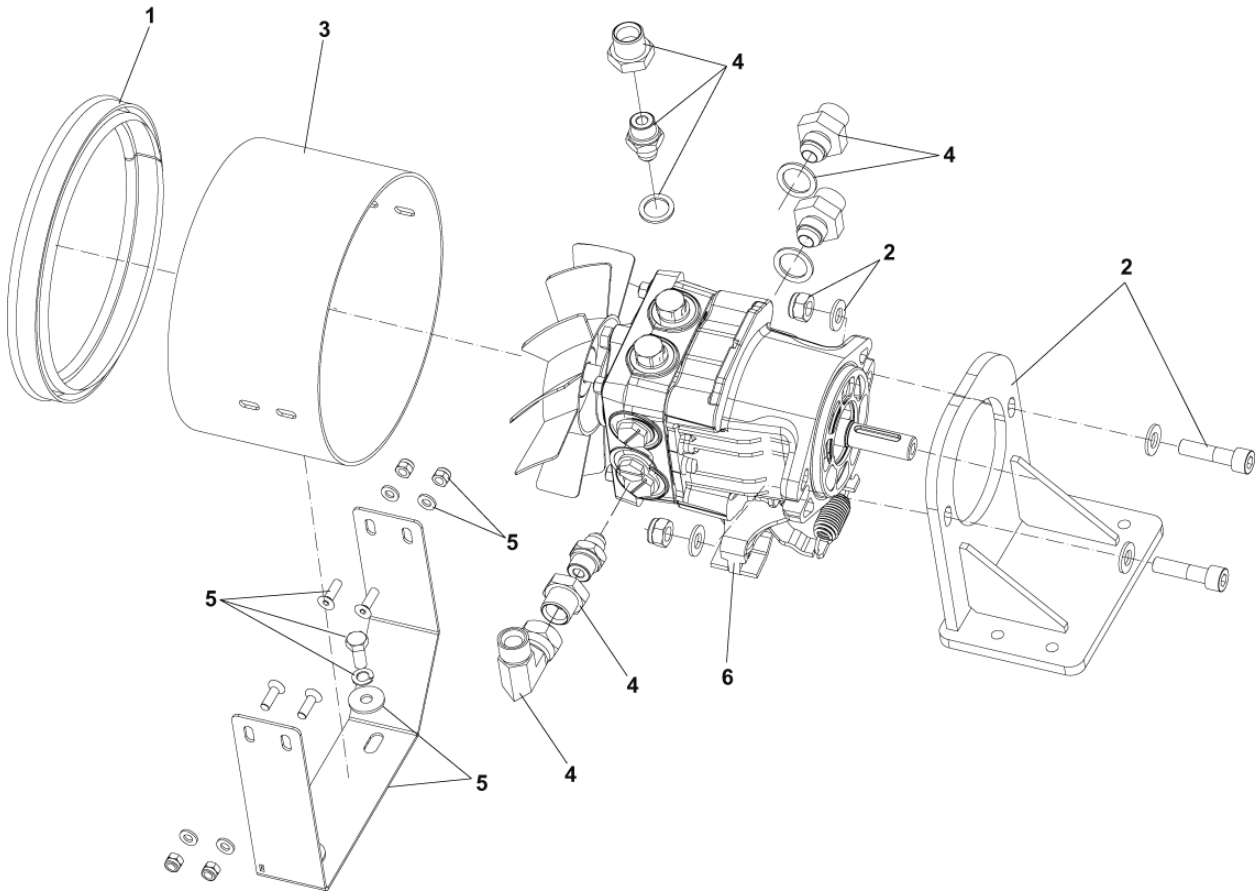




Pos.	Artikel-Nr.	Menge	Variante	Notes
01	1463734000	1	GASKET BULB REINFORCED L.630MM	[1]
02	1463702000	1	HOSE OIL KIT	[1]
03	1463703000	1	Schalldämpferkit	[2]
04	1463704000	1	HOSE OIL DRAIN KIT	[1]
05	1463705000	1	Auspuffdämpfer Kit	[2]
06	1463706000	1	Halterung f. Luftfilter	[2]
07	1463377000	1	Motor (Benzin) 9PS	[3]
08	1463732000	1	Luftfilter	
09	1463733000	1	Motor Vor-Luftfilter	
10	1463737000	1	Dichtung	[2]
11	1463738000	1	Dichtung	[2]
12	1463735000	1	DIPSTICK OIL	[2]
13	1463736000	1	Kerze	
14	1463339000	1	CONVEYOR AIR	
15	146 2334 000	1	KEY 6.32X6.32X60	[2]

Part Notes:

- [1] - ITEM NO LONGER AVAILABLE
- [2] - STOCK COVERS GUARANTEE
- [3] - SEE TSB FC-2013-136

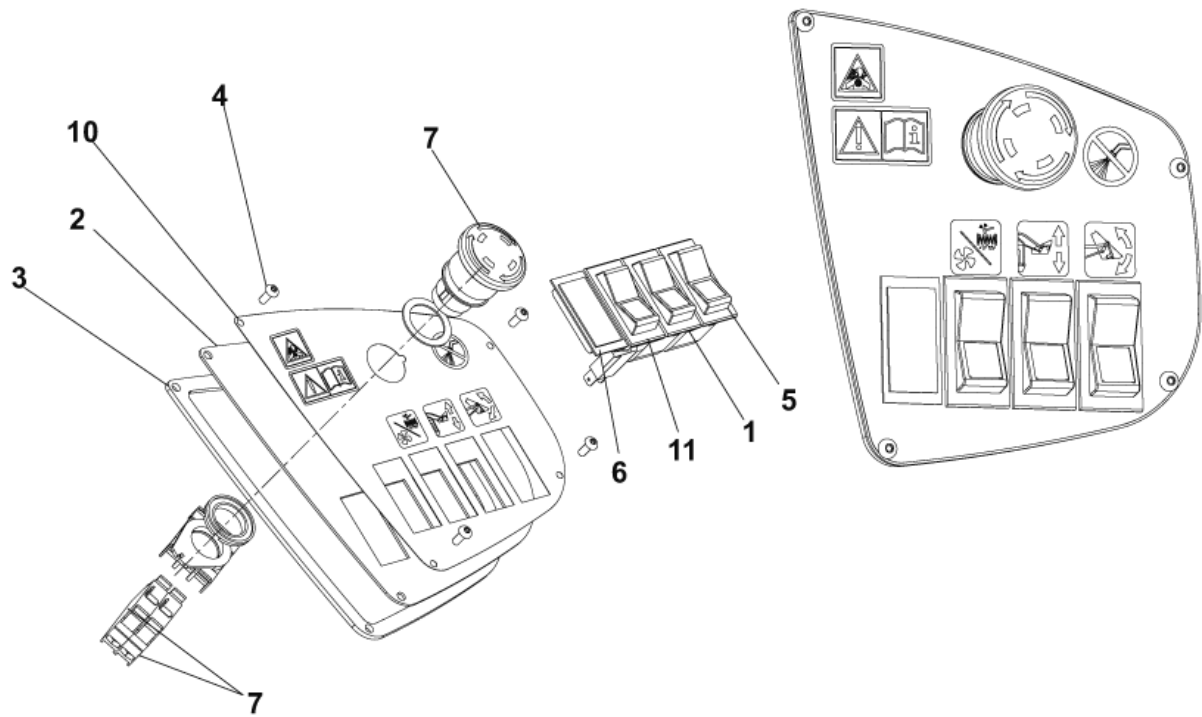


Pos.	Artikel-Nr.	Menge	Variante	Notes
01	1463734000	1	GASKET BULB REINFORCED L.630MM	[1]
02	1463707000	1	SUPPORT HYDRAULIC PUMP KIT	[2]
03	1463349000	1	CONVEYOR PUMP	[2]
04	1463708000	1	Verschraubung Stutzen	[2]
05	1463709000	1	SUPPORT CONVEYOR KIT	[1]
06	1463352000	1	Hydraulikpumpe	[2]

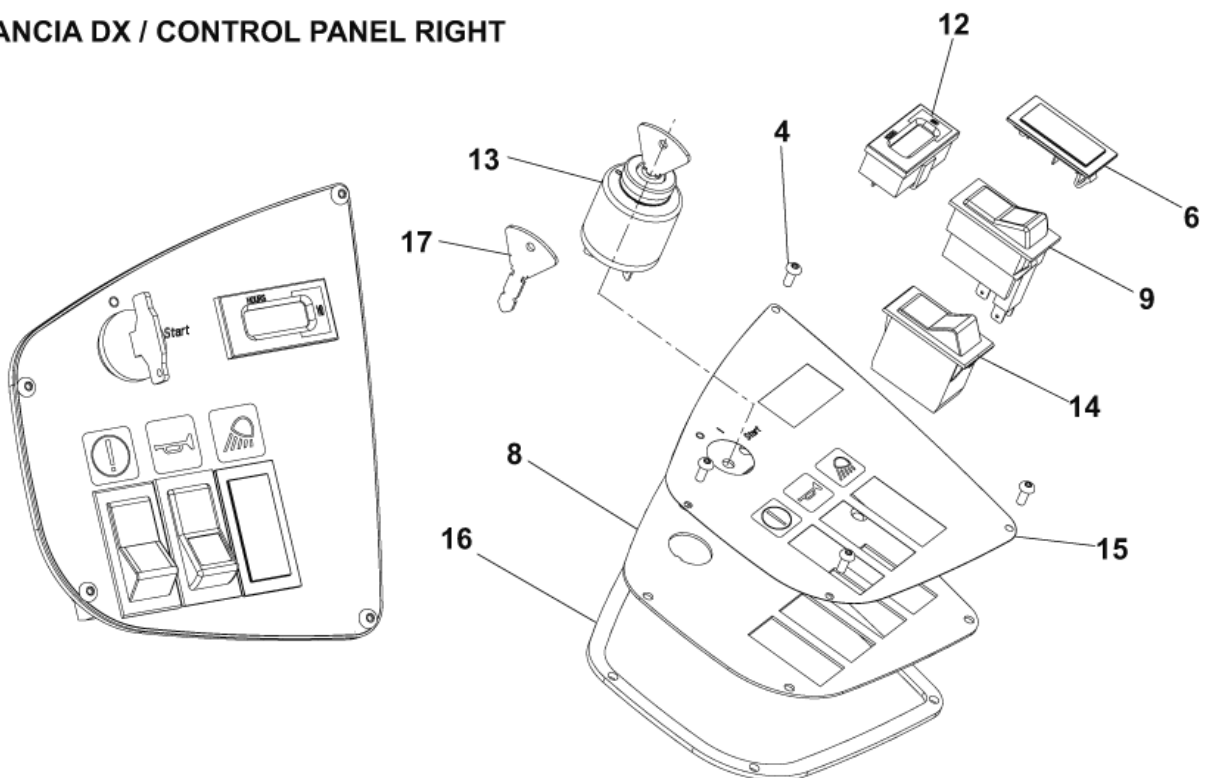
Part Notes:

- [1] - ITEM NO LONGER AVAILABLE
- [2] - STOCK COVERS GUARANTEE

**PLANCIA SX / CONTROL PANEL LEFT**



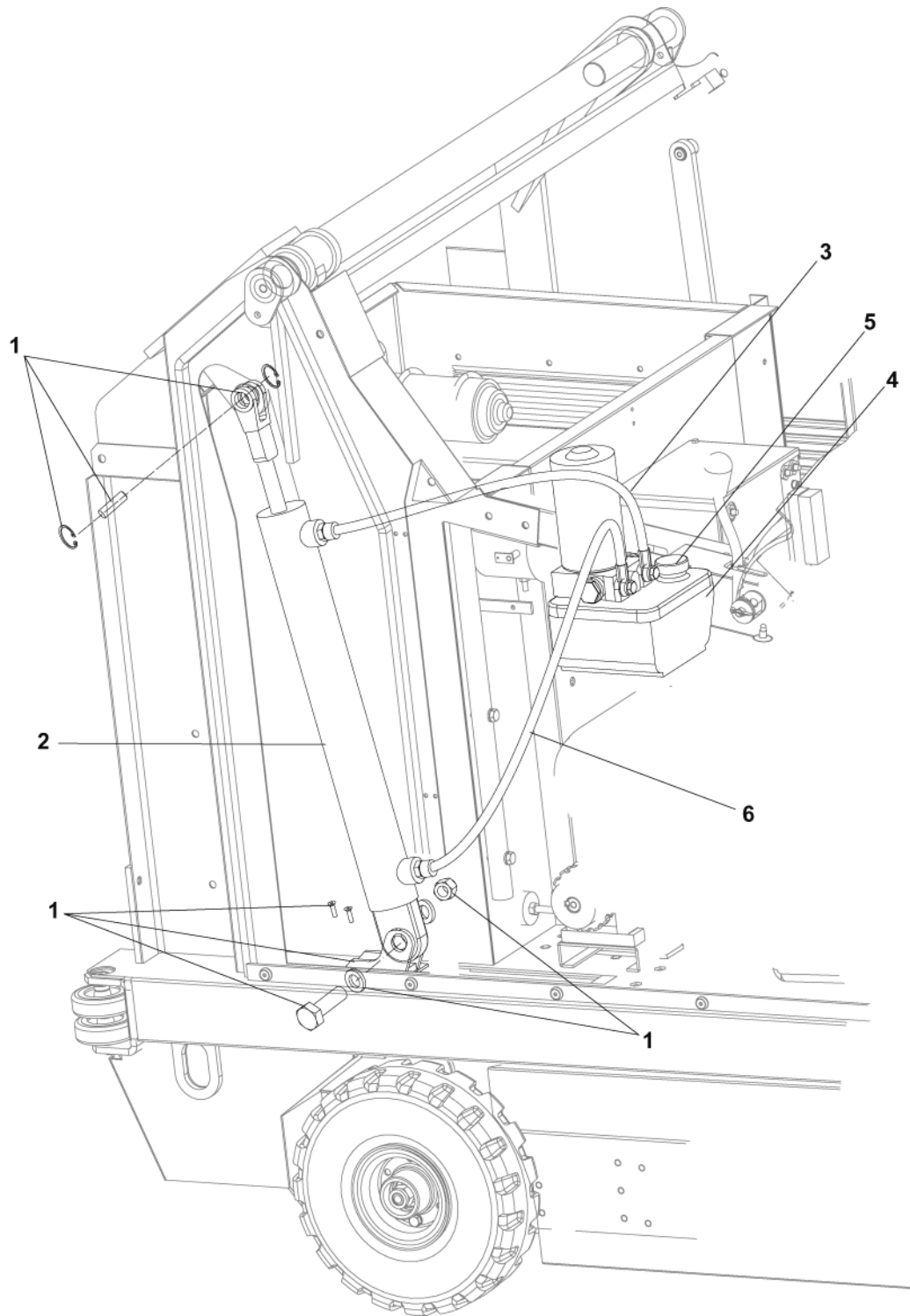
**PLANCIA DX / CONTROL PANEL RIGHT**



Pos.	Artikel-Nr.	Menge	Variante	Notes
00	1463347000	1	HARNES CONTROL PANEL PETROL VERSION	[1]
01	146 0846 000	1	Schalter f. SR1300H B	
02	146 1021 000	1	Bedienfeld rechts	[1]
03	146 1230 000	1	Dichtung	[1]
04	145 0572 000	8	Schraube TBEI M4x10	
05	146 0847 000	1	Kippschalter RS 501	
06	146 1284 000	2	Abdeckkappe	
07	1466683000	1	Sicherheitsschalter	
08	146 2071 000	1	Bedienfeld links	[1]
09	146 0845 000	1	Schalter	
10	1463396000	1	DECAL CONTROL PANEL RT	[2]
11	1463368000	1	Schalter	
12	9096951000	1	Betriebsstundenzähler 24V	
13	33020442	1	Schlüsselschalter	
14	146 0845 000	1	Schalter	
15	1463395000	1	DECAL CONTROL PANEL LT	[2]
16	146 1231 000	1	Dichtung links	[1]
17	1467014000	1	KEY F STARTER SWITCH 2 PCS SET	

## Part Notes:

- [1] - STOCK COVERS GUARANTEE  
 [2] - SEE PI 2017-002



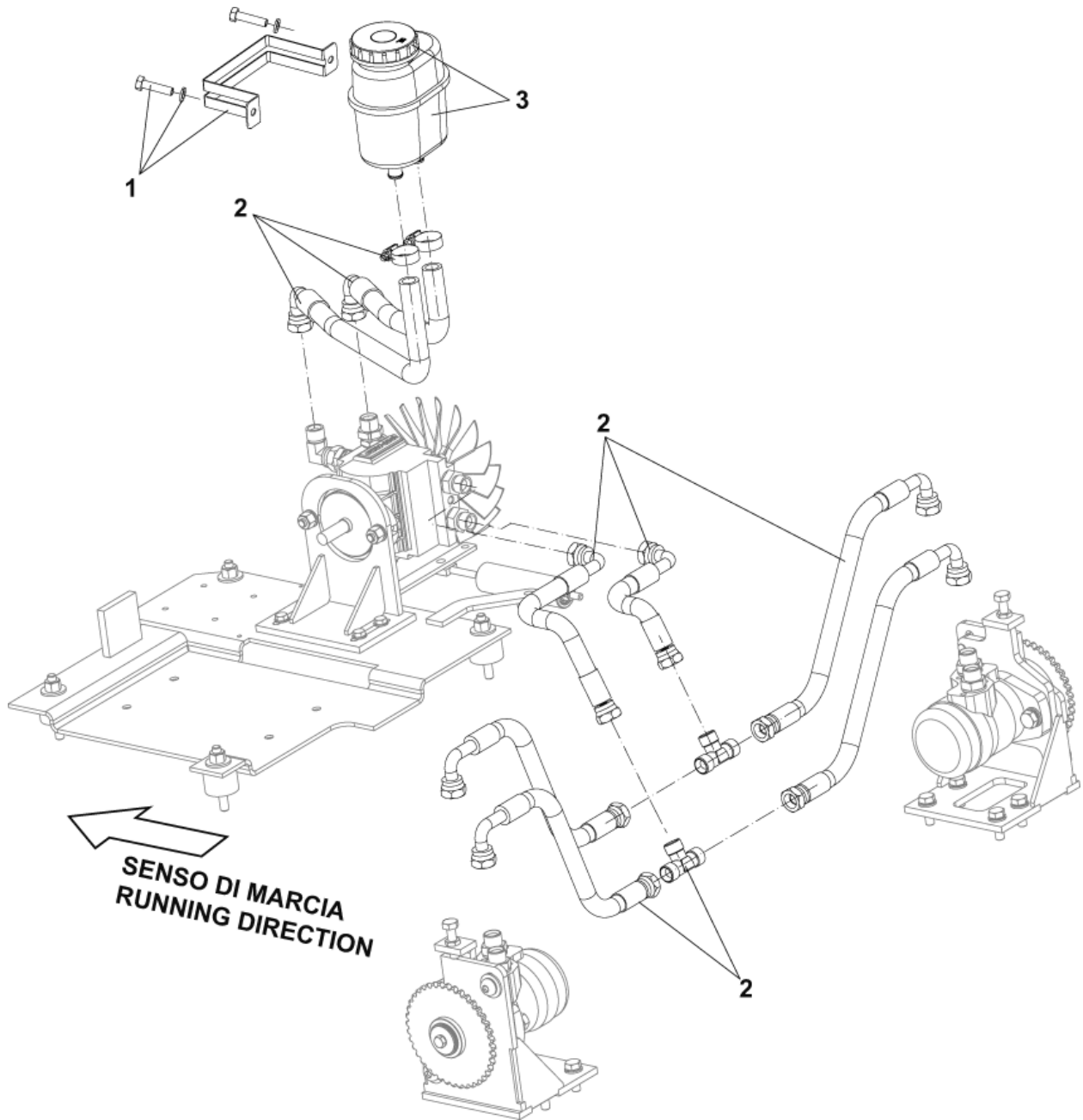
---

Pos.	Artikel-Nr.	Menge	Variante	Notes
01	1463711000	1	Hydraulik Kit	[1]
02	146 0885 000	1	Hydraulikzylinder	
03	1463815000	1	Hydraulik Kit für Zylinder	[1]
04	146 0921 000	1	Hydraulikpumpe	[1]
05	146 1868 000	1	Rote Kappe	[1]

## Part Notes:

[1] - STOCK COVERS GUARANTEE



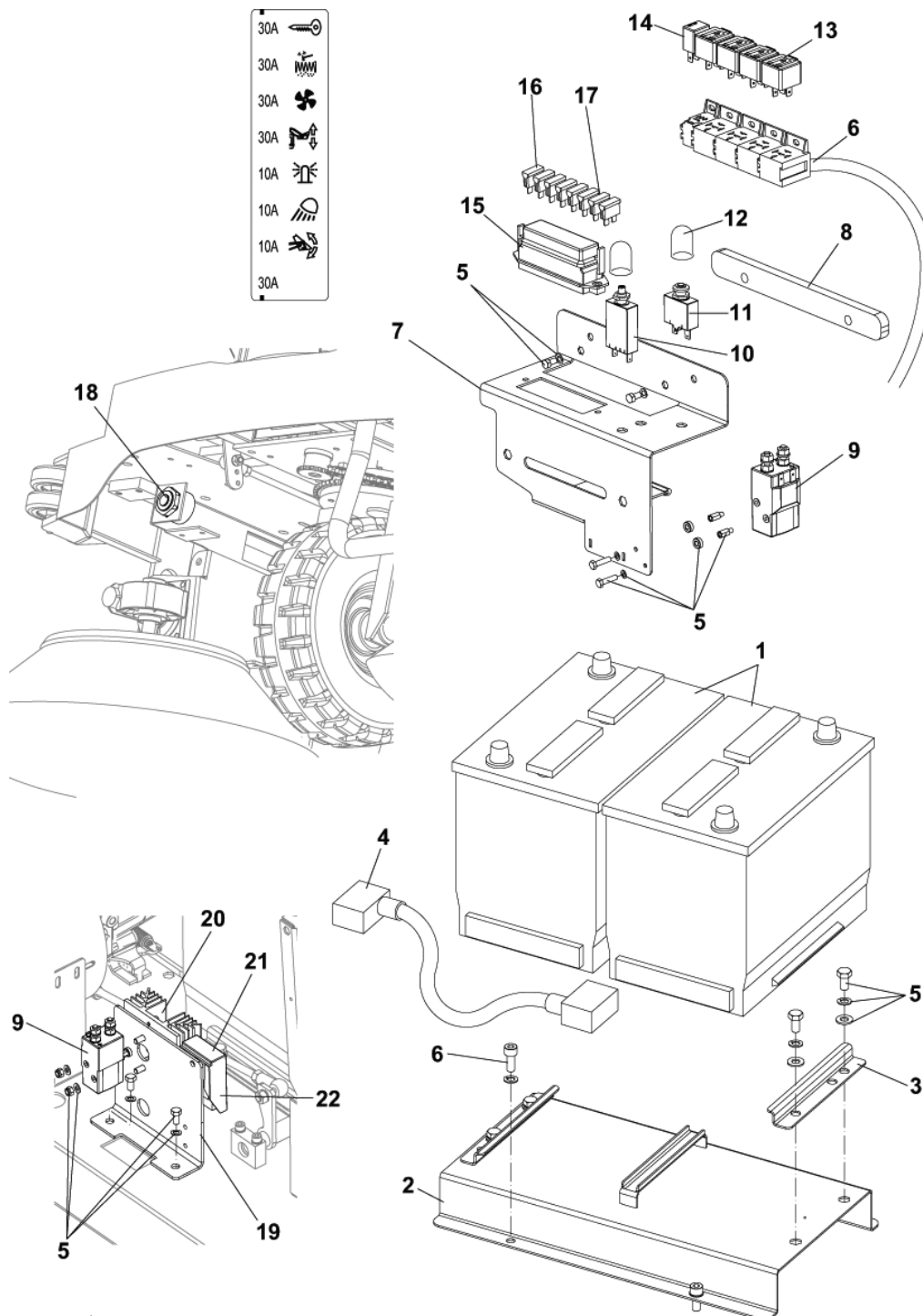


---

Pos.	Artikel-Nr.	Menge	Variante	Notes
01	1463712000	1	BRACKET TANK OIL KIT	[1]
02	1463713000	1	Hydraulikschlauch	[1]
03	146 1086 000	1	TANK.OIL KIT	[1]

## Part Notes:

[1] - STOCK COVERS GUARANTEE



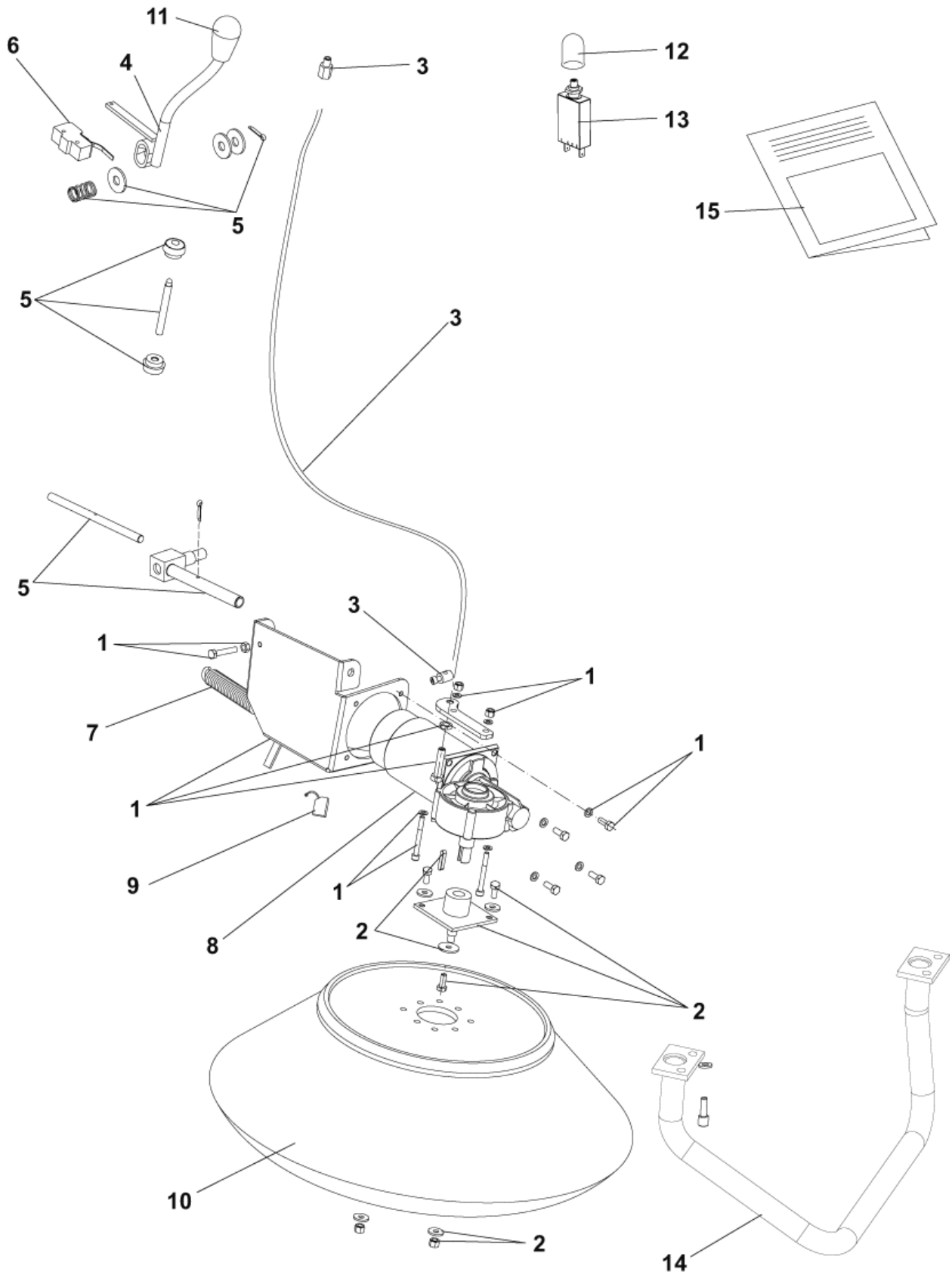
Resource notes:

position 1: 1463936000 for model before SN 090804082 position 1: 33019628 for model after SN 090804082, or for model already updated with kit 1463936000 position 2:1463330000 for model BEFORE SN 090804082 - last machine produced on 19.02.2009 position 2:1463878000 for model AFTER SN 090804082 position 3 : 1463331000 for model BEFORE SN 090804082 - last machine produced on 19.02.2009 position 3 : 1463879000 for model AFTER SN 090804082 position 3 : 1463887000 for model AFTER SN 090804082

Pos.	Artikel-Nr.	Menge	Variante	Notes
00	1464208000	1	DIODE SWITCH EL. KIT	[1]
01	1463936000	2	Batterie Aktualisierungs	[2]
01	1467085000	2	BATTERY START 12V 77 AH PKD	
02	1463330000	1	SUPPORT BATTIERIE	[3]
02	1463878000	1	SUPPORT BATTERY	[4]
03	1463331000	1	HALTERUNG	[3]
03	1463887000	1	Batteriebeschlag	[5]
03	1463879000	1	Batteriebeschlag	[5]
04	9097590000	1	Batterieverbindungskabel	
05	1463714000	1	HARDWARE ELECTRICAL COMPONENTS KIT	[6]
06	1463346000	1	Kabelbaum (Benzin)	[2]
07	1463353000	1	SUPPORT FUSE	[2]
08	1463355000	1	SPACER FOR SUPPORT BLACK POLIZENE	[2]
09	146 0719 000	2	Schütz 24V	
10	L08812633	1	Sicherungsautomat 10 Azu SR 100 SB	
11	909 5706 000	1	Hauptschalter 30 A	
12	146 0841 000	2	Sicherung	
13	1464289000	4	Relais SR 1301 24V20/30A	[7]
14	146 1646 000	1	RELAY 24V	
15	146 1170 000	1	Sicherungsschalter SR1301	
16	145 8513 000	5	FUSE BLADE 30A UL	
17	1467034000	3	FUSE BLADE 10A PKD	
18	909 6126 000	1	Warnton	
19	1463373000	1	SUPPORT DIODE S235JR	[2]
20	1466171000	1	CARD DIODE PKD	
21	146 0659 000	1	Sicherungshalter gross	
22	146 2486 000	1	Sicherung 70 A	

## Part Notes:

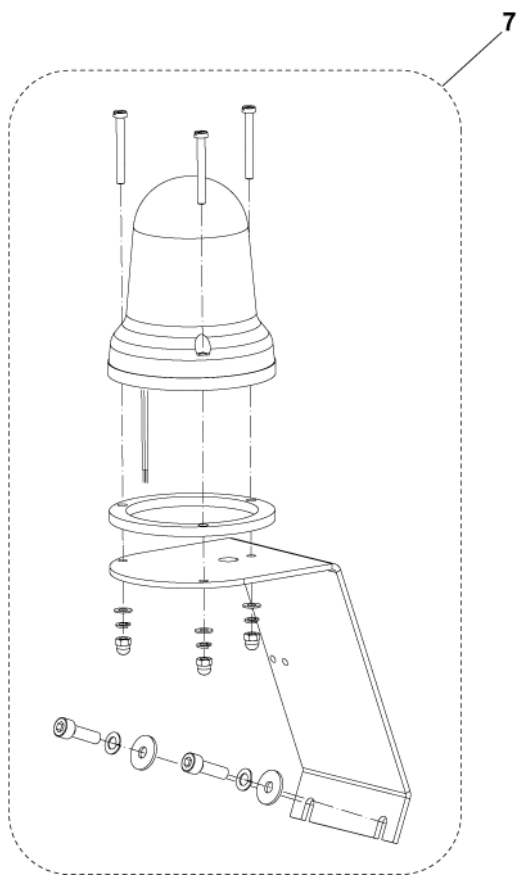
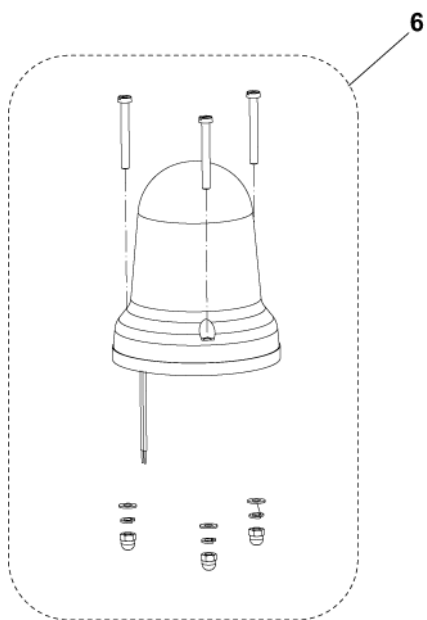
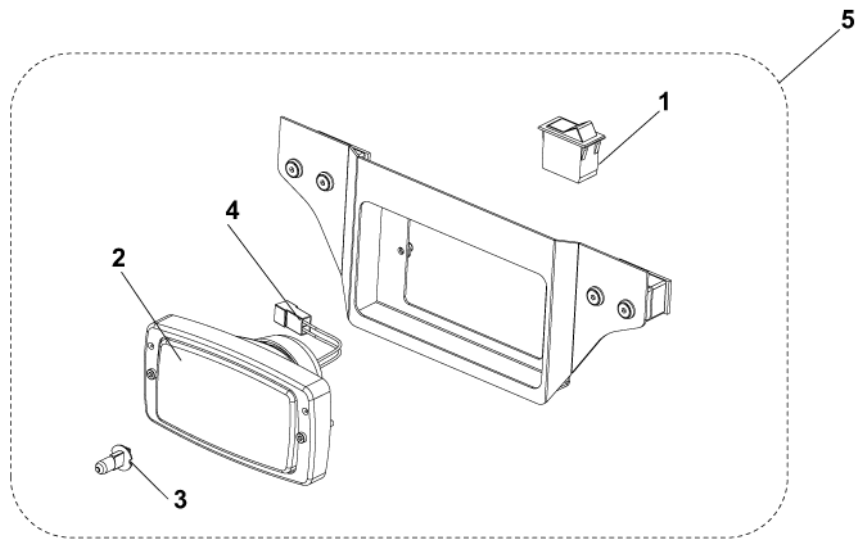
- [1] - INST.INSTR.1464209000  
STOCK COVERS GUARANTEE
- [2] - STOCK COVERS GUARANTEE
- [3] - for model BEFORE SN 090804082  
GUARANTEE DATE EXPIRED
- [4] - for model after SN 090804082  
STOCK COVERS GUARANTEE
- [5] - for model after SN 090804082
- [6] - ITEM NO LONGER AVAILABLE
- [7] - TSB-FC-2017-024 hopper relay SW4000



Pos.	Artikel-Nr.	Menge	Variante	Notes
00	146 0854 000	1	HARNESS MICROSWITCH	[1]
00	1463489000	1	Seitenbesenset, PP, links	[2]
01	1463778000	1	Getriebsuntersetzung	[1]
02	1463595000	1	Aufnahmekit SeitenbesenSR1301	
03	1463715000	1	Kabelkit li. Seitenbürste	
04	1463372000	1	LEVER LEFT SIDE BROOM	[1]
05	1463597000	1	HARDWARE SIDE BROOM KIT	[1]
06	1466506000	1	MICROSWITCH 10A 250V PKD	
07	146 0986 000	1	SPRING	
08	146 1135 000	1	REDUCTION GEARMOTOR 90W 24V LEFT	
09	145 5125 000	2	Kohle Seitenbesen-motor SR 1100/ECO	
10	146 1148 000	1	Seitenbesen 280x500	[3]
10	146 1149 000	1	Seitenbesen 280x500 mm, Stahlmix	
10	146 1025 000	1	Seitenbesen 280x500 mm, PP 1-1,4	
11	146 0975 000	1	Knopf	[1]
12	146 0841 000	1	Sicherung	
13	L08812633	1	Sicherungsautomat 10 Azu SR 100 SB	
14	1463779000	1	Schutz-Kit linke Seite	[1]

## Part Notes:

- [1] - STOCK COVERS GUARANTEE
- [2] - PRUNED ACCESSORY
- [3] - PI 2015-001 TTY

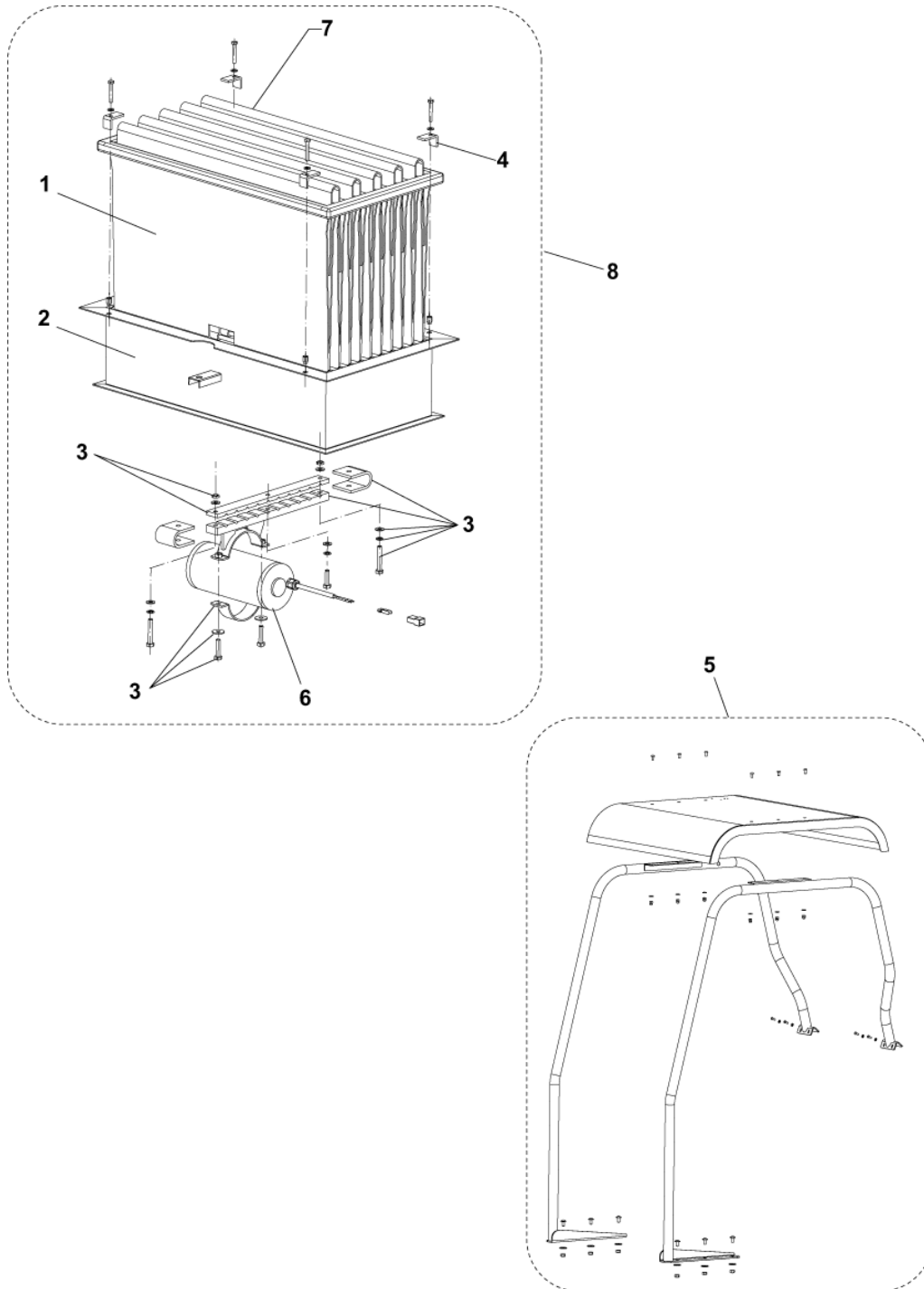


Pos.	Artikel-Nr.	Menge	Variante	Notes
01	146 1167 000	1	Schalter	
02	146 1196 000	1	LIGHT	[1]
03	146 1198 000	1	Leuchtmittel 24V/55W	[1]
04	146 2179 000	1	HARNESS WORKING LIGHT	[1]
05	146 2680 000	1	Fahrlicht-Set, 24V	[2]
06	146 2098 000	1	Warnleuchte H10-110V, Ersatz	[2]
07	146 2676 000	1	Blinklicht-Set	[2]

## Part Notes:

- [1] - STOCK COVERS GUARANTEE
- [2] - PRUNED ACCESSORY





Pos.	Artikel-Nr.	Menge	Variante	Notes
01	146 1239 000	1	Taschenfilter	
02	146 2776 000	1	SUPPORT FOR POCKET FILTER	[1]
03	1463717000	1	HARDWARE FILTER CLOTH POCKET KIT	[1]
04	146 1664 000	4	BRACKET. FILTER FIXING	[1]
05	146 2674 000	1	Fahrerschutzdach	[2]
06	146 2269 000	1	Motor Filterrüttler-Kit	[1]
07	146 1674 000	1	SEPARATOR.FILTER CLOTH	[1]
08	146 2677 000	1	Filter, Gewebetaschen-Set	[2]

## Part Notes:

- [1] - STOCK COVERS GUARANTEE
- [2] - PRUNED ACCESSORY



---

Pos.	Artikel-Nr.	Menge	Variante	Notes
------	-------------	-------	----------	-------

