

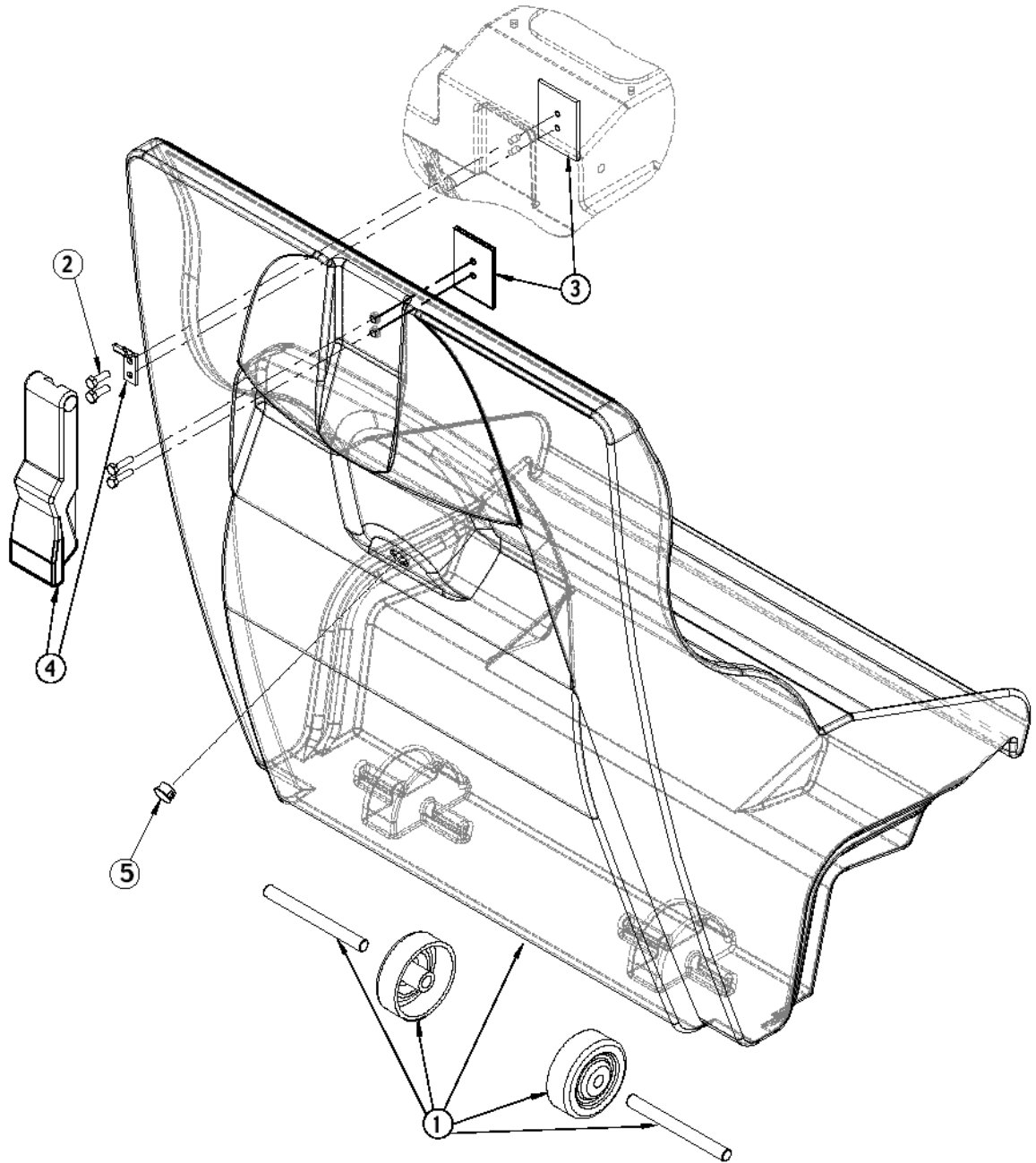
PARTS LIST



2021.06.21

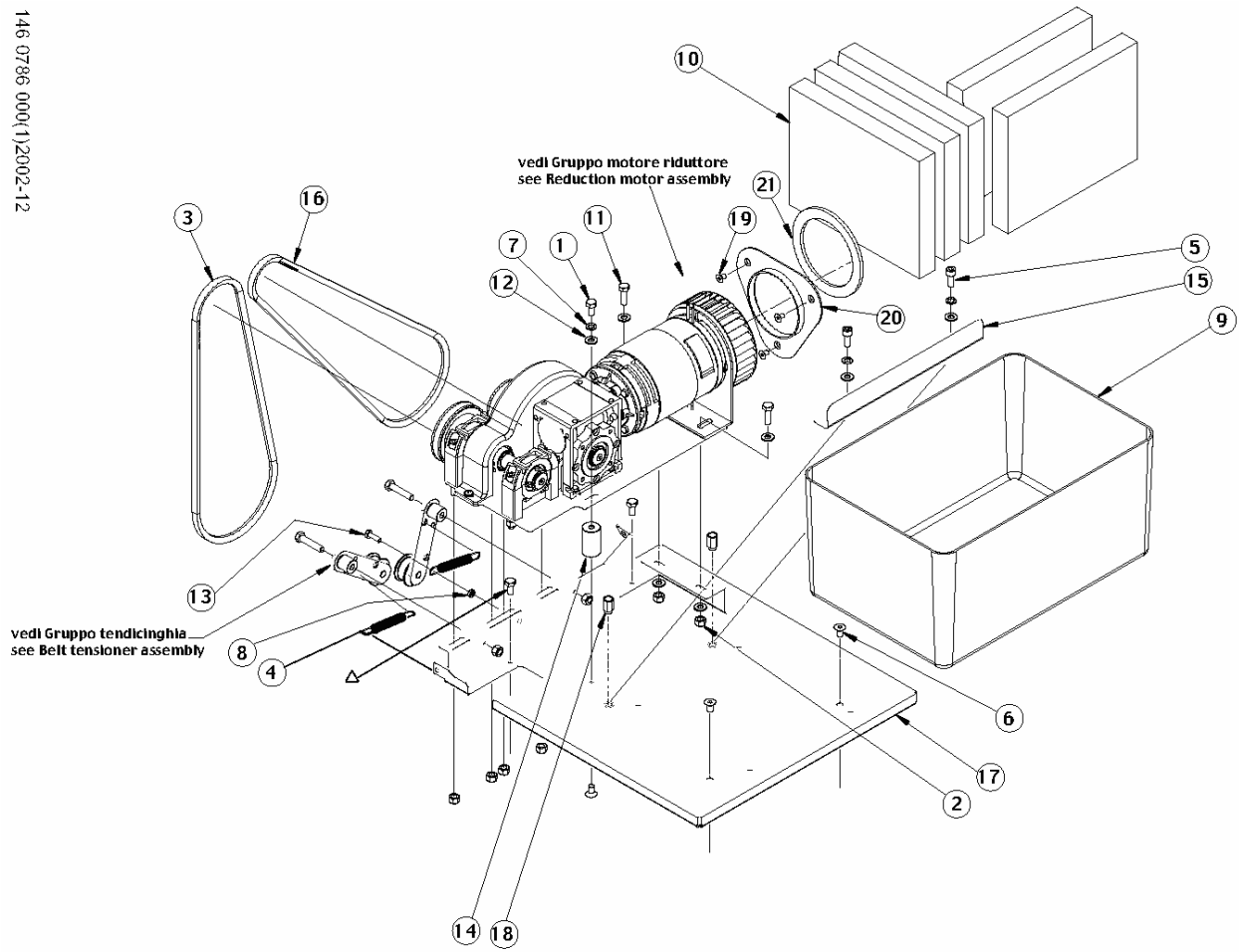
TABLE OF CONTENTS

Hopper system	1
Transmission system	3
Belt tensioner assembly	5
Reduction motor assembly	7
Dust control filter	9
Dust control system	11
Handle system	13
Control panel system	15
Right-left hub assemblies	17
Decals	19
Chassis system	21
Electrical components	23
Battery charger kit	25
Wiring diagram	27
Recommended spare parts	29
Main broom assembly	31
Side broom assembly	33
Drive wheels assembly	35



Pos.	Artikel-Nr.	Menge	Variante	Notes
1	1466159000	1	CONTAINER WASTE GREY ROTOMOULDED KIT	
2	33003963	4	Schraube M5x20	
3	146 0562 000	2	Platte	
4	146 0520 000	1	HOOK RUBBER	
5	145 4259 000	1	Kappe	

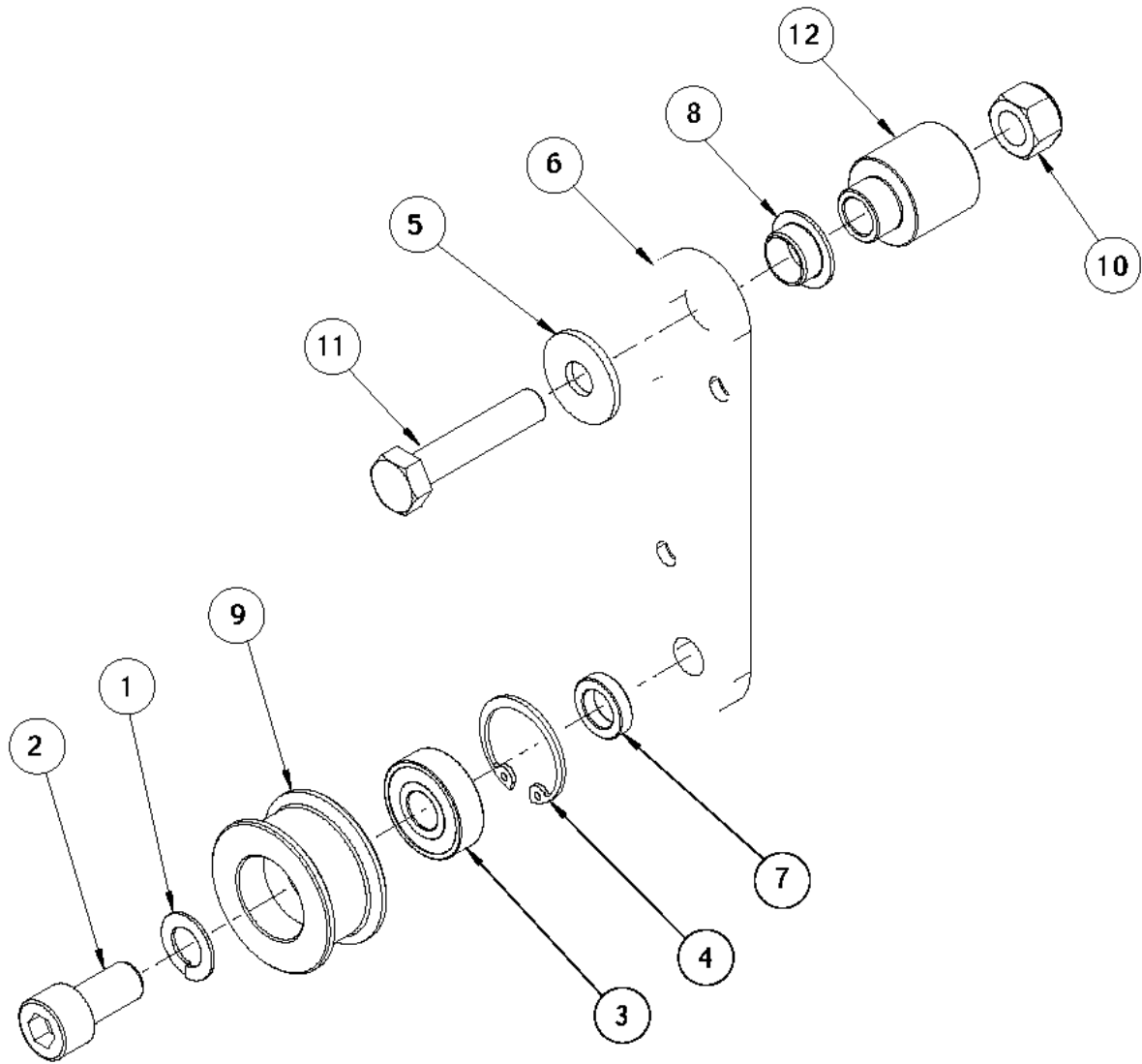
146 0786 000(1)2002-12



Pos.	Artikel-Nr.	Menge	Variante	Notes
1	L08274300	3	Schraube M8 x 16	[1]
2	33023574	2	NUT LOCK HEX M8 ISO10511 PCS 10 SET	
3	146 0150 00	1	Keilriemen	[2]
4	145 0274 000	2	Zugfeder	
5	33004365	2	SCREW M8X20 UNI5931	
6	33023307	1	SCREW M8X16 HEX HD ISO4017 10 PCS SET	
7	33023223	3	U-Scheibe M8 UNI1751B 10 Stck.	
8	33023183	1	NUT HEX M6 LOW ISO4035 10 PCS SET	[1]
9	145 5252 000	1	Batterietrog	
10	146 0668 000	5	Isolierplatte	
11	33005445	2	Schraube M8x25	
12	33023208	7	WASHER M8 UNI6592 10 PCS SET	
13	33023470	1	SCREW M6X20 HEX HD ISO4017 10 PCS SET	
14	146 0515 000	1	SPACER M8X25 H.42 PHOS.	[1]
15	146 0543 000	1	BRACKET BATTERY RETAINING	
16	1467726000	1	BELT V COGGED XPZ 1162 SIP	[3]
17	146 0536 000	1	PLATE	[1]
18	145 6133 000	2	Einsatz M8	[1]

Part Notes:

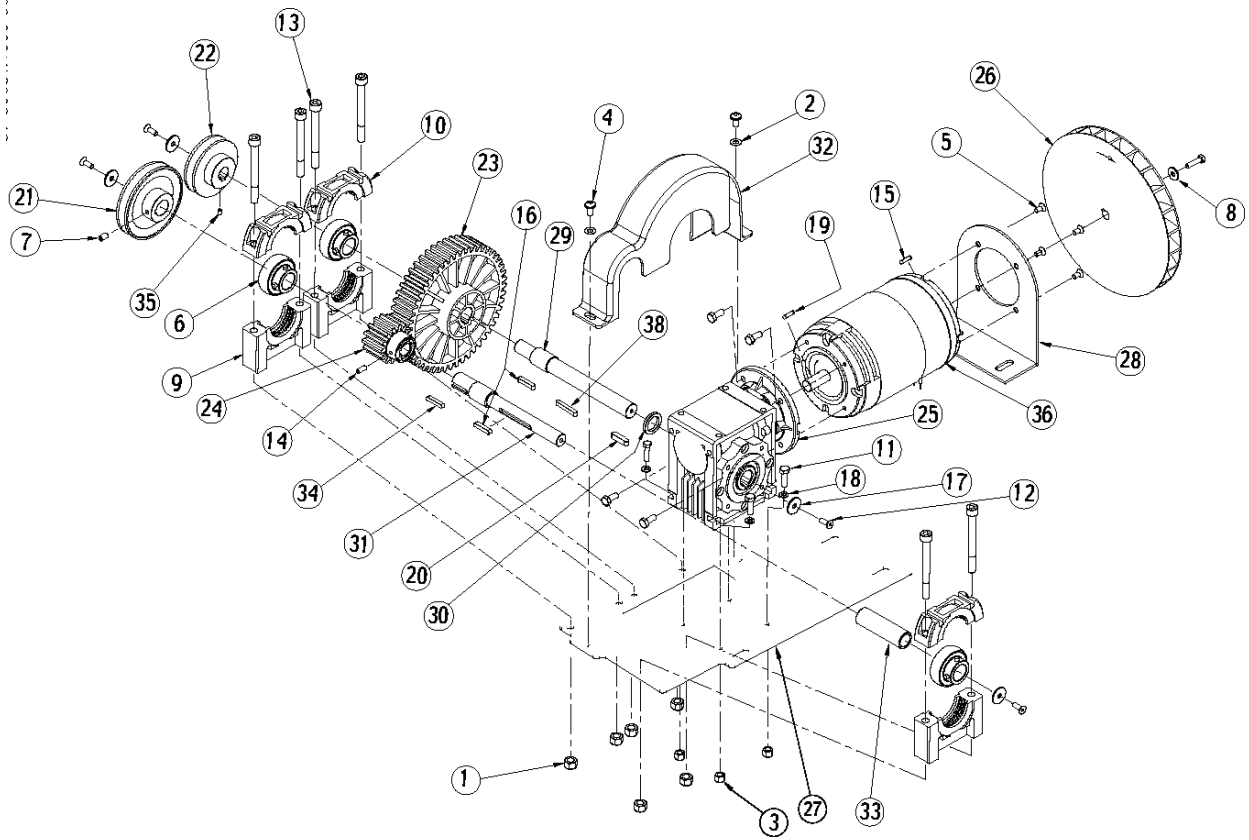
- [1] - NO LONGER AVAILABLE
 [2] - STOCK COVERS GUARANTEE
 [3] - GUARANTEE DATE EXPIRED



Pos.	Artikel-Nr.	Menge	Variante	Notes
0	146 0813 000	1	TENSIONER BELT KIT	[1]
1	33005843	1	Dichtungsring M10	
2	145 5742 000	1	Schraube	
3	145 9186 000	1	Kugellager 6000-2RS	[1]
4	33006156	1	Sicherungsring D26	[2]
5	33023660	1	WASHER PLAIN M8X24X2 ISO7093 5 PCS SET	
6	146 0547 000	1	ARM BELT TENSIONER GALV.	[1]
7	146 0548 000	1	Abstandsring 10.1x16x4	[2]
8	146 0549 000	1	Büchse	
9	146 0583 000	1	Riemenscheibe	[1]
10	33023574	1	NUT LOCK HEX M8 ISO10511 PCS 10 SET	
11	33003998	1	Schraube M8x40	[2]
12	146 0550 000	1	Buchse	[2]

Part Notes:

- [1] - NO LONGER AVAILABLE
- [2] - GUARANTEE DATE EXPIRED

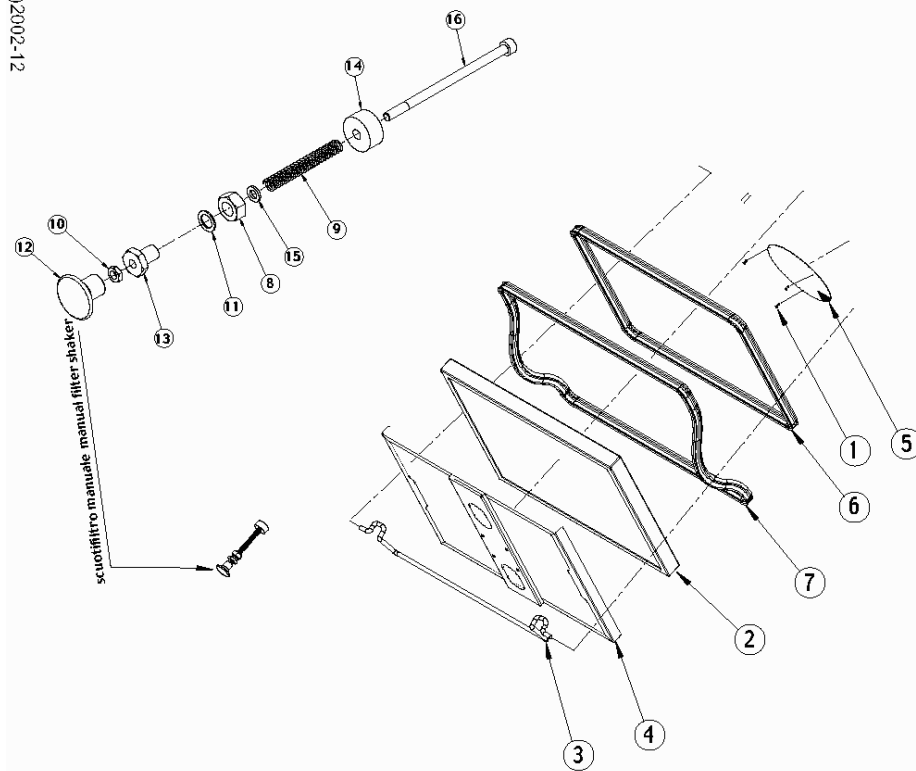


Pos.	Artikel-Nr.	Menge	Variante	Notes
1	33023574	1	NUT LOCK HEX M8 ISO10511 PCS 10 SET	
2	33023208	2	WASHER M8 UNI6592 10 PCS SET	
3	33023194	3	NUT LOCK HEX M5 LOW ISO10511 10 PCS SET	
4	L08603706	2	Schraube M6x12 UNI 7687	[1]
5	33004574	4	SCREW M6X12 C/SUNK FLAT HD HEX ISO10642	
6	145 1123 000	3	Lager YAT204	
7	1467678000	1	SCREW GRUB M6X10 CUP POINT 2 PCS SET	
8	1467686000	1	WASHER PLAIN M5X15 ISO7093 10 PCS SET	
9	145 1976 000	3	Lagerbock unten	
10	145 1977 000	3	Lagerbock oben	
11	33003963	4	Schraube M5x20	
12	33004562	4	Schraube M5 x 14	[2]
13	145 5741 000	6	Schraube	
14	145 5913 000	1	Madenschraube 5x6	[1]
15	146 1489 000	1	Keil 4x4x15	
16	1466146000	2	KEY 5X5X25 UNI6604A PKD	
17	1466332000	1	WASHER 6X24X2 UNI6593 10 PCS SET	
18	33023195	3	WASHER M5 UNI6592 10 PCS SET	
19	1466147000	1	KEY 5X5X20 UNI6604A PKD	
20	145 9899 000	1	Keil 6 x 6 x 25 mm	
21	146 0514 000	1	Scheibe	[1]
22	146 0516 000	1	Riemenscheibe D.65	[1]
23	1466521000	1	GEAR SPUR PLASTIC 150P 50T PKD	
24	1466522000	1	GEAR SPUR PLASTIC 42P 14T PKD	
25	1463248000	1	Reduziergetriebe kpl.	[1]
26	146 0537 000	1	Lüfferrad zu SW 700/S	
27	146 0538 000	1	PLATE SUPPORTING	[1]
28	146 0539 000	1	BRACKET	[1]
29	146 0540 000	1	Antriebswelle	
30	146 0541 000	1	SPACER D.18X26 H.4.2 PHOS.	[1]
31	146 0542 000	1	Antriebswelle	[1]
32	146 0605 000	1	Deckel	
33	146 0616 000	1	Unterlegscheibe	[1]
34	146 0619 000	1	Schlüssel	[1]
35	146 0621 000	1	Madenschraube BA 430 SD	[1]
36	1467529000	1	MOTOR ELECTRIC 600W 12V SIP	[3]
37	1464433000	1	Kohlebürsten-Kit (4St.)	
38	146 0769 000	1	Keil BA 451 6x6x40	

Part Notes:

- [1] - NO LONGER AVAILABLE
- [2] - STOCK COVERS GUARANTEE
- [3] - GUARANTEE DATE EXPIRED

86 000(1)2002-12



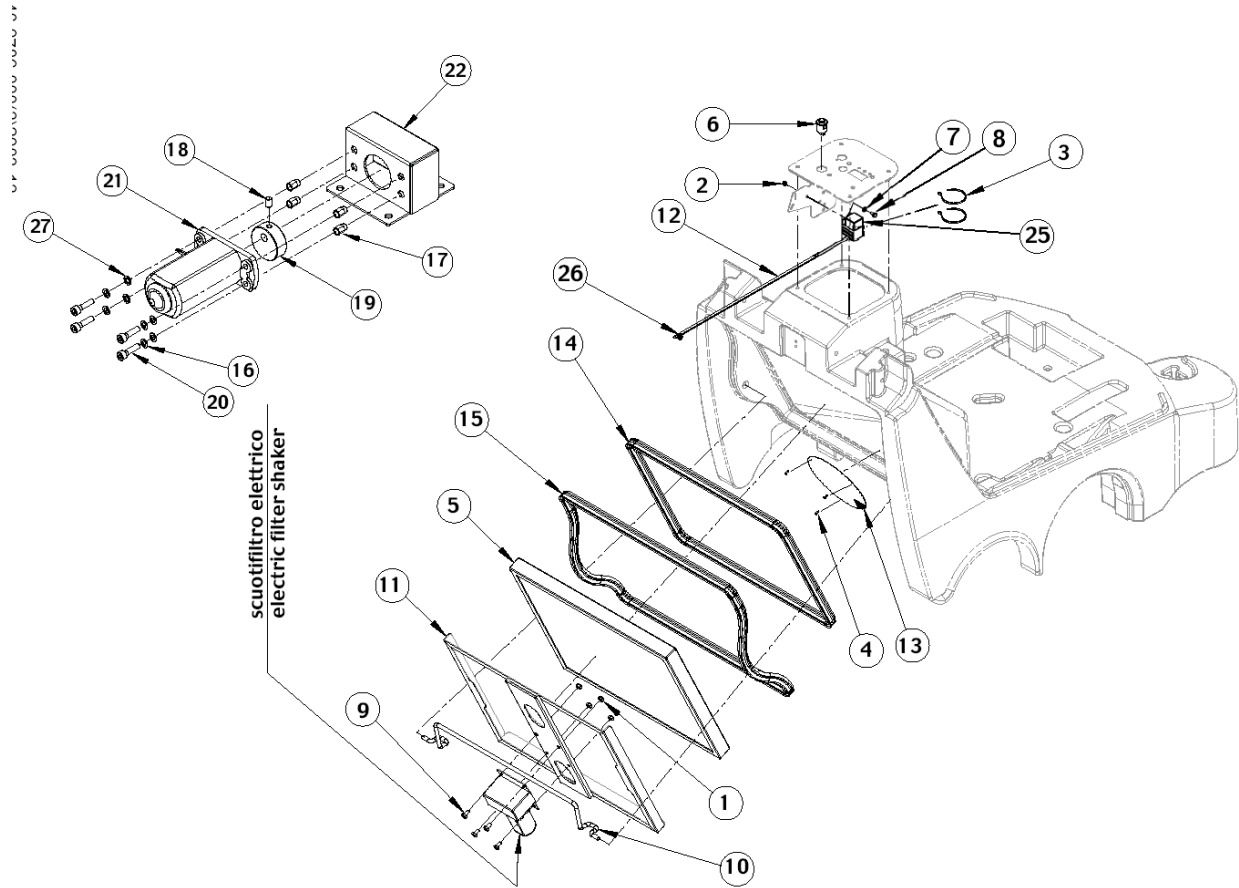
Resource notes:

146 0634 000

Pos.	Artikel-Nr.	Menge	Variante	Notes
0	146 2670 000	1	Elektr. Filterrüttler	[1]
1	146 0669 000	3	Schraube THD	[2]
2	145 4746 000	1	Staubfilter Polyester	
2	145 4806 000	1	Staubfilter Papier	
2	146 0368 000	1	Filter anitstatisch	
3	146 0573 000	1	Filterhaken	[3]
4	146 0574 000	1	Rahmen Filter	[3]
5	146 0607 000	1	Lüfterschutz	[3]
6	146 0629 000	1	Dichtung L 1600	
7	146 0741 000	1	Dichtung für SchmutzbehälSR 1000 SP	
8	33005505	1	NUT HEX M10 UNI5588	
9	145 1935 000	1	Spring	
10	33023183	1	NUT HEX M6 LOW ISO4035 10 PCS SET	[3]
11	33005869	1	WASHER M10 UNI8842A	[4]
12	145 4802 000	1	KNOB M6	[4]
13	145 4928 000	1	BUSHING FILTER SHAKER	[3]
14	145 5020 000	1	MASS FILTER SHAKER	[4]
15	33023396	1	WASHER PLAIN M6X12 ISO7089 10 PCS SET	
16	146 0636 000	1	SCREW M6X110 UNI5931	[3]

Part Notes:

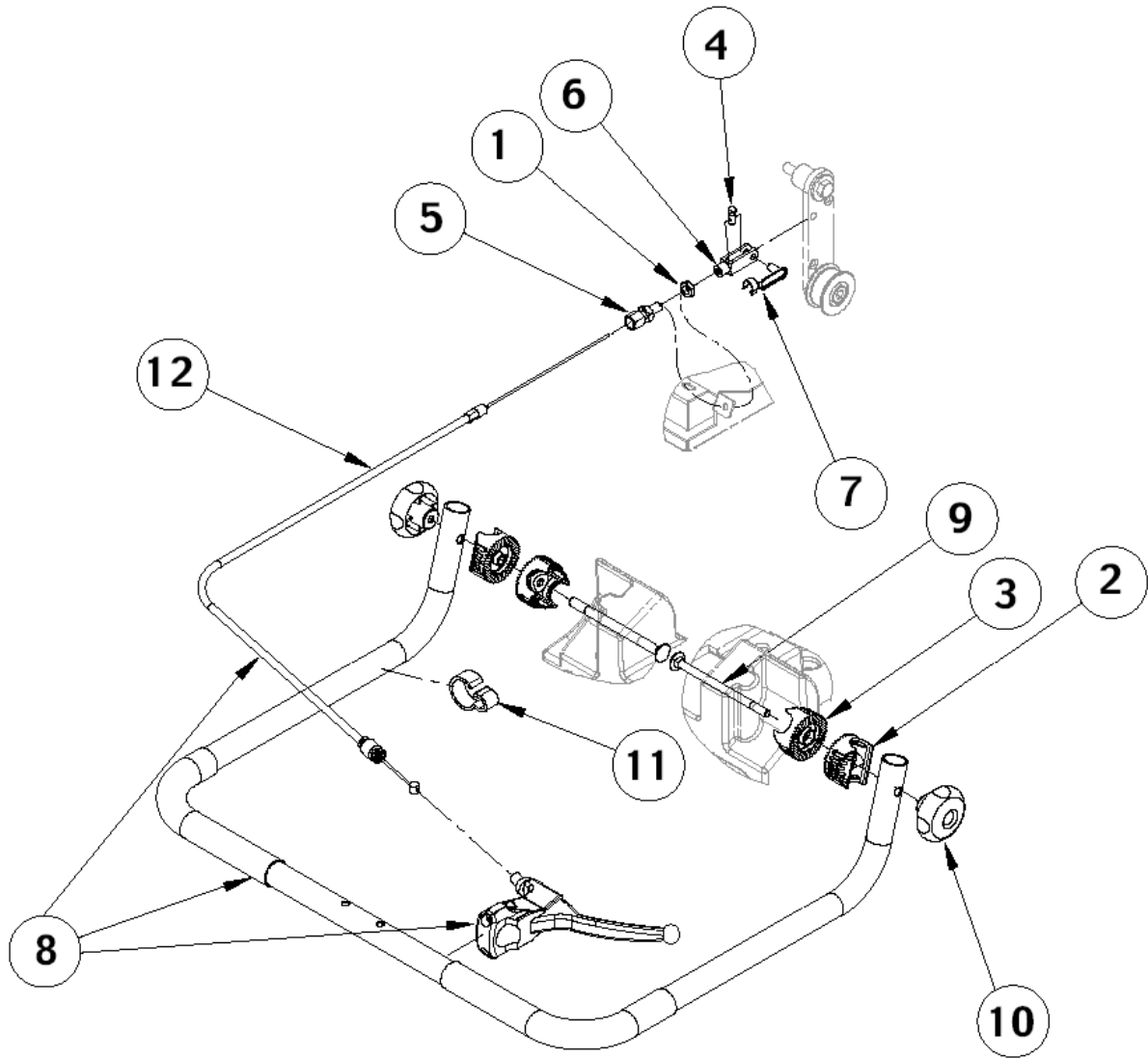
- [1] - PRUNED ACCESSORY
- [2] - ITEM NO LONGER AVAILABLE
- [3] - NO LONGER AVAILABLE
- [4] - STOCK COVERS GUARANTEE



Pos.	Artikel-Nr.	Menge	Variante	Notes
1	33023667	4	NUT LOCK HEX M6 LOW ISO10511 5 PCS SET	
2	33023194	1	NUT LOCK HEX M5 LOW ISO10511 10 PCS SET	
3	1467025000	1	TIE CABLE 2.9X130 BLACK 10 PCS SET	
4	146 0669 000	3	Schraube THD	[1]
5	145 4806 000	1	Staubfilter Papier	
5	145 4746 000	1	Staubfilter Polyester	
5	146 0368 000	1	Filter anitstatisch	
6	145 8885 000	1	Schalter rot	[2]
7	33023195	1	WASHER M5 UNI6592 10 PCS SET	
8	33023193	1	SCREW M5X12 HEX HD ISO4017 10 PCS SET	
9	33003972	4	Schraube M6 x 12	
10	146 0573 000	1	Filterhaken	[2]
11	146 0574 000	1	Rahmen Filter	[2]
12	146 0580 000	1	Kabelsatz kpl. f. Filter-	[2]
13	146 0607 000	1	Lüfterschutz	[2]
14	146 0629 000	1	Dichtung L1600	
15	146 0741 000	1	Dichtung für SchmutzbehälSR 1000 SP	
16	33005839	4	U-Scheibe M5	[3]
17	145 4771 000	4	Schraube M5	[2]
18	145 5913 000	1	Madenschraube 5x6	[2]
19	1466857000	1	CAM F FILTER SHAKER KIT	
20	33004329	4	Schraube M5X20 UNI5931	[4]
21	146 0527 000	1	Filterrüttelmotor f.	
22	1466335000	1	BRACKET FILTER SHAKER PKD	
23	145 9853 000	1	Sicherung 15A	
24	1467035000	1	HOLDER FUSE THERMOPL.UL 94-V0 SIP	
25	145 9377 000	1	Relais 12V Mod.101 zu SW	[2]
26	146 0661 000	1	Dichtungsring	
27	33023195	4	WASHER M5 UNI6592 10 PCS SET	

Part Notes:

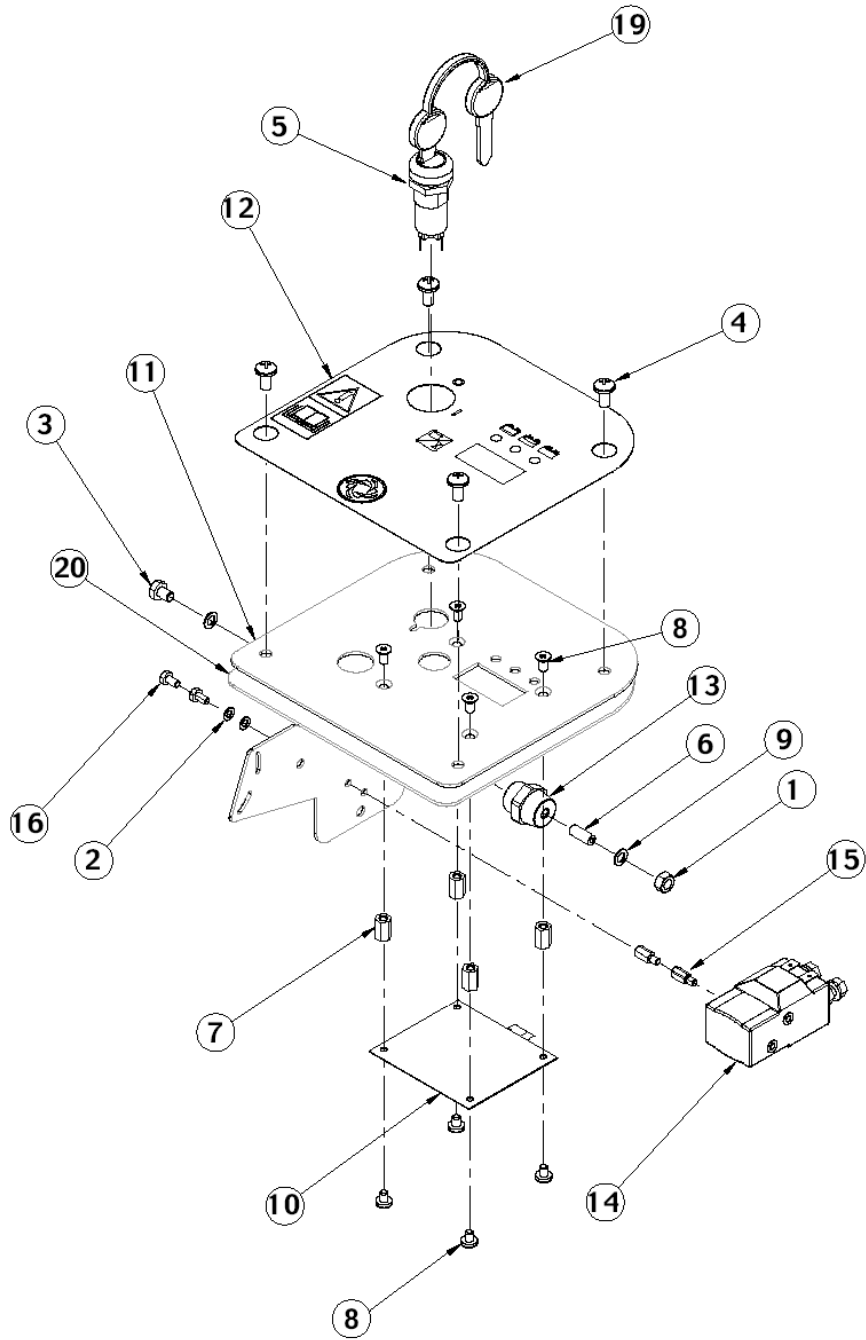
- [1] - ITEM NO LONGER AVAILABLE
- [2] - NO LONGER AVAILABLE
- [3] - STOCK COVERS GUARANTEE
- [4] - GUARANTEE DATE EXPIRED



Pos.	Artikel-Nr.	Menge	Variante	Notes
1	33005533	1	Nut HEX M8 UNI 5589	
2	56264118	2	Griffverstellung AX 300	
3	56264123	2	Griffverstellung AX 300	
4	145 8110 000	1	Kabelklammer	[1]
5	145 9283 000	1	Einstellschraube M8x35	[1]
6	1467516000	1	CLEVIS M6X24 GALV. DIN71752 SIP	
7	145 9410 000	1	Clip M 6	
8	146 1174 000	1	Seilzug	[2]
9	146 0778 000	2	Schraube M8 x 130	[2]
10	146 1852 000	2	Handrad M8 zu BA 650/S	
11	146 0763 000	1	Seilzug	[2]
12	146 1172 000	1	Kabelzug Flap SW 850 S	
12	146 0736 000	1	Kabelzug FahrtriebSW 700/SP	[3]

Part Notes:

- [1] - STOCK COVERS GUARANTEE
- [2] - NO LONGER AVAILABLE
- [3] - GUARANTEE DATE EXPIRED

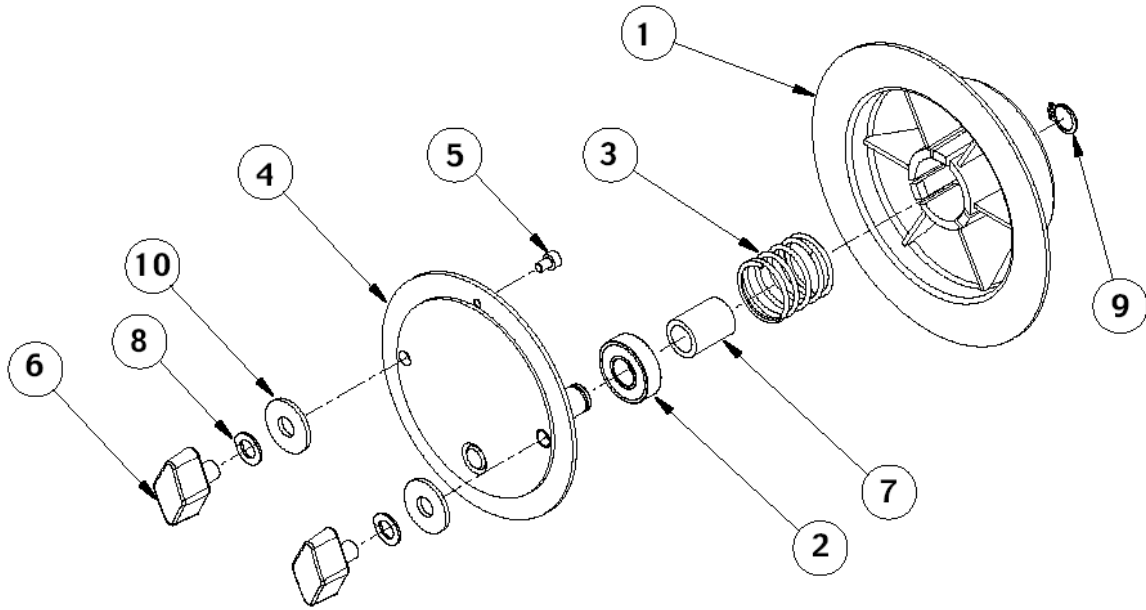


Pos.	Artikel-Nr.	Menge	Variante	Notes
1	33005502	1	Nuss M6	
2	33005862	2	U-Scheibe	
3	146 1453 000	1	SCREW M6X10 HEX HD F/THD ISO4017	
4	L08603706	4	Schraube M6x12 UNI 7687	[1]
5	9100001354	1	Schlüsselschalter komplett	
6	146 1678 000	1	SCREW GRUB M6X30 CUP POINT ISO4029	
7	146 0657 000	4	SPACER HEX M4 L.11 FEMALE PLAST.	[1]
8	146 0658 000	4	Schraube M4 x 8	[1]
9	33005851	2	Unterlegscheibe	
10	1466166000	1	CARD ELECTRONIC PKD	[2]
11	146 0576 000	1	Bedienfeld	[1]
12	146 0584 000	1	Bedienfeld	[3]
13	146 0708 000	1	Isolator weiß M6	
14	146 0626 000	1	SWITCH ELECTROMAGNETIC 12V	
15	146 0627 000	2	Abstandshalter	
16	146 0632 000	2	Schraube	[2]
17	L08812094	4	SCREW M4X5 PAN HD PHIL ISO7045	[1]
19	146 2887 000	1	Schlüssel (2 Stück)	
20	146 0697 000	1	Dichtung	

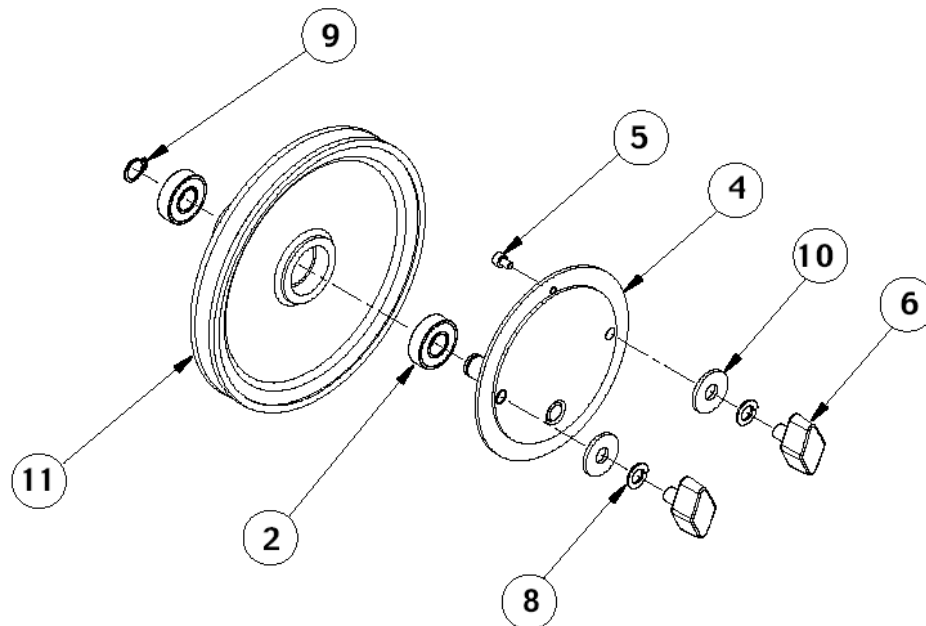
Part Notes:

- [1] - NO LONGER AVAILABLE
 [2] - STOCK COVERS GUARANTEE
 [3] - GUARANTEE DATE EXPIRED

12 Left hub assembly Kit



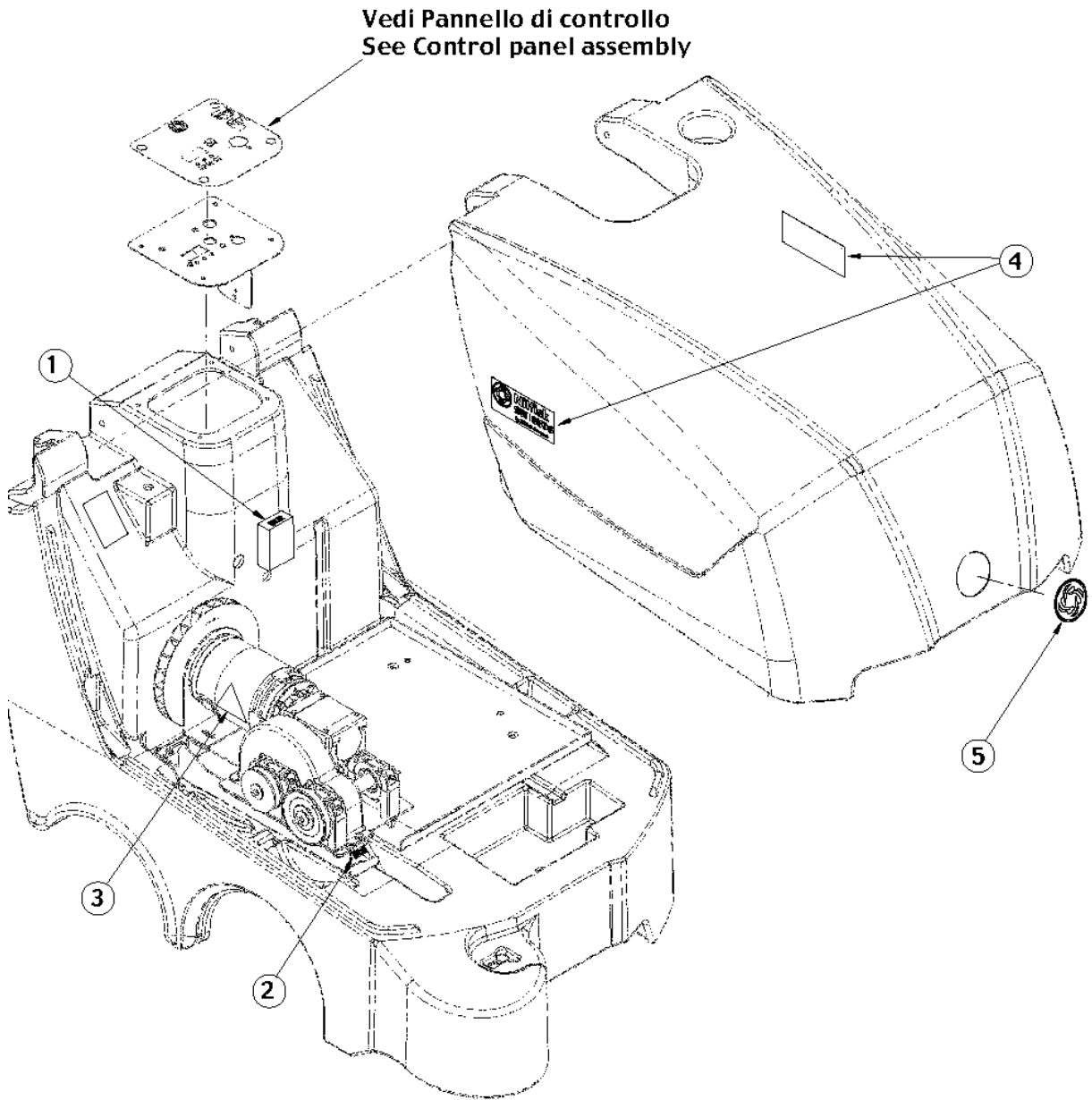
13 Right hub assembly Kit



Pos.	Artikel-Nr.	Menge	Variante	Notes
1	1467023000	1	HUB LEFT MAIN BROOM PKD	
2	44905699	3	BEARING BALL 6001 2RS PKD	
3	1467024000	1	SPRING PKD	
4	145 0272 000	2	Bolzen	[1]
5	33004305	2	Schraube	
6	145 1211 000	4	Griffschraube M8x12	
7	145 2663 000	1	Abstandsring 12x17x22,5	
8	33023223	4	U-Scheibe M8 UNI1751B 10 Stck.	
9	33006051	2	Ring D12	
10	33023660	4	WASHER PLAIN M8X24X2 ISO7093 5 PCS SET	
11	145 2617 000	1	Keilriemenscheibe SW 850	

Part Notes:

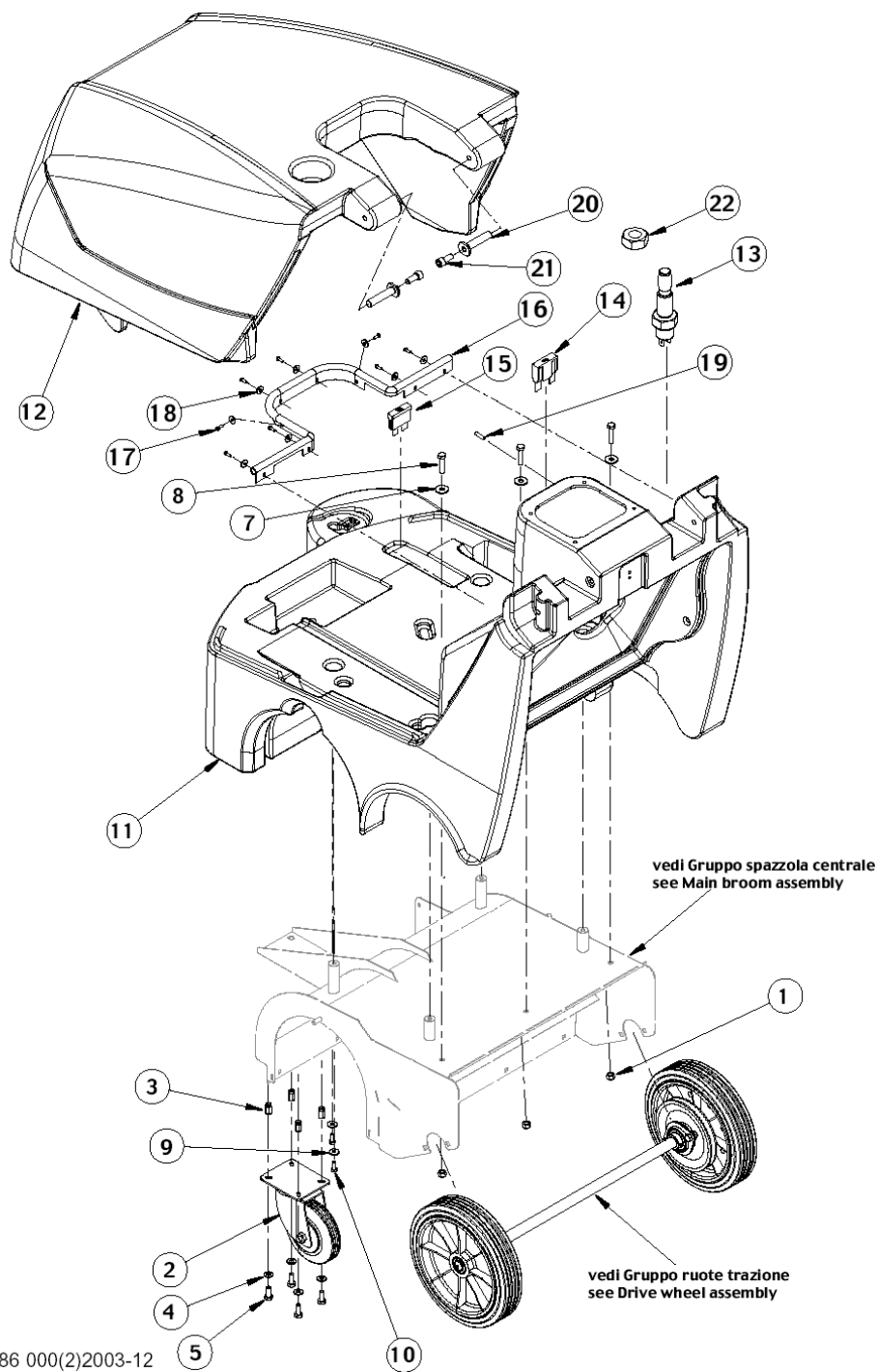
[1] - STOCK COVERS GUARANTEE



Pos.	Artikel-Nr.	Menge	Variante	Notes
1	145 0578 000	1	Sicherung 60A (Schild)	[1]
2	145 1355 000	1	Sicherheitsaufkleber 15A	[1]
3	145 1431 000	1	DECAL DANGER MOVING PARTS	[2]
4	1463785000	2	Aufkleber SW 850S	[1]
5	L08812933	1	Etiketten Nilfisk, rund	[1]

Part Notes:

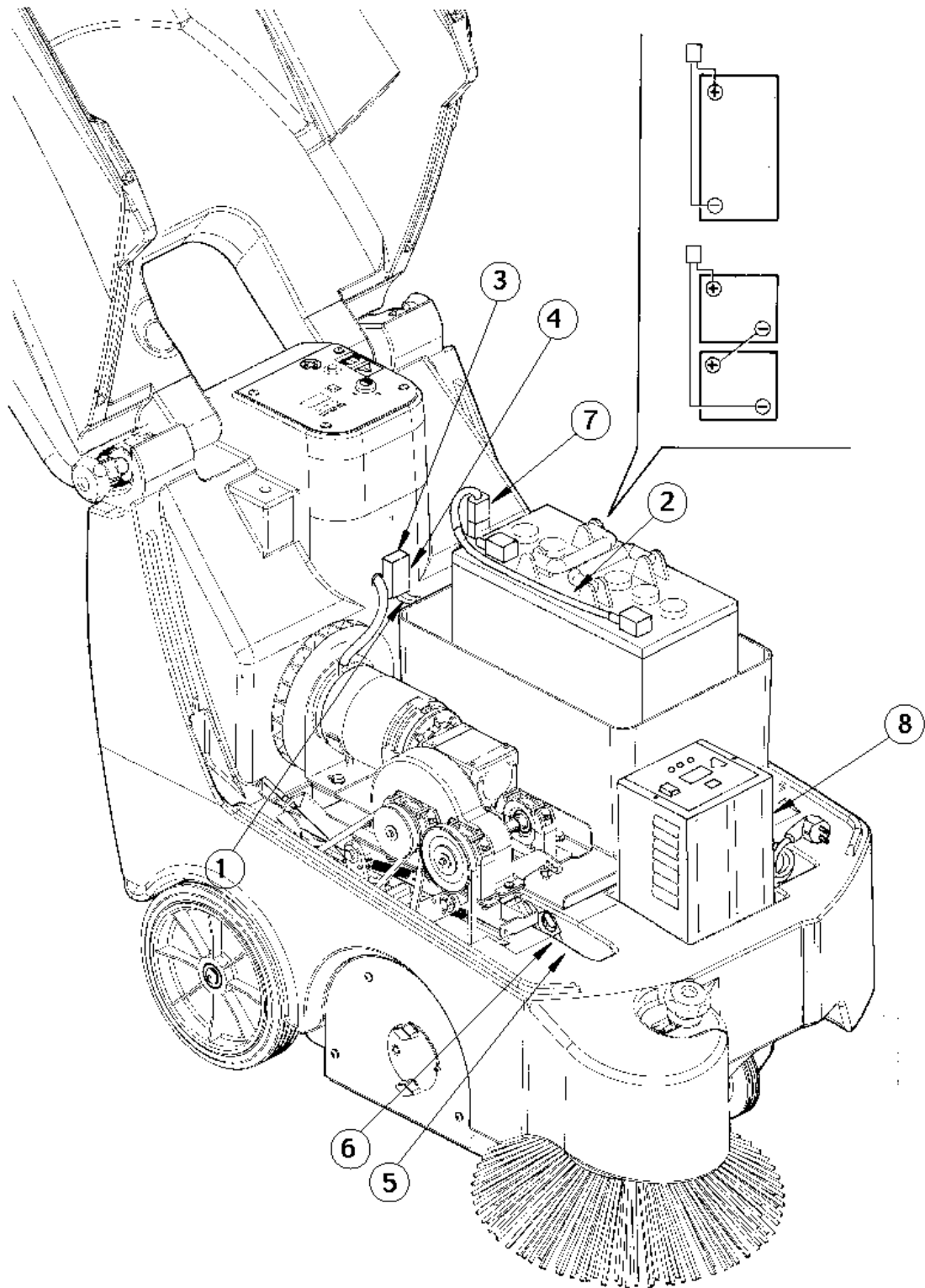
- [1] - NO LONGER AVAILABLE
- [2] - GUARANTEE DATE EXPIRED



Pos.	Artikel-Nr.	Menge	Variante	Notes
1	33023574	1	NUT LOCK HEX M8 ISO10511 PCS 10 SET	
2	146 0569 000	1	Rad m. Bremse	[1]
2	145 5115 000	1	Schwenkrad zu SW 5080	[2]
3	145 6133 000	4	Einsatz M8	[3]
4	33023208	4	WASHER M8 UNI6592 10 PCS SET	
5	33005444	4	Schraube M8x20 verzinkt	
7	33023660	3	WASHER PLAIN M8X24X2 ISO7093 5 PCS SET	
8	33003997	3	Schraube M8 X 35	
9	1466530000	2	WASHER PLAIN M6X18 ISO7093 10 PCS SET	
10	33023255	2	SCREW M6X16 HEX ISO4017 10 PCS SET	
11	146 0726 000	1	CHASSIS ROTOMOLDED	[3]
12	146 0727 000	1	HOOD ROTOMOLDED.BATTERY	[3]
13	146 0565 000	1	Schalter zu Haube SW700/S	
14	909 6218 000	1	Sicherung 60 A	
15	145 9853 000	1	Sicherung 15A	
16	146 0733 000	1	Dichtung	[3]
17	146 0669 000	8	Schraube THD	[4]
18	1467686000	8	WASHER PLAIN M5X15 ISO7093 10 PCS SET	
19	1467896000	1	PLUG DOME PLASTIC BLACK D.14.7 2 PCS SET	
20	146 0774 000	2	Distanzstück	[3]
21	33004387	2	SCREW M10X25 CAP HD HEX SOCK ISO4762	
22	146 0637 000	1	Sechskantmutter M14	

Part Notes:

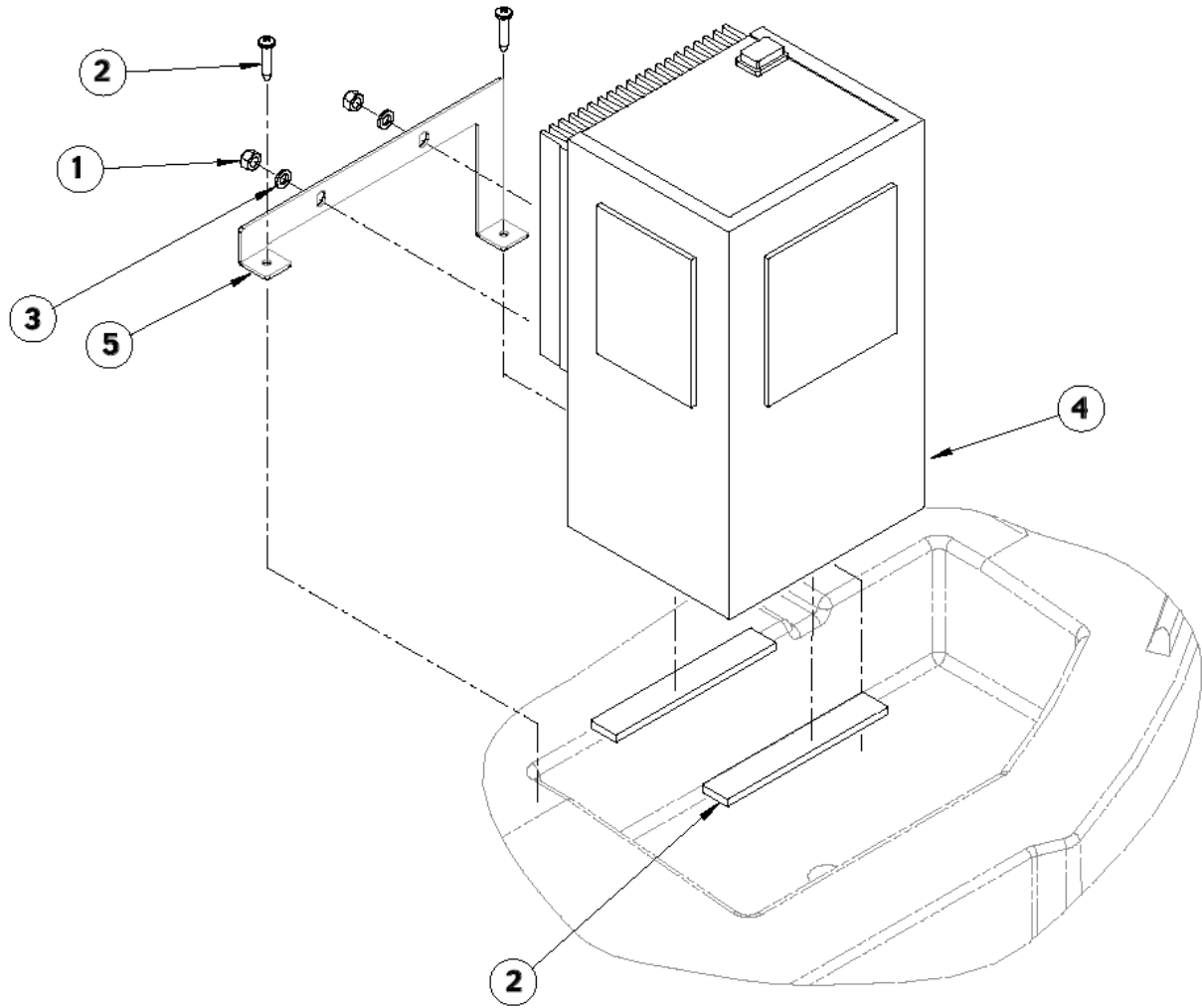
- [1] - PRUNED ACCESSORY
- [2] - STOCK COVERS GUARANTEE
- [3] - NO LONGER AVAILABLE
- [4] - ITEM NO LONGER AVAILABLE



Pos.	Artikel-Nr.	Menge	Variante	Notes
1	146 0579 000	1	Kabelbaum	[1]
2	146 0581 000	1	Kabelsatz f. Batterie	[1]
3	146 0659 000	1	Sicherungshalter gross	
4	909 6218 000	1	Sicherung 60 A	
5	1467035000	1	HOLDER FUSE THERMOPL.UL 94-V0 SIP	
6	145 9853 000	1	Sicherung 15A	
7	145 9417 000	1	Ladestecker 50A SB50 grau	[1]
8	146 0635 000	1	Einbauladegerät	[2]

Part Notes:

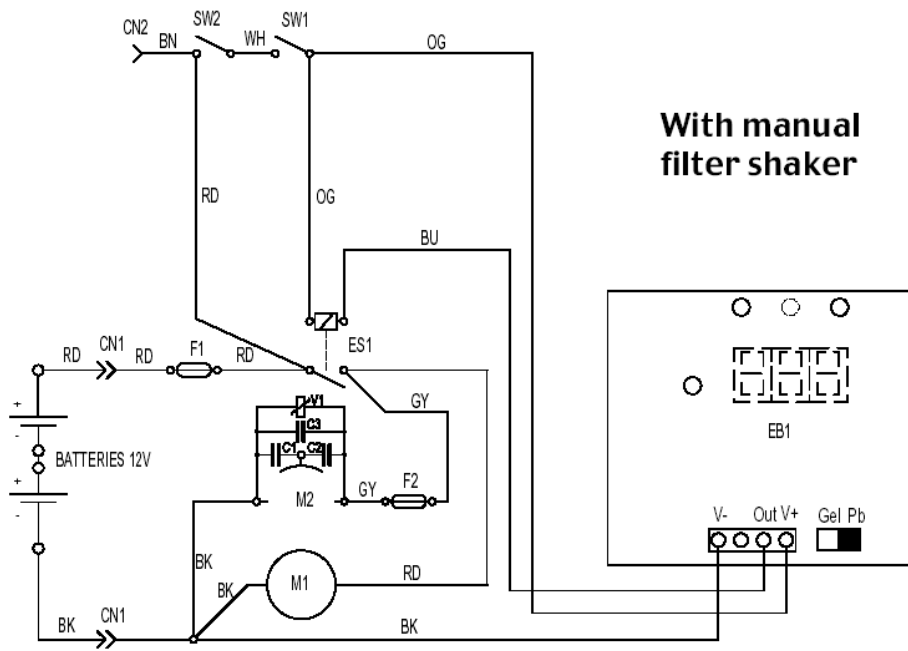
- [1] - NO LONGER AVAILABLE
- [2] - PRUNED ACCESSORY



Pos.	Artikel-Nr.	Menge	Variante	Notes
1	33023667	1	NUT LOCK HEX M6 LOW ISO10511 5 PCS SET	
2	145 5876 000	1	SCREW 4.8X25 SELF PAN HD PHIL ISO7049	[1]
3	33023396	1	WASHER PLAIN M6X12 ISO7089 10 PCS SET	
4	146 2359 000	1	Einbauladegerät 12V-20A 230V	[2]
5	146 0655 000	1	Bügel	[1]
6	146 0656 000	1	Dichtung	[3]

Part Notes:

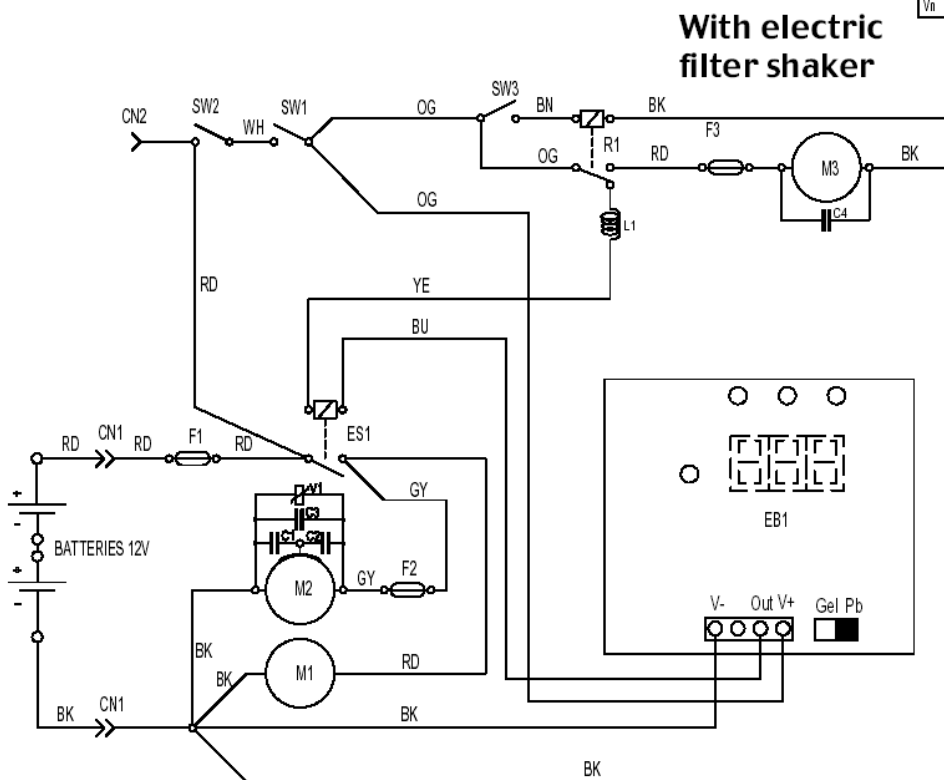
- [1] - NO LONGER AVAILABLE
- [2] - STOCK COVERS GUARANTEE
- [3] - GUARANTEE DATE EXPIRED



With manual filter shaker

COMPONENTS	
CH1	BATTERY CHARGER
CN1	BATTERY CONNECTOR
CN2	CHARGER CONNECTOR
EB1	ELECTRONIC BOARD
ES1	ELECTROMAGNETIC SWITCH
F-1	MAIN FUSE (60A)
F2	EXT BRUSH FUSE (15A)
F3	SHAKER FUSE (15A)
M1	MAIN BRUSH MOTOR
M2	EXT BRUSH MOTOR
M3	SHAKER MOTOR
R1	SHAKER RELAIS
SW1	KEY SWITCH
SW2	SECURITY COVER SWITCH
SW3	SHAKER SWITCH

EMC FILTER COMPONENTS	
Cn	CAPACITIVE FILTERS
Ln	INDUCTIVE FILTERS
Vn	VARISTORS



With electric filter shaker

COLORS CODES		
BK	BLACK	nero
BU	BLUE	azzurro
BN	BROWN	marrone
GN	GREEN	verde
GY	GREY	grigio
OG	ORANGE	arancio
PK	PINK	rosa
RD	RED	rosso
VT	VIOLET	viola
WH	WHITE	bianco
YE	YELLOW	giallo

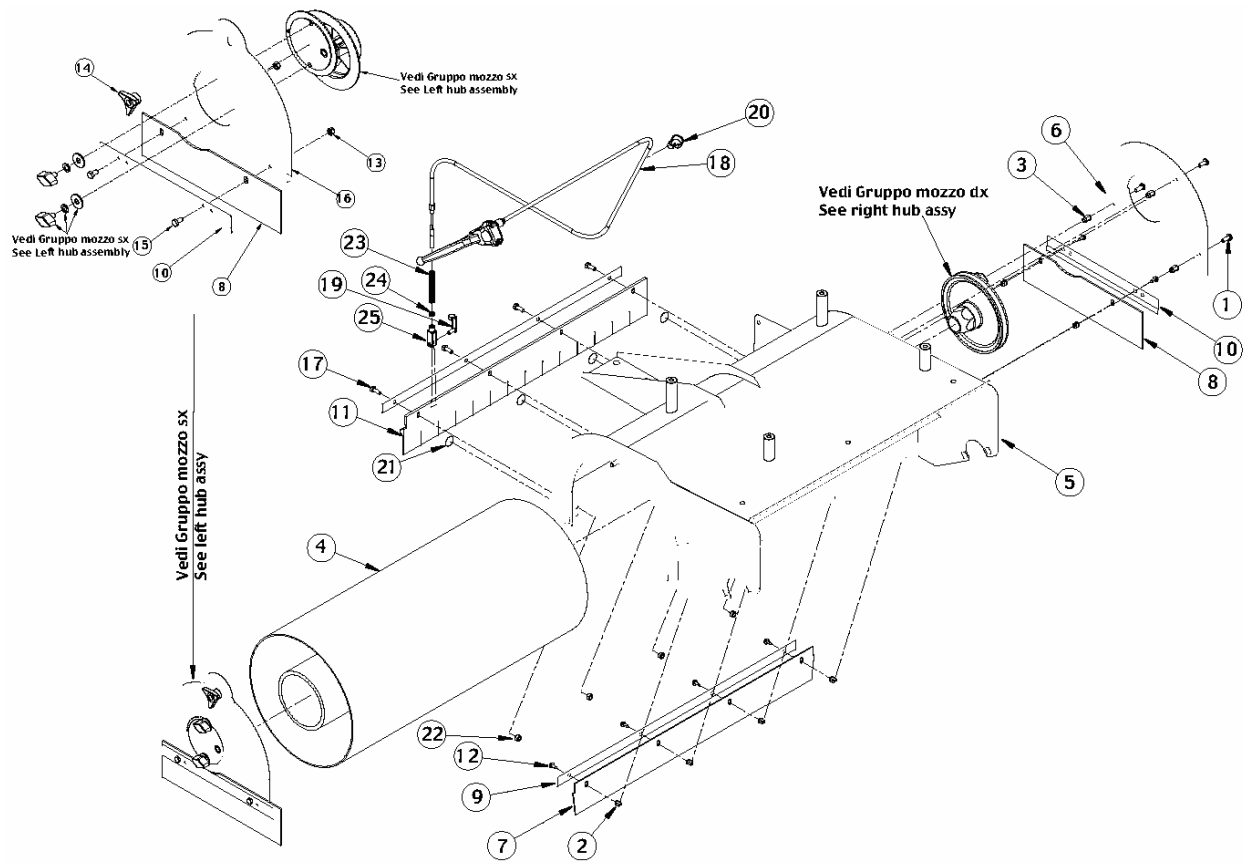
Pos.	Artikel-Nr.	Menge	Variante	Notes
------	-------------	-------	----------	-------

Pos Item Bild Rép	Codice Ref. No. Art. Nr. Réf. No	Quantità Qty Menge Qté	Descrizione	Description
MATERIALE DI USURA / WEAR PARTS				
1	145 4806 000	1	Filtro	Filter paper
2	146 0756 000	1	Flap anteriore standard	Front skirt std
3	146 0555 000	2	Flap laterale dx-sx	Side skirt left/ right
4	146 0748 000	1	Spazzola centrale std ø 265 PPL (ø setole 0,7 mm)	Main broom std ø 265 mm PPL (ø of bristles 0,7 mm)
5	146 0571 000	1	Fusibile 60A	Fuse 60A
6	145 9853 000	1	Fusibile 15A	Fuse 15A
7	145 1899 000	1	Spazzola laterale PPL (ø setole 0,8 mm)	Side broom PPL (ø of bristles 0,8 mm)
8	146 0738 000	1	Flap posteriore standard	Rear skirt std
MANUTENZIONE ORDINARIA / ORDINARY MAINTENANCE				
8	145 0274 000	2	Molla tendicinghia	Belt tension spring
9	146 0150 00	1	Cinghia spazzola centrale	Main broom belt
10	146 0767 000	1	Cinghia trazione	Drive belt
11	146 0519 000	1	Mozzo spazzola laterale	Side broom hub
12	145 5042 000	4	Spazzole motore elettrico di comando	Electric drive motor carbon brushes
MANUTENZIONE STRAORDINARIA / EXTRAORDINARY MAINTENANCE				
13	146 0513 000	1	Ruota posteriore destra	Rear wheel right
14	146 0518 000	1	Ruota posteriore sinistra	Rear wheel left
15	146 0755 000	1	Cavo alzaflap con leva	Skirt lifting cable w/lever
16	146 0532 000	1	Motoriduttore spazzola laterale	Side broom motor gear box
17	146 0626 000	1	Teleruttore	Solenoid contactor
18	146 0570 000	1	Scheda elettronica display	Electronic board display
19	146 0565 000	1	Microinterruttore cofano	Hood switch
20	145 0270 000	3	Cuscinetto spazzola centrale	Ball bearing main broom
21	145 1123 000	3	Cuscinetto gruppo trasmissione	Ball bearing transmission
22	145 9186 000	2	Cuscinetto per tendicinghia	Ball bearing belt tensioner
23	146 0629 000	1	Guarnizione filtro	Filter gasket
24	146 0741 000	1	Guarnizione cassetto rifiuti	Hopper gasket
25	146 0806 000	1	Chiavi di ricambio 2 pz. (per 145 0372 000)	Keys 2 pcs. (for 145 0372 000)
26	146 0736 000	1	Cavo trazione (prima della matricola 031804462)	Cable traction (before serial number 031804462)
26	146 1172 000	1	Cavo trazione (dopo la matricola 031804462)	Cable traction (after serial number 031804462)
ACCESSORI / OPTIONS				
27	146 0738 000	1	Flap anteriore più rigido	Skirt front stiffer type
28	146 0756 000	1	Flap posteriore morbido	Skirt rear soft
29	146 0742 000	1	Flap anteriore antitraccia	Skirt front non marking
30	146 0743 000	1	Flap posteriore antitraccia	Skirt rear non marking
31	146 0587 000	1	Flap laterale dx/ sx antitraccia	Skirt side right / left non marking
32	146 0569 000	1	Ruota pivoettante con freno	Locking front castor wheel
33	146 0368 000	1	Filtro in poliestere antistatico	Polyester filter - antistatic
34	145 4746 000	1	Filtro in poliestere BIA C approvato	Polyester filter - BIA C approved
35	146 0782 000	1	Pre-filtro	Pre-filter
36	146 0750 000	1	Spazzola centrale ø265x500 misto acciaio	Main broom ø265x500 steel mix
37	146 0749 000	1	Spazzola centrale ø265x500 saggina	Main broom ø265x500 natural fibre
38	145 4959 000	1	Spazzola laterale ø180x420 misto acciaio	Side broom ø180x420 steel mix
39	145 4976 000	1	Spazzola laterale ø180x420 saggina	Side broom ø180x420 natural fibre
40	146 0678 000	1	Spazzola laterale ø180x347 nylon	Side broom ø180x347 nylon
41	146 0634 000	1	Kit scuotifiltro elettrico	Electric filter shaker kit
42	146 0635 000	1	Kit caricabatteria a bordo	Battery charger on board kit
43	146 0569 000	1	Ruota pivoettante con freno	Wheel castor with brake

Pos.	Artikel-Nr.	Menge	Variante	Notes
1	145 4806 000	1	Staubfilter Papier	
2	146 0756 000	1	Spritz Gummi, vorne	
3	146 0555 000	2	Seiten Gummi	
4	146 0748 000	1	Kehrwalze 265x600 mm, PP 0,7	
5	909 6218 000	1	Sicherung 60 A	
6	145 9853 000	1	Sicherung 15A	
7	145 1899 000	1	Seitenbesen PP 0,7 180x400 mm	
8	146 0738 000	1	Spritz Gummi hinten	
8	145 0274 000	2	Zugfeder	
9	146 0150 00	1	Keilriemen	[1]
10	1467726000	1	BELT V COGGED XPZ 1162 SIP	[2]
11	146 0519 000	1	Flansch 12mm Seitenbesen	
12	1464433000	4	Kohlebürsten-Kit (4St.)	
13	1466321000	1	WHEEL CPL D.250 RT GREY/BLACK PKD	
14	1466320000	1	WHEEL CPL D.250 LT GREY/BLACK PKD	
15	146 0755 000	1	CABLE	[1]
16	146 0532 000	1	Getriebemotor f. Seiten-	
17	146 0626 000	1	SWITCH ELECTROMAGNETIC 12V	
18	1466166000	1	CARD ELECTRONIC PKD	[1]
19	146 0565 000	1	Schalter zu Haube SW700/S	
20	44905699	3	BEARING BALL 6001 2RS PKD	
21	145 1123 000	3	Lager YAT204	
22	145 9186 000	2	Kugellager 6000-2RS	[3]
23	146 0629 000	1	Dichtung L1600	
24	146 0741 000	1	Dichtung für SchutzbehälSR 1000 SP	
25	146 2887 000	1	Schlüssel (2 Stück)	
26	146 0736 000	1	Kabelzug FahrtriebSW 700/SP	[2]
26	146 1172 000	1	Kabelzug Flap SW 850 S	
27	146 0738 000	1	Spritz Gummi hinten	
28	146 0756 000	1	Spritz Gummi, vorne	
30	146 0743 000	1	Gummileiste, hinten	
31	146 0587 000	1	Spritz Gummi seitlich	
32	146 0569 000	1	Rad m. Bremse	[4]
33	146 0368 000	1	Filter anitstatisch	
34	145 4746 000	1	Staubfilter Polyester	
35	146 0782 000	1	Vorfilter (Teppichkehren)	
36	146 0750 000	1	Kehrwalze 265x600 mm, Stahlmix	
37	146 0749 000	1	Kehrwalze natur	[5]
38	145 4959 000	1	Seitenbesen 180x400 mm, Stahlmix	
39	145 4976 000	1	Seitenbesen 180x400 mm, Naturborsten	
40	146 0678 000	1	Seitenbesen 180x350 mm, Nylon	
41	146 2670 000	1	Elektr. Filterrüttler	[4]
42	146 0635 000	1	Einbauladegerät	[4]
43	146 0569 000	1	Rad m. Bremse	[4]

Part Notes:

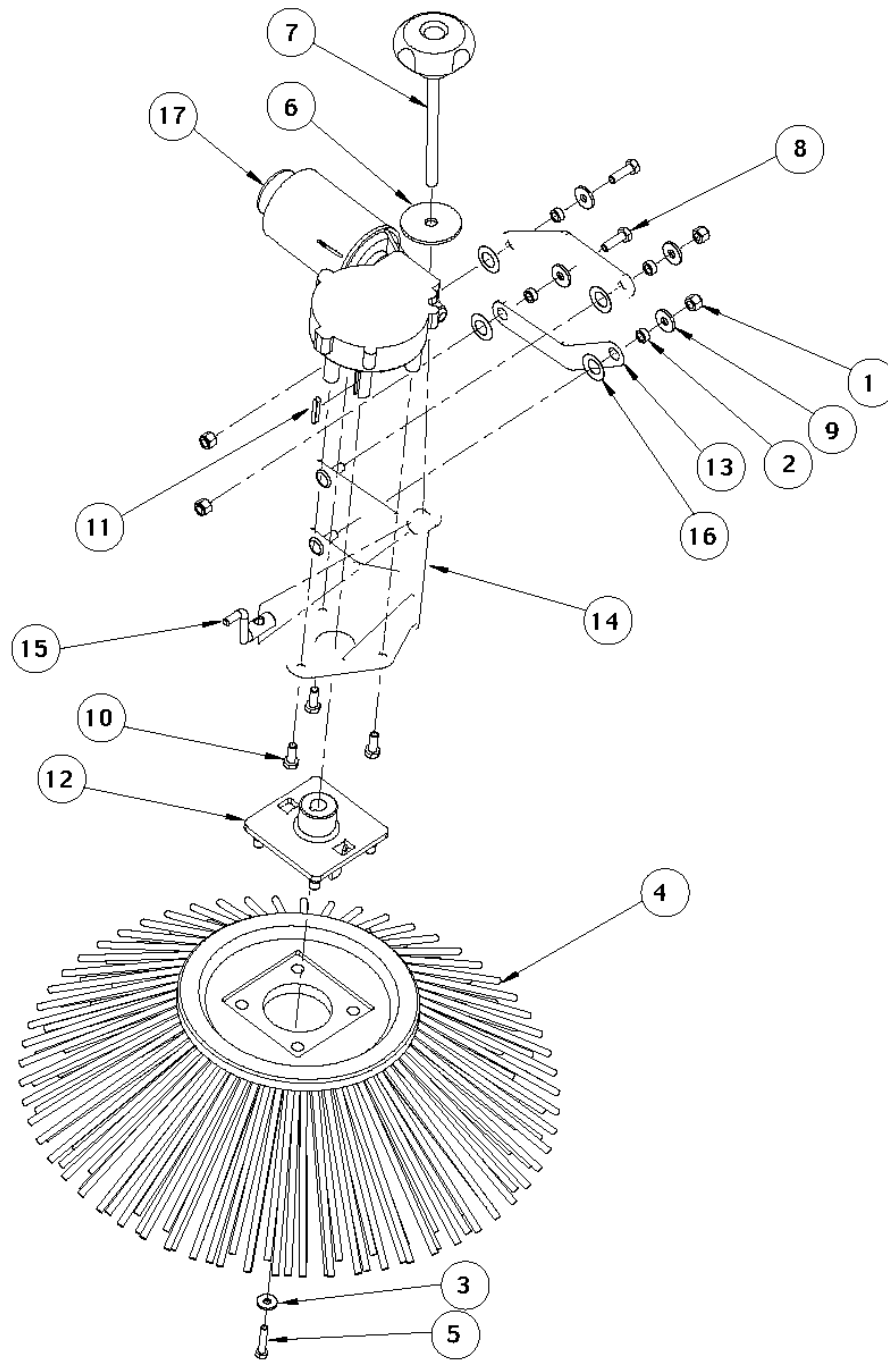
- [1] - STOCK COVERS GUARANTEE
- [2] - GUARANTEE DATE EXPIRED
- [3] - NO LONGER AVAILABLE
- [4] - PRUNED ACCESSORY
- [5] - PI 2015-001 TTY



Pos.	Artikel-Nr.	Menge	Variante	Notes
1	L08812095	3	Schraube M6x16	
2	145 4652 000	6	Mutter	[1]
3	145 4772 000	3	Beilagscheibe M6	
4	146 0750 000	1	Kehrwalze 265x600 mm, Stahlmix	
4	146 0749 000	1	Kehrwalze natur	[2]
4	146 0748 000	1	Kehrwalze 265x600 mm, PP 0,7	
5	146 0729 000	1	Halterung f. Kehrwalze	[3]
6	146 2137 000	1	Klappe f. Hauptkehrwalze	
7	146 0738 000	1	Spritz Gummi hinten	
8	146 0587 000	2	Spritz Gummi seitlich	
8	146 0555 000	2	Seiten Gummi	
9	146 0739 000	2	Halteschiene	
10	146 0557 000	2	Seiten Gummistreifen	
11	146 0743 000	1	Gummileiste, hinten	
11	146 0756 000	1	Spritz Gummi, vorne	
12	145 5867 000	6	Schraube	
13	L08603682	2	Stopmutter	
14	145 5035 000	1	Griffmutter M 8	
15	33003972	2	Schraube M6 x 12	
16	1466363000	1	HATCH LT MET. GREY F MAIN BROOM SIP	
17	33023255	4	SCREW M6X16 HEX ISO4017 10 PCS SET	
18	146 0755 000	1	CABLE	[1]
19	145 9410 000	1	Clip M 6	
20	146 0763 000	1	Seilzug	[4]
21	146 0772 000	4	DECAL ROUND GREY	[4]
22	33023667	4	NUT LOCK HEX M6 LOW ISO10511 5 PCS SET	
23	145 1935 000	1	Spring	
24	33023183	1	NUT HEX M6 LOW ISO4035 10 PCS SET	[4]
25	1467516000	1	CLEVIS M6X24 GALV. DIN71752 SIP	

Part Notes:

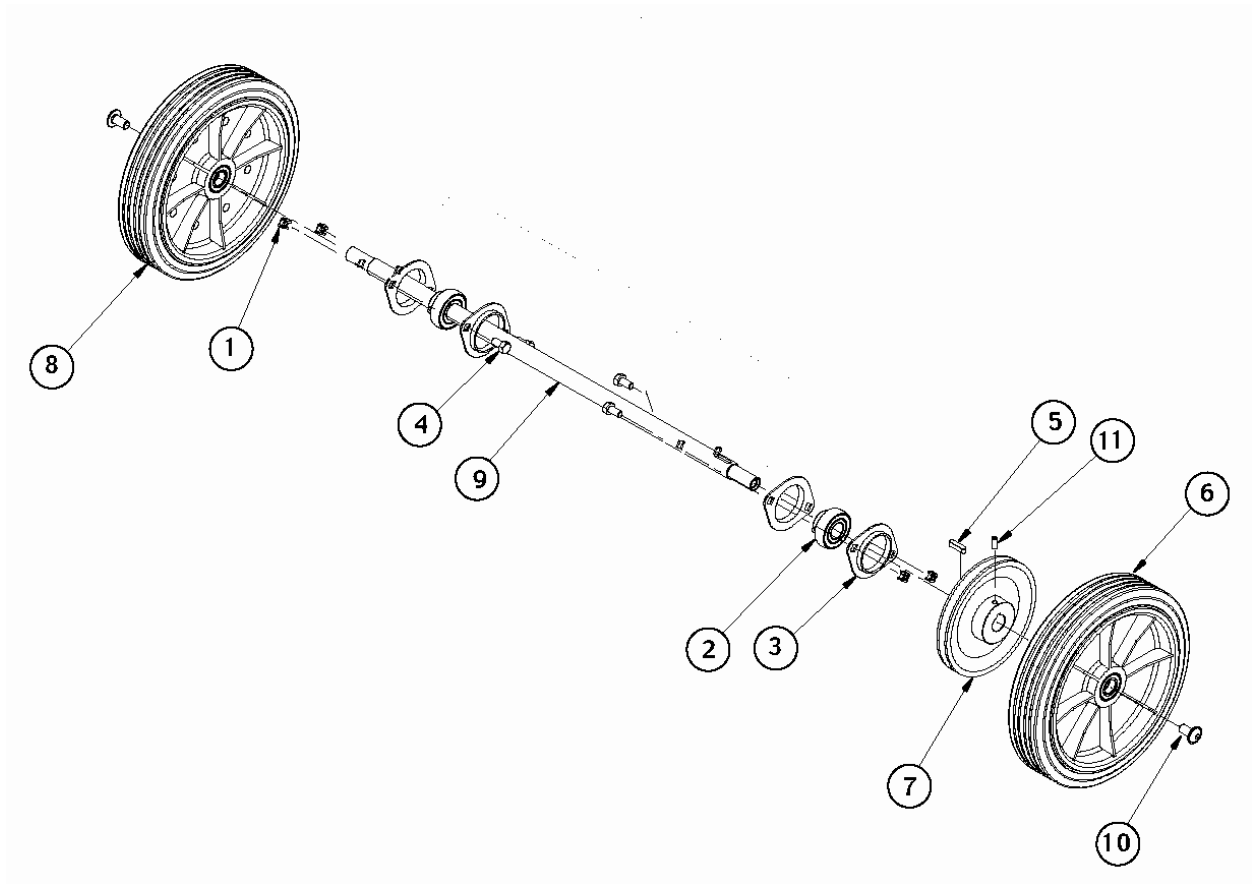
- [1] - STOCK COVERS GUARANTEE
- [2] - PI 2015-001 TTY
- [3] - SEE PI 2017-002
- [4] - NO LONGER AVAILABLE



Pos.	Artikel-Nr.	Menge	Variante	Notes
0	146 0810 000	1	HARDWARE SIDE BROOM KIT	[1]
1	33023469	4	NUT LOCK HEX M6 ISO7040 10 PCS SET	
2	145 1252 000	4	Distanzhülse 6,5x10x4,5	
3	1467686000	1	WASHER PLAIN M5X15 ISO7093 10 PCS SET	
4	145 4959 000	1	Seitenbesen 180x400 mm, Stahlmix	
4	145 1899 000	1	Seitenbesen PP 0,7 180x400 mm	[2]
4	145 4976 000	1	Seitenbesen 180x400 mm, Naturborsten	[2]
4	146 0678 000	1	Seitenbesen 180x350 mm, Nylon	[2]
5	33003964	1	Schraube M5x25	
6	145 4507 000	1	U-Scheibe 9x45 ZN	[3]
7	145 8455 000	1	Rändelschraube M8X110	[1]
8	33023470	2	SCREW M6X20 HEX HD ISO4017 10 PCS SET	
9	1466530000	4	WASHER PLAIN M6X18 ISO7093 10 PCS SET	
10	33023255	3	SCREW M6X16 HEX ISO4017 10 PCS SET	
11	145 9777 000	1	Keil 4x4x25	[4]
12	146 0519 000	1	Flansch 12mm Seitenbesen	
13	146 0558 000	2	Arm Seitenbesen SW 700	
14	146 0559 000	1	Halterung f. Seitenbesen	[3]
15	146 0560 000	1	Haken f. Seitenbesen	[1]
16	146 0617 000	4	U-Scheibe	
17	146 0532 000	1	Getriebemotor f. Seiten-	

Part Notes:

- [1] - NO LONGER AVAILABLE
- [2] - OPTIONAL
- [3] - GUARANTEE DATE EXPIRED
- [4] - STOCK COVERS GUARANTEE



Pos.	Artikel-Nr.	Menge	Variante	Notes
1	1464378000	1	HARDWARE DRIVE WHEELS SYS.KIT	[1]
2	145 1123 000	2	Lager YAT204	
3	145 8543 000	2	Lagerhalter SR 1400	[2]
5	145 9899 000	1	Keil 6 x 6 x 25 mm	
6	1466321000	1	WHEEL CPL D.250 RT GREY/BLACK PKD	
7	146 0517 000	1	Riemenscheibe	[2]
8	1466320000	1	WHEEL CPL D.250 LT GREY/BLACK PKD	
9	146 0732 000	1	Achse	[2]
11	146 0640 000	1	Schraube M6x14	[3]

Part Notes:

- [1] - INCLUDES POS. 1,4,10
NO LONGER AVAILABLE
- [2] - NO LONGER AVAILABLE
- [3] - GUARANTEE DATE EXPIRED

