

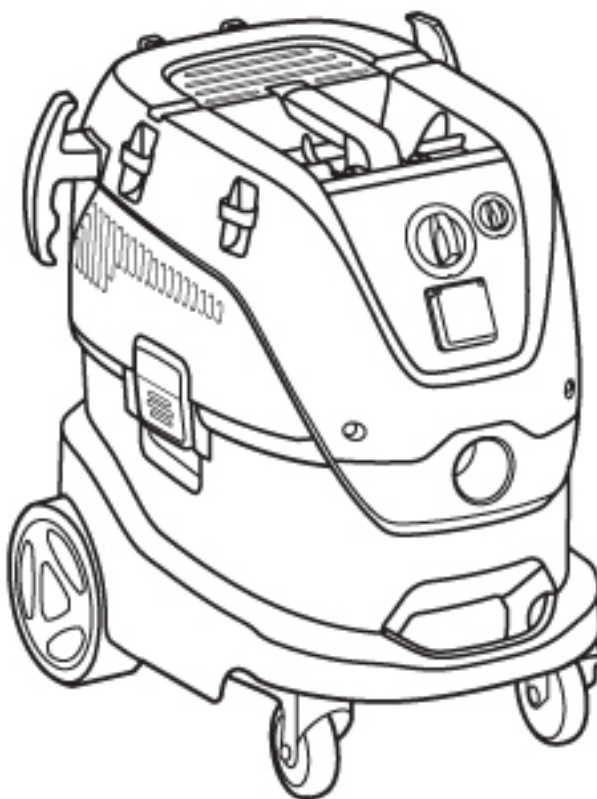
PARTS LIST



Hotline: 08337 - 75301

Moltkestraße 13 | 89281 Altenstadt-Illereichen
Tel.: 0 83 37 / 75 301 | Fax 0 83 37 / 75 303
info@wap-nilfisk-alto-shop.de

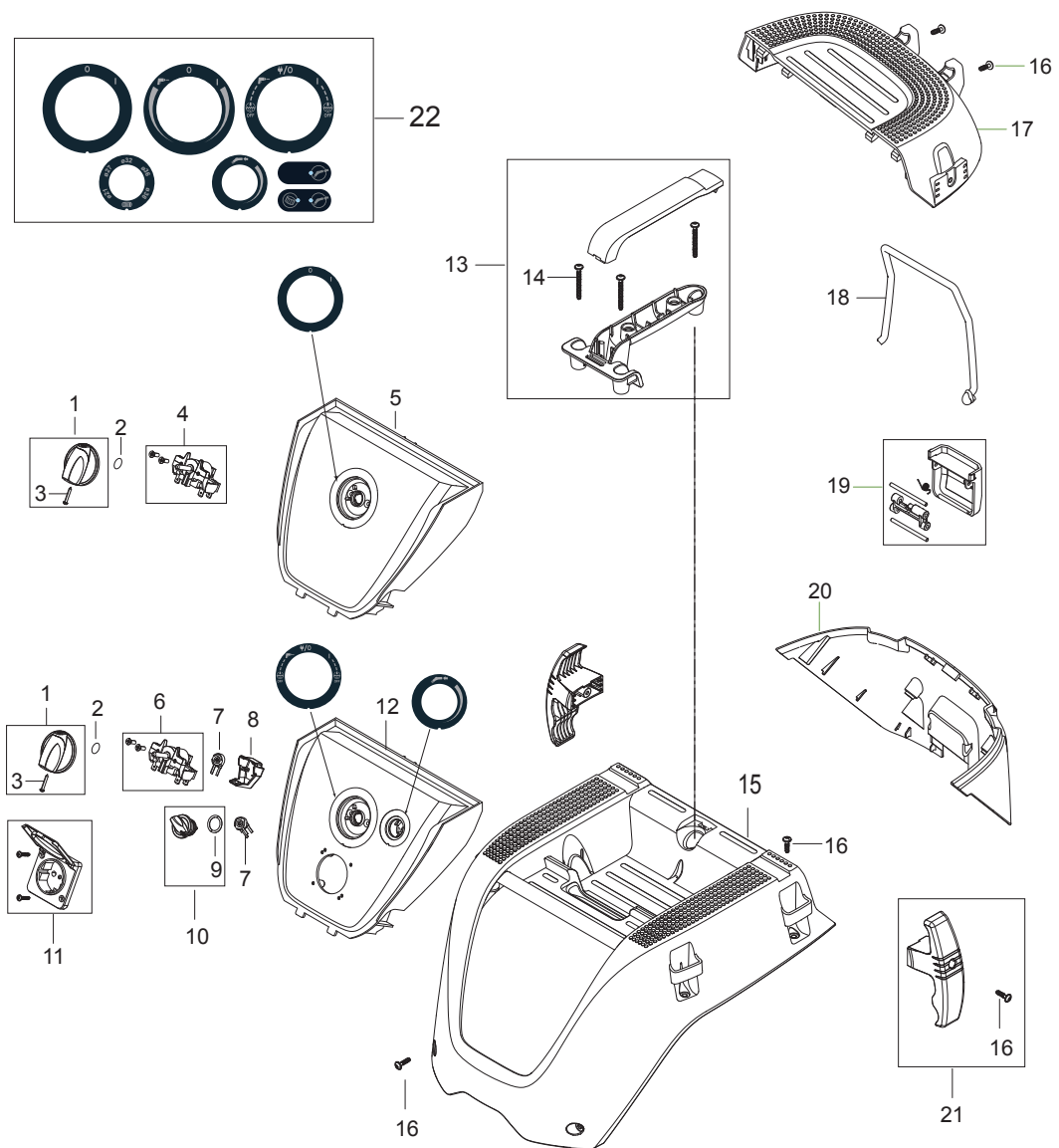
www.wap-nilfisk-alto-shop.de



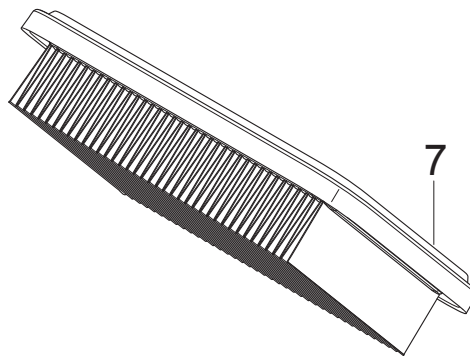
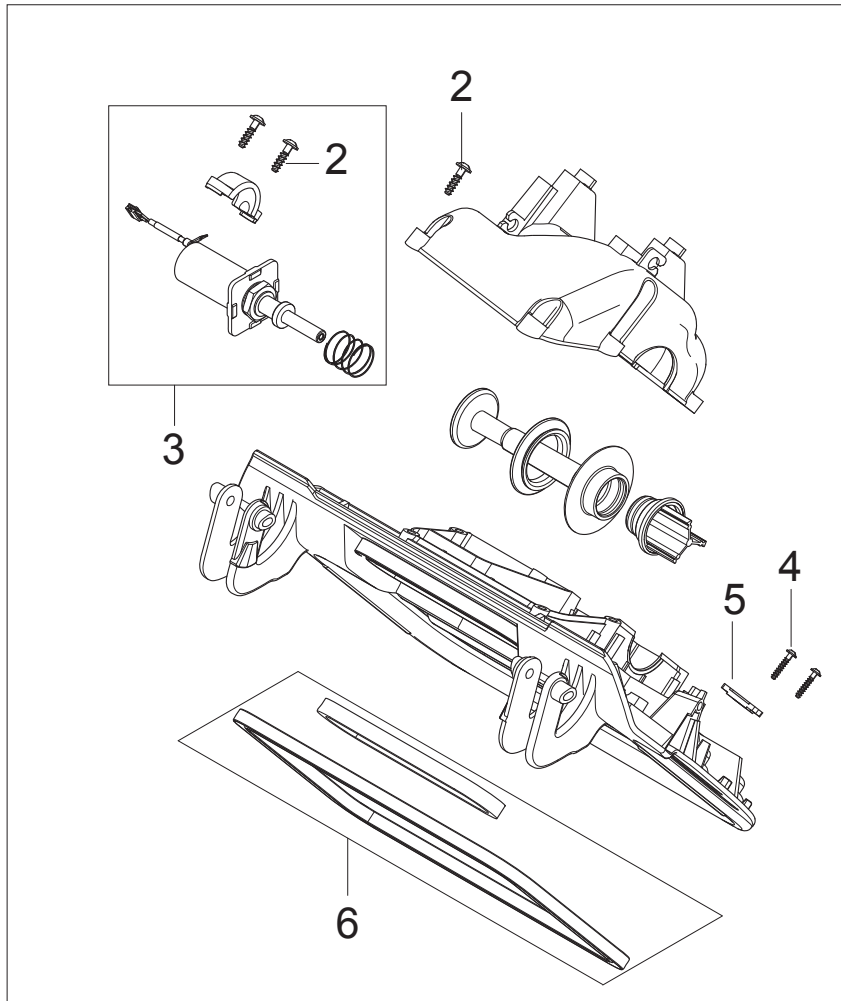
2016.10.03

TABLE OF CONTENTS

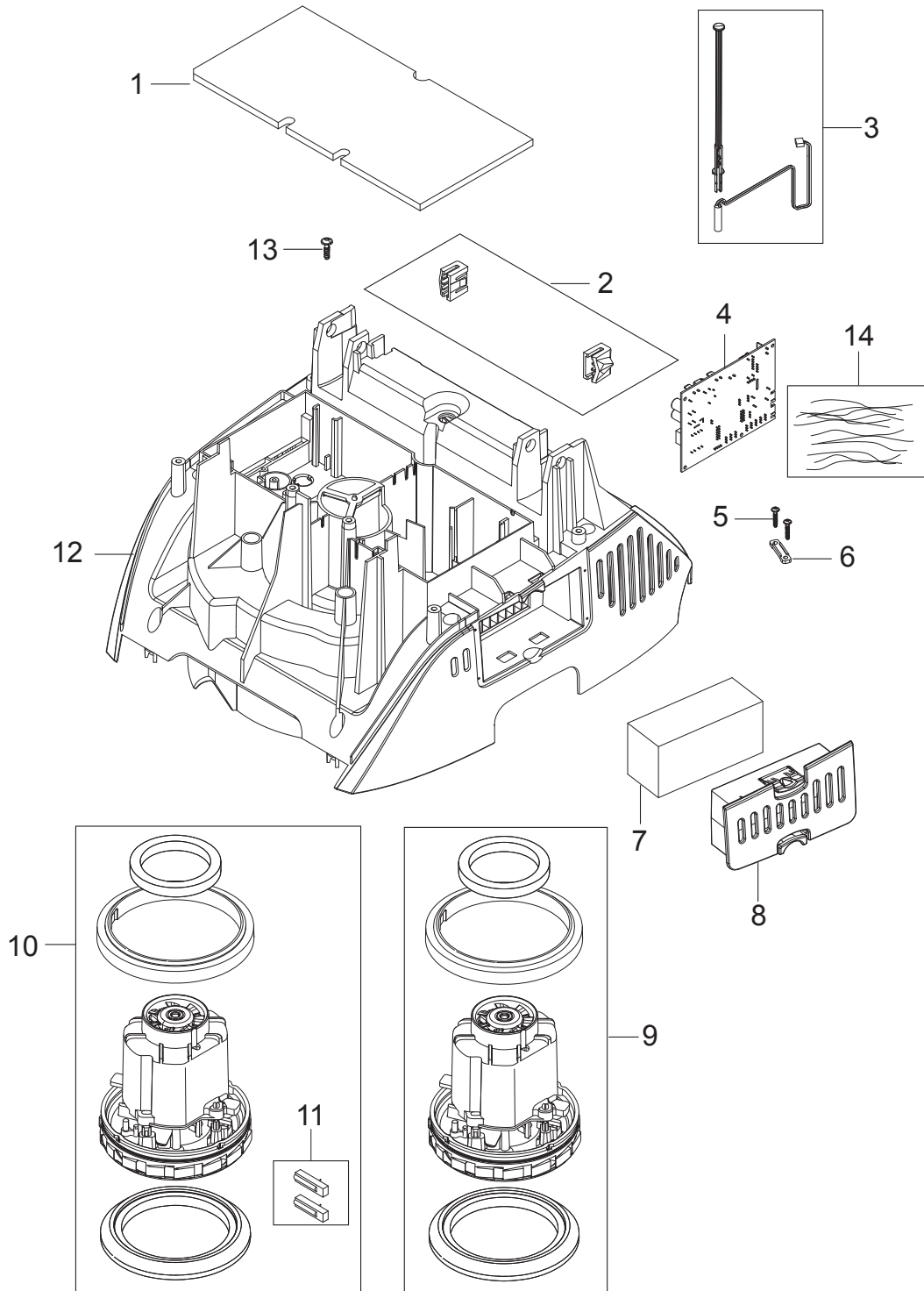
Cabinet and control panel 01 IC -21 IC - 2L IC	1
Filter system IC	3
Suction unit L	5
Base_M_L	7
Container 42L	9
Filter and bags	11
Hoses, tubes and nozzles	13
RECOMMENDED SPARE PARTS	15
Accessories 1	19



Pos.	Artikel-Nr.	Menge	Variante	Notes
1	909100204	1	Drehknopf 6x5 blau	
2	9868	1	O-Ring 10x2,5	
3	32526	1	Schraube BL- 2,9X19 B	
4	107413448	1	ROTARY SWITCH 2 POS 16A KIT	
5	107415046	1	CONTROL PANEL KIT -01 BLUE	
6	107415085	1	ROTARY SWITCH 5 POS 16A	
7	107415024	2	POTENTIOMETER W. WIRE	
8	107415080	1	CAP FOR POT-METER	
9	3004221	1	O-RING 16X2 NITRIL 70 SHORE	
10	107415062	1	TURNING KNOB D28 BLACK	
11	302004034	1	Steckdose	
11	302004036	1	Steckdose	
11	107400057	1	STECKDOSE 16A/110V GB	
11	302004336	1	Steckdose 2 polig 13A.	
11	302004338	1	SOCKET 15A/125V US/CSA	
11	107400059	1	Steckdose 10A/250V CH	
11	107400060	1	STECKDOSE 16A/250V DK	
12	107415044	1	CONTROL PANEL KIT -21/-2L IC BLUE	
13	107415038	1	HANDLE KIT BLACK	
14	128500203	3	Schraube K50x45 WN1451	
15	107415036	1	TOP COVER BLACK	
16	302004029	17	SCREW 5X18	
17	107415086	1	HATCH DOOR UPPER COVER, IC BLACK	
18	107415035	1	CORD STRAP KIT	
19	107415032	1	HATCH DOOR CLAMP KIT BLACK	
20	107415028	1	HATCHBACK LOWER COVER BLUE	
21	107415083	2	HOSE/CABLE HOOK BLACK 1 PCS.	
22	107415077	1	LABEL KIT FOR CONTROL PANEL 7 PCS.	



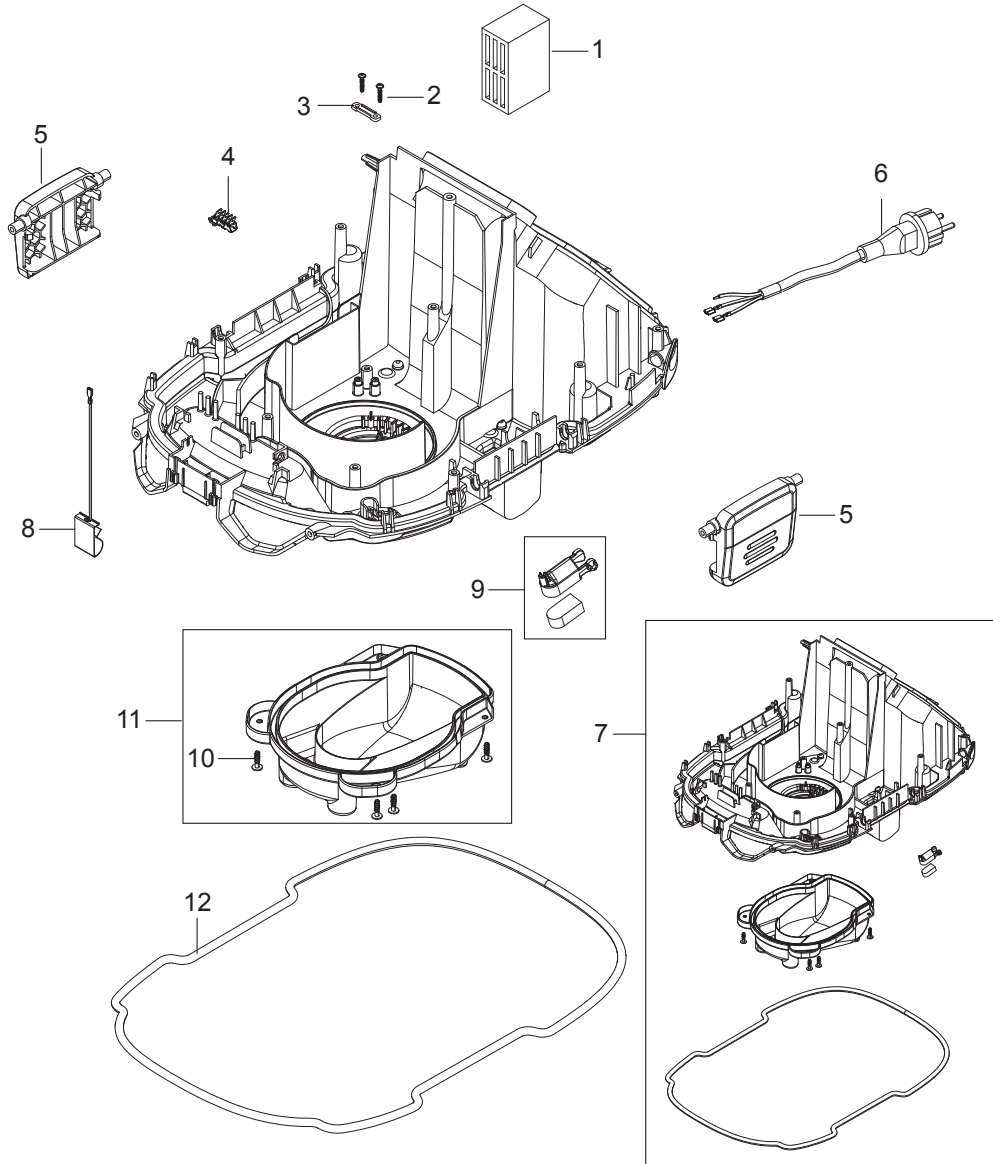
Pos.	Artikel-Nr.	Menge	Variante	Notes
1	107415027	1	HATCH DOOR FRAME WITH SEALING IC	
1	107417859	1	HATCH DOOR FRAME W. SEALING 100-120V IC	
2	302003704	15	SCHRAUBE PT50X18WN5451 EJOT DELAT	
3	107415031	1	SOLENOID KIT 220-240V	
3	107415079	1	SOLENOID KIT 100-120V	
4	302003705	2	Schraube Ejot Delta PT 35X18 WN 5451	
5	5697	1	Kabelschelle	
6	107415090	1	HATCH DOOR FILTER GASKET KIT	
7	107413540	1	FLAT FILTER PTFE M-CLASS 1 PCS	



Pos.	Artikel-Nr.	Menge	Variante	Notes
1	107417101	1	FOAM SEALING 298X148	
2	107415075	1	HATCH DOOR HINGE SNAP 2 PCS.	
3	107415060	1	REED SENSOR WITH APPLICATOR	
4	107415058	1	PCBA AFC 1M1S P2 220-240V	[1]
4	107415092	1	PCBA AFC 1M1S P2 100V	[2]
4	107415649	1	PCBA AFC 1M1S P2 110-120V	[3]
4	107415094	1	PCBA AUTO ON/OFF AFC 1M1S P2 220-240V	[4]
4	107415095	1	PCBA AUTO ON/OFF AFC 1M1S P2 110-120V	[5]
5	302004032	2	Schraube 3.5X18	
6	302004030	1	Lasche	
7	107415096	1	DIFFUSOR 55X115X45 BLACK	
8	107415097	1	COVER F. MOTORCOOLING FILTER BLUE	
9	107415055	1	MOTOR KIT 1200W 220-240V 50/60HZ	[6]
10	107415099	1	MOTOR KIT 1000W 110-120V 50/60HZ	[7]
11	107417399	1	CARBON BRUSH ASSY KIT 2 PCS 110-120V	[7]
12	107415048	1	AIRGUIDE BLUE	
13	302004029	9	SCREW 5X18	
14	107417863	1	WIRE/CAPACITOR KIT6	

Part Notes:

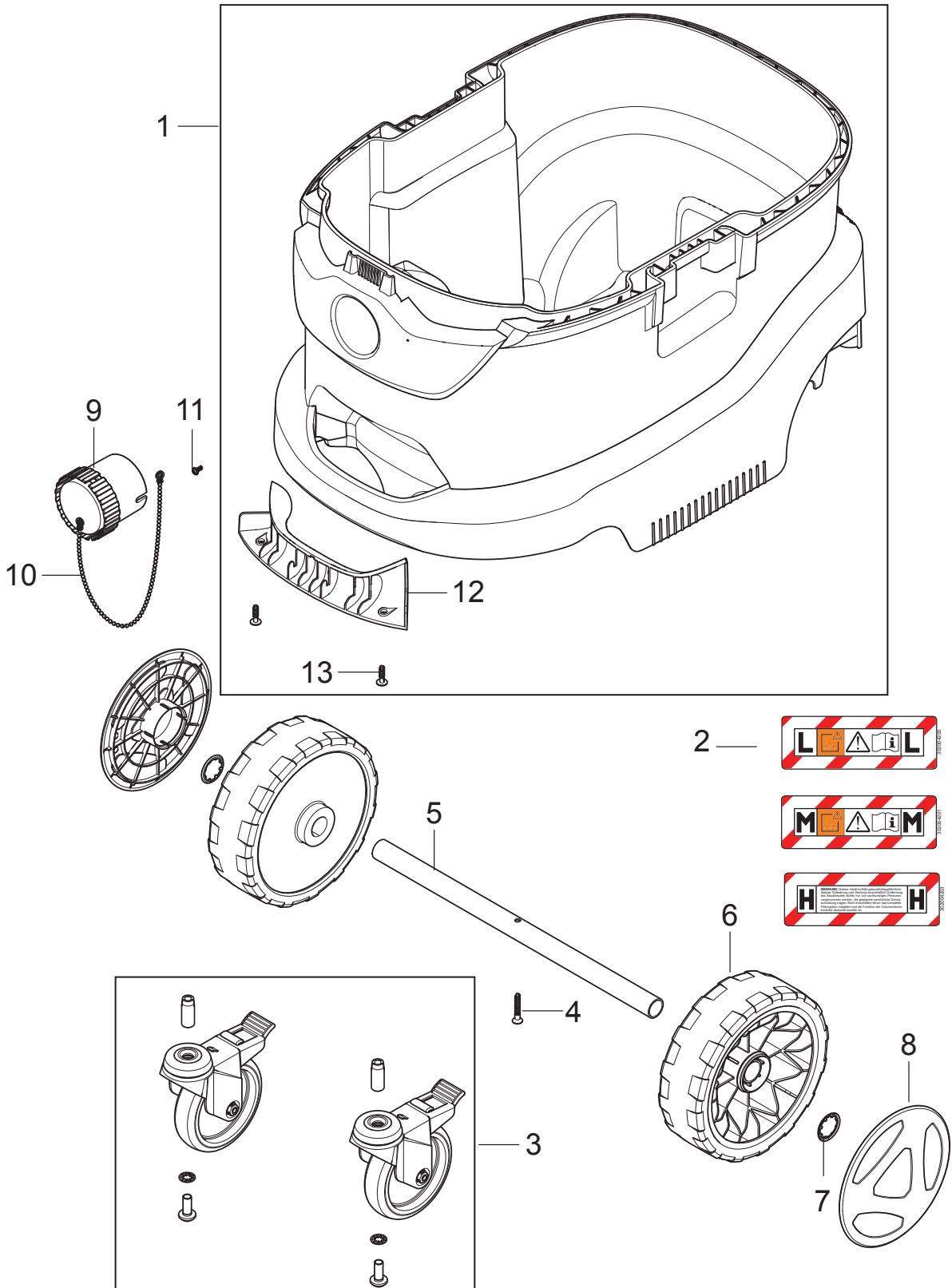
- [1] - 01 IC 220-240V 50/60HZ
- [2] - 01 IC 100V 50/60Hz
- [3] - 01 IC 110-120V 50-60Hz
- [4] - 21 IC 220-240V 50-60Hz
- [5] - 21 IC 110-120V 50-60Hz
- [6] - 220-240V 50/60HZ
- [7] - 110-120V 50/60HZ



Pos.	Artikel-Nr.	Menge	Variante	Notes
1	107417112	1	SOUND ABSORBER 83X55X35	
2	302004032	2	Schraube 3.5X18	
3	302004030	1	Lasche	
4	302004031	1	Steckverteiler	
5	107415053	2	CONTAINER CLAMP BLACK	
6	107400573	1	Anschlussleitung Europa	[1]
6	302001416	1	LTG Netz H07RN-F 3G1,5x8,	[2]
6	302000692	1	LTG Netz H07BQ-F3G1,5x8,	[3]
6	302004333	1	POWER CORD H05RR-F 3G1.5X8.4 AS3112 -AU	[4]
6	302000882	1	Netz-Ltg SJTW-AWG16/3X8	[5]
6	107400267	1	Anschlussleitung CH	[6]
6	107402642	1	Netzkabel	[7]
7	107415074	1	BASE PLATE ASSEMBLY KIT	
8	107417113	1	CONTACT SPRING W. WIRE	
9	107415063	1	FLOATER WITH MAGNET	
10	1814614	4	Schraube 5x18	
11	107415061	1	AIR FLOW COVER KIT BLACK	
12	107415050	1	CONTAINER SEALING	

Part Notes:

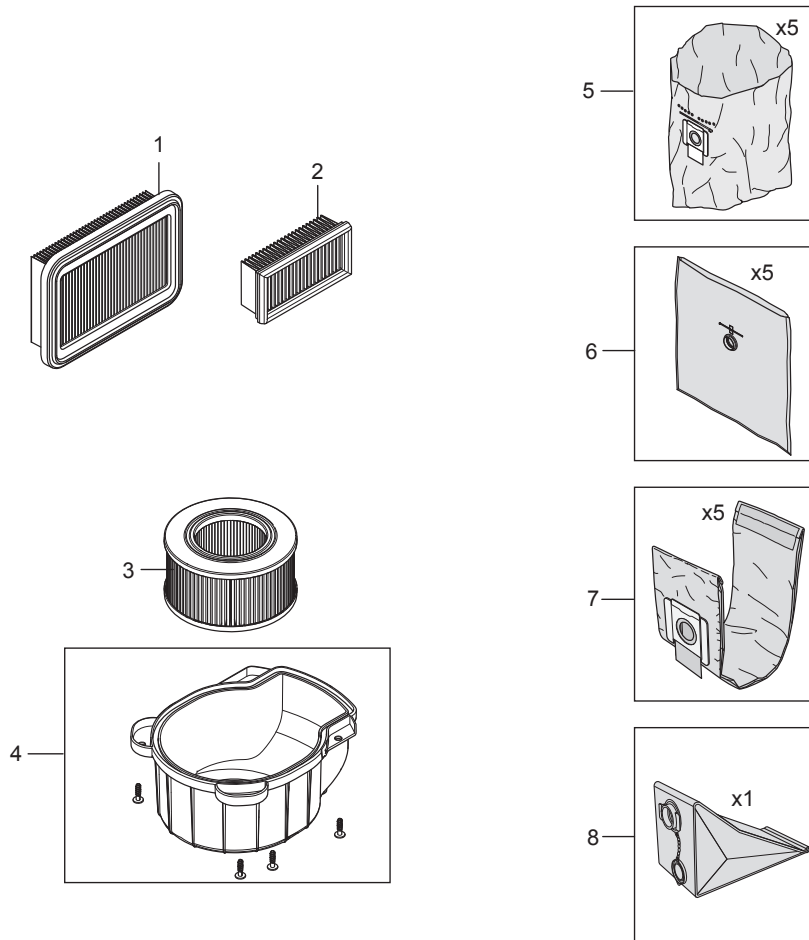
- [1] - 220-240V 50/60HZ EU
- [2] - GB 230V
- [3] - 110-120V 50/60HZ GB
- [4] - 220-240V 50/60HZ AU/NZ
- [5] - 120V 50/60HZ US
- [6] - 220-240V 50/60HZ CH
- [7] - 220-240V 50/60HZ DK, grounding



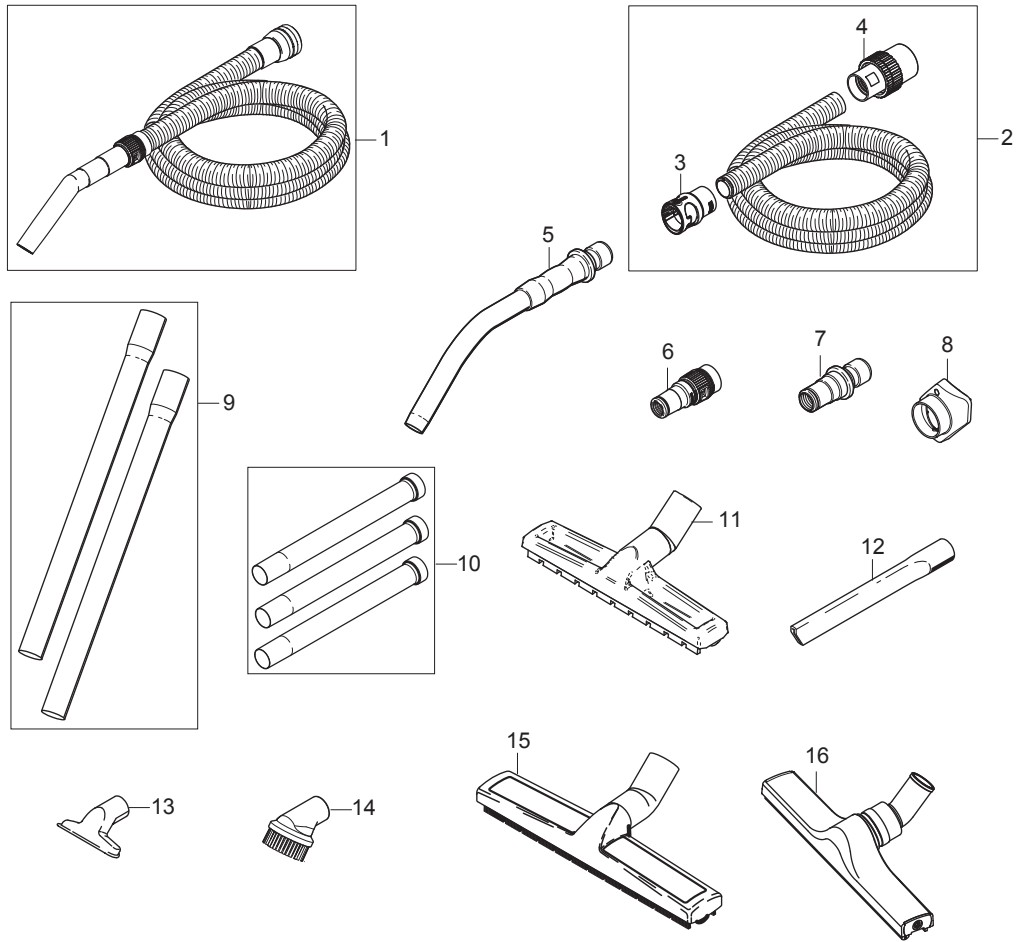
Pos.	Artikel-Nr.	Menge	Variante	Notes
1	107414073	1	CONTAINER 42L KIT NILFISK BLUE	
1	107417123	1	CONTAINER 42L KIT H-CLASS NILFISK BLUE	
2	107417119	1	LABEL DUSTCLASS L 130X44 PVC	
2	107401291	1	SP-Label	
2	107401548	1	Aufkleber Staubklasse H	
3	107417573	2	CASTOR WHEEL D100 WITH BRAKE 2 PCS	
4	107417864	1	SCREW WN1423 K50X35 BLACK TORX KIT	
5	302004022	1	Achse	
6	107417121	2	WHEEL D175 BLACK	
7	47302	2	Sich. Ring ¥ 28.6/ ¥20x	
8	107417122	2	WHEEL CAP D145 BLUE	
9	14775	1	Stopfen	[1]
10	30081	1	Kette für Blindstopfen	[1]
11	24738	1	Schraube 3.5 x 8	
12	107417124	1	HANDLE INNER FOR CONTAINER 42L BLACK	
13	302004029	2	SCREW 5X18	

Part Notes:

[1] - M and H Class



Pos.	Artikel-Nr.	Menge	Variante	Notes
1	107413540	1	FLAT FILTER PTFE M-CLASS 1 PCS	
2	107413541	1	MOTOR COOLING AIR FILTER PET 1 PCS	
3	107413555	1	FILTER ELEMENT Ø140X75 H-CLASS/HEPA	
4	107413542	1	HEPA FILTER COVER KIT	
5	107417821	1	DISPOSAL BAG ATTIX 33/44 5 PCS	
6	107413549	1	SAFETY FILTER BAG 5 PCS ATTIX 33/44	
7	107413547	1	FLEECE FILTER BAG 5 PCS ATTIX 33/44	
8	107413556	1	LONG LIFE FILTER BAG 1 PCS ATTIX 33/44	



Pos.	Artikel-Nr.	Menge	Variante	Notes
1	107409976	1	Universalsaugschlauch, Ø 32 mmx3,5 m	
2	107413543	1	HOSE Ø32X4000MM AS RED	
2	107413544	1	HOSE Ø36X4000 MM AS RED	
3	107417868	1	HOSE SLEEVE Ø38 AS QUICKSYSTEM	
3	107417867	1	HOSE SLEEVE Ø36 AS QUICKSYSTEM	
3	107417866	1	HOSE SLEEVE Ø32 AS QUICKSYSTEM	
4	30928	1	Muffe Schlauch, Ø 32 mm, antistatisch	
4	15812	1	Muffe Ø 36x50 mm, antistatisch	
5	46691	1	Handrohr gebog., Ø 36 mm, Edelstahl	
6	107409977	1	Werkzeugadapter, Ø 32 mm	
7	302000535	1	Werkzeugadapter, Quicksystem, Ø 27 mm	
8	107417865	1	EXHAUST AIR ADAPTER KIT	
9	302000529	1	Verlängerungsrohre Ø36x505 mm, VPE 2	
9	107408074	1	Verlängerungsrohr Ø 36x505 mm, VPE 2	
10	107416995	1	EXTENSION TUBE D36 3X350 MM SS	
11	302002331	1	Bodendüse m. Bürste, Ø 36x300 mm	
12	29541	1	FUGENDUESE D36X200	
13	14295	1	Universaldüse Ø 36x115 mm, Kunststoff	
14	302002509	1	Saugpinsel, rund, schwarz, Ø 36 mm	
15	60356	1	Profi-Bodendüse, Ø 36x360 mm	
16	302003666	1	Profi-Bodendüse D36 400mm	

RECOMMENDED SPARE PARTS

ATTIX 44 IC

2016.08.01

2016.08.31

Pos.	Artikel-Nr.	Menge	Variante	Notes
1	107413448	1	ROTARY SWITCH 2 POS 16A KIT	
2	107415085	1	ROTARY SWITCH 5 POS 16A	
3	107415076	1	ROTARY SWITCH 3 POS 16A	
4	107415024	1	POTENTIOMETER W. WIRE	
5	107415080	1	CAP FOR POT-METER	
6	302004034	1	Steckdose	
7	302004036	1	Steckdose	
8	107400057	1	STECKDOSE 16A/110V GB	
9	302004336	1	Steckdose 2 polig 13A.	
10	302004338	1	SOCKET 15A/125V US/CSA	
11	107400059	1	Steckdose 10A/250V CH	
12	107400060	1	STECKDOSE 16A/250V DK	
13	107415038	1	HANDLE KIT BLACK	
14	107415032	1	HATCH DOOR CLAMP KIT BLACK	
15	107415083	1	HOSE/CABLE HOOK BLACK 1 PCS.	
16	107415077	1	LABEL KIT FOR CONTROL PANEL 7 PCS.	
17	107415027	1	HATCH DOOR FRAME WITH SEALING IC	
18	107417859	1	HATCH DOOR FRAME W. SEALING 100-120V IC	
19	107415031	1	SOLENOID KIT 220-240V	
20	107415079	1	SOLENOID KIT 100-120V	
21	107415090	1	HATCH DOOR FILTER GASKET KIT	
22	107413540	1	FLAT FILTER PTFE M-CLASS 1 PCS	
23	107415075	1	HATCH DOOR HINGE SNAP 2 PCS.	
24	107415058	1	PCBA AFC 1M1S P2 220-240V	
25	107415092	1	PCBA AFC 1M1S P2 100V	
26	107415649	1	PCBA AFC 1M1S P2 110-120V	
27	107415094	1	PCBA AUTO ON/OFF AFC 1M1S P2 220-240V	
28	107415095	1	PCBA AUTO ON/OFF AFC 1M1S P2 110-120V	
29	107415059	1	PCBA AUTO ON/OFF M 1M1S P3 220-240V	
30	107417102	1	PCBA AUTO ON/OFF M 1M1S P3 110-120V	
31	107417103	1	PCBA AUTO ON/OFF AFC M 1M1S P3 220-240V	
32	107417104	1	PCBA AUTO ON/OFF AFC M 1M1S P3 110-120V	
33	107417105	1	PCBA AUTO ON/OFF H 1M1S P3 220-240V	
34	107417106	1	PCBA AUTO ON/OFF AFC H 1M1S P3 220-240V	
36	107416958	1	BUZZER KIT1	
37	107417111	1	PRESSURE SENSOR KIT	
38	107417863	1	WIRE/CAPACITOR KIT6	
39	107415055	1	MOTOR KIT 1200W 220-240V 50/60HZ	
41	107415099	1	MOTOR KIT 1000W 110-120V 50/60HZ	
42	107417399	1	CARBON BRUSH ASSY KIT 2 PCS 110-120V	[1]
43	107415053	1	CONTAINER CLAMP BLACK	
44	107400573	1	Anschlussleitung Europa	
45	302000692	1	LTG Netz H07BQ-F3G1,5x8,	
46	302004333	1	POWER CORD H05RR-F 3G1.5X8.4 AS3112 -AU	
47	302000882	1	Netz-Ltg SJTW-AWG16/3X8	
48	107400267	1	Anschlussleitung CH	
49	107402642	1	Netzkabel	
50	107417418	1	POWER CORD KIT VCTF 1.25MM 3C JP PSE	
51	107415063	1	FLOATER WITH MAGNET	
52	107415061	1	AIR FLOW COVER KIT BLACK	
53	107413542	1	HEPA FILTER COVER KIT	
54	107413555	1	FILTER ELEMENT Ø140X75 H-CLASS/HEPA	
55	107415050	1	CONTAINER SEALING	
56	107417120	1	CASTOR WHEEL D75 WITH BRAKE 2 PCS.	
57	107417573	1	CASTOR WHEEL D100 WITH BRAKE 2 PCS	
58	107417121	1	WHEEL D175 BLACK	

RECOMMENDED SPARE PARTS

ATTIX 44 IC

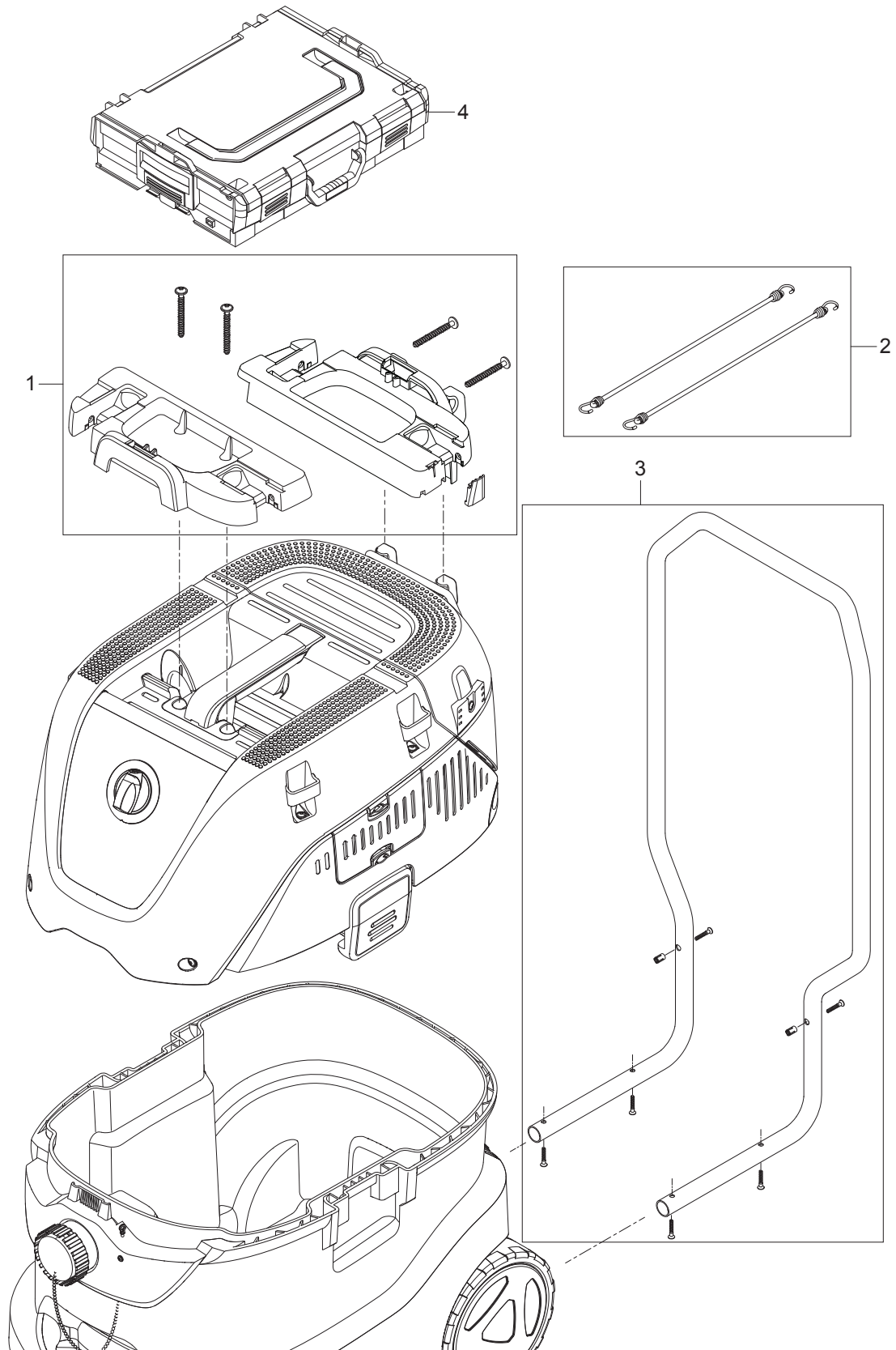
2016.08.01

2016.08.31

Part Notes:

[1] - 110-120V 50/60HZ

Comments:



Pos.	Artikel-Nr.	Menge	Variante	Notes
1	107413551	1	Adapterplatte Kit	
2	107413553	1	FLEXIBLE STRAP SET 2 PCS	
3	107413552	1	TROLLEY HANDLE KIT	
4	107413554	1	STORAGE L-BOXX KIT W. DUSTBAGS	

