

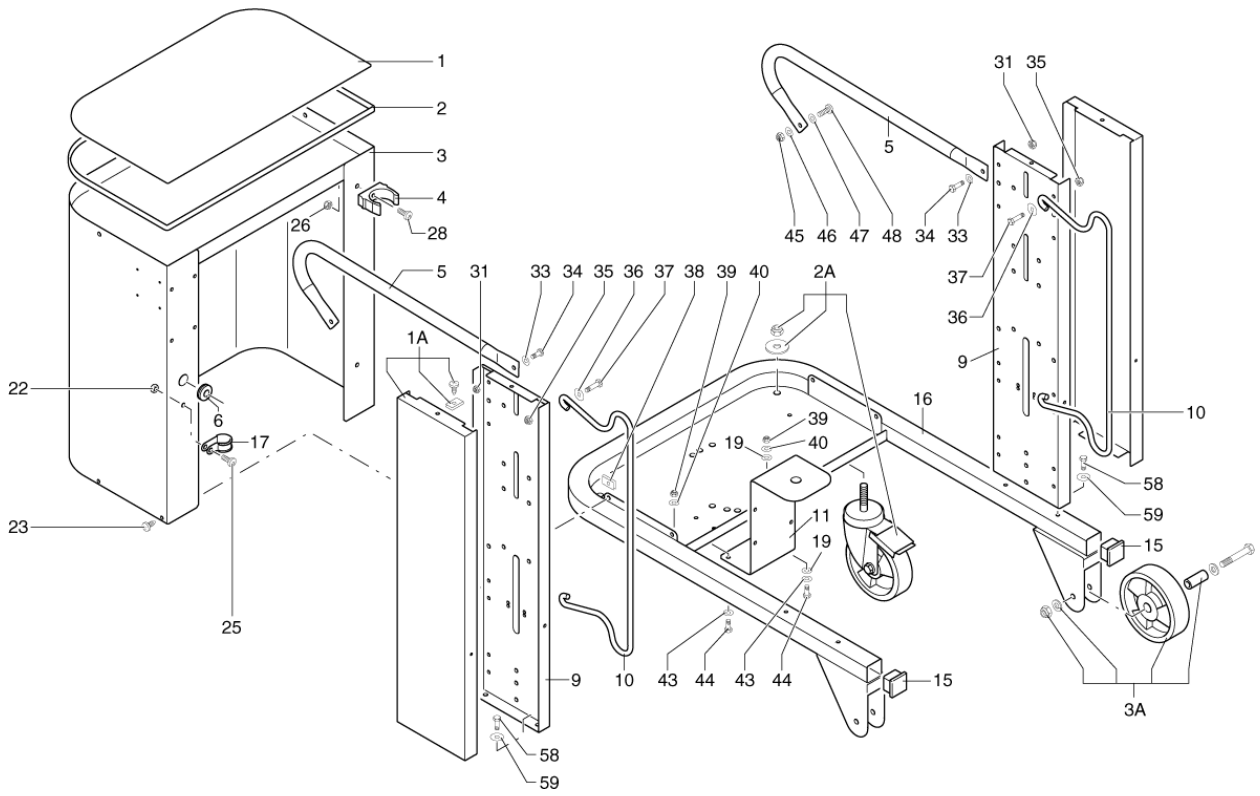
PARTS LIST



2023.10.16

TABLE OF CONTENTS

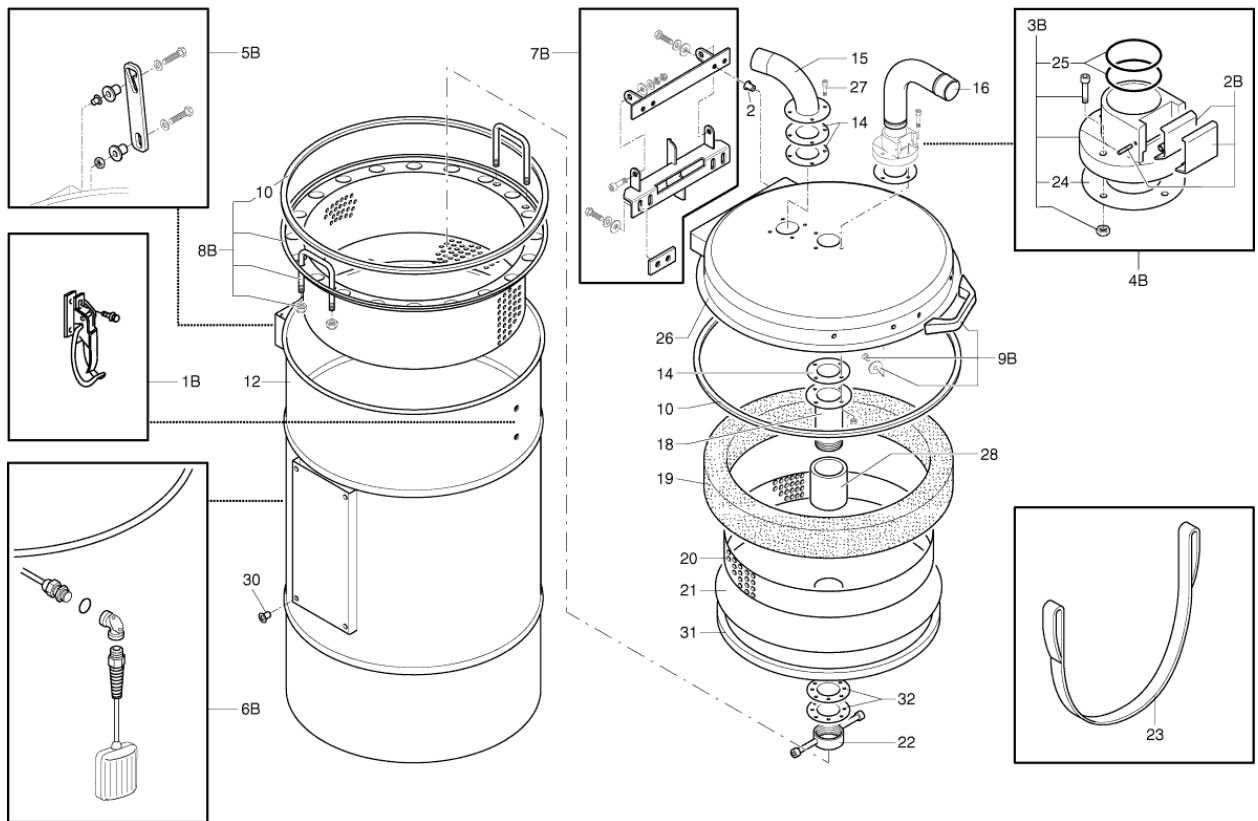
L124 - 1 - FRAME.....	1
L124 - 2 - CONTAINER UNIT.....	3
L124 - 3 - LIQUID DISCHARGING SYSTEM.....	5
L124 - 4 - SUCTION UNIT.....	7
L124 - 5 - ELECTRIC BOARD.....	9



Pos.	Artikel-Nr.	Menge	Variante	Notes
01	Z8 17716	1	PLUG FOR TANK MOD. SOL	
01A	40000540	2	SIDE PANEL KIT	
02	40000763	1	Dichtung	
02A	40000671	1	Feststellrad-Satz	
03	4083500208	1	CLOSING CARTER NEW M. ECO-OIL	[1]
03A	40000672	1	FIX CASTOR KIT DIAM. 150	
04	Z8 40392	1	Befestigungsring	
05	Z8 18938	2	Griff	
06	Z8 39040	1	PLATE PASS D22	[2]
09	Z8 18506	2	Upright MOD.137	[2]
10	Z8 25094	2	HOSE SUPPORT ECO-OIL	
11	Z8 16376	1	PUMP SUPPORT	
15	Z8 40035	2	Endstück PVC D 40 x 40 m	
16	Z8 36358	1	TROLLEY MOD. SOL	
17	Z8 39981	2	FAIRLEAD RUBBERISED D16	[2]
19		2	Washer D.6 DIN 6798A	[3]
22		1	Nut M.8 UNI 7474 DIN 985	[4]
23		4	Screw D.6,3x16 UNI 6954 DIN 7981	[5]
25		1	Screw M8x16 UNI 5931 DIN 912	[6]
26		1	Nut M6 UNI 7474 DIN 985	[7]
28		1	Screw M6x16 UNI 7687 DIN 7985	[8]
31		2	Nut M6 UNI 7474 DIN 985	[7]
33		2	Washer D.6x18 UNI 6593 DIN 9021	[9]
34		2	Screw M6x20 UNI 5739 DIN 933	[10]
35		4	Nut M6 UNI 7474 DIN 985	[7]
36		4	Washer D.8x32 UNI 6593 DIN 9021	[11]
37		4	Screw M6x25 UNI 5739 DIN 933	[12]
38	Z8 40037	4	FASTENER FOR SELF-THREADING.D6	
39		4	Nut M6 UNI 7474 DIN 985	[7]
40		4	Washer D.6x18 UNI 6593 DIN 9021	[9]
43		4	Washer D.6x18 UNI 6593 DIN 9021	[9]
44		4	Screw M6x20 UNI 5739 DIN 933	[10]
45		2	Nut M6 UNI 5721 DIN 1587	[13]
46		2	Washer D.6x18 UNI 6593 DIN 9021	[9]
47		2	Washer D.6x18 UNI 6593 DIN 9021	[9]
48		2	Screw M6x20 UNI 7687 DIN 7985	[14]
58		4	Screw M6x16 UNI 5739 DIN 933	[15]
59		4	Washer D.8 UNI 6592 DIN 433	[16]
NS	4083500209		Frontplatte	

Part Notes:

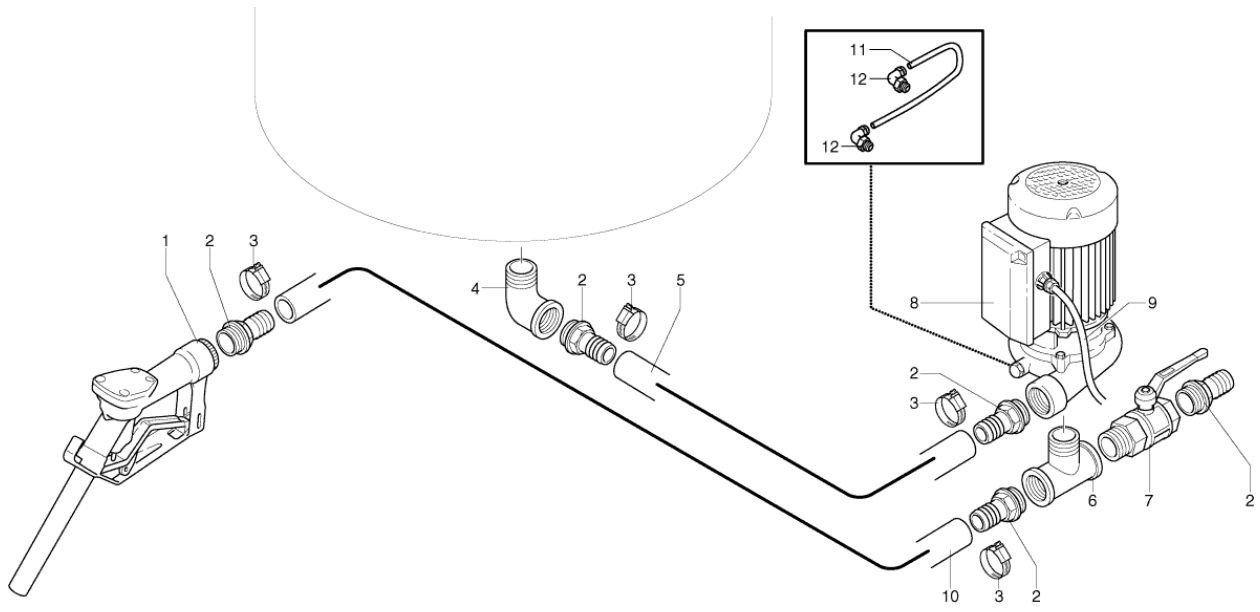
- [1] - NO MORE AVAILABLE
- [2] - CONTACT PM IN ZOCCA
- [3] - Washer D.6 DIN 6798A
- [4] - Nut M.8 UNI 7474 DIN 985
- [5] - Screw D.6,3x16 UNI 6954 DIN 7981
- [6] - Screw M8x16 UNI 5931 DIN 912
- [7] - Nut M6 UNI 7474 DIN 985
- [8] - Screw M6x16 UNI 7687 DIN 7985
- [9] - Washer D.6x18 UNI 6593 DIN 9021
- [10] - Screw M6x20 UNI 5739 DIN 933
- [11] - Washer D.8x32 UNI 6593 DIN 9021
- [12] - Screw M6x25 UNI 5739 DIN 933
- [13] - Nut M6 UNI 5721 DIN 1587
- [14] - Screw M6x20 UNI 7687 DIN 7985
- [15] - Screw M6x16 UNI 5739 DIN 933
- [16] - Washer D.8 UNI 6592 DIN 433



Pos.	Artikel-Nr.	Menge	Variante	Notes
01B	40000674	1	Verschlußkit	
02	Z8 38059	4	HEAD RIVER M6	[1]
02B	40000320	1	Arretierung f. Kessel-	
03B	40000678	1	FLAT INLET KIT D. 50	
04B	40000679	1	COMPLETE FLAT INLET KIT D50	
05B	40000675	1	Halterung zu Ecooil 13	
06B	40000790	1	Füllstandsmesser	
07B	40000677	1	Scharnier zu Ecooil 13	
08B	40000676	1	Spänekorb	
09B	40000423	1	Griffkit	
10	Z8 17789	2	Dichtung zu Ecooil 13	
12	Z8 30326	1	Container Eisen lackiertD560x1025 Eco Oi	[2]
14	Z8 17005	3	Anschlussdichtung D50	
15	Z8 32005	1	Deckelanschluß FE	
16	ZS58F132137	1	Geräteanschlussstück D50 9	
18	Z8 40858	1	Filterbefestigung	
19	Z8 17745	1	Filter in Polyurethan 20P	
20	Z8 15190	1	Abstandhalter f. Filter	
21	Z8 14643	1	Filterscheibe	
22	Z8 14617	1	Gewinding	
23	Z8 40880	1	Haltegurt	
24	Z8 17005	1	Anschlussdichtung D50	
25	Z8 40720	2	Dichtung	
26	Z8 31678	1	Gehäusedeckel	[2]
27		4	Screw M5x16 UNI 5931 DIN 912	[3]
28	Z8 14644	1	SPACER D70 KIT ECOIL13-22	
30	Z8 38037	8	THREADED INSERT M8	[1]
31	40000782	1	Dichtung	
32	Z8 17542	2	JOINT FOR MOTOR SAP 300-380	
NS	4083901307		Bogen PG11	
NS	Z8 391239		Kabelverschraubung PG11	

Part Notes:

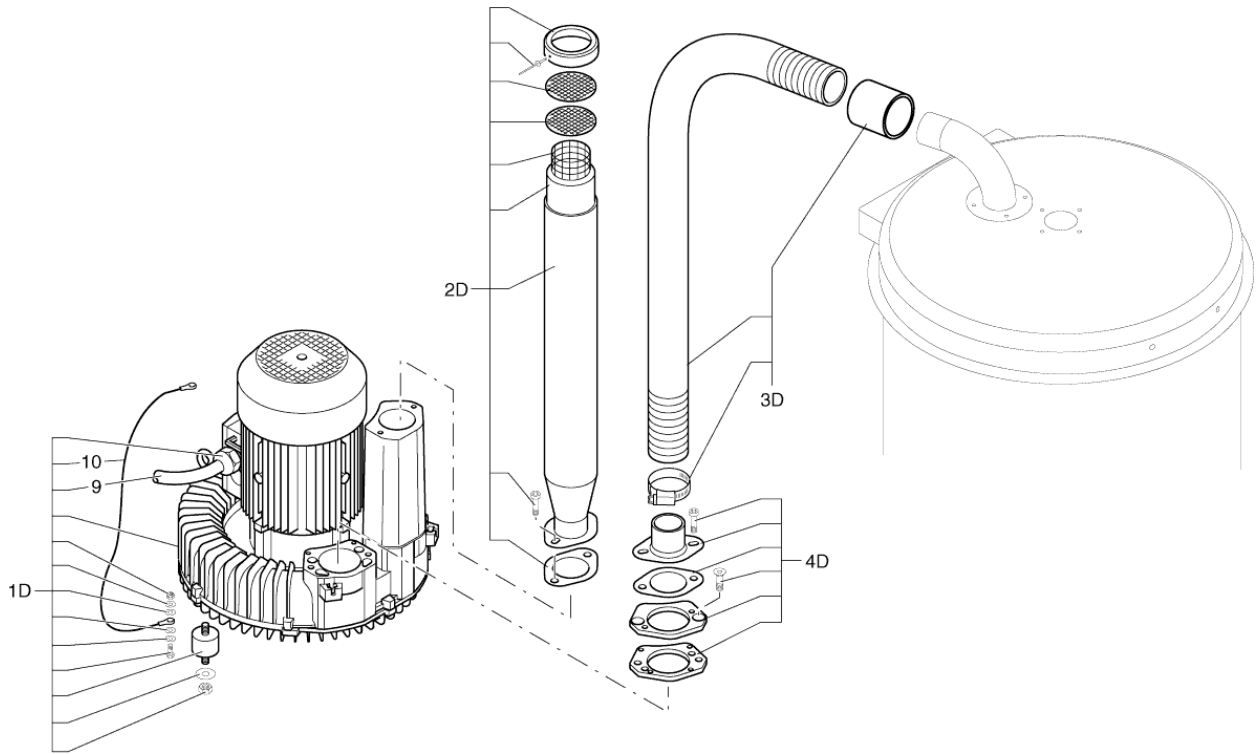
- [1] - CONTACT PM IN ZOCCA
 [2] - DE TSB-IVS-2018-049 ECO-OIL VHO200 Lackierung löst sich
 [3] - Screw M5x16 UNI 5931 DIN 912



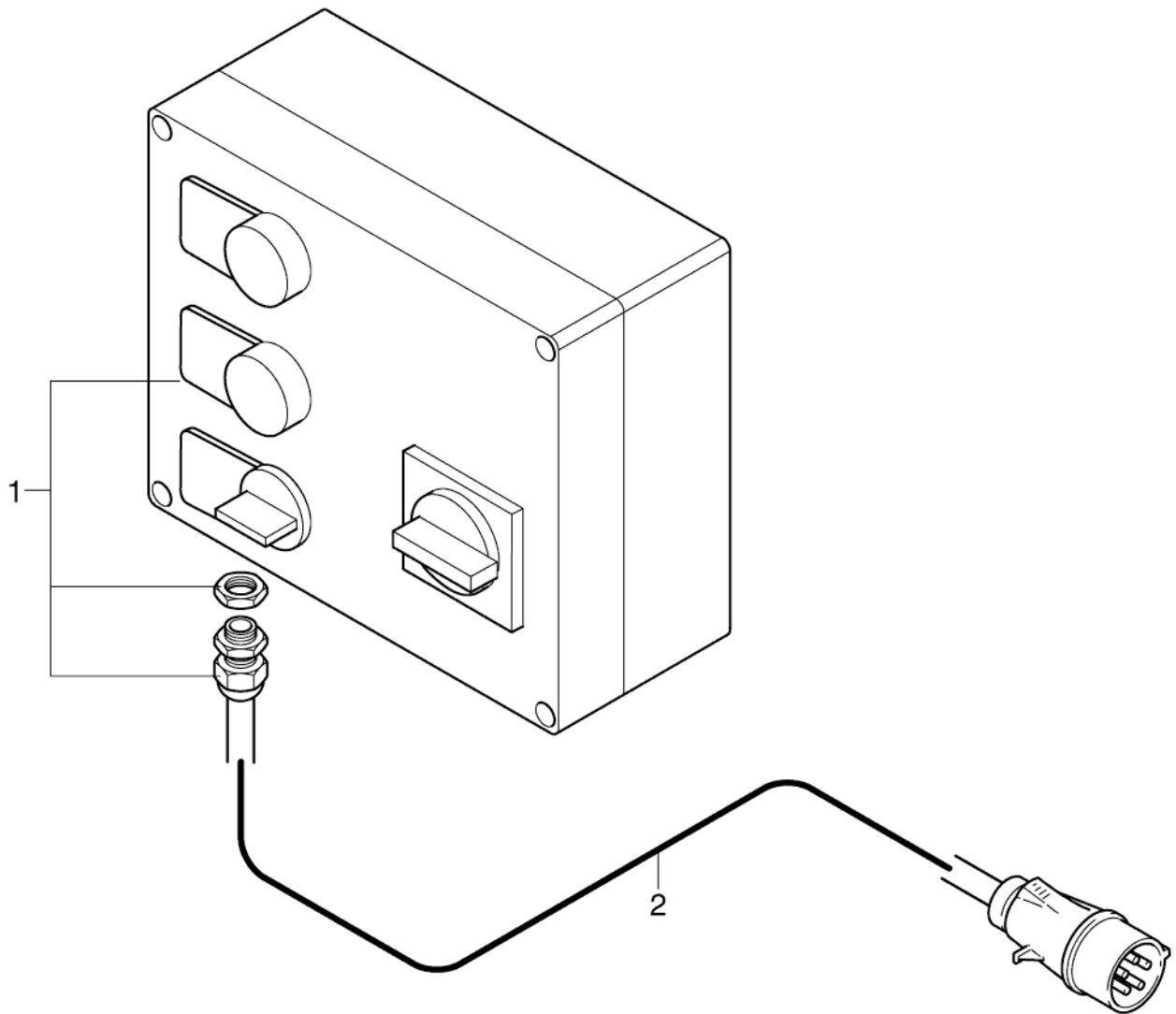
Pos.	Artikel-Nr.	Menge	Variante	Notes
01	Z8 40252	1	Zapfpistole Mod. OIL 440	
02	Z8 40256	5	Schlauchanschluss mit Aus	
03	Z8 40054	4	Schelle INOX 25-38	
04	Z8 40719	1	Winkelstück	
05	40000783	1	Transparenschlauch D25	
06	Z8 40863	1	FITTING T 1 M/F/F	
07	Z8 40222	1	BALLCOCK 1 MF	
08	Z8 56024	1	Pumpe für Modell cfm-Oil	
09	Z8 391203	1	CABLE CONN.PUMP 4G1 NE.MOD.ECOIL22	[1]
10	40000784	1	Transparenschlauch DN 25	
11	40000785	1	POLYURETANE HOSE 8X5.5 BLUE	
12	Z8 40743	2	Anschlussstück gebogen,	

Part Notes:

[1] - CONTACT PM IN ZOCCA



Pos.	Artikel-Nr.	Menge	Variante	Notes
9	8 391079	1	cavo	
10	8 39668	1	EARTH CABLE; 500MMcavo	
1D	40000696	1	Saugeinheit komplettkit soffiante	
2D	40000381	1	KIT MUFFLER D80kit silenziatore	
3D	40000680	1	Schlauchkit zu Ecooil 13kit tubo aspirazione	
4D	40000697	1	Anschlussstutzenkit raccordo aspirazione	



Pos.	Artikel-Nr.	Menge	Variante	Notes
01	4084100946	1	Elektrische Steuerung	
02	Z8 39937	1	Anschlußkabel f. ECO OIL2	

