

PARTS LIST



Hotline: 08337 - 75301

Moltkestraße 13 | 89281 Albstadt-Illereichen
Tel.: 0 83 37 / 75 301 | Fax 0 83 37 / 75 303
info@wap-nilfisk-alto-shop.de

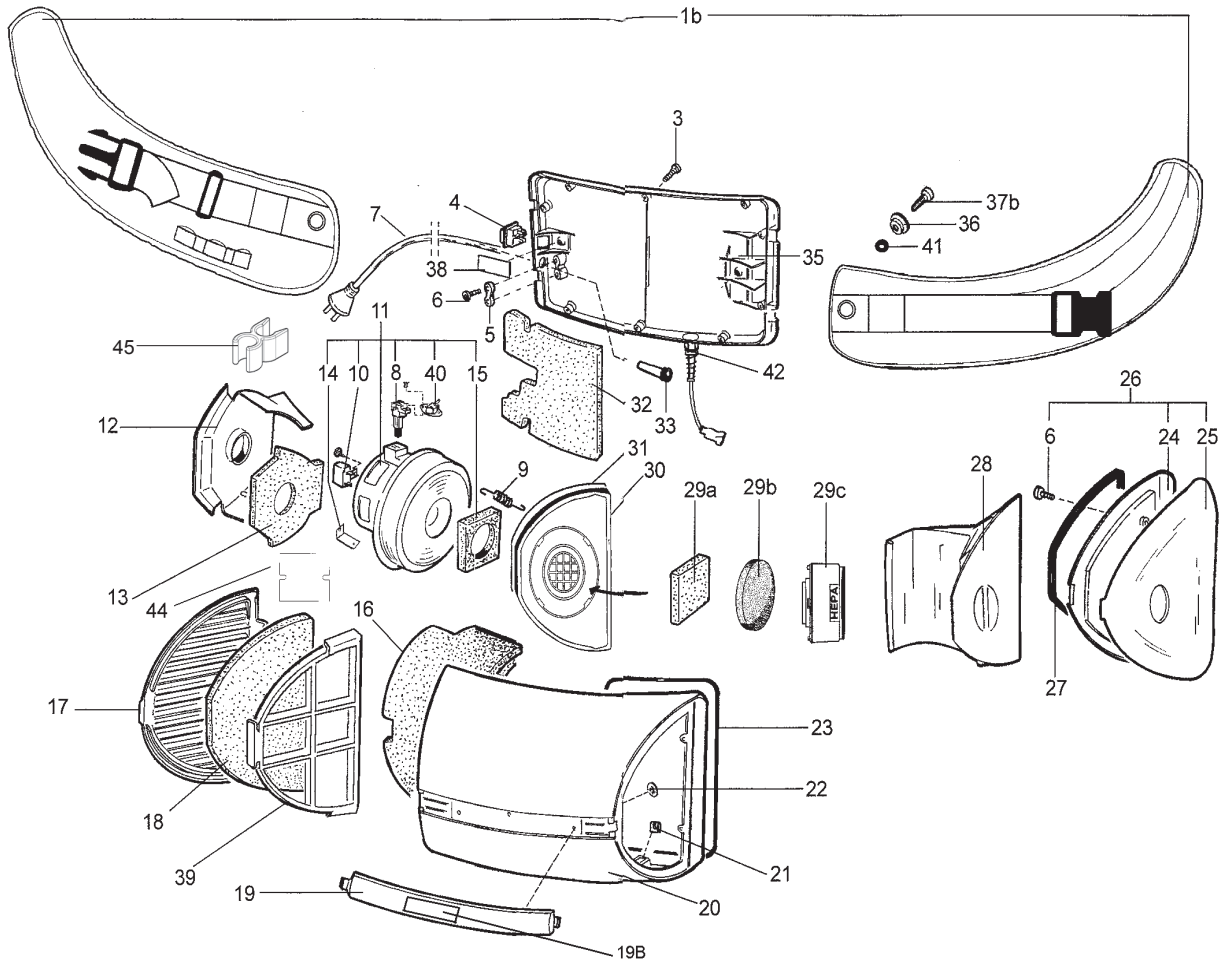
www.wap-nilfisk-alto-shop.de



2017.09.18

TABLE OF CONTENTS

Alle Teile	1
Fan units, cord	4
Nozzles and hose	6
RECOMMENDED SPARE PARTS	8

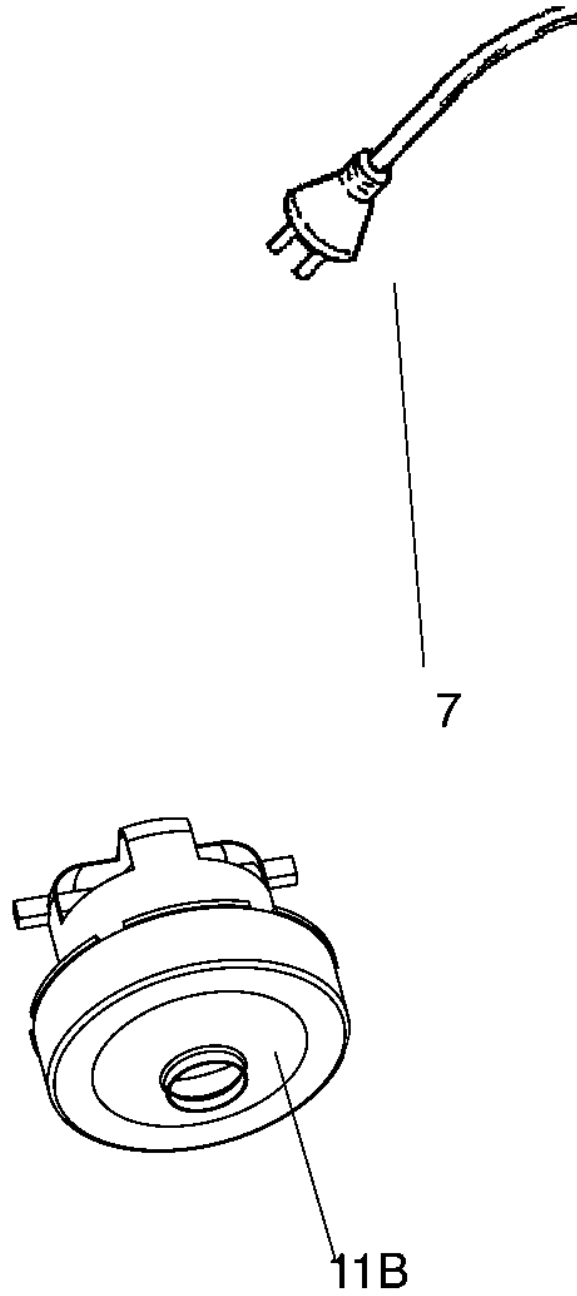


Pos.	Artikel-Nr.	Menge	Variante	Notes
1B	140 7343 000	1	Gürtel kompl. zu UZ 964	
2	140 7074 000	1	Gürtelschnalle kompl.964	
3	140 9214 150	10	Schraube zu WD 245	
4	140 5496 510	1	Kippschalter Backu UZ 964	
5	140 6560 500	1	ANTI STRAIN CLIP	
5	056 1014 060	1	Trippler/Anti-Strain Clip	[1]
6	140 9214 040	4	Schraube 40x14	
7		1	See fan units and cords	[2]
8	142 0947 020	2	Kohlebürste f. UZ 964	[3]
8	142 0947 000	2	Kohle UZ 964	[3]
8	142 0947 010	2	CARBON BRUSH FOR 115-120V	[3]
8	140 9885 000	2	CARBON BRUSH UZ 964 400Hz	[4]
9	140 6792 000	4	Feder	
10	140 8166 010	1	Kondensator GD 930	
10	140 6916 000	1	SUPPRESSOR	[5]
11		1	Fan unit	[2]
12	140 6633 000	1	Schalldämpfer 964	
12	140 6633 010	1	SILENCER UL-APPROVED	
13	140 6558 000	1	Dämmung f. Servac	
14	140 4325 010	1	HOLDER F. EARTH CONNECTION	[6]
15	140 6791 000	1	GASKET	
16	140 6556 000	1	Schalldämpfer zu UZ 964	
17	140 6448 030	1	Luftaustritt grau UZ964	
17	140 6448 040	1	EXHAUST GABLE ALTOBLUE	
18	140 6597 500	1	Abluftfilter, VPE 3	
19	140 6426 030	1	COVER STRIP GREY	
19B	140 7769 000	1	Aufkleber Nilfisk UZ964	
19B	140 7768 000	1	DEKAL EUROCLEAN UZ 964 BYN-A.	
20	140 6443 040	1	Gehäuse f. UZ 964/Servac	
20	140 6443 050	1	COVER GREY UL-APPROVED	
20	140 6443 060	1	COVER ALTOBLUE UL-APPR.	
21	140 6796 000	6	C-Clip	
22	140 6797 000	3	Mutter	
23	140 6798 000	1	Dichtung 964	
24	140 6446 000	1	INNER SUCT.GABLE BLUE UL-APPR.	[7]
24	140 6446 030	1	Innenteil Absaugung Grau	
24	140 6446 040	1	INNER SUCTION GABLE ALTOBLUE	
25	140 6447 000	1	OUTER SUCT.GABLE BLUE UL-APPR.	[7]
25	140 6447 030	1	Äuß.Saugstirnwand_ grau	
25	140 6447 040	1	OUTER SUCTION GABLE	
26	140 6699 000	1	Saugstirnwand kompl. blau	[8]
26	140 6699 030	1	Saugstirnwand grau UZ 964	
26	140 6699 040	1	SUCTION GABLE CPL. ALTOBLUE	
27	140 7302 000	1	O-Ring UZ 964	
28	140 6554 010	1	Staubbeutel, VPE 5	
28	140 6554 020	1	Staubbeutel, VPE 10	
28	140 6554 050	1	Papiertüte 10er Pack	[9]
29	140 5666 000	1	GASKET	
29B	140 6794 010	1	Vorfilter Motorschutz, rund	
29C	140 7160 010	1	HEPA-Filter	
30	140 7148 000	1	Schalldämpfer	
30	140 7148 010	1	PARTITION WALL UL APPROVED	
31	140 6799 000	1	GASKET	
32	140 6557 000	1	Isolierung f. UZ 964	
33	093 1027 010	1	Kabelschutz	
33	140 7035 500	1	Kabelführung-Kit	
33	140 7035 510	1	PROTECTION SLEEVE US KIT	
35	140 6444 040	1	BACK PART BLUE UL-APPR.W.HOLE	[10]
35	140 6906 020	1	BACK PART CPL BLUE UL-APPROVED	

Pos.	Artikel-Nr.	Menge	Variante	Notes
35	140 6906 030	1	Rückenteil kpl. f. UZ 964	
35	140 6906 040	1	BACK PART CPL GREY UL-APPR. N	
36	140 7696 000	2	WASHER	
37A	140 6559 000	2	SCREW FOR BELT 140 7096-000	[10]
37B	140 6559 010	2	SCREW FOR BELT 140 7343-000	
38	140 5358 000	1	INSULATION	
39	140 6824 000	1	Ablufffilterhalter 964	
40	140 3894 500	1	Thermoschalter GD 930	
42	140 5674 010	1	CONNECT.W.SLEEVE ONLY 905 2419	[11]
44	140 7691 000	1	INSULAT.PLATE 110V AIRPL.MODEL	
45	147 0808 500	1	Kabel-Clip Set	
NI	140 5507 010	1	CARTON W. PRINT UZ964 N-A.	[12]

Part Notes:

- [1] - Machine outphased 2005
- [2] - See Fan units, cord
- [3] - not for Ametek motors - see TSB SE-2003-05
GUARANTEE DATE EXPIRED
- [4] - PRUNED
- [5] - for old type of fan unit
GUARANTEE DATE EXPIRED
- [6] - PRODUCTION ONLY
- [7] - ALTERNATIVE ITEM 140 6699 000
- [8] - STOCK COVERS GUARANTEE
Machine version outphased 2006
- [9] - NO REPLACEMENT
- [10] - STOCK COVERS GUARANTEE
- [11] - GUARANTEE DATE EXPIRED
- [12] - BOX FOR RE-PACK



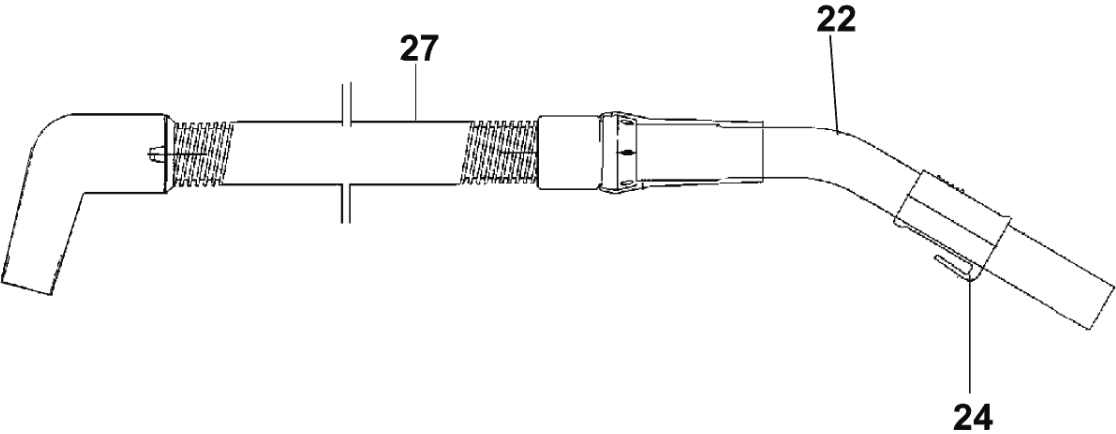
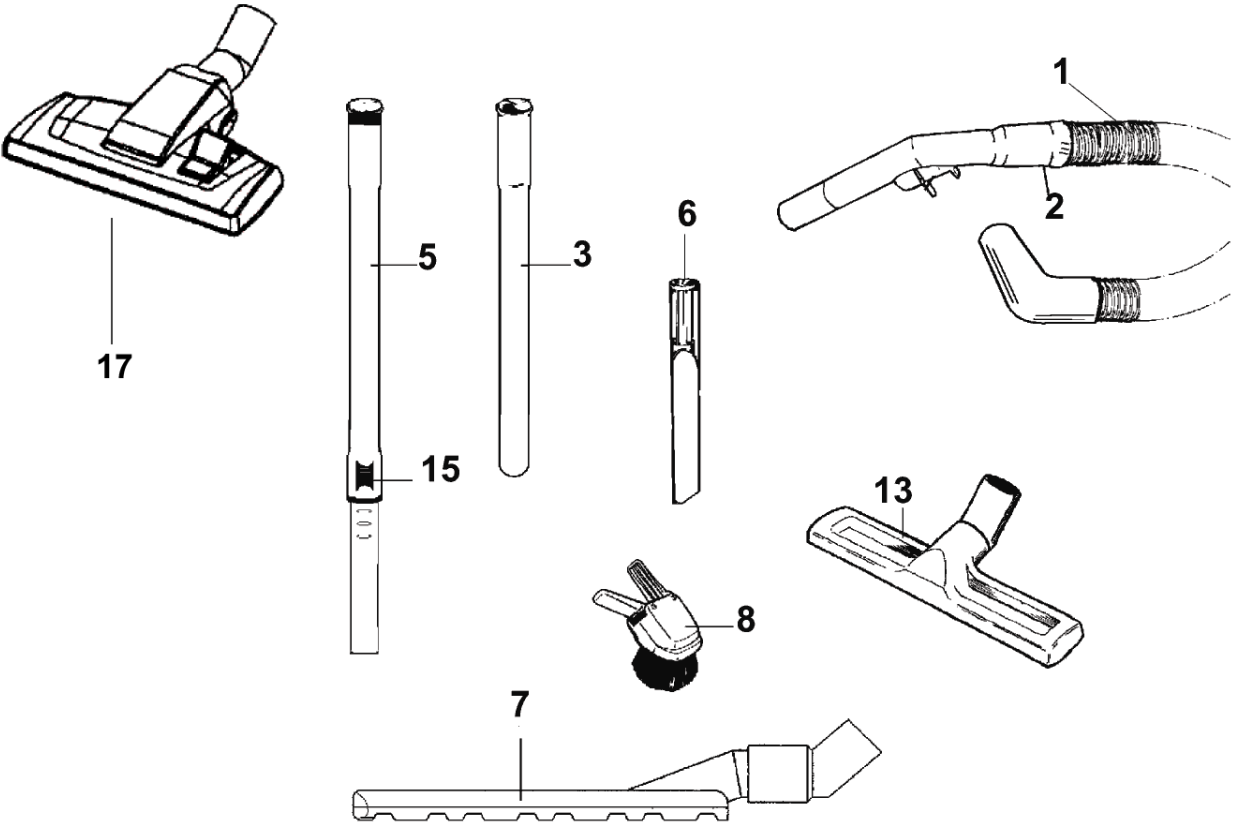
Resource notes:

NOTES: NEW FAN UNIT FOR UZ 964. In order to make the replacement from old type of fan unit into new fan, as easy as possible, the fan units are to be delivered as a spare part kit, with silencer, wires and instruction. For more information see also TSB SE 2001-008 Pos.No.: 11 - will be depleted when no longer on stock TSB SE 2001-008. New fan unit

Pos.	Artikel-Nr.	Menge	Variante	Notes
00	140 6894 000	1	RECTIFIER	[1]
7	140 6423 500	1	Netzkabel 15 m, schwarz	
7	140 6423 530	1	CORD UK L 15M	
7	140 3859 630	1	CORD SET KIT UZ964 US/TW	
7	140 3608 700	1	Netzkabel UZ 964 US/TW Aeroplane	
7	140 6423 570	1	CORD JP L 15M	
7	107401390	1	CORD SET CN 15.5M - KIT	[2]
7	140 6676 520	1	CORD CPL. L 15M AU/NZ KIT	
7	140 6423 520	1	CORD KIT CH L 15M	[3]
7	140 3608 080	1	CORD SET TW 2C 15.5M YELLOW	
7	140 6702 500	1	Netzleitung JP 15,5m	
7	140 3859 500	1	CORD SET US	
11B	147 1120 540	1	FAN UNIT KIT 1000W 120V	[4]
11B	147 1134 500	1	FAN UNIT KIT 400HZ	[5]
11B	147 1120 510	1	FAN UNIT KIT 700W 120V	[4]
11B	147 1120 500	1	Motor UZ 964 700 W 240 V	[4]
11B	147 1120 520	1	FAN UNIT KIT 700W 100V	[4]

Part Notes:

- [1] - for 120V
STOCK COVERS GUARANTEE
- [2] - CN only
- [3] - Machine outphased 2010
- [4] - Ametek - from Oct.2006, see TSB SE-2006-005
- [5] - Ametek - from Oct.2006, see TSB SE-2006-005
STOCK COVERS GUARANTEE



Pos.	Artikel-Nr.	Menge	Variante	Notes
00	140 5710 000	1	UNIVERSAL ADAPTER	
1	140 5691 000	1	Saugschlauch kpl. Ø 32mm mit Rohrbogen	
1	140 7082 000	1	Saugschlauch m. Muffe	
2	140 7584 500	1	Rohrbogen Plastik	
3	011 6431 500	2	Verlängerungsrohr Alu Ø 32x500 mm, 2Stk.	
5	011 8130 500	1	Teleskoprohr Alu Ø 32 mm	
6	010 3098 500	1	Fugendüse Ø 32 x 250 mm	
7	140 7547 500	1	PADDLE NOZZLE D32	
8	011 3104 500	1	Kombidüse klein	
13	140 6700 540	1	Hartbodendüse Ø 32 mm	
17	140 8492 520	1	Kombibodendüse RD295 m. Clip, Ø 32 mm	
22	140 5116 500	1	Rohrbogen Alu/Gummi Ø 32 mm	
24	010 9614 080	1	HALTERUNG f.GD930/Saugreg	
27	140 8070 000	1	HOSE CPL.W.ALUMINIUM BENT END	[1]
27	140 8070 010	1	HOSE CPL.	[2]

Part Notes:

- [1] - Black
 [2] - Light grey

RECOMMENDED SPARE PARTS

UZ 964 Ergoclean

2014.11.27

2013.04.02

RECOMMENDED SPARE PARTS

UZ 964 Ergoclean

2014.11.27

2013.04.02

Pos.	Artikel-Nr.	Menge	Variante	Notes
00	142 0947 020	1	Kohlebürste f. UZ 964	[1]
00	140 8166 010	1	Kondensator GD 930	
00	107401390	1	CORD SET CN 15.5M - KIT	
00	140 6423 530	1	CORD UK L 15M	
00	140 5496 510	1	Kippschalter Backu UZ 964	
00	140 3608 080	1	CORD SET TW 2C 15.5M YELLOW	
00	147 1134 500	1	FAN UNIT KIT 400HZ	[2]
00	140 6597 500	1	Ablufffilter, VPE 3	
00	140 6423 500	1	Netzkabel 15 m, schwarz	
00	140 6676 520	1	CORD CPL. L 15M AU/NZ KIT	
00	142 0947 000	1	Kohle UZ 964	[1]
00	140 9885 000	1	CARBON BRUSH UZ 964 400Hz	[3]
00	147 1120 500	1	Motor UZ 964 700 W 240 V	
00	140 3894 500	1	Thermoschalter GD 930	
00	147 1120 520	1	FAN UNIT KIT 700W 100V	
00	147 1120 510	1	FAN UNIT KIT 700W 120V	
00	140 6556 000	1	Schalldämpfer zu UZ 964	
00	140 3859 630	1	CORD SET KIT UZ964 US/TW	
00	140 3608 700	1	Netzkabel UZ 964 US/TW Aeroplane	
00	147 1120 540	1	FAN UNIT KIT 1000W 120V	
00	140 6423 520	1	CORD KIT CH L 15M	[4]
00	140 6916 000	1	SUPPRESSOR	[5]
00	142 0947 010	1	CARBON BRUSH FOR 115-120V	[1]
00	140 6702 500	1	Netzleitung JP 15,5m	
00	140 6423 570	1	CORD JP L 15M	

Part Notes:

- [1] - not for Ametek motors - see TSB SE-2003-05
GUARANTEE DATE EXPIRED
- [2] - STOCK COVERS GUARANTEE
- [3] - PRUNED
- [4] - Machine outphased 2010
- [5] - For old type of fan unit
GUARANTEE DATE EXPIRED

