

# PARTS LIST



**Hotline: 08337 - 75301**

Moltkestraße 13 | 89281 Altstadt-Illereichen  
Tel.: 0 83 37 / 75 301 | Fax 0 83 37 / 75 303  
info@wap-nilfisk-alto-shop.de

**[www.wap-nilfisk-alto-shop.de](http://www.wap-nilfisk-alto-shop.de)**

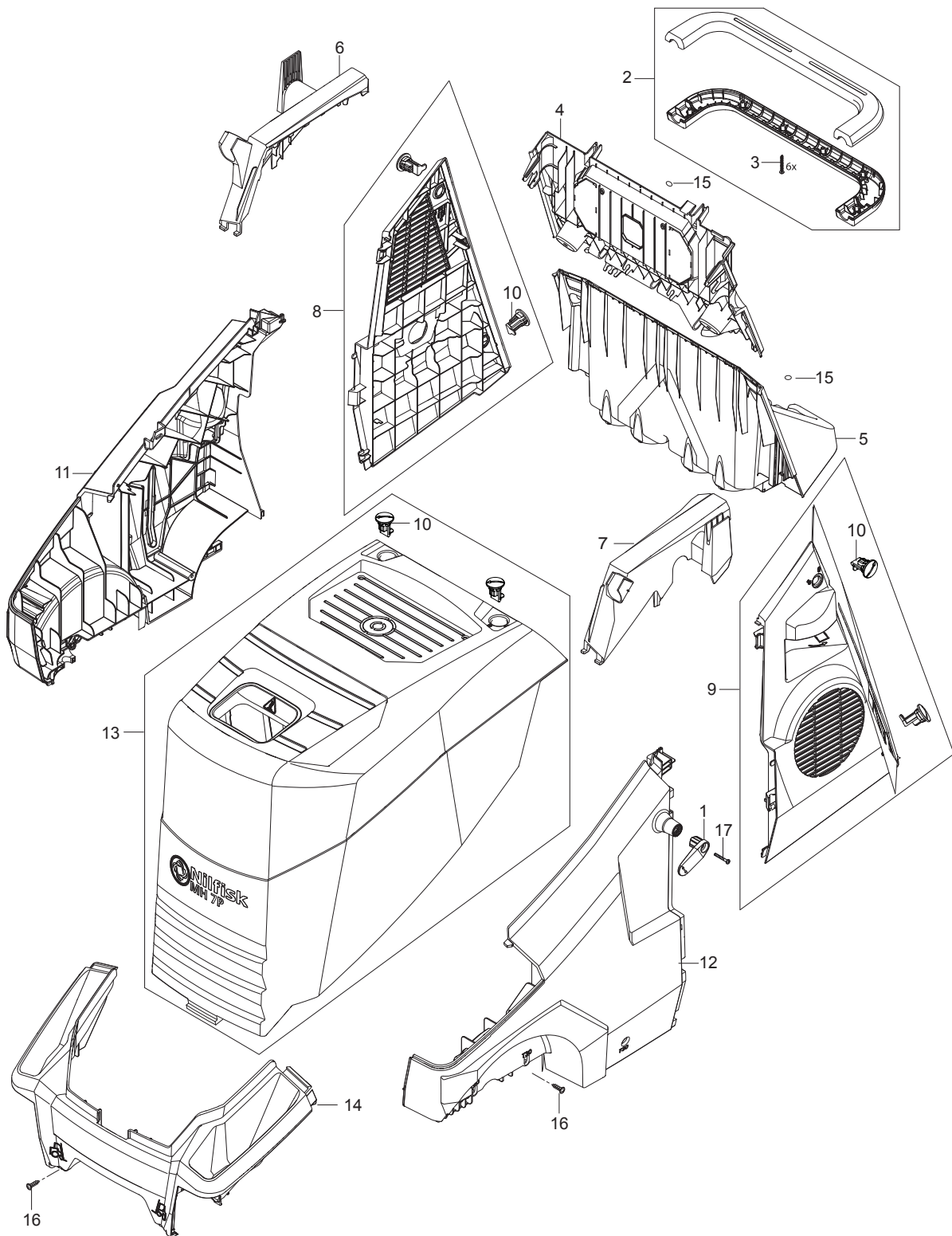


2017.03.01

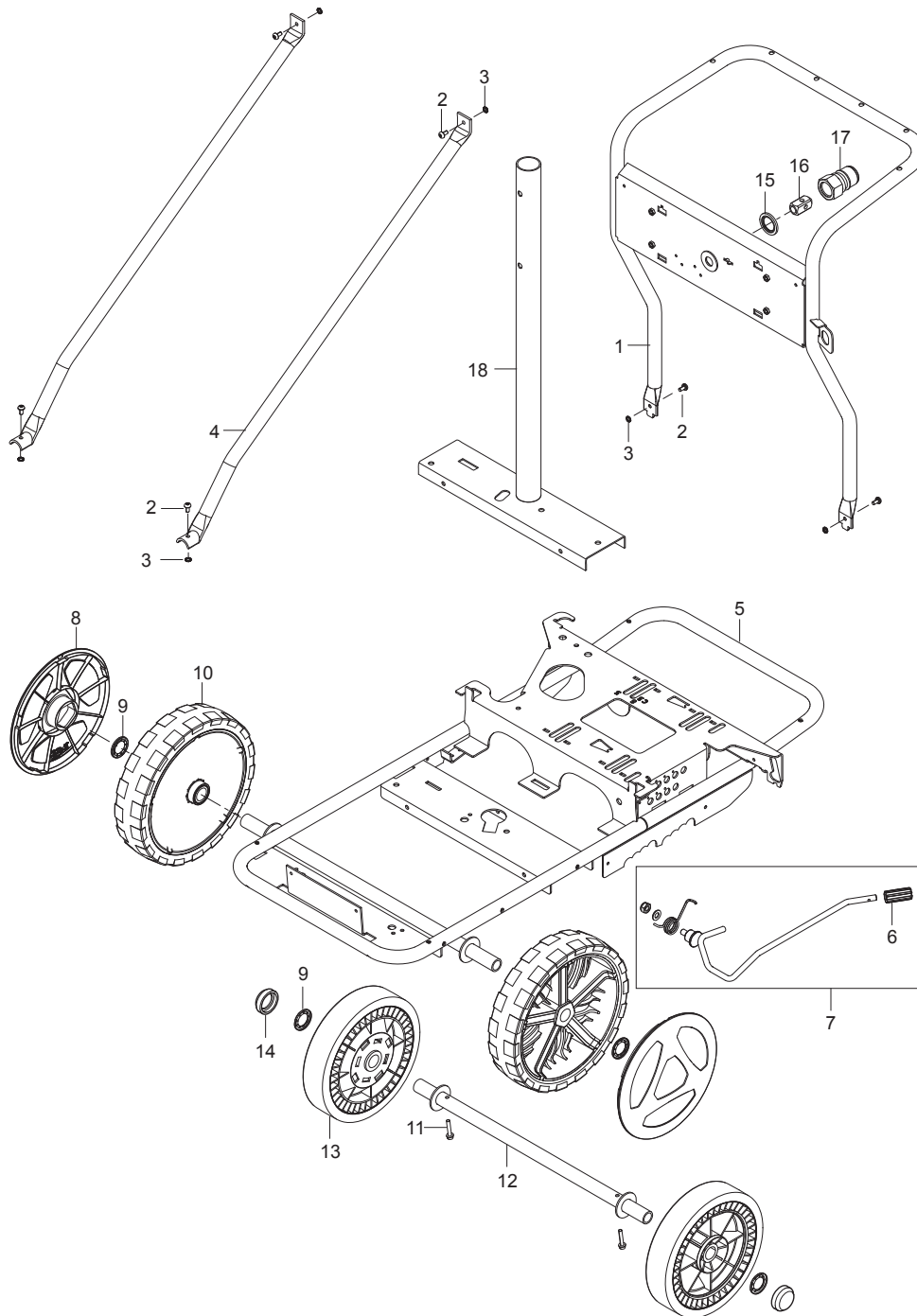
# TABLE OF CONTENTS

---

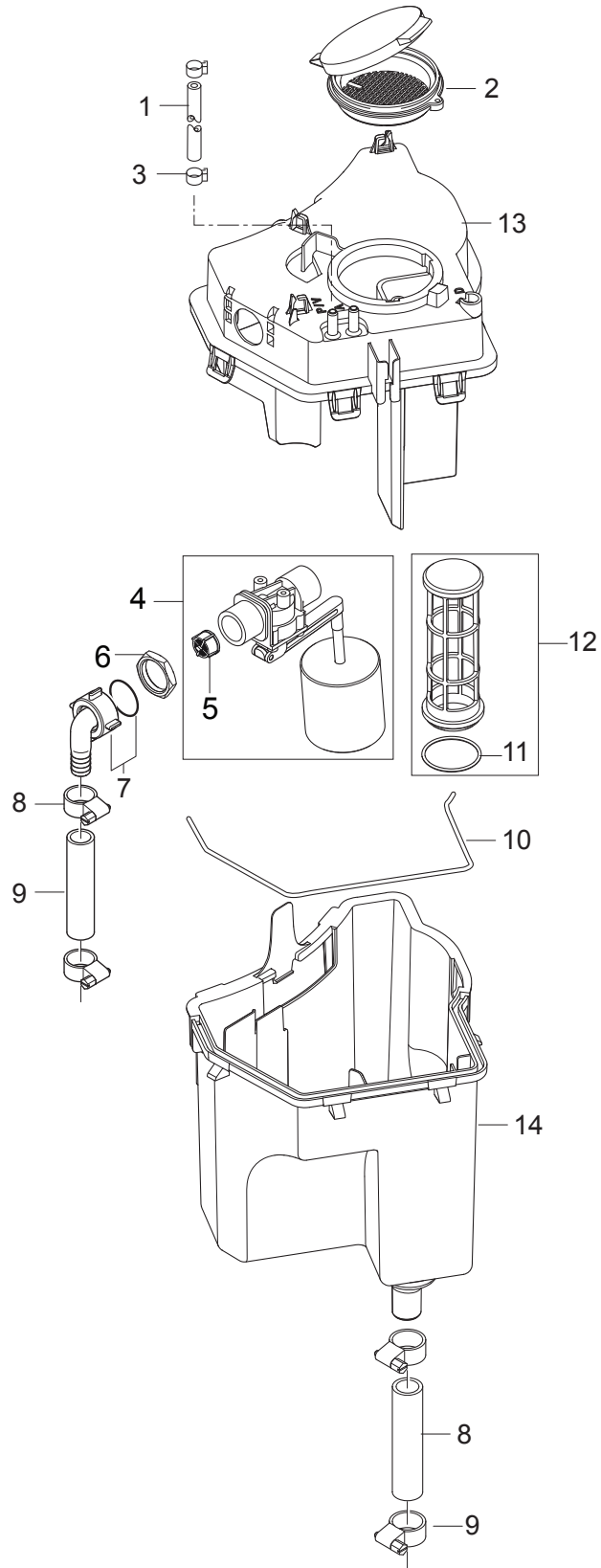
Cabinet .....	1
Chassis large .....	3
Water break tank .....	5
Hose reel .....	7
Fuel tank 30L .....	9
Water inlet_FA .....	11
Anti-scale .....	13
1x detergent .....	15
Electric box .....	17
Electric box for motor 1~,3~ STAR and 3~ DELTA .....	20
Electric box for motor Star/Delta .....	22
Cables and wires .....	24
Motor .....	26
Cylinder block .....	28
Water flow regulation .....	30
Burner .....	32
Flow control FA .....	34
Fan .....	36
Boiler B7 .....	38
Default accessories .....	40
Hour counter .....	42
Sandfilter accessory .....	44



Pos.	Artikel-Nr.	Menge	Variante	Notes
1	107143025	1	CABLE HOOK CLAMP BLUE	
2	101118192	1	HANDLE KIT	
3	909100148	6	Ejotschraube K40x30 WN 14	
4	107143013	1	REAR END TOP	
5	107143014	1	REAR END BOTTOM	
6	107143021	1	COVERING FOR HANDLE RIGHT	
7	107143022	1	COVERING FOR HANDLE LEFT	
8	101118223	1	DOOR MPU C3 RIGHT	
9	107143019	1	DOOR LEFT W/LOCKS	
10	301001261	6	Verriegelung	
11	107143130	1	SIDE BUMPER LARGE RIGHT	
12	107143131	1	SIDE BUMPER LARGE LEFT	
13	101118205	1	CABINET MH 7P NILFISK KIT	
14	107143015	1	FRONT BUMPER	
15	107143009	6	BLIND PLUG D16.5 FOR T30 BLACK PE	
16	107143018	12	SCREW M6X16	
17	107141838	7	SCHRAUBE K50X18 WN1451 SCHWARZ TORX 20	

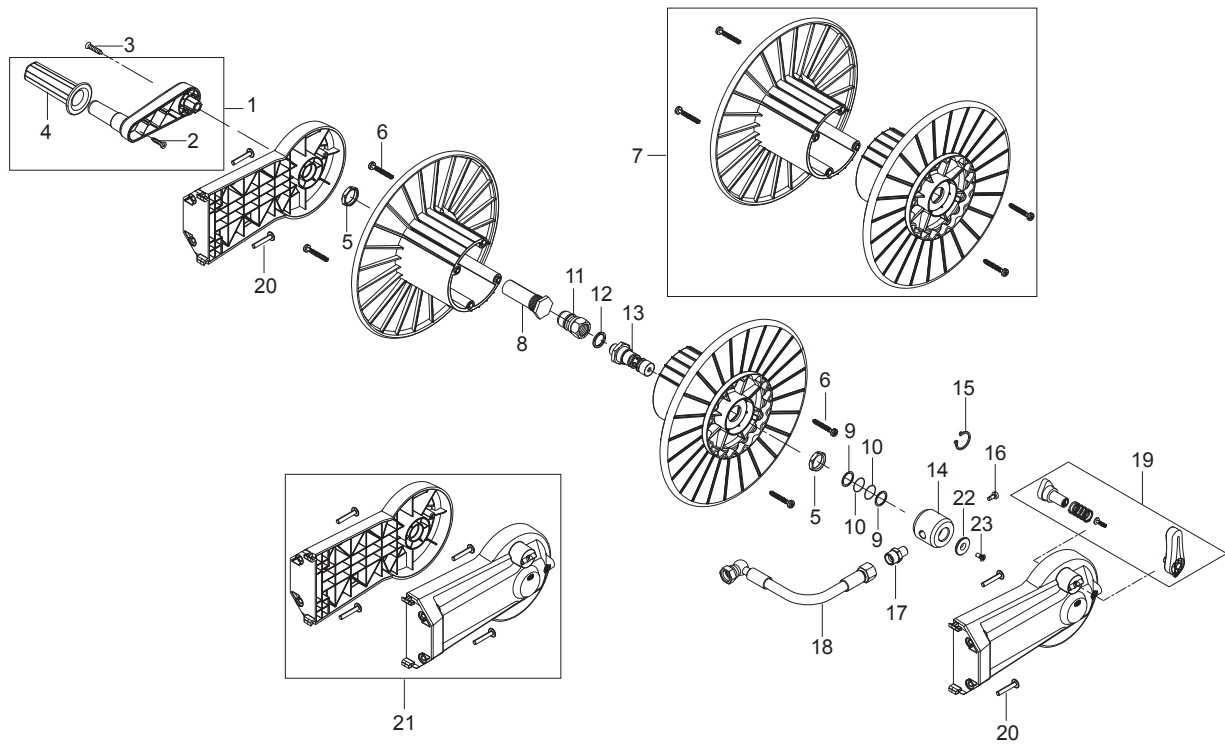


Pos.	Artikel-Nr.	Menge	Variante	Notes
1	31001157	1	FRAME HANDLE	
2	107143018	6	SCREW M6X16	
3	107143146	6	WASHER SERRATED M6	
4	31001158	2	HANDLE STIFFENER LONG	
5	31001159	1	FRAME LARGE WELDED	
6	107143028	1	BRAKE KNOB	
7	101118229	1	BRAKE ARM LONG KIT	
8	107145780	2	RADKAPPE FUER RAD Ø300X65	
9	46363	4	Klemmscheibe	
10	107145637	2	WHEEL D300X65	
11	107143027	2	SCREW M6X35 SW10 DIN7500D FZB	
12	31001160	1	WHEEL AXLE REAR	
13	107143156	2	WHEEL Ø250 HEAVY LOAD	
14	107143157	2	HUB CAP	
15	1801075	1	Dichtring	
16	107143066	1	PISTON	
17	1600493	1	Anschlussstück	
18	31001161	1	BOILER TUBE W. BRACKET LARGE	



Pos.	Artikel-Nr.	Menge	Variante	Notes
1	106408243	1	HOSE 1/4INCH TRANSPARENT - 5 METERS	
2	301000561	1	Deckel RP-Behälter	
3	301001133	2	Schlauchklemme 10/7	
4	101117784	1	Schwimmerventil	
5	34218	1	Filter	
6	1800341	1	Gegenmutter 3/4	
7	107143084	1	HOSE COUPLING 90° 20X3/4 PP W/NUT/GASKET	
8	107143031	1	FUELFLEX HOSE D28/D20 10BAR/20°	
9	8298	4	Schlauchschelle SGL 16-27	
10	101406054	1	Dichtung	
11	107143032	1	O-RING D30X2 SHORE70 NBR BLACK	
12	106403194	1	FILTER FOR WATER BREAK TANK ACCESSORY	
13	107143060	1	COVER FOR WATER TANK	
14	107143030	1	WATER BREAK TANK	

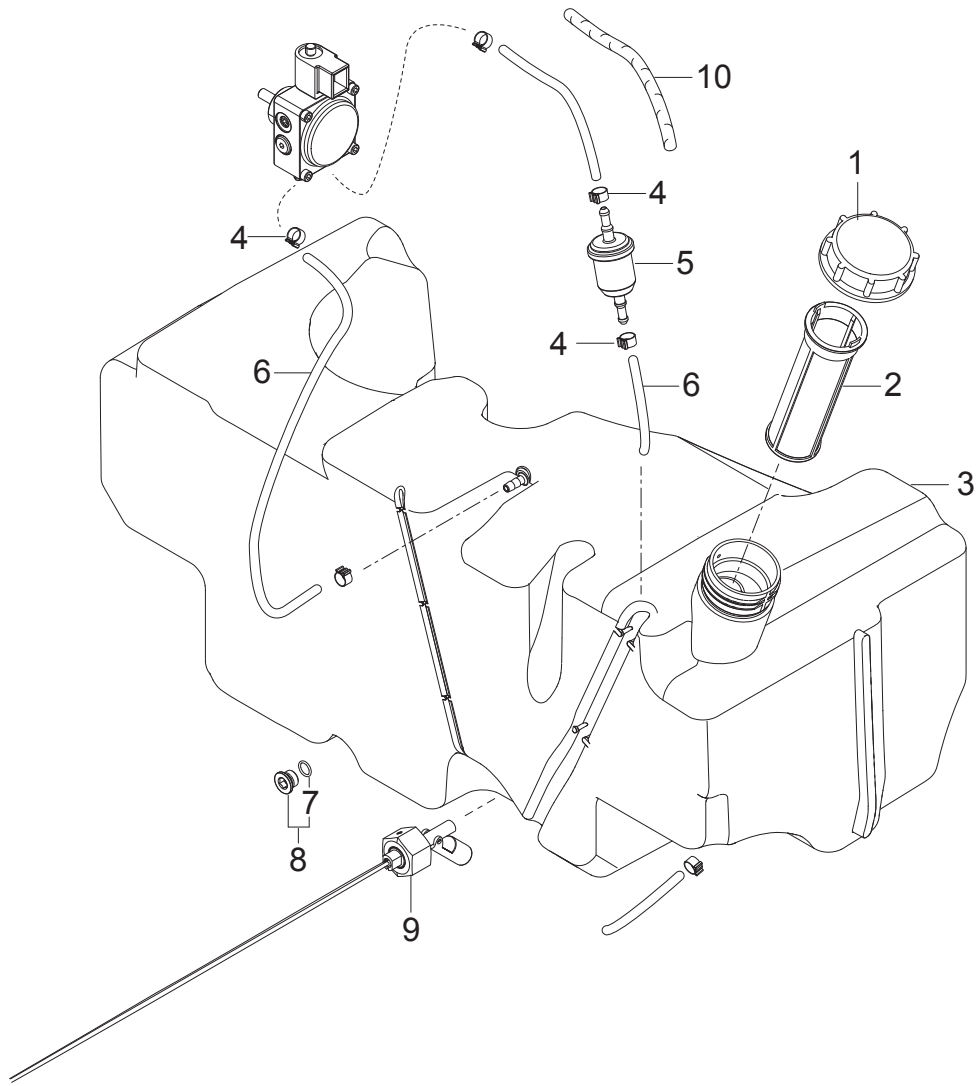




Pos.	Artikel-Nr.	Menge	Variante	Notes
0	106403184	1	HOSE REEL NILFISK ACCESSORY	
1	101118215	1	HANDLE FOR HOSE REEL NILFISK	
2	107141838	2	SCHRAUBE K50X18 WN1451 SCHWARZ TORX 20	
3	107141673	1	Schraube M6x45	
4	107143007	1	ROTATING HANDLE FOR HOSE REEL NILFISK	
5	62696	2	Sechskantmutter M24x1,5x	
6	909100153	4	Schraube 6x40	
7	101118209	1	HOSE REEL SIDE KIT	
8	107141675	1	Achse	
9	107143017	2	BACK-UP RING	
10	19620	2	O-Ring 15,54x2,62	
11	1600493	1	Anschlussstück	
12	1801075	1	Dichtring	
13	107143123	1	SWIVEL FOR HOSE REEL	
14	101118211	1	BEARING BUSH KIT	
15	1802057	1	Seegerring U 20 x1,2	[1]
16	107141690	1	Linsenschraube DIN7985-M5x12-8.8	
17	54590	2	Anschlussstück	
18	107143114	1	CONNECTION HOSE DN8 FOR HOSE REEL	
19	101118212	1	Ø20KE HANDLE FOR HOSE REEL NILFISK KIT	
20	107143010	4	SCREW M6X35	
21	101118208	1	HOSE REEL ADAPTOR KIT	
22	107143125	1	WASHER 25 FOR COUNTERSUNK M5	[2]
23	107143124	1	COUNTERSUNK M5X12 ISO 14581	[2]
		1	Mounting instr. for Hose Reel Nilfisk	[3]

Part Notes:

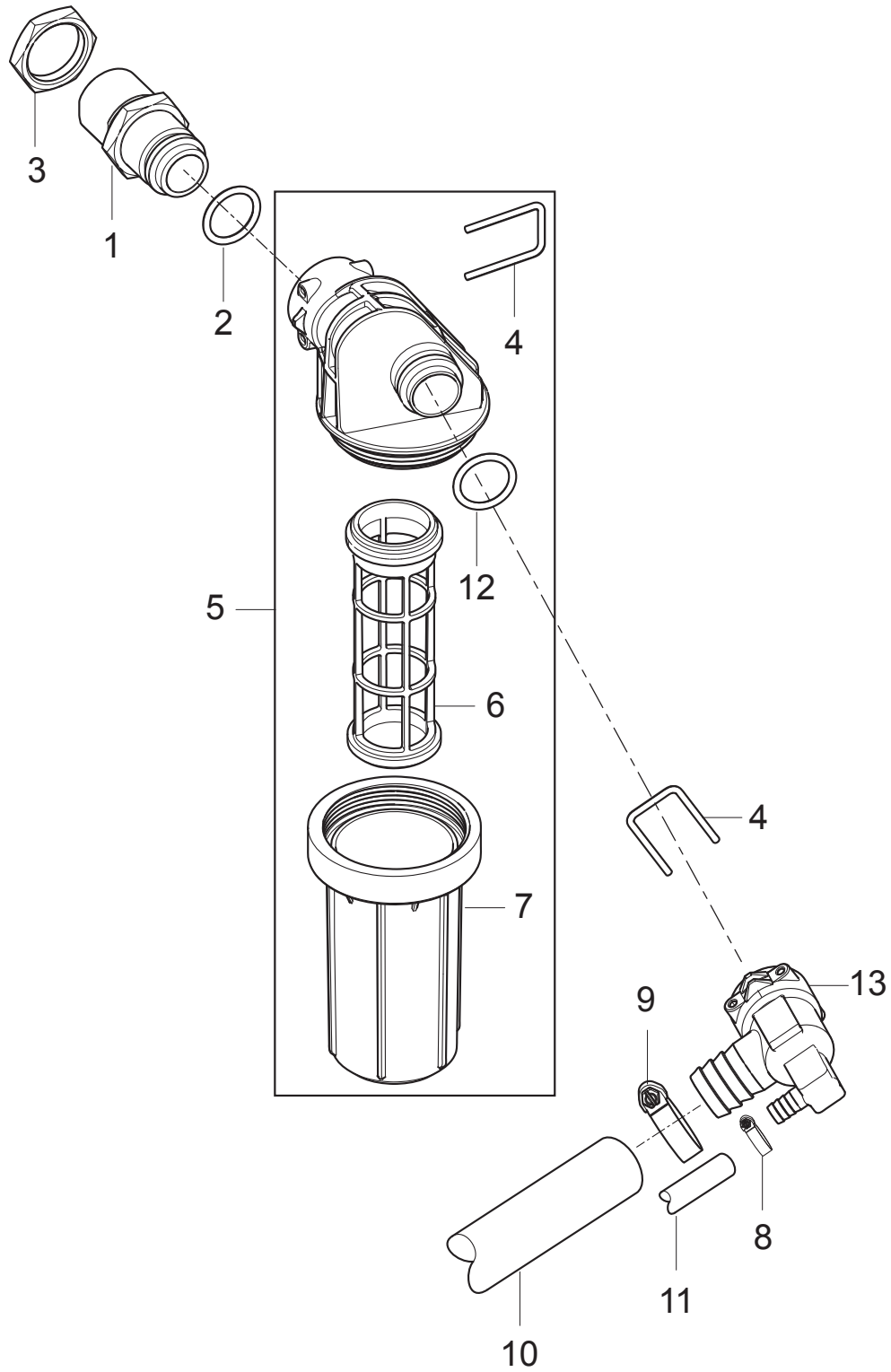
- [1] - Up to 07.2016
- [2] - TSB-PPW-2016-018 MH 4M Hose Reel Circlip
- [3] - Mounting instructions MH Nilfisk hose reel



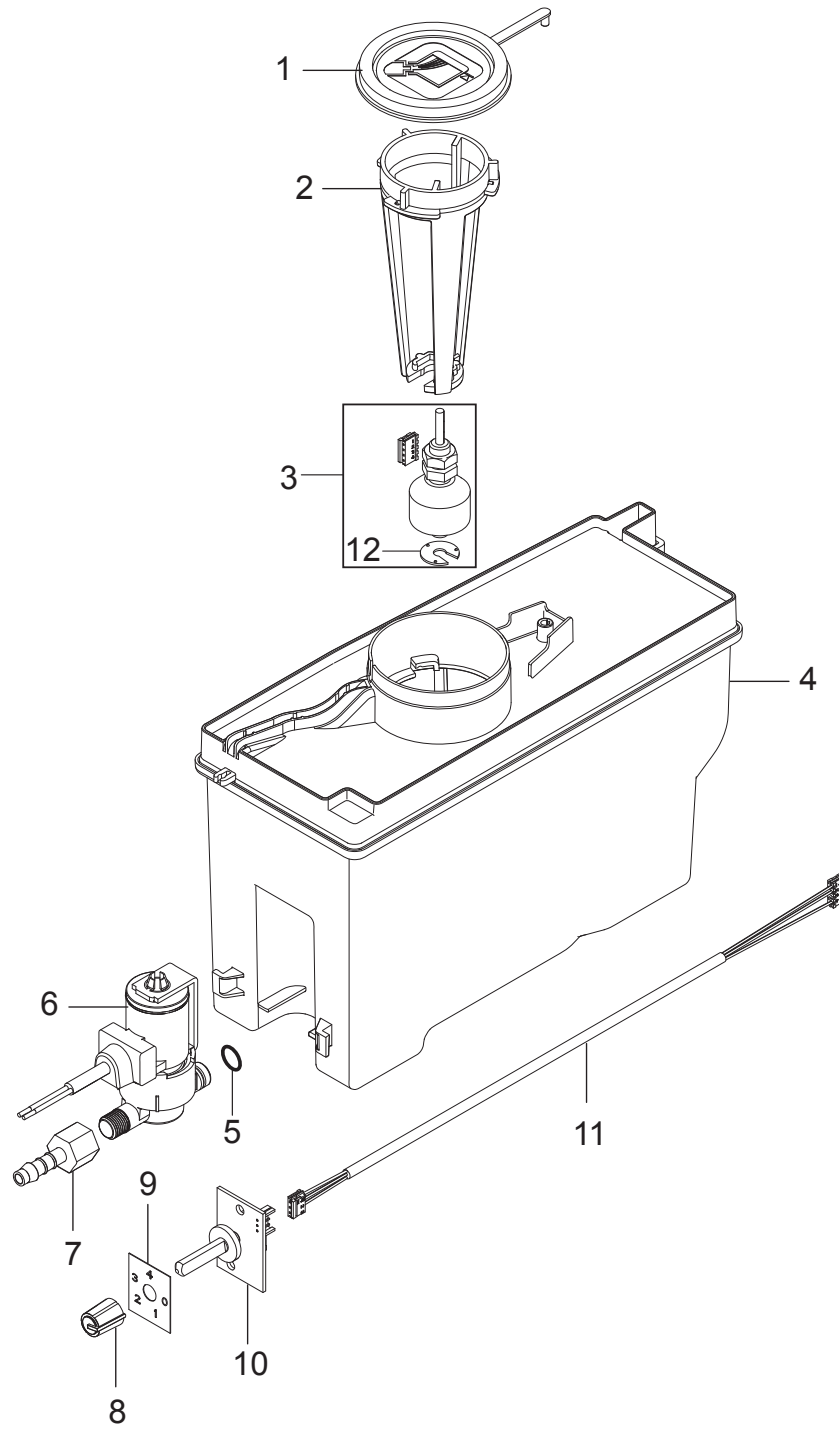
---

Pos.	Artikel-Nr.	Menge	Variante	Notes
1	107143034	1	FUEL TANK LID - RED	
2	1604222	1	Tankeinfuelsieb	
3	107143136	1	FUEL TANK 30L	
4	301001133	6	Schlauchklemme 10/7	
5	301002926	1	Filter	
6	106408244	0.35	HOSE D6X2.5 - 5 METERS	
7	3000072	1	O-Ring 10,1 X 1,6 SMS	
8	6180906	1	Verschlussschraube	
9	107143033	1	LEVEL SENSOR FUEL TANK	
10	107143164	1	BEND PROTECTOR	

---



Pos.	Artikel-Nr.	Menge	Variante	Notes
1	107143086	1	FITTING FOR WATER INLET	
2	107143088	2	O-RING 18.72X2.62	
3	1800341	1	Gegenmutter 3/4	
4	107143085	2	LOCK PIN	
5	107144272	1	FILTER CPL. MH 5000MM2 50µ ACCESSORY	
6	31001100	1	FILTER CARTRIDGE WITHOUT FLANGE	
7	31001011	1	GLAS FOR WATER FILTER	
8	11654	1	Schlauchklemme 11,5	
9	8298	1	Schlauchschelle SGL 16-27	
10	107143031	1	FUELFLEX HOSE D28/D20 10BAR/20°	
11	106408243	1	HOSE 1/4INCH TRANSPARENT - 5 METERS	
12	107143088	1	O-RING 18.72X2.62	
13	107143087	1	WATER INLET FITTING FOR FA	

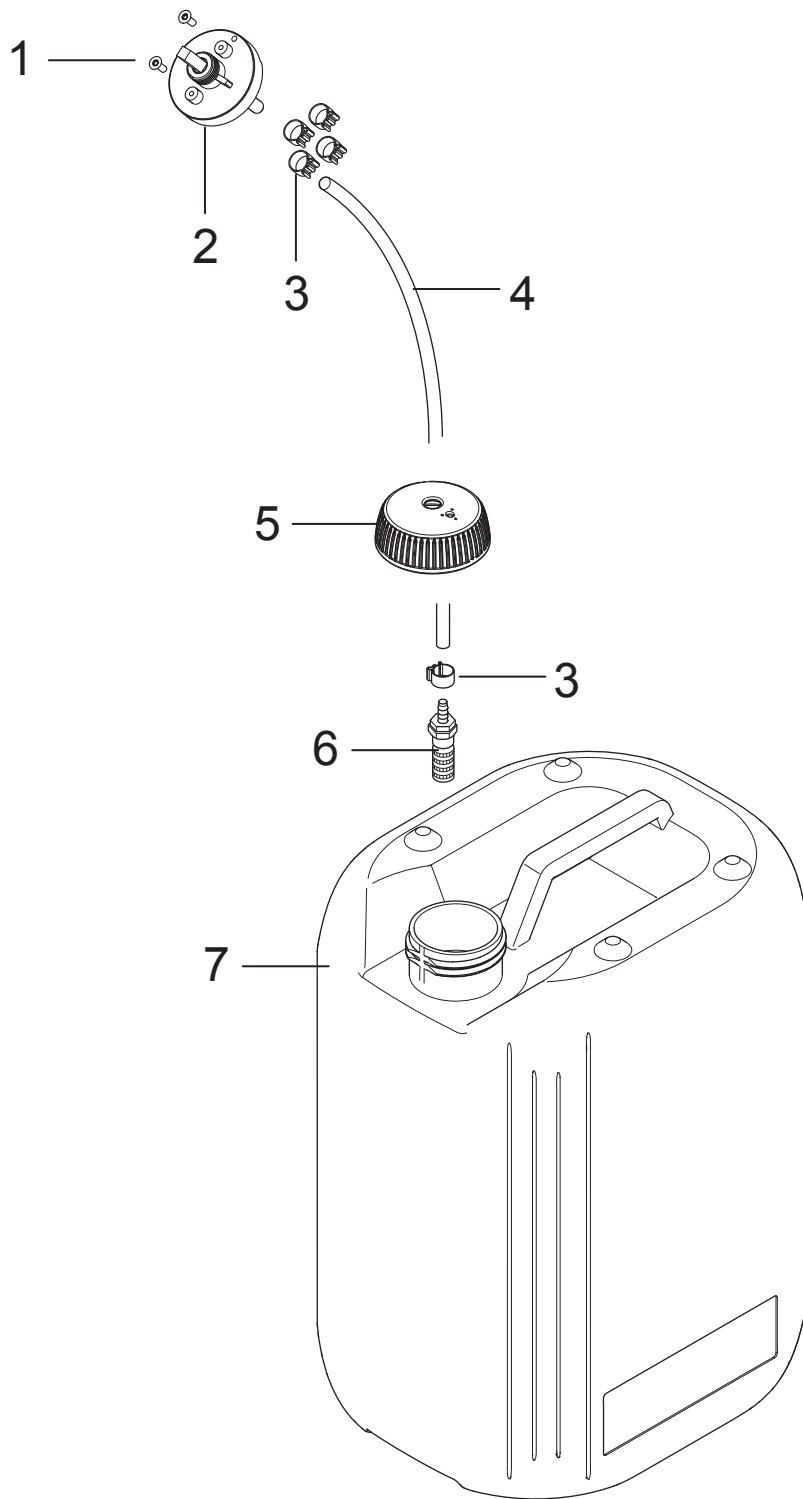


Pos.	Artikel-Nr.	Menge	Variante	Notes
1	45646	1	Deckel	
2	107143040	1	LEVELSENSOR BRACKET FOR ANTISCALE	
3	101118214	1	FLOAT SWITCH KIT	
4	107143041	1	ANTISCALE TANK CPL.	
5	31001036	1	O-RING 6X2 NBR 70SH	
6	107143037	1	DOSING VALVE RPE 24VAC	
7	107143036	1	HOSE FITTING D6X1/8 PA	
8	107318222	1	PUSH-ON KNOB 11MM/6MMD/WH	
9	107143042	1	LABEL FOR ANTISCALE	
10	101117730	1	PCB FOR POTENTIOMETER	
11	107143038	1	CABLE FOR ADJUSTMENT ANTI SCALE	
12	107142593	1	HOLDING WASHER PE	[1]

Part Notes:

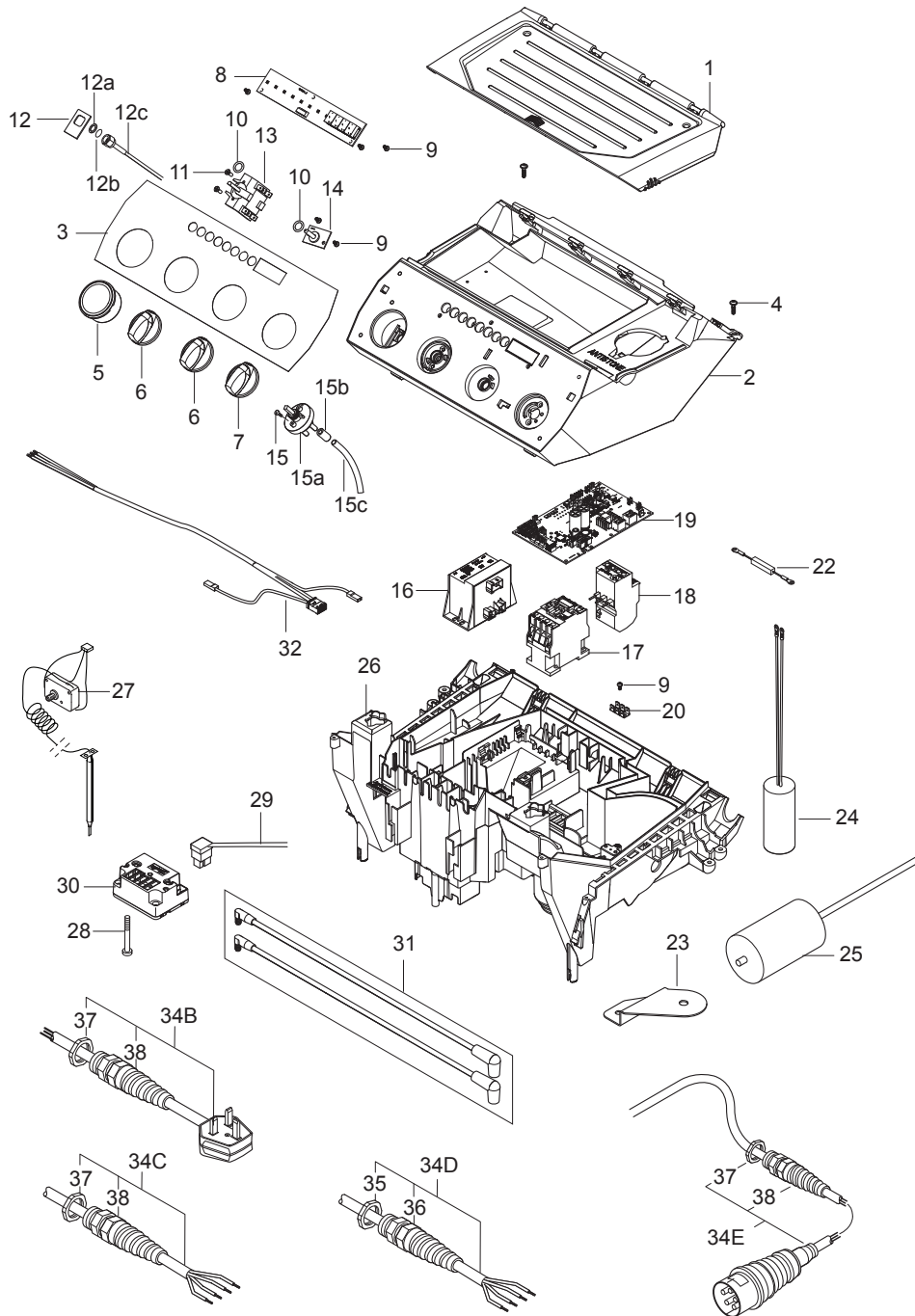
- [1] - TSB-PPW-2016-017 Locking ring for oil level switch falling off





---

Pos.	Artikel-Nr.	Menge	Variante	Notes
1	1814730	2	Schraube 3,5x10	
2	301001000	1	Ventil	
3	301001133	8	Schlauchklemme 10/7	
4	106408243	1	HOSE 1/4INCH TRANSPARENT - 5 METERS	
5	107141664	2	Deckel	
6	107145440	2	Sieb Ventil Komplettsset	
7	80518	1	Behälter	

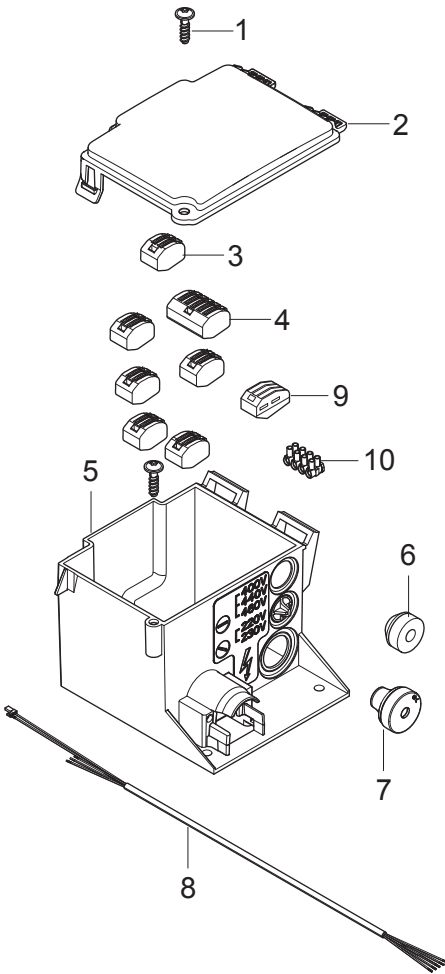


Pos.	Artikel-Nr.	Menge	Variante	Notes
1	107143046	1	TOOL BOX LID	
2	107143045	1	E-BOX TOP	
3	107143153	1	LABEL F. CONTROL PANEL FULL SPEC NILFISK	
4	107141838	2	SCHRAUBE K50X18 WN1451 SCHWARZ TORX 20	
5	107141648	1	MANOMETER 0-300 BAR	
6	909100204	2	Drehknopf 6x5 blau	
7	909100214	1	Schalter GR 1 4 Kt	
8	107143154	1	PCBA NEO UI DISPLAY CPL. MH	
9	909100046	5	Schraube 4x8	
10	9868	2	O-Ring 10x2,5	
11	18274	2	Senkschraube M4x12	
12	107141650	1	Halter	
12a	107141651	1	Scheibe DIN125-A13	
12b	31000508	1	O-RING NBR	
12c	102406647	1	Manometerrohr	
13	28877	1	Schalter	
14	101117730	1	PCB FOR POTENTIOMETER	
15	1814730	2	Schraube 3,5x10	
15a	301001000	1	Ventil	
15b	301001906	1	Verschlusskappe	
15c	106408243	1	HOSE 1/4INCH TRANSPARENT - 5 METERS	
16	107143051	1	POWER TRANSFORMER 230/400V 2X24V	
16	107143064	1	POWER TRANSFORMER 220-240V/440-460V	
16	107143068	1	POWER TRANSFORMER 115 / 200V	
17	103822306	1	Schütz CJX2-D18-B7 24V	[1]
17	103822313	1	Schütz 100-C23KJ10	[2]
17	103822317	1	Schütz CJX2-D32-B7 24V	[3]
18	103822327	1	Thermorelais 12-18A	
19	107143151	1	PCBA MH	
20	107307326	1	EARTH CONNECTOR 6 PIN	
22	107141730	1	DISCHARGE RESISTOR 15KOHM/7W	[4]
23	107143134	1	BRACKET FOR CAPACITOR	[4]
24	107143065	1	CAPACITOR 70UF 400/450V	[4]
25	107141619	1	CAPACITOR 170MF	[4]
26	107143062	1	E-BOX BOTTOM	
27	106268028	1	Abgas Sicherheits Thermostat Kit	
28	909100149	2	Ejotschraube K50x50 WN 14	
29	107143098	1	PRIMARY CABLE FOR IGNITION COIL	
30	101117759	1	Zündtransformator 220-240	
31	101118220	1	2 X IGNITION CORDS KIT	
32	107143056	1	CABLE FOR POWER TRAF0 PRIM 230V	
32	107143063	1	CABLE FOR POWER TRANSFORMER PRIM 400V	
32	107143072	1	CABLE F. POWER TRANSFORMER PRIM 230/400	
34B	101117812	1	Netzkabel H07RN BS13	[5]
34C	101118182	1	POWER CORD H07RN 4G2.5X6M GND 6.3X0.8 NO	[6]
34D	107143126	1	POWER CORD 4X5.5MM2 X9M	[7]
34E	101118222	1	POWER CORD H07RN 4G1,5 CEE5	[8]
35	909100198	1	Schnur Befestigung	
36	909100020	1	Sechskantmutter M25x1,5 EN 50262 PA	
37	909100019	1	Sechskantmutter M20x1,5 EN 50262 PA	
38	909100043	1	Kabelverschraubung	

## Part Notes:

- [1] - MH5M-100/760 UK, MH5M-200/960 EU, MH5M-210/1100 EU,  
MH6P-175/1250 EU, MH6M-200/1300 EU, MH7P-180/1260 EU
- [2] - MH5M-210/1100 NO, MH7P-180/1260 NO, MH8P-180/2000 EU
- [3] - MH5M-210/1100 EXP, MH6P-200/1300 NO, MH6P-210/1100 JP, MH6P-210/1300 EXP, MH7P-180/1260 JP
- [4] - 1ph
- [5] - MH5M-100/760 UK

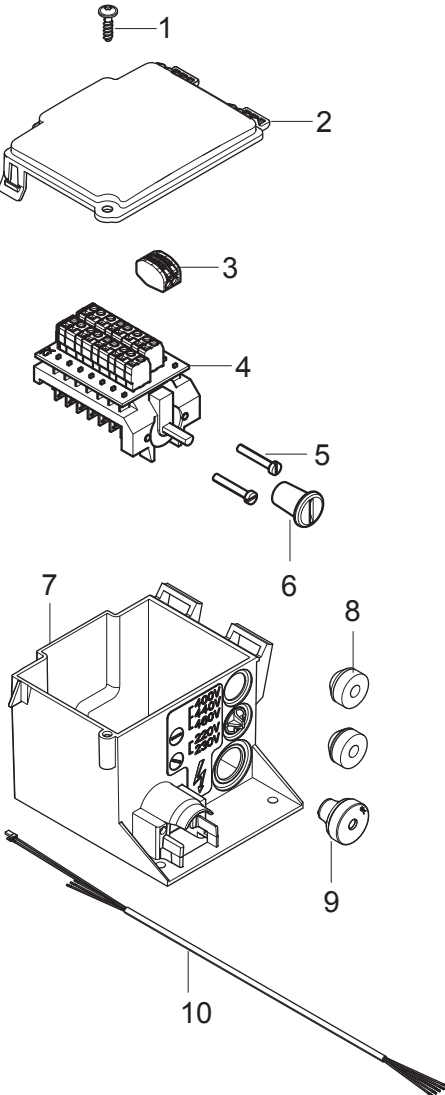
- [6] - MH 5M-210/1100 EXP+NO, MH6P-200/1300 EXP+NO, MH7P-180/1260 NO, MH8P-180/2000 EU
- [7] - MH6P-210/1100 JP, MH7P-180-1260 JP
- [8] - MH5M-200/960 EU, MH5M-210/1100 EU, MH6P-175/1250 EU, MH6P-200/1300 EU, MH7P-180/1260 EU



Pos.	Artikel-Nr.	Menge	Variante	Notes
1	107141838	1	SCHRAUBE K50X18 WN1451 SCHWARZ TORX 20	
2	301000782	1	Deckel	
3	107143069	6	SNAP TERMINAL 2 POL	
4	301002165	1	Anschlussklemmenkäfig	
5	107143074	1	E-BOX	
6	3803764	1	Stopfbuchse TET 5-7C	
7	3803772	1	Tülle	
8	107143075	1	MOTOR CABLE 5G1.5 FOR 3~	[1]
8	107143076	1	MOTOR CABLE 5G1.5 FOR 1~	[2]
8	107143071	1	MOTOR CABLE 5G2.5 FOR STAR/DELTA	[3]
8	107143129	1	MOTOR CABLE 4G4 DELTA MH5-6-7	[4]
9	107143069	1	SNAP TERMINAL 2 POL	[5]
10	107143158	1	TERMINAL BLOCK 4-POL 10MM2	[6]

## Part Notes:

- [1] - MH4, MH5-200
- [2] - MH4 1ph, MH5 1ph
- [3] - MH4 (JP), MH5 (not MH5-200), MH6, MH7
- [4] - MH6 JP, MH7JP
- [5] - 1~
- [6] - MH5-6-7 - Delta, JP

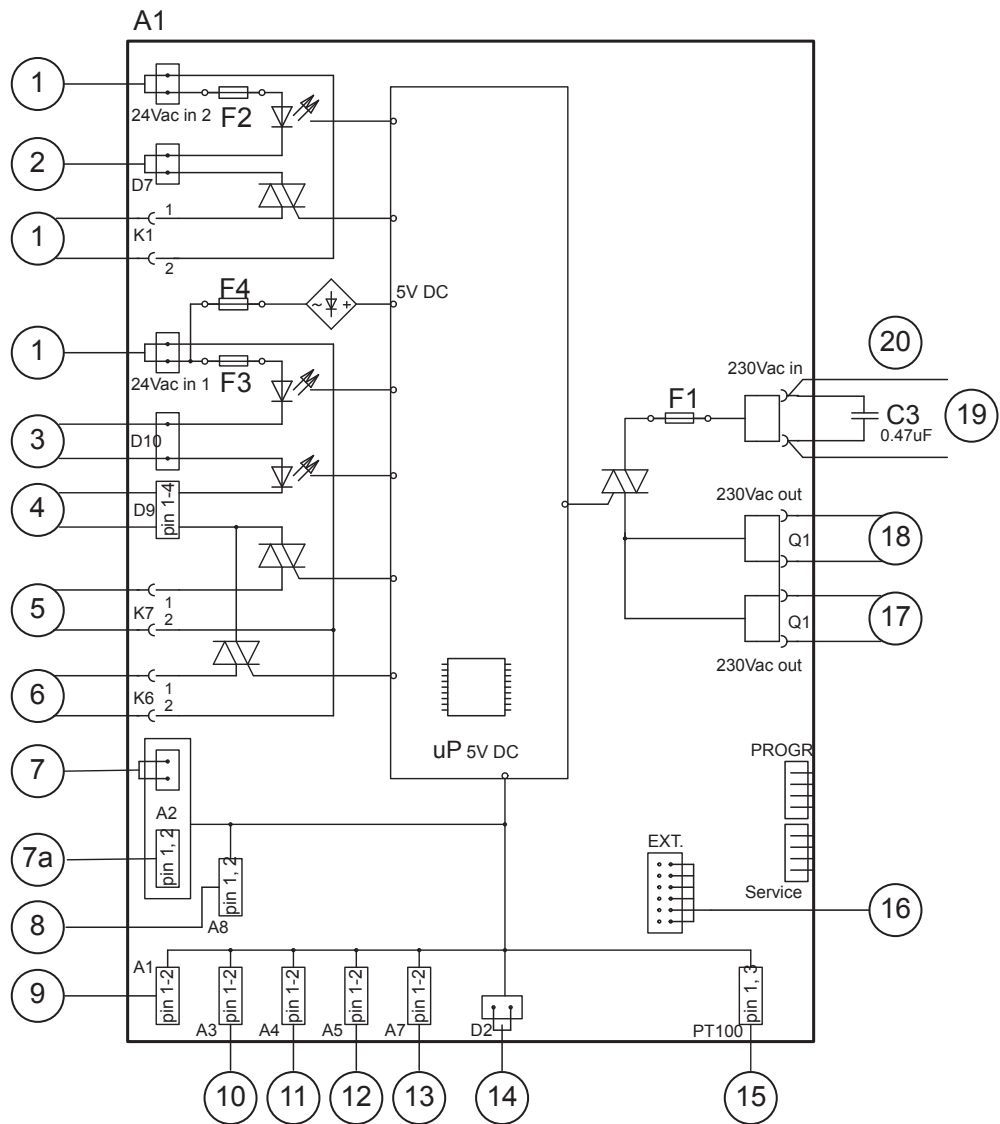




Pos.	Artikel-Nr.	Menge	Variante	Notes
1	107141838	1	SCHRAUBE K50X18 WN1451 SCHWARZ TORX 20	
2	301000782	1	Deckel	
3	107143069	1	SNAP TERMINAL 2 POL	
4	107143073	1	PCB SWITCH STAR/DELTA	
5	101117739	2	Flachkopfschraube	
6	64580	1	Drehknopf	[1]
7	107143074	1	E-BOX	
8	3803764	2	Stopfbuchse TET 5-7C	
9	3803772	1	Tülle	
10	107143071	1	MOTOR CABLE 5G2.5 FOR STAR/DELTA	

## Part Notes:

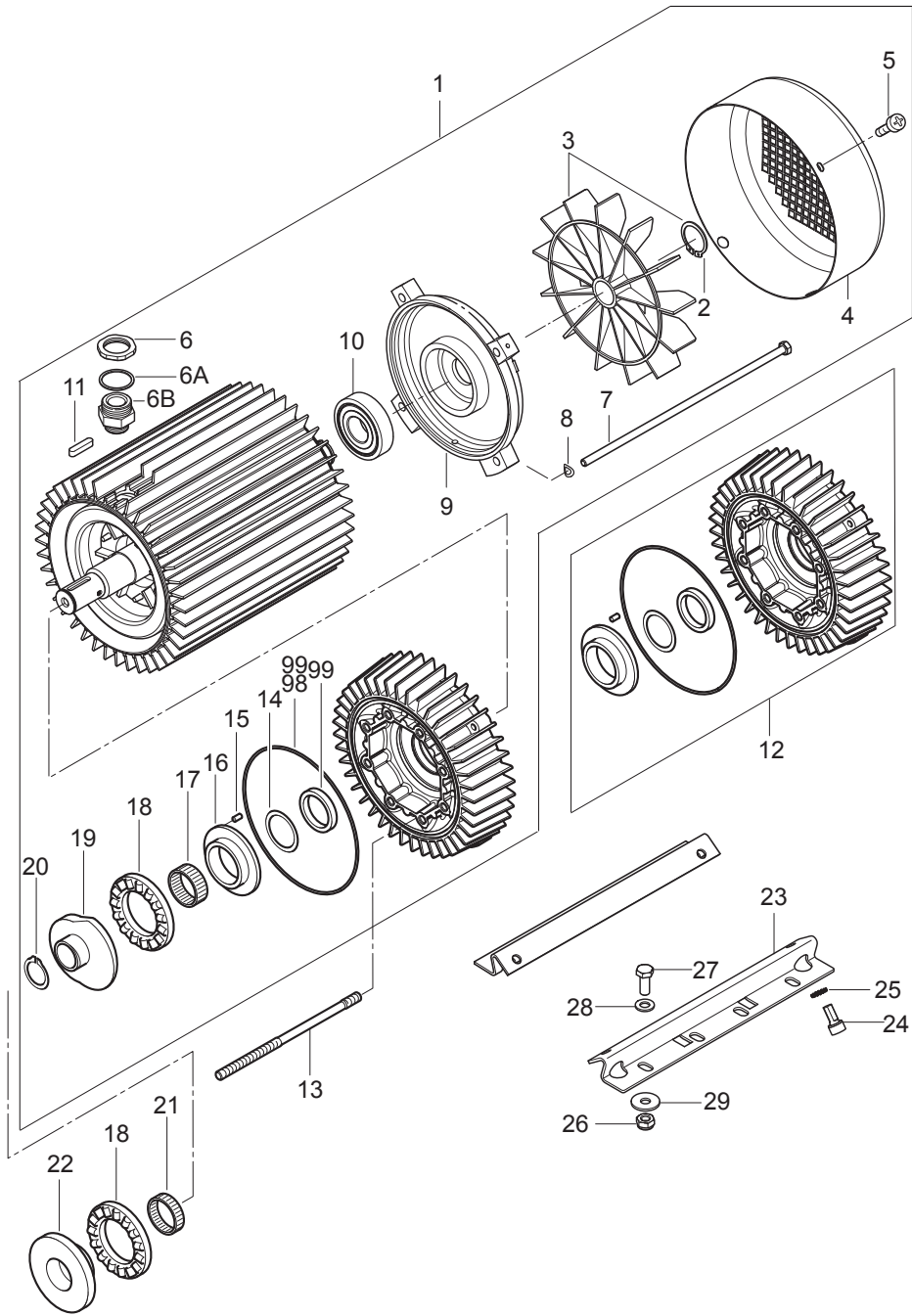
- [1] - TSB-PPW-2016-007 Rotary knob for Voltage selector switch 230V-400V must be sealed with lacquer  
DE TSB-PPW-2016-007 Drehknopf des Spannungsauswahlschalters 230V-400V muss mit Lack versiegelt werden



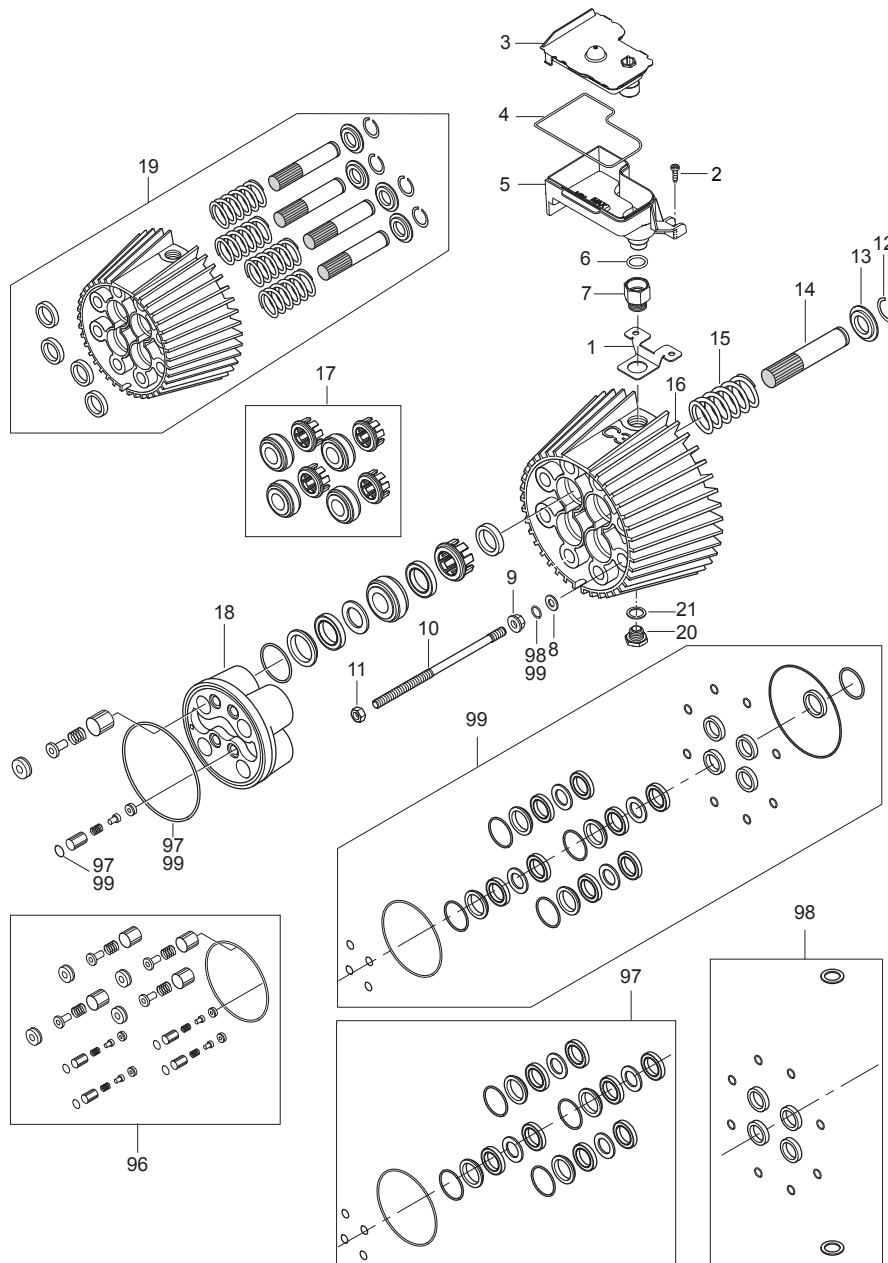
Pos.	Artikel-Nr.	Menge	Variante	Notes
1	107143052	1	CABLE FOR POWER TRANSFORMER SEC 6X0.75	
2	107143070	1	CABLE FOR MT	
3	107143055	1	CABLE FOR HOT WATER MODE AND EXH. SWITCH	
4	107143121	2	REED SWITCH NO W/CABLE	
5	107143095	1	CABLE FOR SOLENOID VALVE 2X0.5	
6	107143037	1	DOSING VALVE RPE 24VAC	
7	101118188	1	MICRO-SWITCH KIT	[1]
7a	107143121	2	REED SWITCH NO W/CABLE	[2]
8	107143043	1	CABLE FOR TEMPERATURE ADJUSTMENT	
9	101118214	1	FLOAT SWITCH KIT	
10	107143038	1	CABLE FOR ADJUSTMENT ANTI SCALE	
11	107143033	1	LEVEL SENSOR FUEL TANK	
12	101118173	1	OIL SENSOR W/PLUG KIT	[3]
13	107143100	1	FLAME SENSOR WITH CABLE	
14	107143055	1	CABLE FOR HOT WATER MODE AND EXH. SWITCH	
15	107143083	1	TEMPERATUR SENSOR PT100 W/CABLE	
16	107143053	1	CABLE FOR UI	
17	107143098	1	PRIMARY CABLE FOR IGNITION COIL	
18	107143096	1	MOTOR BURNER - 0.23KW/230V/50HZ/1PH	[4]
18	107143097	1	MOTOR BURNER 390W/200-240V/50/60HZ	[5]
19	107143054	1	WIRE BLACK L=400	
20	101117867	1	Entstörglied	

## Part Notes:

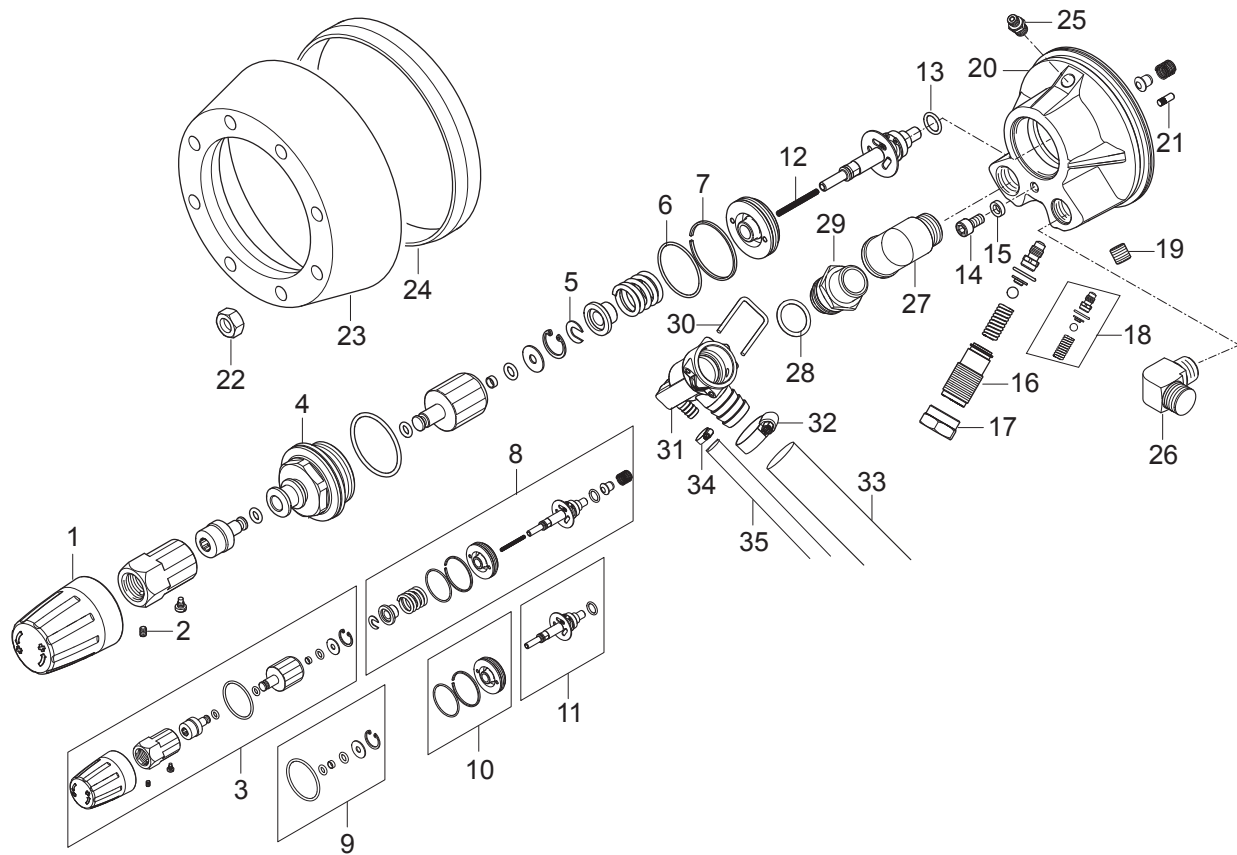
- [1] - NA5 PA
- [2] - FA
- [3] - MI 107309166 JST Connector
- [4] - MH 5M-210/1100 FA 400/3/50 Gerni, MH 5M-210/1100 FAX 400-230/3/50 NO, MH 6P-175/1250 FAX 400/3/50 EUMH 6P-200/1300 FAX 400/3/50 EU, MH 7P-180/1260 FA 400/3/50 EU
- [5] - MH 5M-210/1100 FA 440-220/3/60 EXPT, MH 6P-210/1100 FA 200/3/50-60 JP, MH 6P-195/1350 FA 440-220/3/60 EXPT, MH 7P-180/1260 FA 200/3/50-60 JP



Pos.	Artikel-Nr.	Menge	Variante	Notes
0	5218433	1	Pumpenöl 150 1x1l	
1	101118225	1	MOTOR 6.5KW 200 3 60 KIT	
1	101118226	1	MOTOR 6.5KW 400 415 230 3 50 KIT	
1	101118227	1	MOTOR 6.5KW 200 3 50 KIT	
2	1802503	1	Sicherungshülse	
3	107142275	1	FAN AND RETAINING RING	
4	107142276	1	COVER FOR FAN	
5	101814693	2	Schraube M4x8	
6	20862	1	Rohrmutter R1	
6A	103004340	1	Dichtring 1	
6B	107302152	1	Verschraubung G1AG/G3/4	
7	31000493	4	STAY BOLT 306 MM	
8	1801182	4	Federring 8,1	
9	107142277	1	REAR BEARING COVER	
10	31000149	1	Lager RF	
11	3200672	1	Passfeder 6x6x32	
12	107140615	1	Lagerabdeckung, vorn	
13	6301368	8	Stehbolzen	
14	6100995	1	Scheibe 53x40,5x1,25	
15	6100996	1	Kegelstift	
16	107120703	1	Lagerscheibe Motorseitig	
17	3200656	1	Nadellager K40x45x17	
18	3200615	2	Axialrollenlager	
19	107120710	1	Taumelscheibe No.6	
19	107120716	1	Taumelscheibe No.12	
20	1802511	1	Sicherungsring 28x1,2	
21	3200664	1	Nadellager K40x45x13A	
22	107120704	1	Lagerscheibe Pumpenseiti	
23	107142071	2	MOTORHALTERUNG C3 C3 POSEIDON 7	
24	107140908	4	SPECIAL SCREW M10x20 F. C3 BRACKET SPARE	
25	10204	8	Fächerscheibe 10,5 -A- DIN 6798 FSt/zn	
26	8952	4	Sechskantmutter M10 ISO 7042 zn	
27	1801133	4	SCREW M10X25 ISO4017 ZN	
28	2767	4	Scheibe 10,5x2,0 ISO 7090 zn	
29	4827	4	Scheibe 10,5x2,5 A ISO 7093-1 zn	
98	1119820	1	Reparatursatz Öldichtung	
99	1119570	1	Dichtsatz	

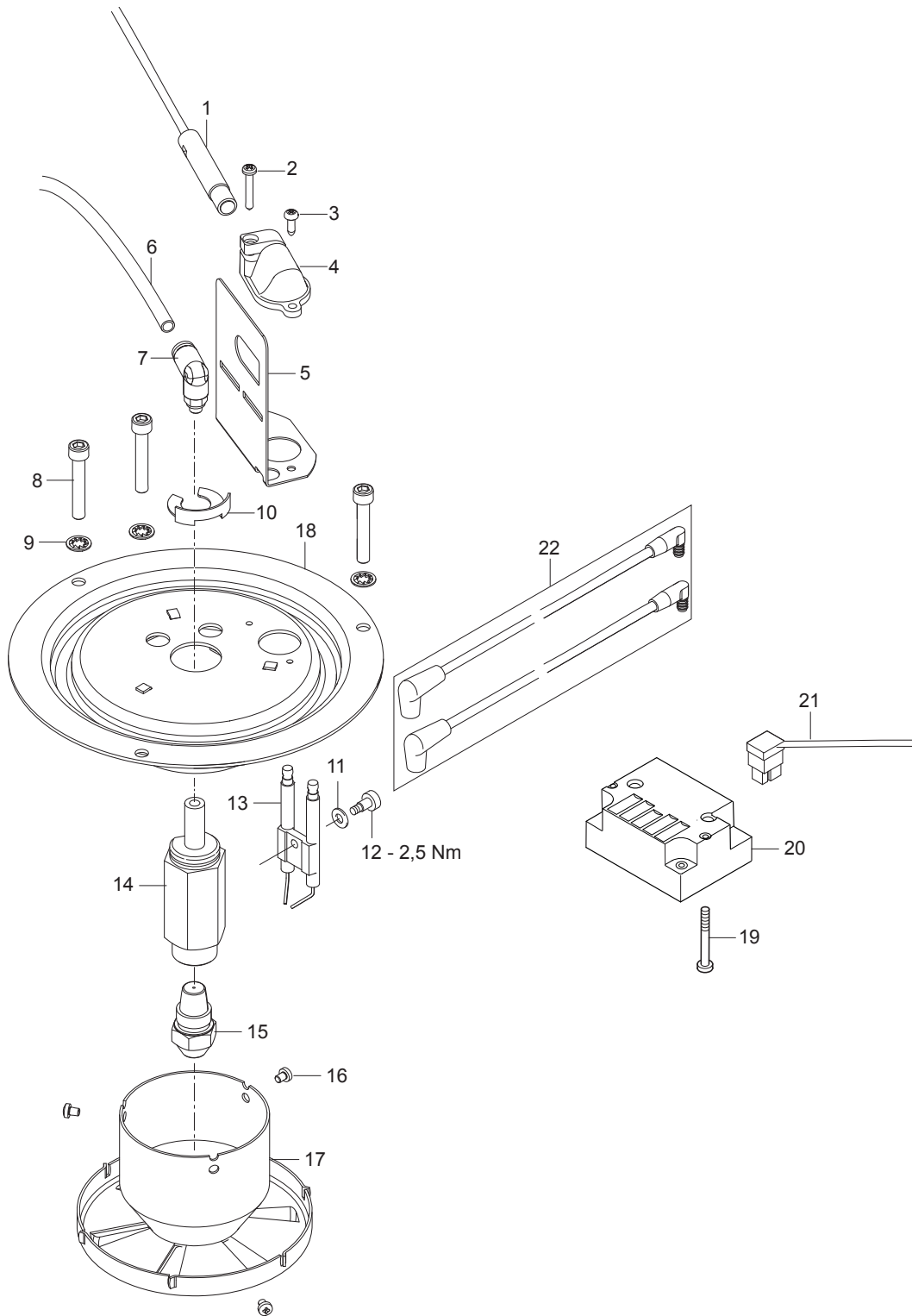


Pos.	Artikel-Nr.	Menge	Variante	Notes
0-	5218433	1	Pumpenöl 150 1x1l	
1	107141609	1	Adapter Ölbehälter C3	
2	107140881	2	SCREW M5X12 DIN 7985 TORX	
3	107140883	1	Sensor Ölbehälter	
3A	107140877	1	Deckel	
4	101406054	1	Dichtung	
5	107140879	1	Öltank	
6	107140882	1	O-Ring 15,0 x 3,0	
7	107141610	1	Schraubadapter C3	
8	6100718	8	Scheibe 10x16x1	
9	6100719	8	Druckring	
10	6301368	8	Stehbolzen	
11	1800465	8	Mutter M10	
12	1802529	4	Sicherungsring 24	
13	6100666	4	Ring	
14	6301166	4	Keramischer Druckkolben	
15	102602517	4	RUECKHOLFEDER C3	
16	6100610	1	Zylinderblock	
17	107120700	4	DruckringStützring	
18	107120701	1	Zylinderkopf C3	
19	6300071	1	Zylinderblock Kompl.	
20	6150400	1	Verschlusspfropfen	
21	106408208	1	KUPFERDICHRING 17X25X1.5	
96	1119310	1	ET-Set Ventile [4x]	
97	1119571	1	Dichtsatz	
98	1119820	1	Reparatursatz Öldichtung	
99	1119570	1	Dichtsatz	





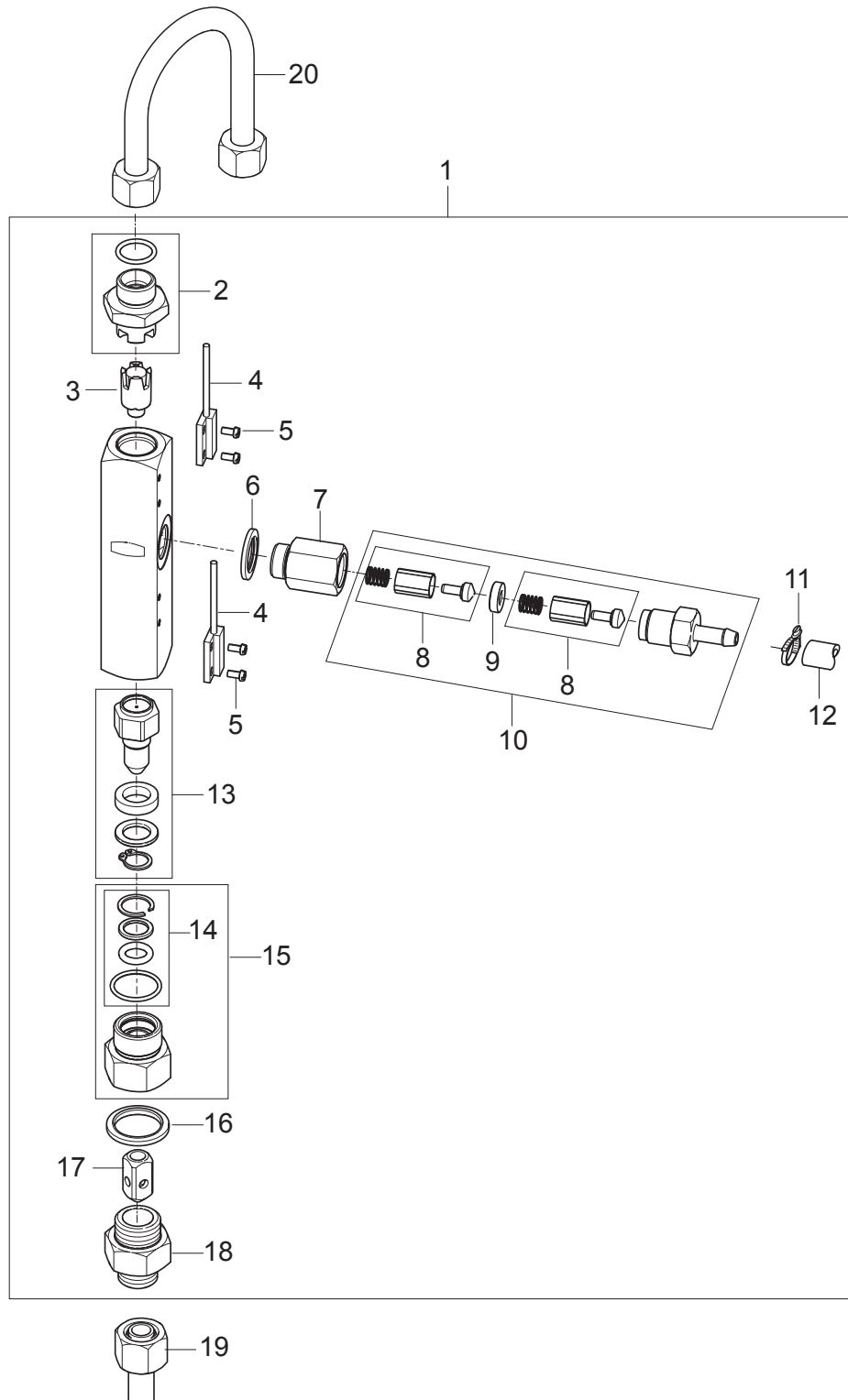
Pos.	Artikel-Nr.	Menge	Variante	Notes
1	107140914	1	WATER REGULATION C3	
2	1802602	1	Schraube M4x 6	
3	101118115	1	Wasserreger Kit C3	
4	6100984	1	Buchse f. Justierspindel	
5	6101069	1	Sicherungsscheibe	
6	3001716	1	O-Ring 35,1x1,6	
7	6101061	1	Kolbenring	
8	1118580	1	Reparatursatz Umlaufventi	
9	101119410	1	Reparatursatz Dichtungen	
10	6100925	1	Kolben	
11	6400143	1	Ventilkegel	
12	2600286	1	Feder	
13	3000460	1	O-RING 11.0X2.0 NITRIL 70SH	
14	3913	1	Zylinderschraube M6x12	
15	6100985	1	Sicherungsscheibe	
16	6100940	1	Einstellschraube	
17	6100928	1	Mutter	
18	1118512	1	Sicherheitsventil	
19	1602333	1	Verschlusschraube G1/8	
20	6101042	1	Ventildeckel	
21	6100996	1	Kegelstift	
22	1800465	8	Mutter M10	
23	6100602	1	Spannring	
24	6301392	1	Abstandsring	
25	1821	1	Verbindungsstück	
26	1600444	1	Verschr. DIN 2353 G X12L	
27	101118178	1	ELBOW MALE/FEMALE 1/2X1/2 BRASS KIT	
28	107143088	1	O-RING 18.72X2.62	
29	107143150	1	WATER INLET MPU C3	
30	107143085	1	LOCK PIN	
31	107143143	1	WATER LIMITER XL	
32	8298	2	Schlauchschelle SGL 16-27	
33	107143031	1	FUELFLEX HOSE D28/D20 10BAR/20°	
34	11654	1	Schlauchklemme 11,5	
35	106408243	1	HOSE 1/4INCH TRANSPARENT - 5 METERS	



Pos.	Artikel-Nr.	Menge	Variante	Notes
1	107143100	1	FLAME SENSOR WITH CABLE	
2	5606	1	Blechschaube 2,9x19	
3	4036	1	Blechschaube 2,9x9,5	
4	301000934	1	Halter	
5	107143101	1	SHIELD FOR FLAME SENSOR	
6	909100141	1	Brennstoffleitung 4x1 mm x 1 m	
7	101117913	1	Winkerverschraubung	
8	3873	3	Schraube M5x30	
9	3376	3	Fächerscheibe 5,3 -A- DIN 6798 VA	
10	101117876	1	Sicherungsring	
11	909100144	1	Federscheibe B5	
12	909100143	1	Schraube M4x4,5	
13	301150009	1	Elektrode	
14	101117915	1	Düsenstock	
15	301001068	1	Öldüse 1,35gal/h 60 H	[1]
15	301000886	1	Düse	[2]
15	101118013	1	Öldüse 2.25 GAL/H	[3]
16	51848	3	Linsenschraube M3x 4 DIN 7985 zn	
17	301001834	1	Stauscheibe	[4]
17	301001833	1	Stauscheibe 90x59,2	[3]
18	301000606	1	Deckel	[5]
19	909100149	2	Ejotschraube K50x50 WN 14	
20	101117759	1	Zündtransformator 220-240	
21	107143098	1	PRIMARY CABLE FOR IGNITION COIL	
22	101118220	1	2 X IGNITION CORDS KIT	

## Part Notes:

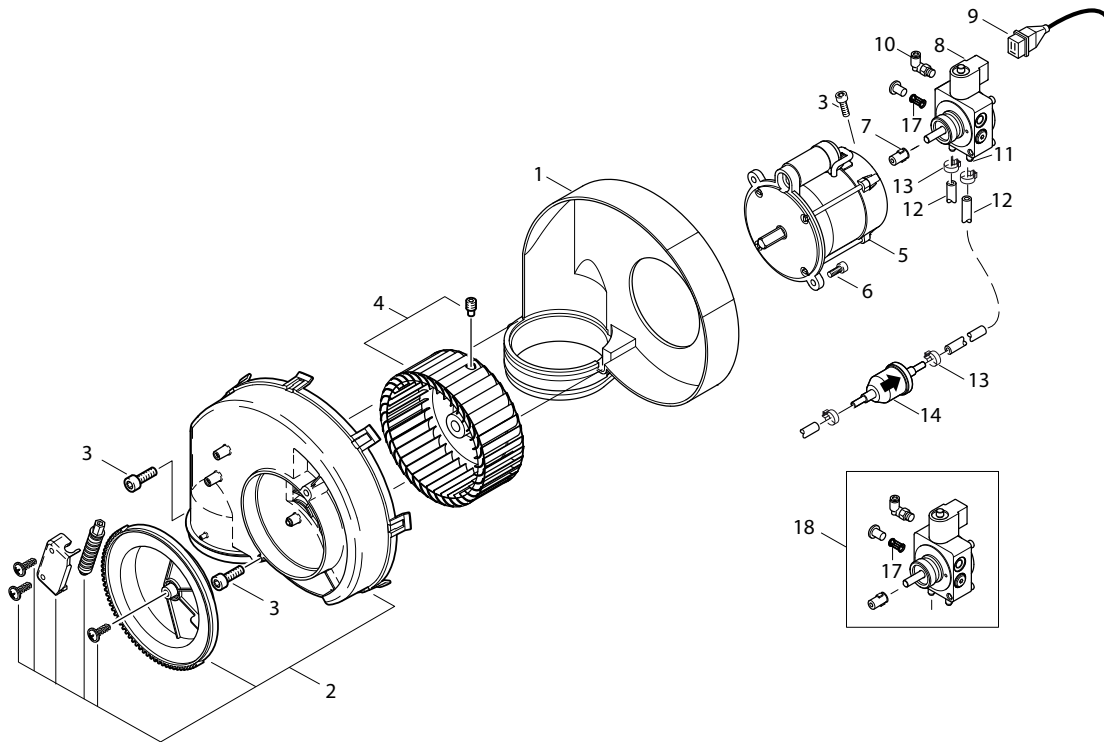
- [1] - MH5M, MH6P-210/1100 JP,  
not MH 5M-100/760 PA
- [2] - MH 5M-100/760 UK
- [3] - MH6, MH7, MH8  
not MH6P-210/1100 JP
- [4] - MH5M, MH6P-210/1100 JP
- [5] - MH5, MH6, MH7



Pos.	Artikel-Nr.	Menge	Variante	Notes
1	101118231	1	FLOW CONTROL CPL. FA KIT	
2	101118190	1	MALE STUD M18X1.5 KIT	
3	101118055	1	MAGNET AND HOUSE FOR FLOW SWITCH-KIT NA6	
4	107143121	2	REED SWITCH NO W/CABLE	
5	101118033	4	SCREW M3X6 BRASS	
6	1801075	1	Dichtring	
7	107143002	1	HOUSE CONNECTOR	
8	1119566	2	Reparatursatz fuer Ruecks	
9	6201535	1	Sitz	
10	1119318	1	Rep.satz Rueckschlagventi	
11	11654	2	Schlauchklemme 11,5	
12	101406100	0.92	Schlauch 6x3 mm x 5 m	
13	101117896	1	Rückschlagventil mit	[1]
14	101118191	1	SEALING KIT FOR MALE STUD	
15	101118230	1	MALE STUD F.NON-RET.VALVE 1/2	
16	1807932	1	Dichtring	
17	6101038	1	Kolben	
18	107143155	1	PISTON HOUSING 1/2" - M18X1.5	
19	107143139	1	PIPE MPU/FLOW CONTROL NA5-NA6	[2]
19	107143141	1	PIPE MPU/FLOW CONTROL C3	[3]
20	107143132	1	PIPE FLOW CONTROL NA5FA-NA6/B5	[4]
20	107143138	1	PIPE FLOW CONTROL NA6-NA6+C3/B7	[5]

## Part Notes:

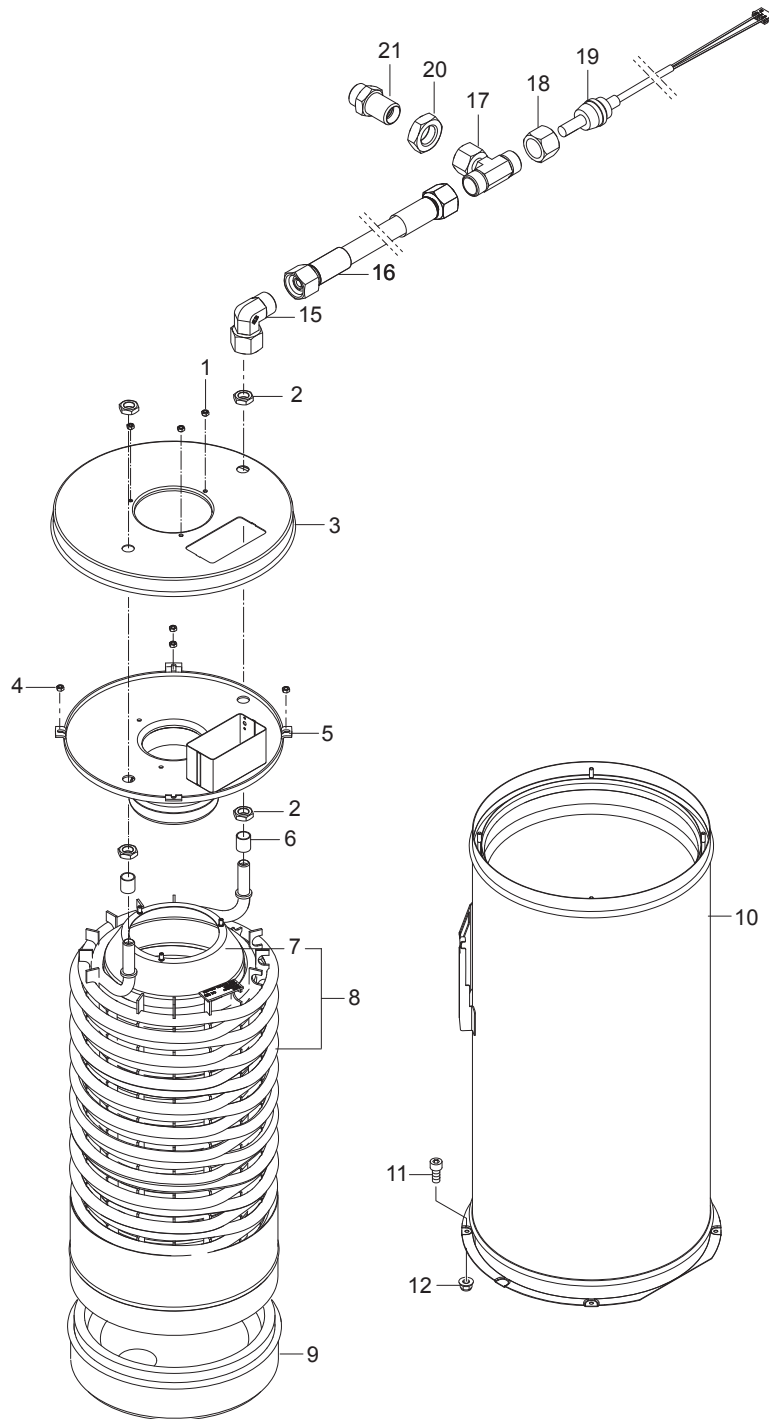
- [1] - TSB-PPW-2016-012 MH 4M FA None return valve 101117896 get stocked  
DE TSB-PPW-2016-012 MH 4M FA Strömungskolben 101117896 blockiert
- [2] - MH5, MH6
- [3] - MH7
- [4] - MH5, MH 6P-175/1250, MH 6P-210/1100
- [5] - MH 6P-200/1300, MH 6P-195/1350 , MH7



Pos.	Artikel-Nr.	Menge	Variante	Notes
1	301000495	1	Lüftergehäuse	
2	301000852	1	Abdeckung	
3	32535	3	Zylinderschraube M5x16	
4	301000889	1	Lüfterrad	[1]
4	301002126	1	Lüfterrad	[2]
5	107143096	1	MOTOR BURNER - 0.23KW/230V/50HZ/1PH	[1]
5	107143097	1	MOTOR BURNER 390W/200-240V/50/60HZ	[2]
6	4697	2	Zylinderschraube M6x16	
7	101117707	1	Verbindungskupplung	
8	3821089	1	Spule,m. Mutter und Schei	
9	107143095	1	CABLE FOR SOLENOID VALVE 2X0.5	
10	101117706	1	Winkelverschraubung	
11	101117777	1	Schlauchverbindung zur Öl	
12	106408244	1	HOSE D6X2.5 - 5 METERS	
13	301001133	2	Schlauchklemme 10/7	
14	301002926	1	Filter	
17	31001081	1	FILTER FOR OIL PUMP	
18	101117673	1	Ölpumpe komplett	

## Part Notes:

- [1] - MH 5M-210/1100 FA 400/3/50 Gerni, MH 5M-210/1100 FAX 400-230/3/50 NO, MH 6P-175/1250 FAX 400/3/50 EUMH 6P-200/1300 FAX 400/3/50 EU, MH 7P-180/1260 FA 400/3/50 EU
- [2] - MH 5M-210/1100 FA 440-220/3/60 EXPT, MH 6P-210/1100 FA 200/3/50-60 JP, MH 6P-195/1350 FA 440-220/3/60 EXPT, MH 7P-180/1260 FA 200/3/50-60 JP





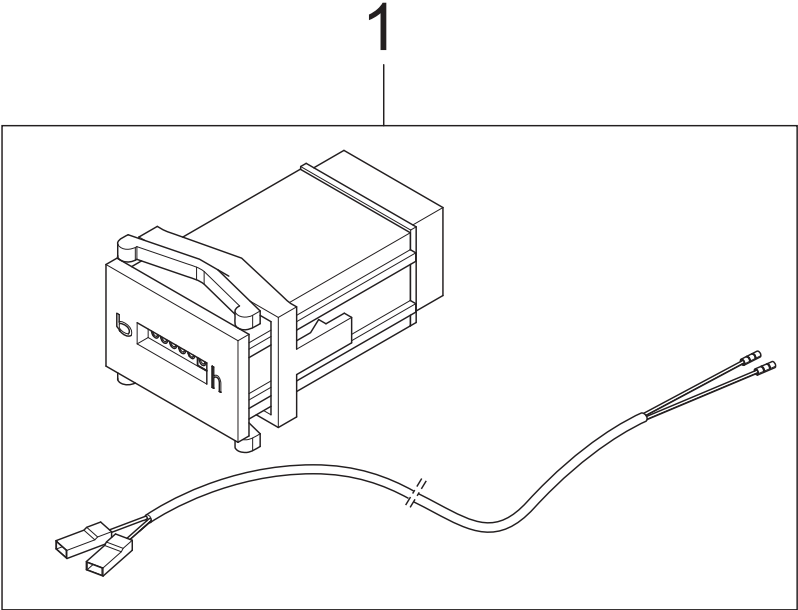
Pos.	Artikel-Nr.	Menge	Variante	Notes
1	3136	3	Sechskantmutter M6 ISO 4032 zn	
2	7012	4	Mutter 6kt M18x1,5	
3	31001162	1	OUTER BOILER TOP B5 - B7	
4	12263	4	Sechskantmutter M6	
5	31001166	1	INSIDE BOILER TOP CPL. B7	
6	301000582	2	Hülse	
7	301000541	1	Abgasführungshaube	
8	31001167	1	COIL WELDED B7	
8	301001342	1	Heizschlange-Set VA Ne	
9	301000916	1	Isolierung	
10	31001168	1	JACKET CPL. B7	
11	4697	2	Zylinderschraube M6x16	
12	11619	2	Sechskantmutter M6 ISO7042 A2K	
15	101118094	1	Kupplungssatz 90D ISO	
16	106268112	1	HP HOSE DN10 L625MM SPARE PART	
17	101118093	1	Verbindungsstück	
18	1081	1	Überwurfmutter DIN 3870-A L 12 St/zn	
19	107143083	1	TEMPERATUR SENSOR PT100 W/CABLE	
20	1803220	1	Mutter M18x1,5 I	
21	107143082	1	OUTLET FITTING	



Pos.	Artikel-Nr.	Menge	Variante	Notes
1	106403154	1	ERGO 2000 SPRAY GUN W/O LOGO ACC.	[1]
3	106403011	1	TORNADO PLUS 1000 gebogen	[2]
4	61369	1	Schlauchtülle ø20 R3/4" vormontiert CuZn	
5	101119748	1	HD-Düse 0700 TORNADO	
6	6101767	1	HD-Schlauch DN10x10m SL	[3]
7	1401991	1	HD-Schlauch DN10x20m 3/8	[4]

## Part Notes:

- [1] - ERGO 2000 Spray handle
- [2] - TORNADO PLUS lance
- [3] - MH6, MH7 without hose reel  
HOSES Overview
- [4] - Accessory - with hose reel (X-tra)  
HOSES Overview

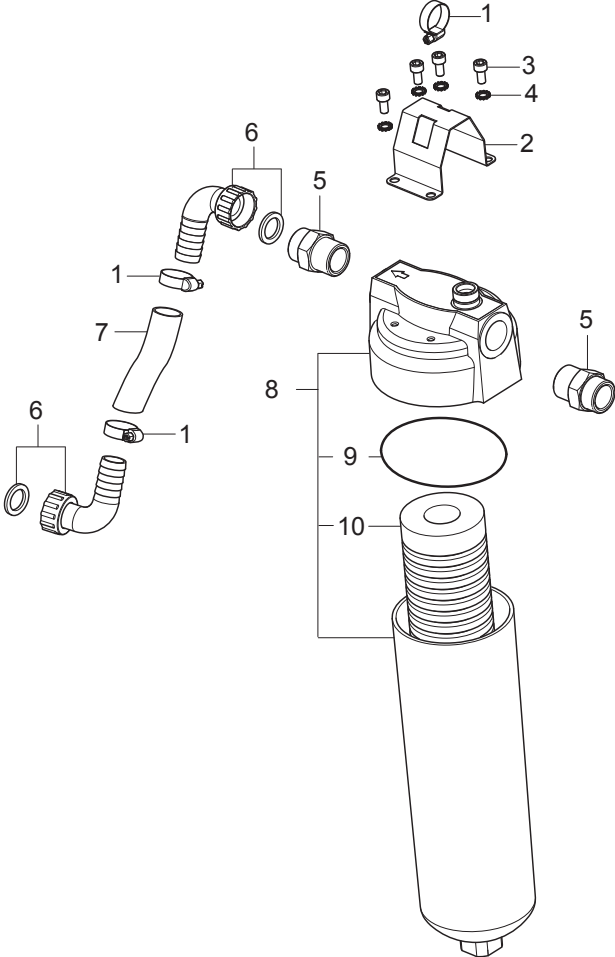


---

Pos.	Artikel-Nr.	Menge	Variante	Notes
1	106403183	1	HOUR COUNTER 50HZ (MECHANICAL) ACCESSORY	
2		1	Mounting Instructions	[1]
3		1	Wiring diagram MH Hour counter	[2]

## Part Notes:

- [1] - MI\_MH Hour counter
- [2] - WD\_MH hour counter



Pos.	Artikel-Nr.	Menge	Variante	Notes
0	106403181	1	SAND FILTER ATTACHMENT ACCESSORY	
1	8298	3	Schlauchselle SGL 16-27	
2		1	Bracket for sandfilter	
3	3913	4	Zylinderschraube M6x12	
4		4	Washer Serrated M6 - 6.4x11 DIN 6798A	
5	1605989	2	Nippel	
6	107143084	2	HOSE COUPLING 90° 20X3/4 PP W/NUT/GASKET	
7	107143031	1	FUELFLEX HOSE D28/D20 10BAR/20°	
8	1604461	1	Wasserfilter 50m CON	
9	3004248	1	O-RING 88,5 x 3,53	
10	1104041	1	Filterpatrone für Fein-	
		1	Mounting instruction SANDFILTER	[1]

## Part Notes:

- [1] - Mounting instructions MH Nilfisk Sandfilter

