

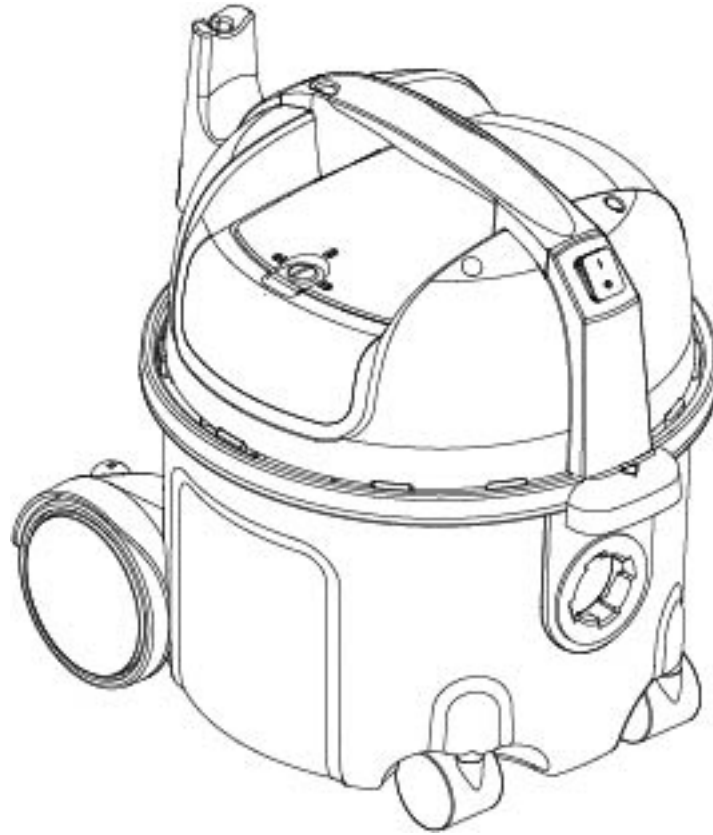
Hotline: 0 73 03 / 901 980

R O B E
Reinigungsmaschinen

Zur Aumühle 36 | 89257 Illertissen
Tel.: 0 73 03 / 901 980 | Fax 0 73 03 / 901 981 8
info@wap-nilfisk-alto-shop.de

www.wap-nilfisk-alto-shop.de

PARTS LIST

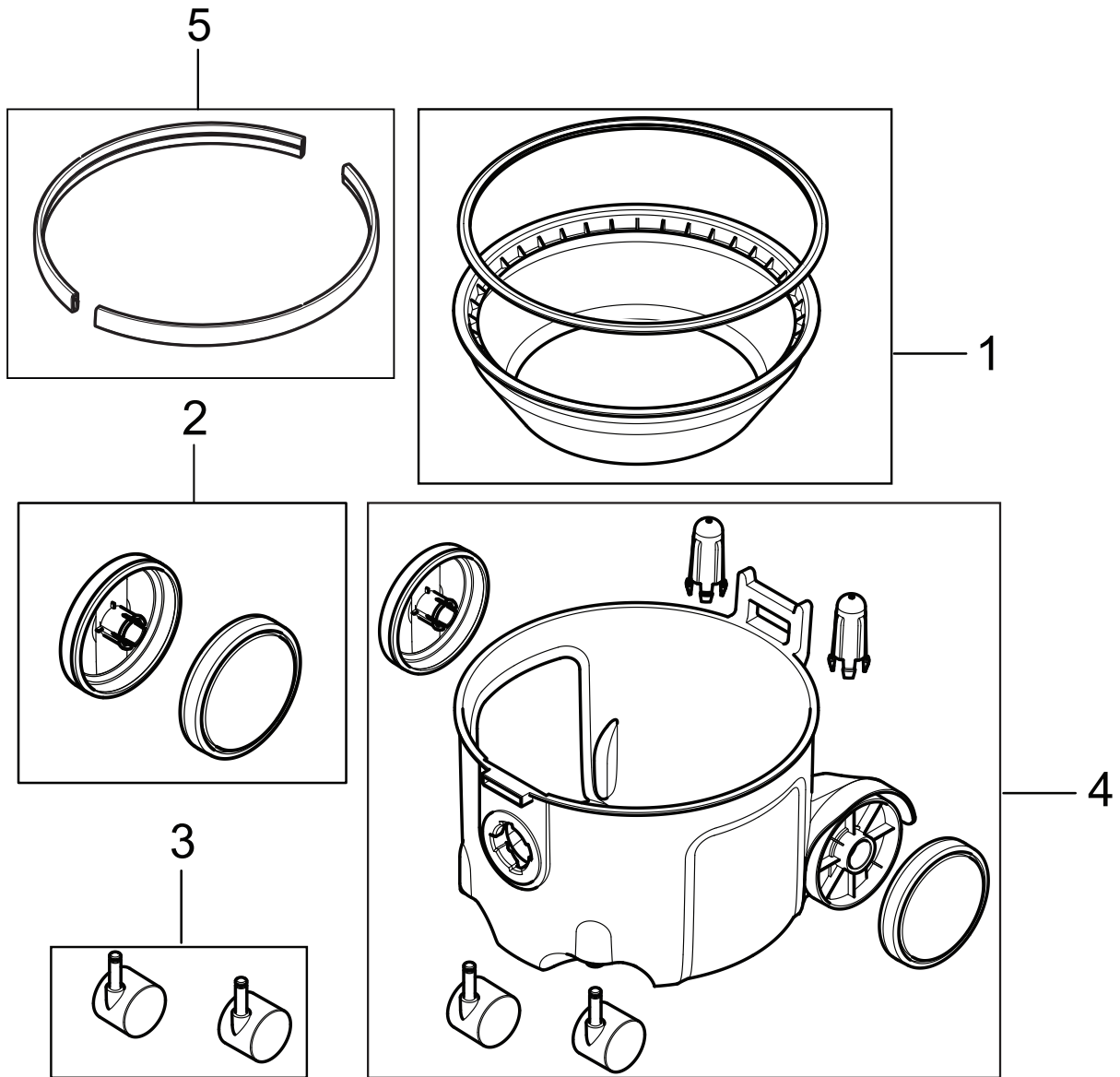


2023.08.23

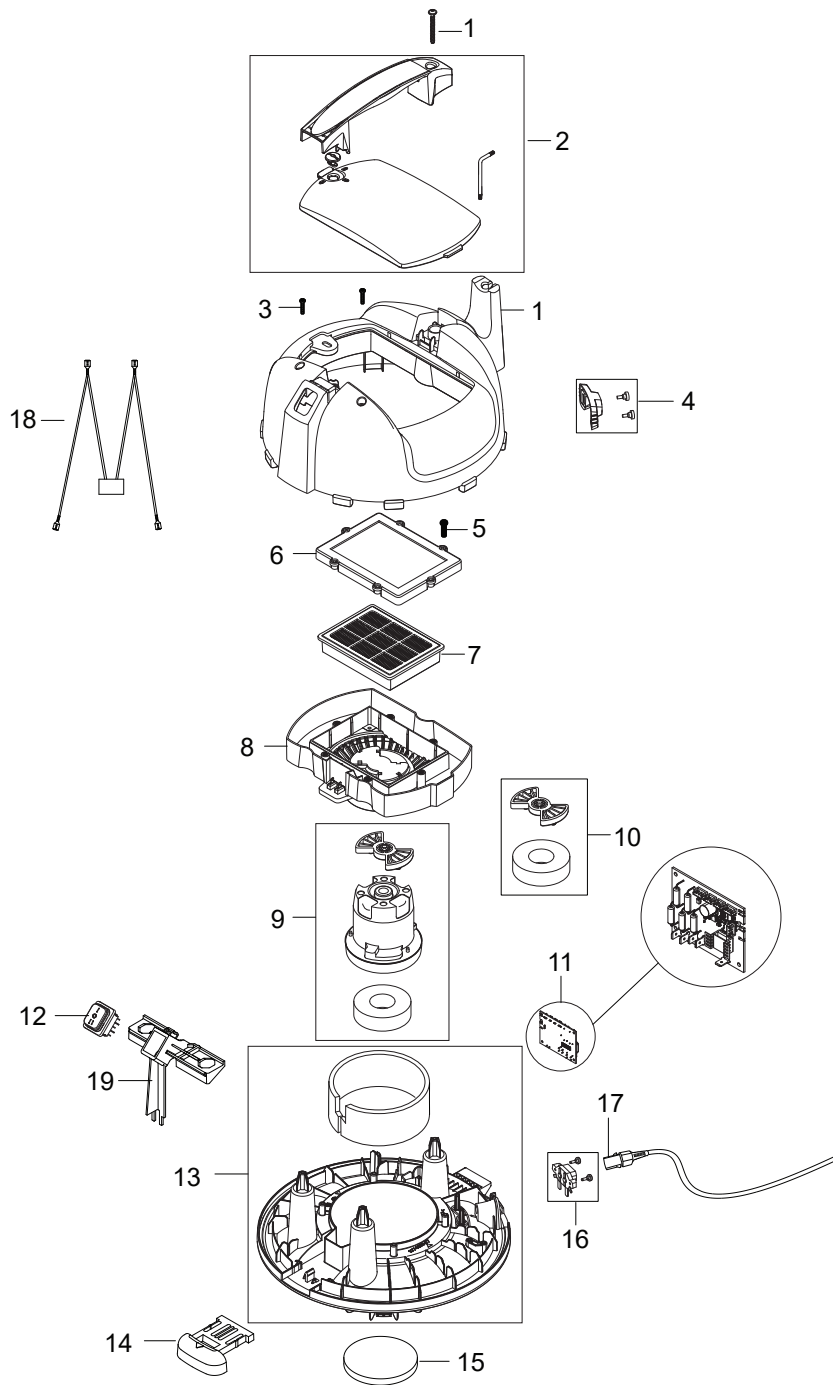
NILFISK

TABLE OF CONTENTS

Container.....	1
Overview_Dual_Detach.....	3
Overview_Single_Detach.....	5
Overview_Single_Fix.....	7
Accessories.....	9



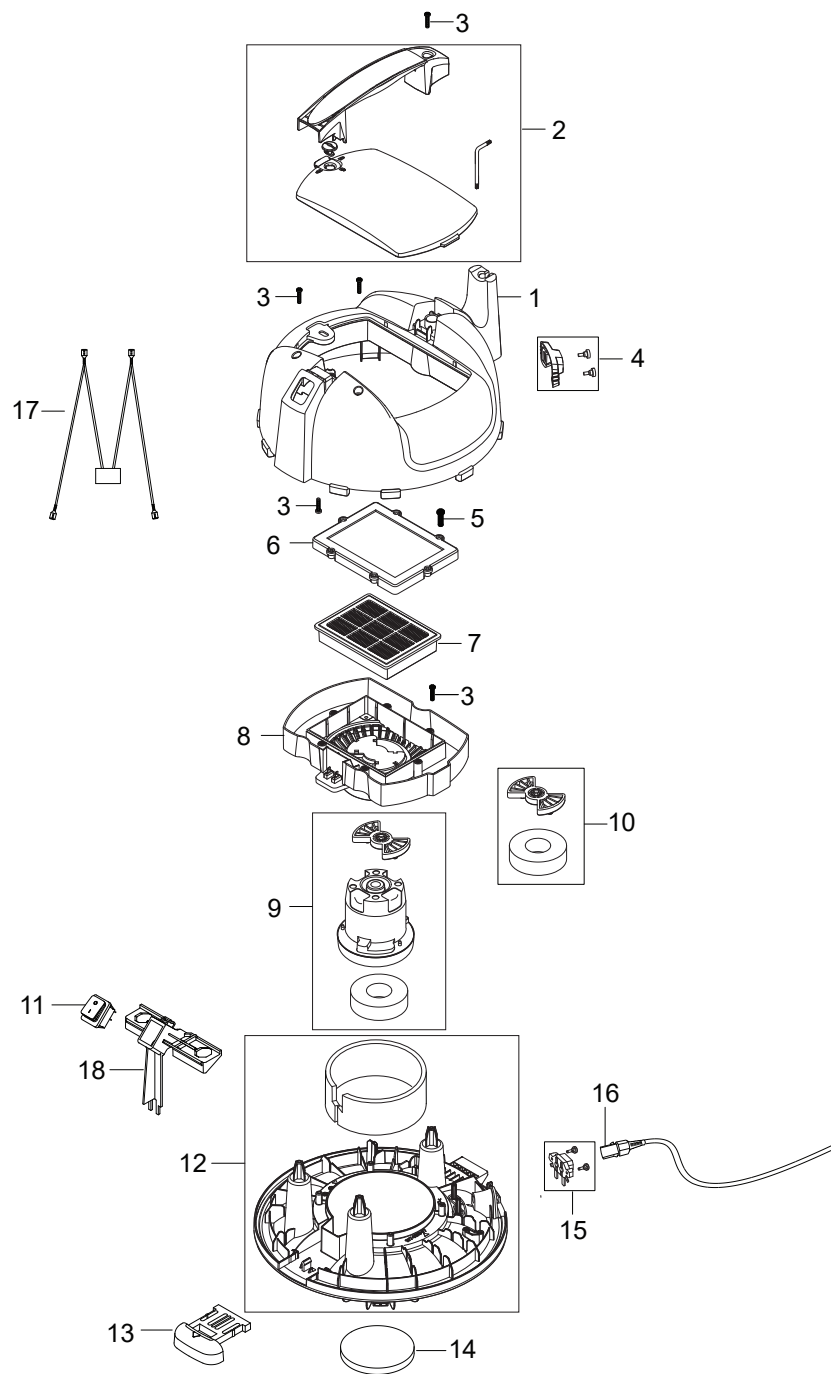
Pos.	Artikel-Nr.	Menge	Variante	Notes
1	147 1432 500	1	Sackfilter	
2	140 8458 500	1	Rad hinten (2 Stück)	
3	140 6422 500	1	Lenkrolle 2 stk.	
4	107406056	1	Behälter VP300	
5	107410399	1	BUMPER LIGHT GREY SET	



Pos.	Artikel-Nr.	Menge	Variante	Notes
	107401701	1	CARTON BOX VP300 / SALTIX 10	
	107406186	1	BOX ACCESSORY VP300	
0	107419093	1	VP300 HEPA LABEL 10PCS KIT	
1	107418920	1	UPPER COVER DC	
2	107418801	1	HANDLE AND FILTER PANEL KIT	
3	107419089	1	SCREW PT K40X20 COMBI TORX KIT	
4	107402674	1	Klemmteil	
5		6	Torx 20 screw M4x20	
6	107418809	1	HEPA SUPPORT FRAME	
7	147 1250 500	1	HEPA FILTER H13	
8	107418810	1	MOTOR CAP KIT	
9	107418812	1	MOTOR 800W	
10	107418811	1	MOTOR SUSPENSION KIT	
11	107418805	1	PCB KIT VP300	
12	107418804	1	SWITCH 1-0-2 DOUBLE POLE 16A	
13	107418807	1	CHASSIS DC VP300	
14	147 1409 500	1	Verschlussriegel	[1]
15	147 0670 500	1	Motorfilter	
16	107416423	1	Anschluss-Steckd 10A 250V	
17	107402676	1	Netzkabel 10 m, abnehmbar, orange	
17	107402901	1	Netzkabel 15 m, abnehmbar, orange	
17	107402677	1	DETACH CORD SET 10M ORANGE UK	
18	107418815	1	SUPRESSOR UNIT 2 SPEED	
19	147 1447 000	1	HOLDER SWITCH	

Part Notes:

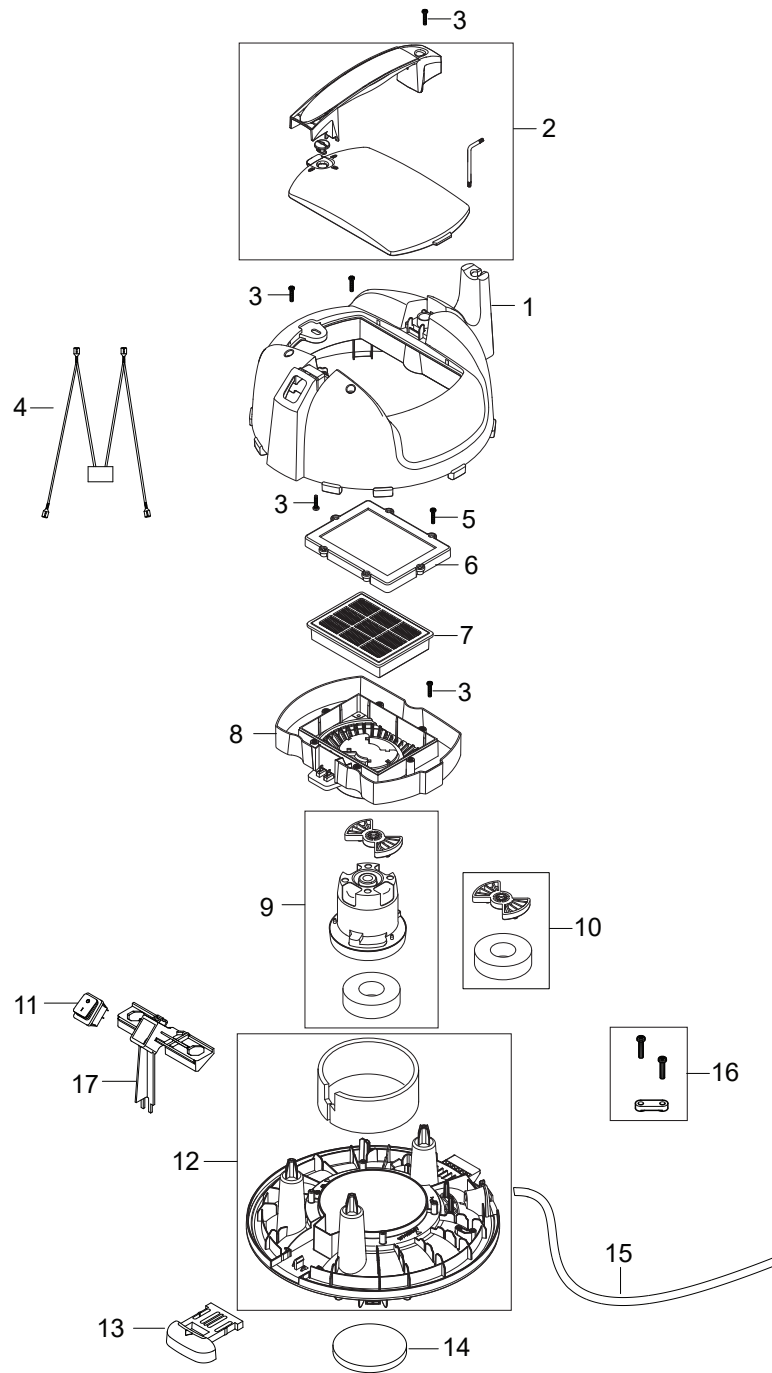
- [1] - TSB-VAC-2022-003 VP300 latch
DE TSB-VAC-2022-003 VP300 Behälterverriegelung bricht



Pos.	Artikel-Nr.	Menge	Variante	Notes
	107401701	1	CARTON BOX VP300 / SALTIX 10	
	107406186	1	BOX ACCESSORY VP300	
1	107418920	1	UPPER COVER DC	
2	107418801	1	HANDLE AND FILTER PANEL KIT	[1]
3	107419089	1	SCREW PT K40X20 COMBI TORX KIT	
4	107402674	1	Klemmteil	
5		6	Torx 20 screw M4x20	
6	107418809	1	HEPA SUPPORT FRAME	
7	147 1250 500	1	HEPA FILTER H13	
8	107418810	1	MOTOR CAP KIT	
9	107418812	1	MOTOR 800W	
10	107418811	1	MOTOR SUSPENSION KIT	
11	140 9537 500	1	Kippschalter GD320 2StkGWD 300-Serie	
12	107418807	1	CHASSIS DC VP300	[1]
13	147 1409 500	1	Verschlussriegel	[2]
14	147 0670 500	1	Motorfilter	
15	107416423	1	Anschluss-Steckd 10A 250V	
16	107402676	1	Netzkabel 10 m, abnehmbar, orange	
16	107402901	1	Netzkabel 15 m, abnehmbar, orange	
16	107402677	1	DETACH CORD SET 10M ORANGE UK	
17	107418814	1	SINGLE SPEED SUPPRESSOR UNIT	
18	147 1447 000	1	HOLDER SWITCH	

Part Notes:

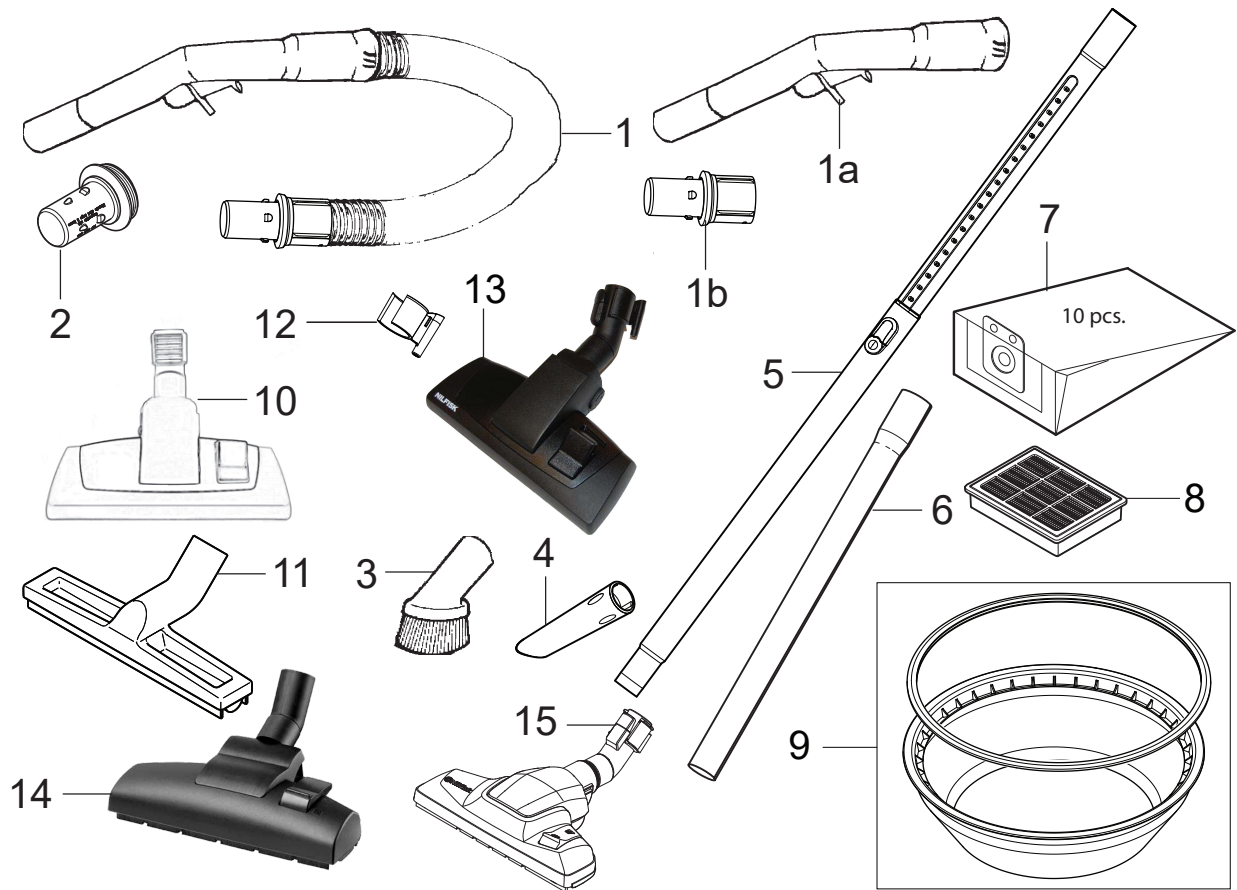
- [1] - Silver grey
- [2] - TSB-VAC-2022-003 VP300 latch
DE TSB-VAC-2022-003 VP300 Behälterverriegelung bricht



Pos.	Artikel-Nr.	Menge	Variante	Notes
	107401701	1	CARTON BOX VP300 / SALTIX 10	
	107406186	1	BOX ACCESSORY VP300	
1	107418919	1	UPPER COVER FC	
2	107418801	1	HANDLE AND FILTER PANEL KIT	[1]
3	107419089	1	SCREW PT K40X20 COMBI TORX KIT	
4	107418814	1	SINGLE SPEED SUPPRESSOR UNIT	
5		6	Torx 20 screw M4x20	
6	107418809	1	HEPA SUPPORT FRAME	
7	147 1250 500	1	HEPA FILTER H13	
8	107418810	1	MOTOR CAP KIT	
9	107418812	1	MOTOR 800W	
9	107418813	1	FAN UNIT 400W	[2]
10	107418811	1	MOTOR SUSPENSION KIT	
11	140 9537 500	1	Kippschalter GD320 2StkGWD 300-Serie	
12	107418806	1	CHASSIS FC VP300	[1]
13	147 1409 500	1	Verschlussriegel	[3]
14	147 0670 500	1	Motorfilter	
15	140 6800 650	1	Netzabel fest 10m	
15	140 6643 580	1	CORD SET 10.5M UK	
16	107418915	1	ANTI-STRAIN CLIP KIT	
17	147 1447 000	1	HOLDER SWITCH	

Part Notes:

- [1] - Silver grey
- [2] - ECO
- [3] - TSB-VAC-2022-003 VP300 latch
DE TSB-VAC-2022-003 VP300 Behälterverriegelung bricht



Pos.	Artikel-Nr.	Menge	Variante	Notes
1	107415116	1	Saugschlauch kpl. antist., schwarz 2,5m	
1	147 0765 500	1	Saugschlauch kpl. Ø 32 mmx2,5 m	
1a	107417894	1	BENT END AND CONNECTOR FOR D32	
1b	107416215	1	HOSE CONNECTION ABS	
2	107401199	1	Numatic Adapter, Vpe 20Stk.	
3	140 8244 500	1	Pinseldüse Ø 32 mm	
4	147 0146 500	1	Konische Düse Ø 32 mm	
5	011 8130 500	1	Teleskoprohr Alu Ø 32 mm	
5	107403804	1	Teleskoprohr Ø 32mm	
6	011 6431 500	2	Verlängerungsrohr Alu Ø 32x500 mm	
6	140 8246 040	2	Verlängerungsrohr Ø 32 x 450 mm, stahl	
7	140 8618 000	1	Filtersack 10 Liter, VPE 10	
7	82367820	1	Staubbeutel Vlies 10 Liter, VPE 10	
8	147 1250 500	1	HEPA FILTER H13	
9	147 1432 500	1	Sackfilter	
10	140 8492 520	1	Kombibodendüse RD295 m. Clip, Ø 32 mm	
10	140 8492 510	1	Rollen-Kombibodendüse Ø 32 mm	
11	140 6700 540	1	Hartbodendüse Ø 32 mm	
12	147 0585 500	1	Verstauklemme schwarz	
13	107417790	1	Kombibodendüse RD295P mit Clip	
	107413075	1	Kombidüse Ø 32x292mm	
14	107411677	1	Kombibodendüse Ø 32x270 mm	
15	107418965	1	NA38 COMBI NOZZLE WO CLICK KIT	[1]
	107418480	1	COMVAC KIT 1 ERP 2017	
	107418481	1	COMVAC KIT 2 ERP 2017	

Part Notes:

[1] - Only Eco

