

NEPTUNE 3



Spare parts
Ersatzteile
Pièces détachées
Reservedele

301001819 - 2007-04-16



Hotline: 0 73 03 / 901 980

Zur Aumühle 36 | 89257 Illertissen
Tel.: 0 73 03 / 901 980 | Fax 0 73 03 / 901 981 8
info@wap-nilfisk-alto-shop.de

www.wap-nilfisk-alto-shop.de

Nilfisk ALTO

Why Compromise

**Wap
KEW**

TECHNOLOGIES

Zeichenerklärung

Key to symbols

Légende

Symbol erklæring

Recommended spare parts

A-Parts:

High turning parts. Recommended stock size is: [Number of machines sold x 0.02] or minimum 1.
These parts are typical: Water seals, valves, etc.

B-Parts:

Medium turning parts. Recommended stock size is: [Number of machines sold x 0.01] or minimum 1.
These parts are typical: By-pass valves, safety valves, seal kit, hoses, wobble disc bearings, etc.

C-Parts:

Low turning parts. Recommended stock size is: Minimum 1.
These parts are typical: Electric parts, motors, transformers, relays, fuses, cylinder head, etc.

Empfohlene Ersatzteile

A-Teile:

Teile mit hoher Umschlagshäufigkeit. Empfohlene Lagerstückzahl: [Anzahl der verkauften Maschinen x 0,02] oder Minimum 1.
Diese Teile sind typisch: Wasserdichtungen, Ventile, etc.

B-Teile:

Teile mit mittlerer Umschlagshäufigkeit. Empfohlene Lagerstückzahl: [Anzahl der verkauften Maschinen x 0,01] oder Minimum 1.
Diese Teile sind typisch: Umlaufventile, Sicherheitsventile, Dichtungssätze, Schläuche, Taumelscheibenlager, etc.

C-Teile:

Teile mit niedriger Umschlagshäufigkeit. Empfohlene Lagerstückzahl: Minimum 1.
Diese Teile sind typisch: Elektrische Teile, Motoren, Transformatoren, Relais, Sicherungen, Zylinderköpfe, etc.

Liste de pièces à stocker

Pièces-A:

Pièces de rechange de la vitesse de rotation haute. Le stock conseillé est : [Nombre de machines acheteés x 0,02] avec un minimum de 1.

Classiquement, ces pièces sont : les joints d'eau, les clapets, etc.

Pièces-B:

Pièces de rechange de la vitesse de rotation moyenne. Le stock conseillé est : [Nombre de machines acheteés x 0,01] avec un minimum de 1.

Classiquement, ces pièces sont : la vanne by-pass, les kits de joints, les flexibles, les roulements de disque oblique, etc.

Pièces-C:

Pièces de rechange de la vitesse de rotation bas. Le stock conseillé est : Un minimum de 1.

Classiquement, ces pièces sont : composants électriques, moteurs, transformateurs, relais, fusibles, culasses, etc.

Anbefalede reservedele

A-Parts:

Dele med høj omsætningshastighed. Anbefalet lagerstørrelse: [Antal maskiner solgt x 0,02] eller minimum 1.

Disse dele er typisk: Vandmanchetter, ventiler m.v.

B-Parts:

Dele med middel omsætningshastighed. Anbefalet lagerstørrelse: [Antal maskiner solgt x 0,01] eller minimum 1.

Disse dele er typisk: By-pass ventiler, sikkerhedsventiler, manchet kit, slanger, skråskive lejer m.v.

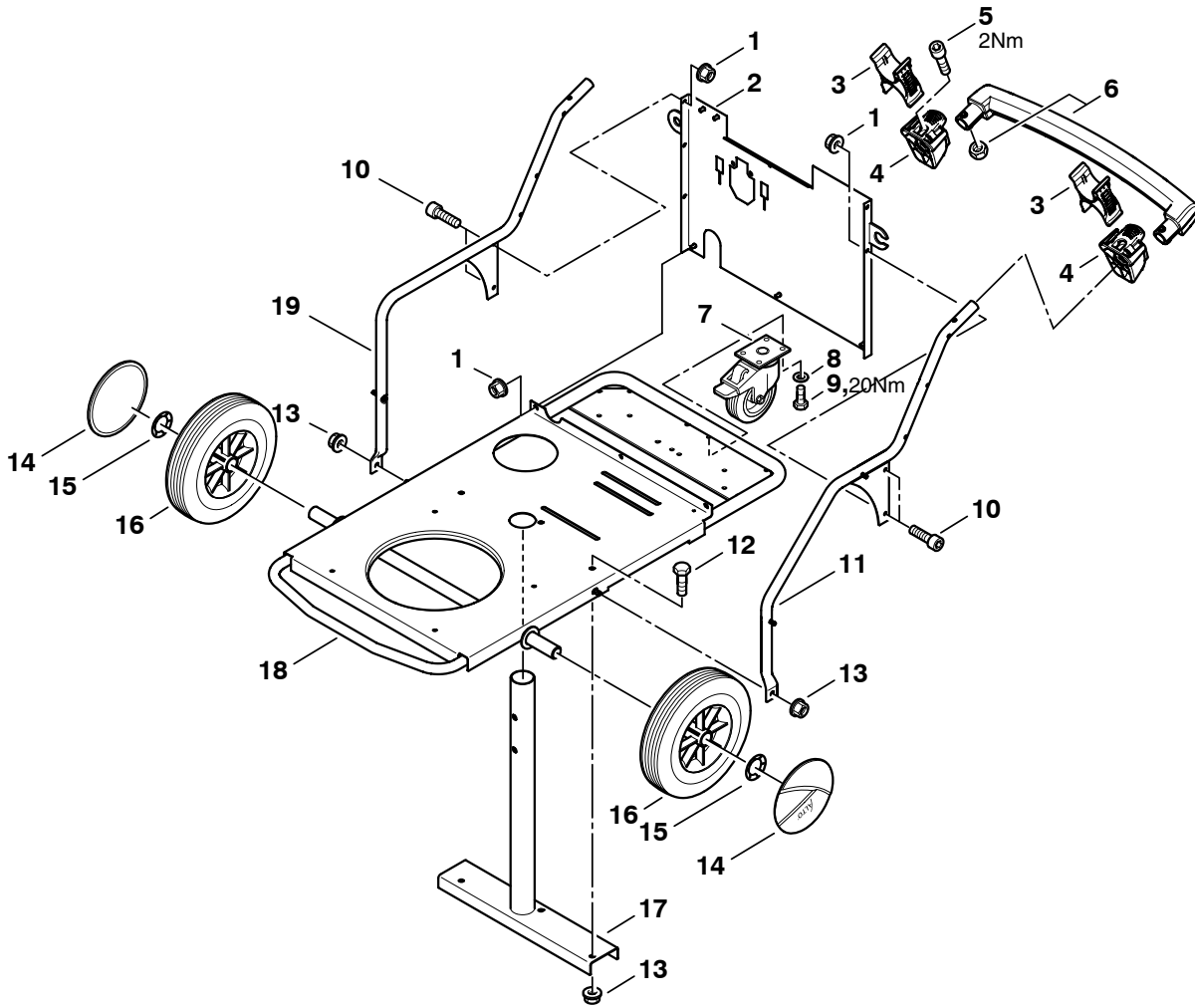
C-Parts:

Dele med lav omsætningshastighed. Anbefalet lagerstørrelse: Minimum 1.

Disse dele er typisk: Elektriske dele, motorer, transformere, relæer, sikringer, topstykke m.v.

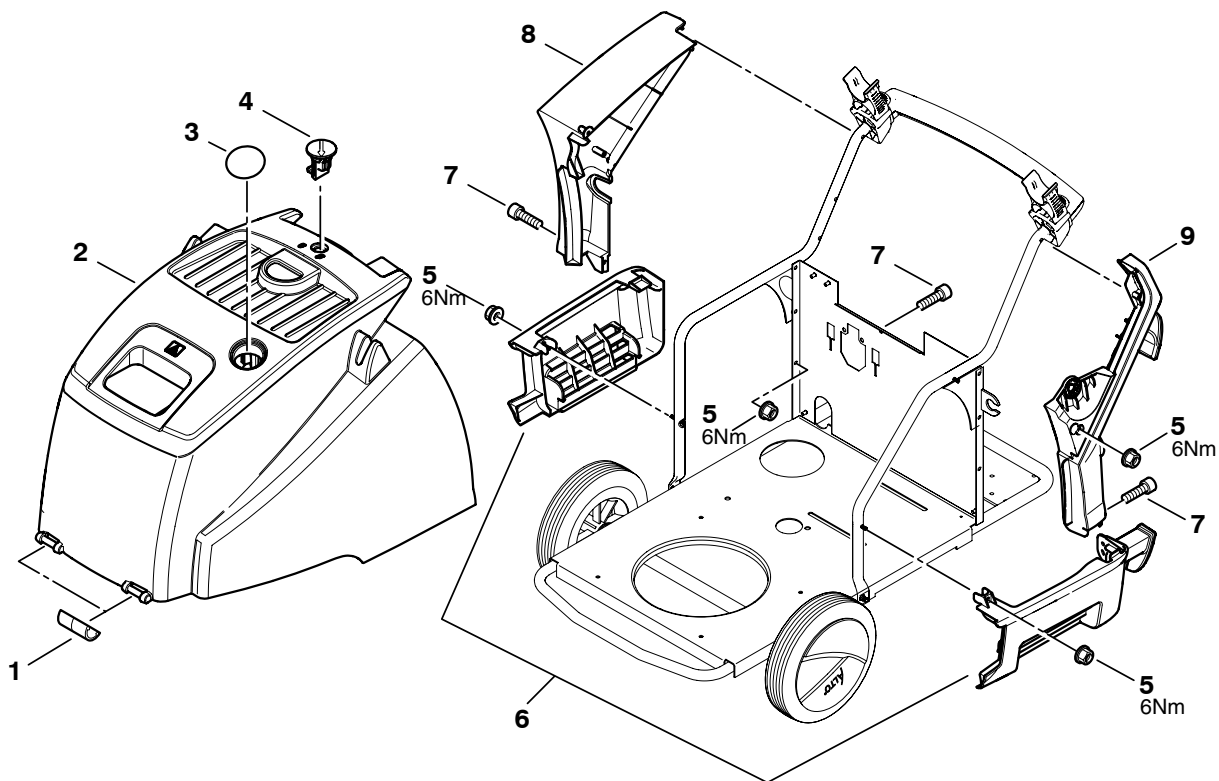
- ◇ ACHTUNG! - Meterware - Bitte bei Bestellung gewünschte Länge angeben!
ATTENTION! - Lengths in metres - Please indicate required length when ordering!
ATTENTION! - Longueurs par mètre - Préciser la longueur à la commande!
BEMÆRK! - Meterware - Ved bestilling venligst opgive den ønskede længde!

- | | |
|-----------------|--------------|
| * bestehend aus | ● beinhaltet |
| consisting of | includes |
| composé de | inclus |
| bestående af | inkludere |



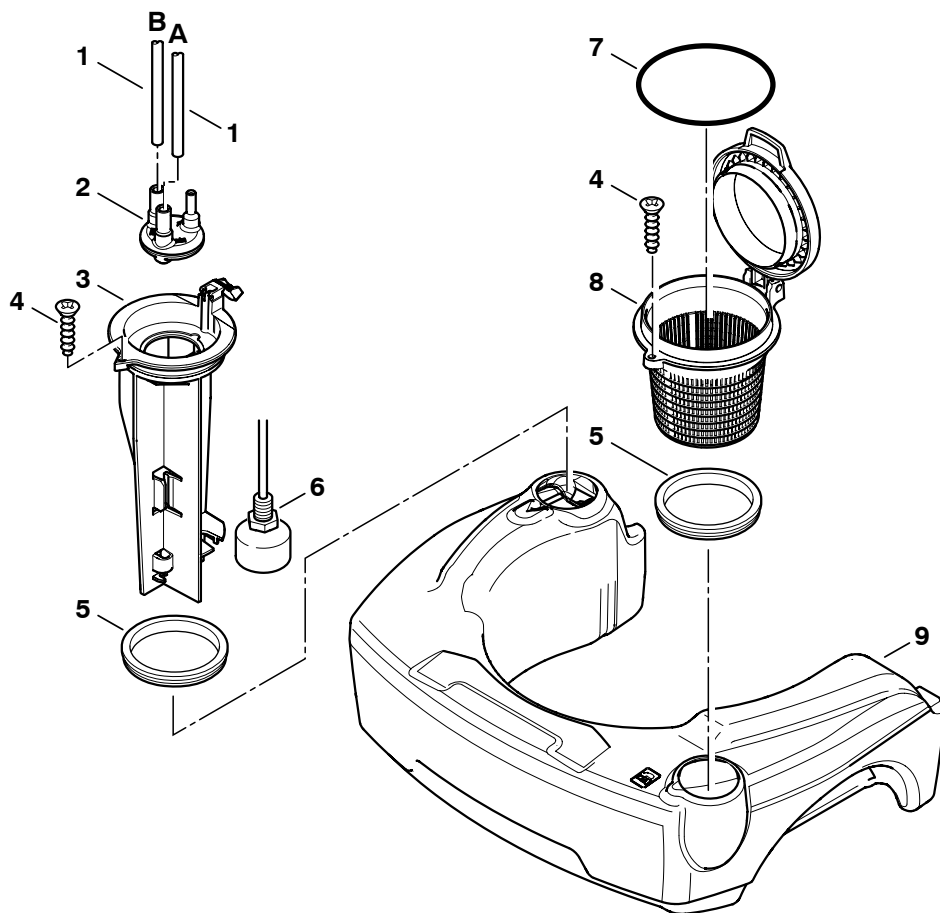
Neptune3-01R

| Pos. | No. | Description | Bezeichnung | Comment Bemerkung Bemærkning | Rec. Part NEPTUNE 3 |
|------|-----------|-------------------------|-------------------------|------------------------------------|------------------------|
| 1 | 12496 | Hexagon Nut M6 | Sechskantmutter M6 | | 7 |
| 2 | 301001256 | Rear Wall 487x394x21 | Schottwand 487x394x21 | | 1 |
| 3 | 301001284 | Lance Holder | Lanzenhalter | | 2 |
| 4 | 301001283 | Holder-lance | Aufnahme | | 2 |
| 5 | 5945 | Screw M6x30 | Zylinderschraube M6x30 | | 2 |
| 6 | 301000447 | Handle cpl. | Griffschale | | 1 |
| 7 | 301001547 | Castor Ø100 | Lenkrolle Ø100 | | 1 |
| 8 | 2762 | Washer 8,4x1,6 | Scheibe 8,4x1,6 | | 4 |
| 9 | 5370 | Screw M8x10 | Sechskantschraube M8x10 | | 4 |
| 10 | 3913 | Screw M6x12 | Zylinderschraube M6x12 | | 4 |
| 11 | 301001251 | Tube Frame Left | Rahmen Links | | 1 |
| 12 | 8942 | Countersunk Screw M8x16 | Senkschraube M8x16 | Option | 3 |
| 13 | 61467 | Hexagon Nut M8 | Sechskantmutter M8 | | 5 |
| 14 | 301001076 | Wheel Cap Ø180 | Radkappe Ø180 | | 2 |
| 15 | 1813799 | Spring Plate Washer | Federtellerscheibe | | 2 |
| 16 | 301000989 | Wheel Ø250x75 | Rad Ø250x75 | | 2 |
| 17 | 301001267 | Central Tube | Zentralrohr Geschw. | Option | 1 |
| 18 | 301002481 | Base frame | Grundrahmen | | 1 |
| 19 | 301001252 | Tube frame right | Rahmen rechts | | 1 |
| 19 | 301002488 | Frame right | Rahmen rechts | 3-25 110/1/50 *GB* | 1 |



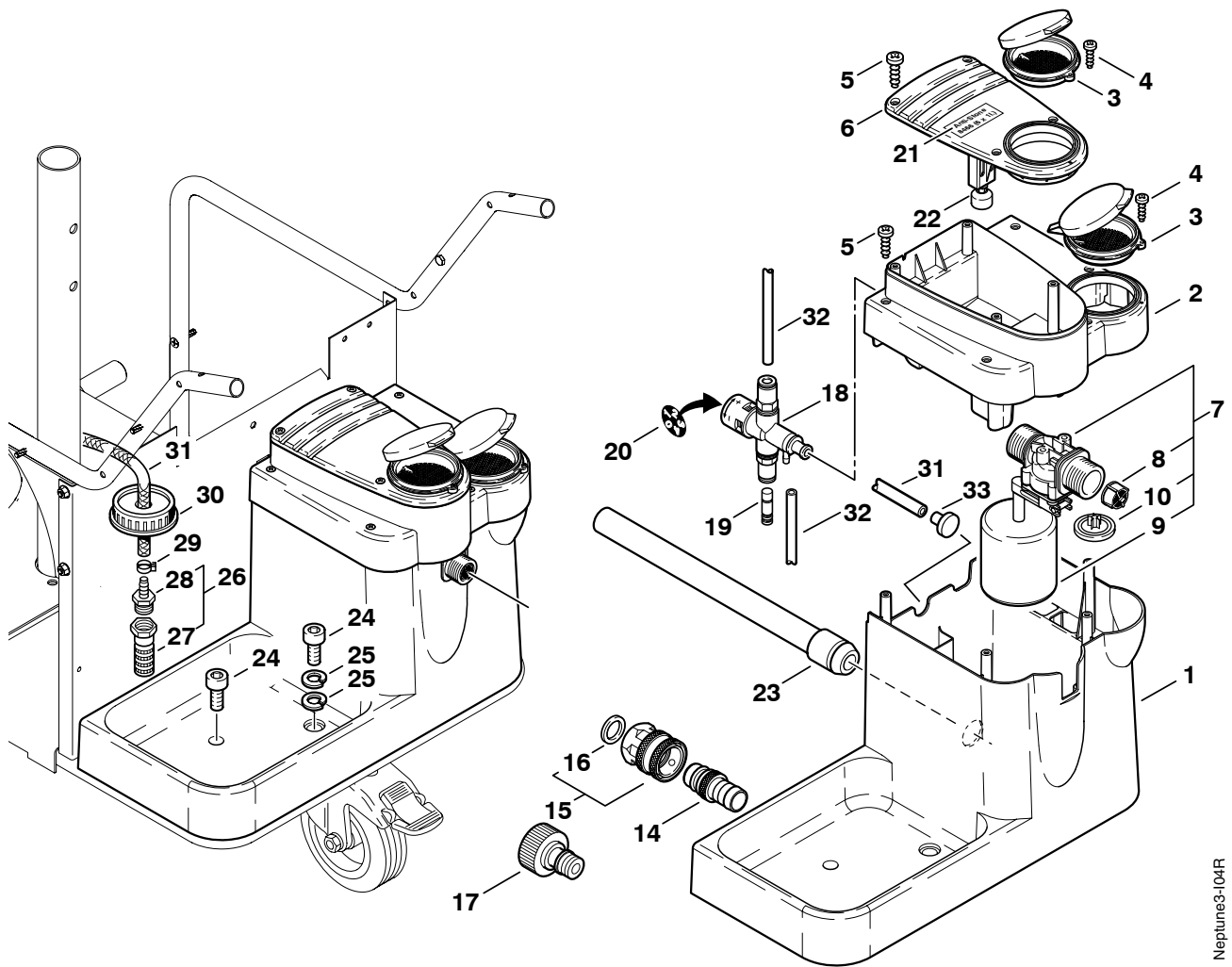
Neptune3-102R

| Pos. | No. | Description | Bezeichnung | Comment Bemerkung Bemærkning | Rec. Part NEPTUNE 3 |
|------|-----------|--------------------------|-------------------------|--|------------------------|
| 1 | 301000457 | Clip | Sicherungsclip | | 2 |
| 1 | 301001518 | Clip | Sicherungsclip | 3-17 CLASSIC, 3-22 *EU* 3-30 CLASSIC, 3-33 CLASSIC | 2 |
| 2 | 301001062 | Cover (Blue) | Haube (Blau) | | 1 |
| 2 | 301001063 | Cover (Black) | Haube (Schwarz) | 3-22 *EU*, 3-17 CLASSIC, 3-30 CLASSIC, 3-33 CLASSIC | 1 |
| 3 | 301001682 | Cover Plate Ø63x4 | Abdeckscheibe Ø63x4 | 3-17 CLASSIC, 3-22 *EU*GB* , 3-30 CLASSIC, 3-33 CLASSIC | 1 |
| 4 | 301001261 | Locking Bolt Ø29x35 | Sicherungsbolzen Ø29x35 | | 1 |
| 5 | 12496 | Hexagon Nut M6 | Sechskantmutter M6 | | 5 |
| 6 | 301001422 | Side Cabinet Lower Set | Verkleidung Unten Set | | 1 |
| 7 | 3913 | Screw M6x12 | Zylinderschraube M6x12 | | 3 |
| 8 | 301001188 | Side Cabinet Upper Right | Verkleidung Oben Rechts | | 1 |
| 9 | 301001187 | Side Cabinet Upper Left | Verkleidung Oben Links | | 1 |



Neptune3-103R

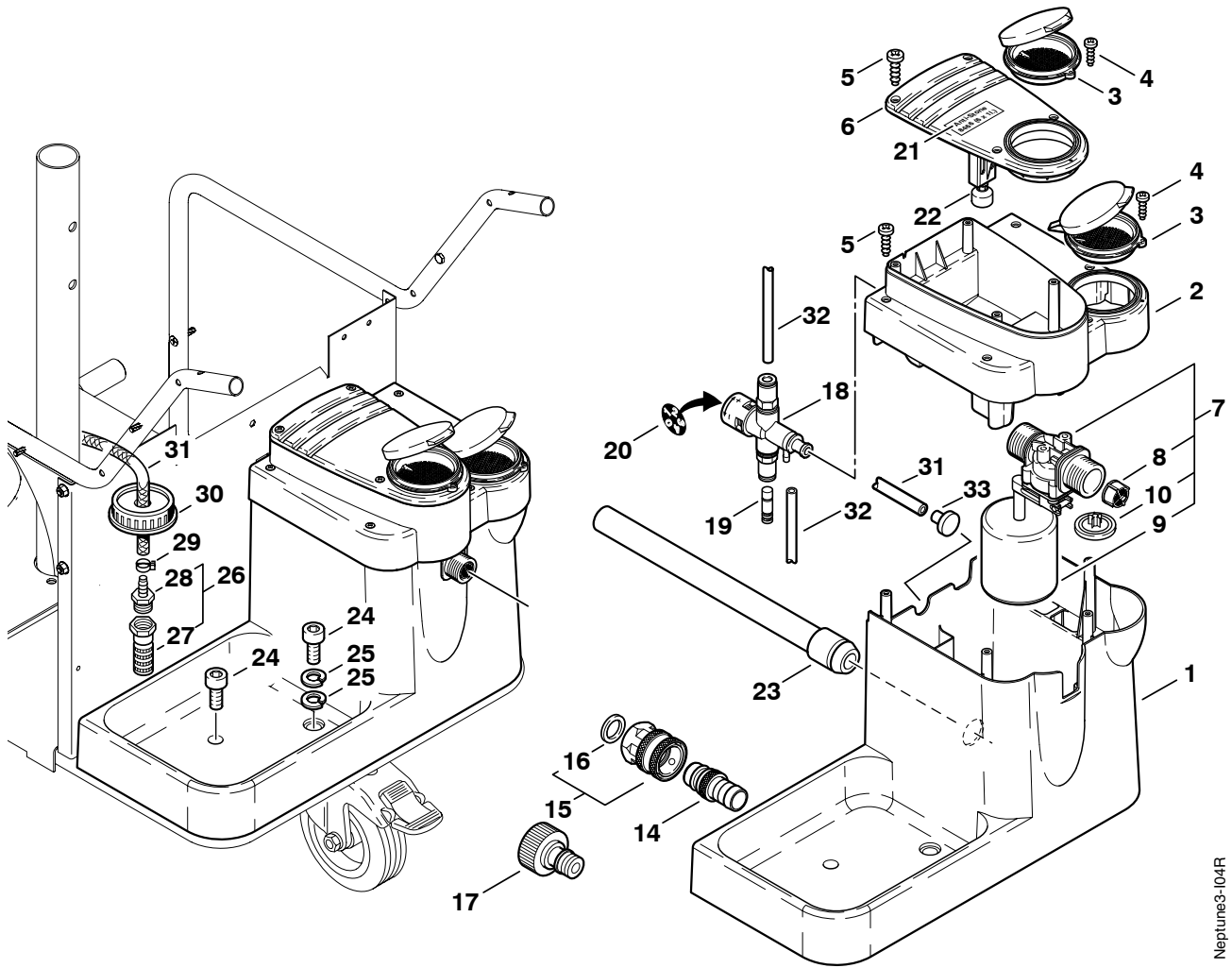
| Pos. | No. | Description | Bezeichnung | Comment Bemerkung Remarque Bemærkning | Rec. Part NEPTUNE 3 |
|------|-----------|---------------------|------------------------|---|------------------------|
| ⇧ 1 | 17710 | Pipe Ø6x1 | Rohr Ø6x1 | | 1 |
| 2 | 301001276 | Plug Ø40x42 | Stopfen Ø40x42 | | 1 |
| 3 | 301001262 | Level Sensor Holder | Tankgeber Halter | | 1 |
| 4 | 18086 | Screw 2,9x13 | Blechschrabe 2,9x13 | | 2 |
| 5 | 301000620 | Gasket Ø79,6xØ66x10 | Dichtung Ø79,6xØ66x10 | | 2 |
| 6 | 301001196 | Float Switch 10VA | Schwimmerschalter 10VA | 3-20, 3-23, 3-25, 3-26, 3-30, 3-33, 3-38, 3-41 | C 1 |
| 7 | 909100173 | O-ring Ø56x5 | O-Ring Ø56x5 | | 1 |
| 8 | 301001292 | Strainer | Siebbecher | | 1 |
| 9 | 301001208 | Fueltank | Brennstofftank | | 1 |



Neptune3-104R

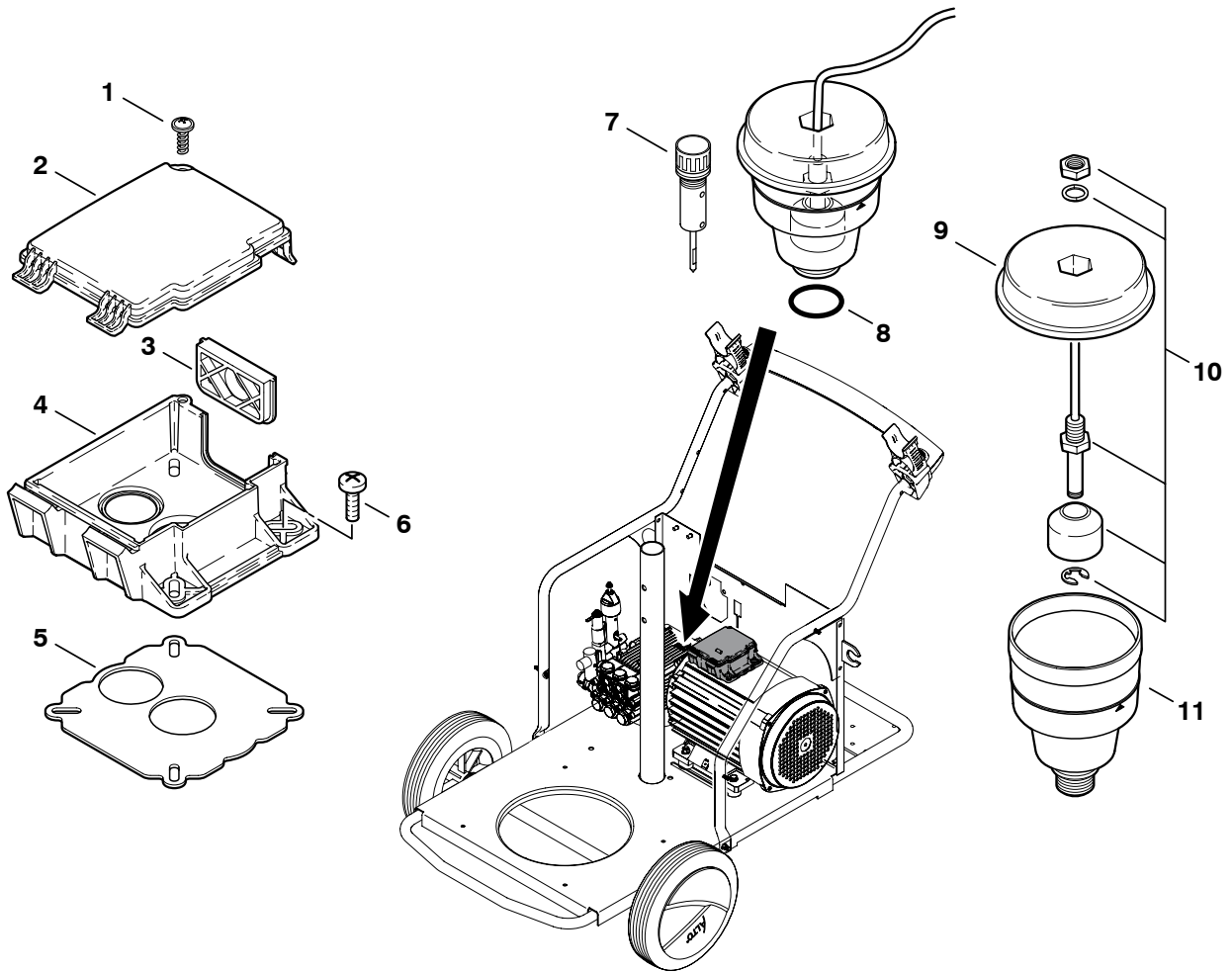
| Pos. | No. | Description | Bezeichnung | Comment Bemerkung Bemærkning | Rec. Part NEPTUNE 3 |
|------|-----------|-------------------------------|------------------------|--|------------------------|
| 1 | 301000563 | Water Break Tank | Wasservorlaufbehälter | | 1 |
| 2 | 301000562 | Anti Scale Tank | KS-Behälter | | 1 |
| 3 | 301000561 | Cover-can detergent | Deckel R+P-Behälter | | 2 |
| 4 | 1805175 | Screw 3x12 | Schraube 3x12 | | 2 |
| 5 | 56727 | Screw 5x20 | Schraube 5x20 | | 8 |
| 6 | 301000560 | Cover Anti Scale Tank | Abdeckung KS-Behälter | | 1 |
| 7 | 63347 | Float Valve | Schwimmerventil | | 1 |
| 8 | 34225 | Filter | Schmutzfilter | | C 1 |
| 9 | 62877 | Float valve Ø55x60 | Schwimmer Ø55x60 | | 1 |
| 10 | 62878 | Membrane | Membrane | | 1 |
| 14 | 1600659 | Nipple | Nippel | *JP* | 1 |
| 14 | 1605872 | Nipple Ø29x32 | Nippel Ø29x32 | *US* | 1 |
| 15 | 1602945 | NITO Quick Coupling 3/4" L.P. | Kupplung Kpl. 3/4" | *JP*US* | 1 |
| 16 | 3001237 | Packing Ring 24,5x16x3 | Dichtring 24,5x16x3 | *JP*US* | 1 |
| 17 | 32541 | Gardena Male 3/4" | Gardena Hahnstück 3/4" | | 1 |
| 18 | 64445 | Anti Scale Valve | KS-Dosierventil Vorm. | 3-20, 3-23, 3-25, 3-26, 3-30, 3-33, 3-38, 3-41 | 1 |
| 19 | 301001180 | Plug Ø4 | Verschluss Ø4 | =>31.03.2005 3-20, 3-23, 3-25, 3-26, 3-30, 3-33, 3-38, 3-41 | 1 |
| 20 | 301000915 | Label Ø20 | Klebeschild Skala Ø20 | 3-20, 3-23, 3-25, 3-26, 3-30, 3-33, 3-38, 3-41 | 1 |
| 21 | 301000932 | Label "Anti-Stone" | Klebeschild Anti-Stone | 3-20, 3-23, 3-25, 3-36, 3-30, 3-33, 3-38, 3-41 | 1 |
| 22 | 301000695 | Float Switch 10VA | Schwimmerschalter 10VA | 3-20, 3-23, 3-25, 3-26, 3-30, 3-33, 3-38, 3-41 | 1 |
| 23 | 301000713 | Suction Hose Ø22x295 | Formschlauch Ø22x295 | | 1 |

301001819 - 2007-04-23



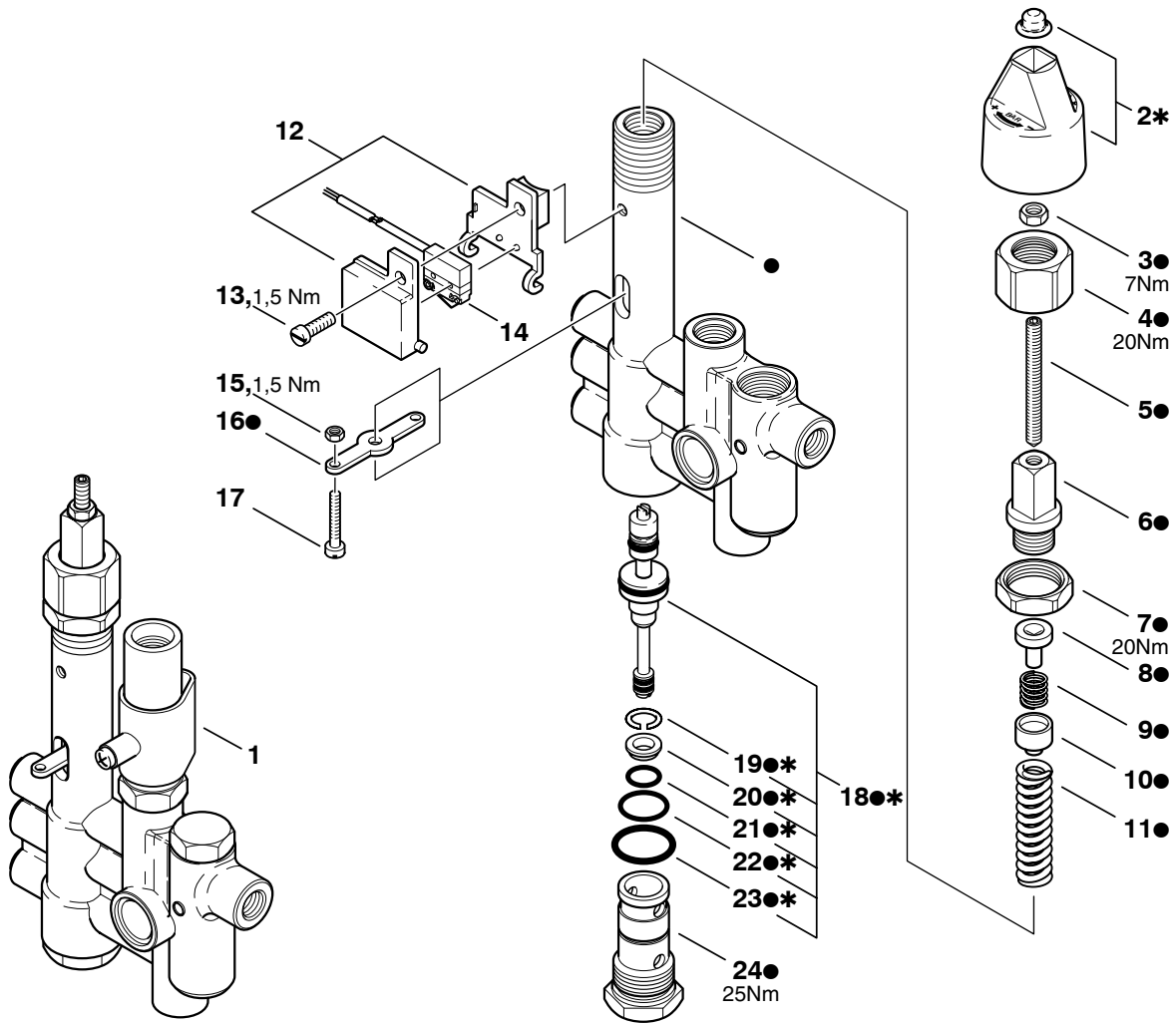
Neptune3-104R

| Pos. | No. | Description | Bezeichnung | Comment Bemerkung Bemærkning | Rec. Part NEPTUNE 3 |
|------|-----------|---------------------------|--------------------------------|---|------------------------|
| 24 | 8892 | Screw M8x16 | Zylinderschraube M8x16 | | 2 |
| 25 | 2770 | Lock Washer A8 | Federring A8 | | 2 |
| 26 | 17508 | Valve | Fussventil | 3-20, 3-23, 3-25, 3-26, 3-30, 3-33, 3-38, 3-41 | 1 |
| 27 | 3205 | Valve | Fussventil | 3-20, 3-23, 3-25, 3-26, 3-30, 3-33, 3-38, 3-41 | 1 |
| 28 | 5283 | Hose Nozzle Ø6R3/8 | Schlauchtülle Ø6R3/8 | 3-20, 3-23, 3-25, 3-26, 3-30, 3-33, 3-38, 3-41 | 1 |
| 29 | 11654 | Hose Clamp Ø11,5 | Schlauchklemme Ø11,5 | 3-20, 3-23, 3-25, 3-26, 3-30, 3-33, 3-38, 3-41 | 1 |
| 30 | 301001004 | Closing cap w.hole Ø65x22 | Verschlusskappe gebohrt Ø65x22 | 3-20, 3-23, 3-25, 3-26, 3-30, 3-33, 3-38, 3-41 | 1 |
| ↕ | 31 | 4973 Hose Ø6x3 | Schlauch Ø6x3 | 3-20, 3-23, 3-25, 3-26, 3-30, 3-33, 3-38, 3-41 | 1 |
| ↕ | 32 | 909100141 Pipe Ø4x1 | Rohr Ø4x1 | | 1 |
| 33 | 6400240 | Filter | Filter | 01.03.2006=> - =>30.09.2006 | 1 |



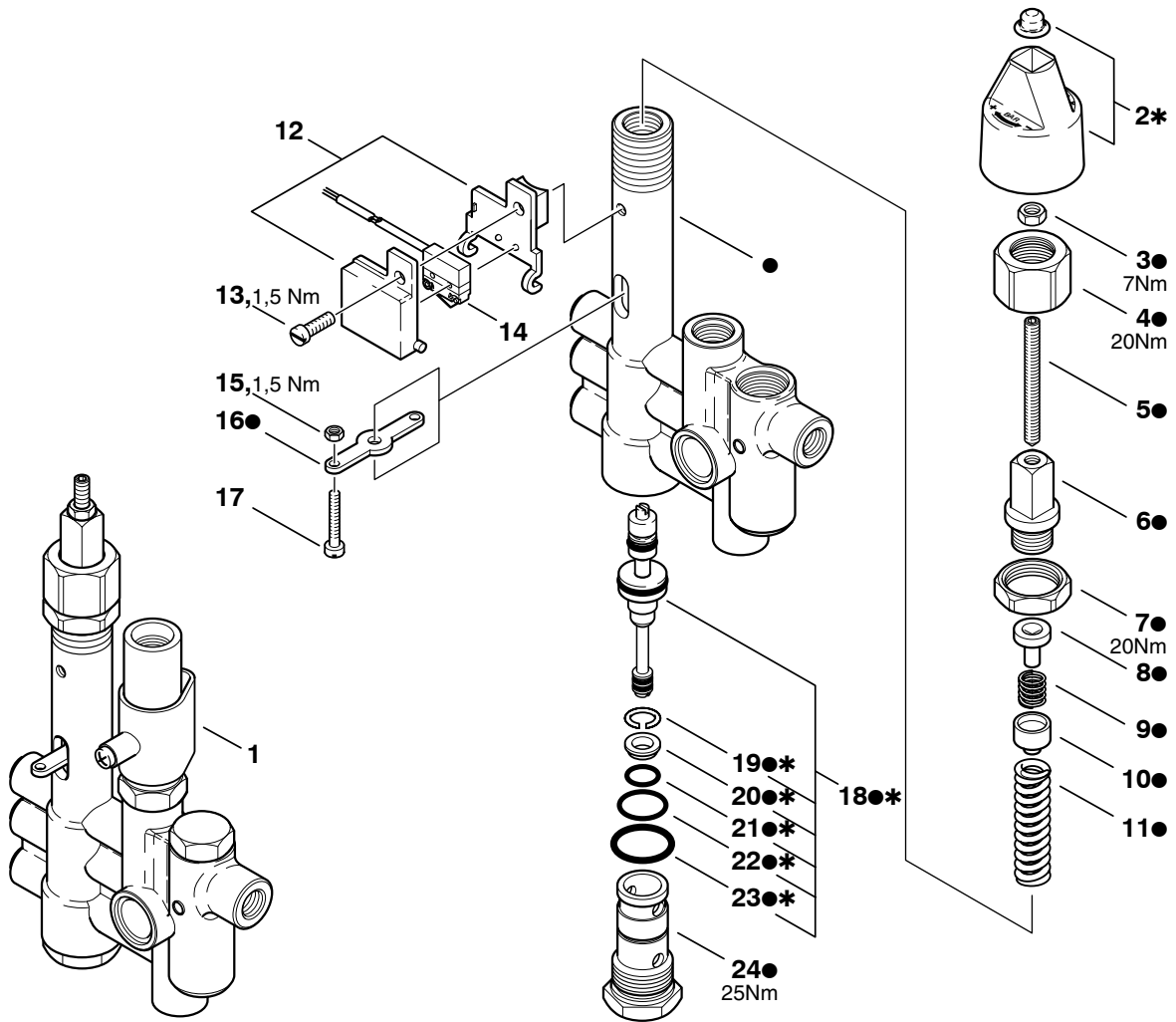
Neptune3-105R

| Pos. | No. | Description | Bezeichnung | Comment Bemerkung Bemærkning | Rec. Part NEPTUNE 3 |
|------|-----------|----------------------------|--------------------------------|--|------------------------|
| 1 | 10028 | Screw 5x14 | Schraube 5x14 | | 1 |
| 2 | 301000782 | Cover EI.Box 128,2x112,5 | Deckel Klemmkasten 128,2x112,5 | | 1 |
| 3 | 17106 | Insert 29x52 | Einsatz 29x52 | | 1 |
| 4 | 301000781 | Electric Box | Klemmkasten | | 1 |
| 5 | 301000845 | Gasket 100x100x1 | Dichtung Form 100x100x1 | | 1 |
| 6 | 32535 | Screw M5x16 | Zylinderschraube M5x16 | | 4 |
| 7 | 301001460 | Oil Level Stick G3/8" | Ölmeßstab G3/8" | 3-22, 3-17 CLASSIC, 3-30 CLASSIC, 3-33 CLASSIC | 1 |
| 8 | 19690 | O-ring Ø19x1,8 | O-Ring Ø19x1,8 | 3-20, 3-23, 3-25, 3-26, 3-30, 3-33, 3-38, 3-41 | 1 |
| 9 | 301000615 | Cover Ø70x15,5 | Deckel Ø70x15,5 | 3-20, 3-23, 3-25, 3-26, 3-30, 3-33, 3-38, 3-41 | 1 |
| 10 | 301001196 | Float Switch 10VA | Schwimmerschalter 10VA | 3-20, 3-23, 3-25, 3-26, 3-30, 3-33, 3-38, 3-41 | C 1 |
| 11 | 301000614 | Pumpoil Container Ø66,8x84 | Ölbehälter Ø66,8x84 | 3-20, 3-23, 3-25, 3-26, 3-30, 3-33, 3-38, 3-41 | 1 |



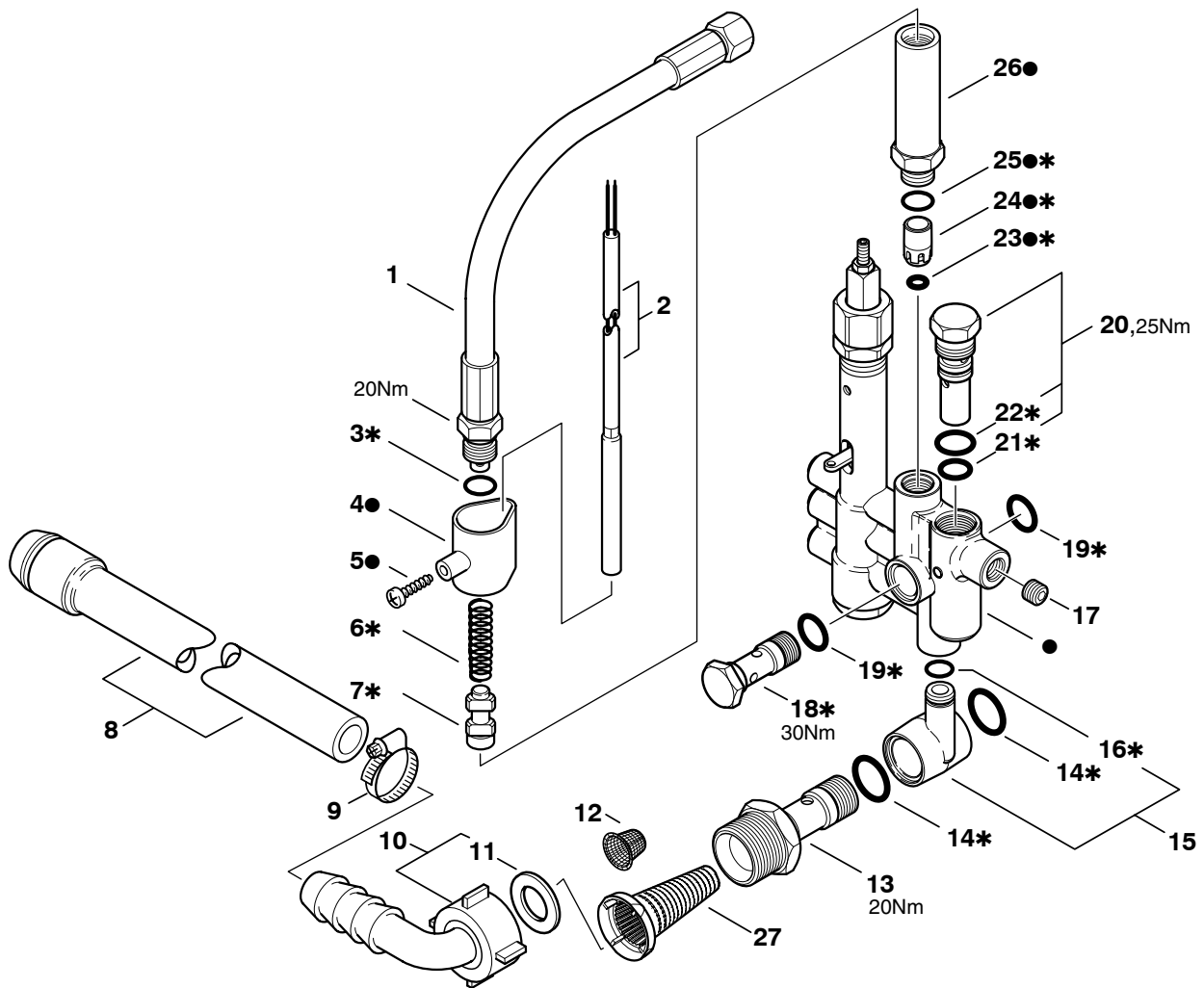
Neptune3-106R

| Pos. | No. | Description | Bezeichnung | Comment Bemerkung Remarque Bemærkning | Rec. Part NEPTUNE 3 |
|-------|-----------|-------------------------------|--------------------------------|--|------------------------|
| 1 | 301001810 | Unloader Valve | Regelsicherheitsblock Grundkit | includes ● | C 1 |
| * 2 | 62397 | Rotary Knob | Drehknopf | | 1 |
| ● 3 | 3136 | Hexagon Nut M6 | Sechskantmutter M6 | | 1 |
| ● 4 | 62710 | Union Nut M24x1,5x21 | Überwurfmutter M24x1,5x21 | | 1 |
| ● 5 | 62711 | Set Screw M6x60 | Gewindestift M6x60 | | 1 |
| ● 6 | 62712 | Hollow Screw M16x1x9 | Hohlschraube M16x1x9 | | 1 |
| ● 7 | 62696 | Hexagon Nut M24x1,5x6 | Sechskantmutter M24x1,5x6 | | 1 |
| ● 8 | 62695 | Spring Support | Federauflage | | 1 |
| ● 9 | 62713 | Spring | Druckfeder | | 1 |
| ● 10 | 62694 | Spring Support | Federauflage | | 1 |
| ● 11 | 40972 | Spring 3,5x10,5x54 | Druckfeder 3,5x10,5x54 | | 1 |
| 12 | 62401 | Bracket | Halter | | 1 |
| 13 | 3349 | Screw M5x16 | Zylinderschraube M5x16 | | 1 |
| 14 | 301000731 | End Switch 250V 0,1A | Endschalter 250V 0,1A | | B 1 |
| 15 | 2759 | Hexagon Nut M4 | Sechskantmutter M4 | | 1 |
| ● 16 | 62717 | Contact Stud | Schaltfahne | | 1 |
| 17 | 5076 | Screw M4x25 | Zylinderschraube M4x25 | | 1 |
| ●* 18 | 64314 | Repair Kit | Reparatursatz | | B 1 |
| ●* 19 | 909100001 | Ring Ø14 | Sprengtring Ø14 | | 1 |
| ●* 20 | 62708 | Valve Seat Ø8,5/Ø11,4/Ø13,9x4 | Ventilsitz Ø8,5/Ø11,4/Ø13,9x4 | | 1 |
| ●* 21 | 49461 | O-ring Ø11x1,5 | O-Ring Ø11x1,5 | | 1 |
| ●* 22 | 9523 | O-ring Ø17x1,5 | O-Ring Ø17x1,5 | | 1 |
| ●* 23 | 32091 | O-ring Ø21x2 | O-Ring Ø21x2 | | 1 |
| ● 24 | 64301 | Hollow Screw M24x1,5 | Hohlschraube M24x1,5 | | C 1 |



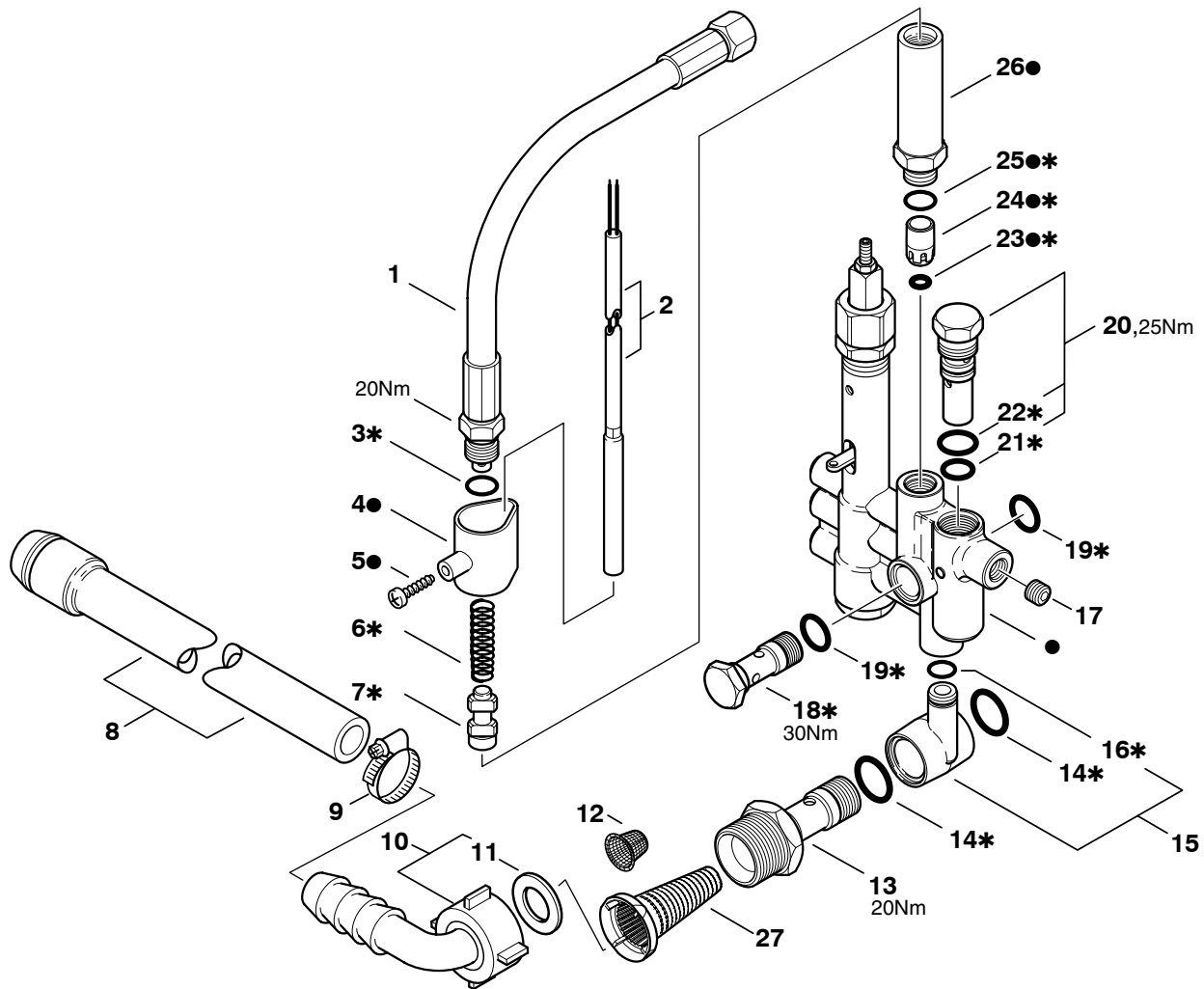
Neptune3-106R

| Pos. | No. | Description | Bezeichnung | Comment Bemerkung Remarque Bemærkning | Rec. Part NEPTUNE 3 |
|------|-----------|---------------------------|------------------------|--|------------------------|
| | 301001850 | Repair Kit Unloader Valve | Reparatur-Set RS-Block | consisting of: * | B 1 |



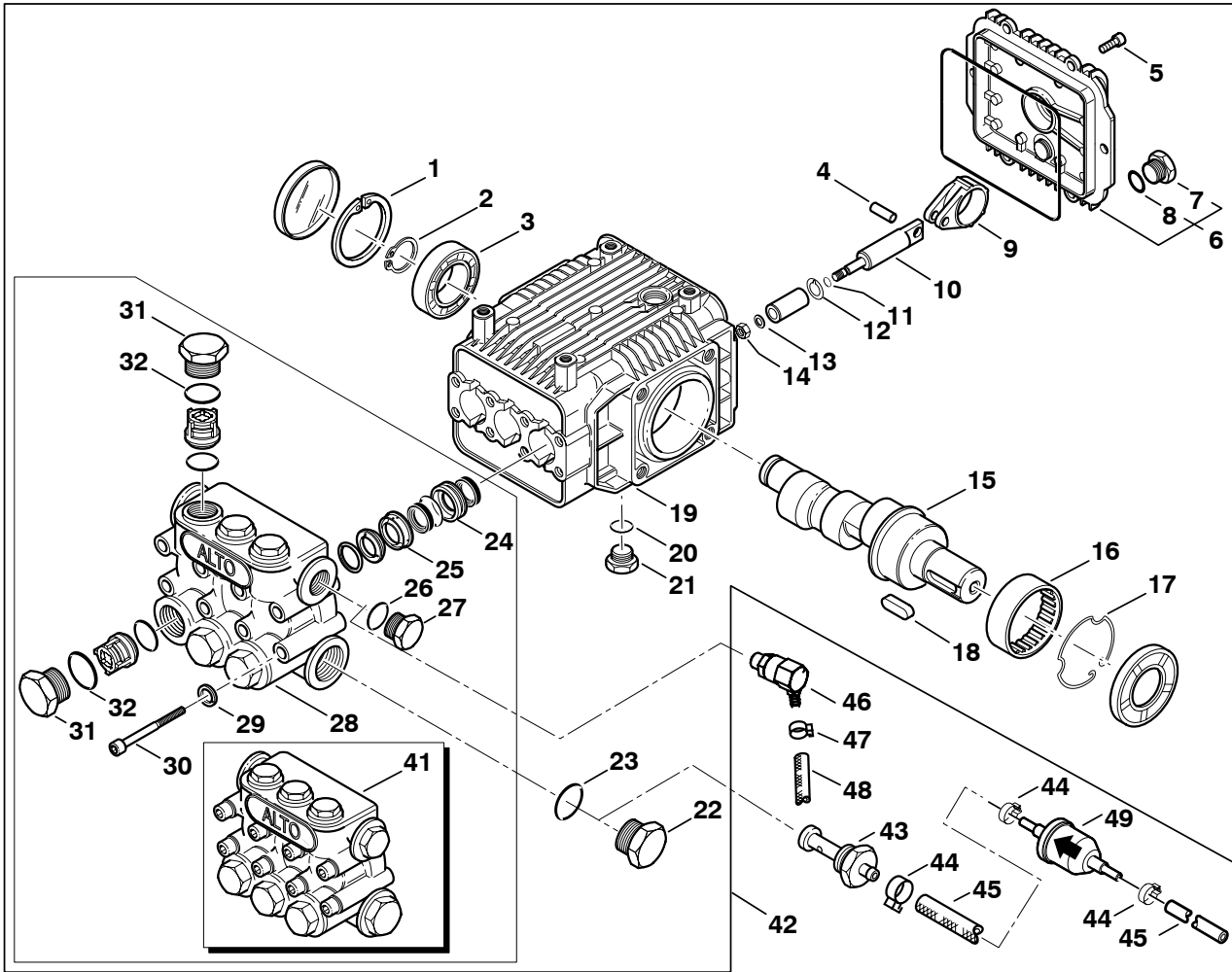
Neptune3-107R

| Pos. | No. | Description | Bezeichnung | Comment Bemerkung Remarque Bemærkning | Rec. Part NEPTUNE 3 |
|------|-----------|-----------------------------|------------------------------------|--|------------------------|
| 1 | 301000854 | HP-Hose Ø8x610 | HD-Schlauch Ø8x610 | | 1 |
| 2 | 301002458 | Reed contact Ø8x75 | Rohrmagnetschalter Ø8x75 | | C 1 |
| * 3 | 62706 | O-ring Ø13x2 | O-Ring Ø13x2 | | 1 |
| ● 4 | 62399 | Bracket for reed-contact | Halter für Reedkontakt RS-Block PA | | 1 |
| ● 5 | 10028 | Screw 5x14 | Schraube 5x14 | | 1 |
| * 6 | 6231 | Spring 0,5x11x44 | Druckfeder 0,5x11x44 | | B 1 |
| * 7 | 62724 | Contact Piston | Kontaktkolben | | B 1 |
| 8 | 301000713 | Suction Hose Ø22x295 | Formschlauch Ø22x295 | | 1 |
| 9 | 8298 | Hose Clip 16-27 | Schlauchschelle 16-27 | | 1 |
| 10 | 5613 | Hose Nozzle Ø13 90° | Schlauchtülle Ø13 Winkel 90° | | 1 |
| 11 | 15587 | Packing Ring 14x24x2 | Dichtring 14x24x2 | | 1 |
| 12 | 62600 | Filter 500µ Ø21,4x19,7 | Hutfilter | =>31.10.2006 | C 1 |
| 13 | 301001297 | Hollow Screw G1/2"-G3/4"x72 | Hohlschraube G1/2"-G3/4"x72 | | 1 |
| * 14 | 24347 | O-ring Ø21x2,5 | O-Ring Ø21x2,5 | | 2 |
| 15 | 301001296 | Return Line Ø30x34x43 | Rücklauf Ø30x34x43 | | 1 |
| * 16 | 13739 | O-ring Ø10x2 | O-Ring Ø10x2 | | 1 |
| 17 | 30993 | Plug G1/4 | Stopfen G1/4 | | 1 |
| * 18 | 62697 | Hollow Screw G3/8 | Hohlschraube G3/8 | | C 1 |
| * 19 | 16443 | O-ring Ø17x2 | O-Ring Ø17x2 | | 2 |
| 20 | 62729 | Safety Valve 250bar | Sicherheitsventil 250bar | 3-33, 3-33 CLASSIC | A 1 |
| 20 | 62730 | Safety Valve 200 bar | Sicherheitsventil 200 bar | 3-17 CLASSIC, 3-20, 3-22, 3-23, 3-25, 3-26, 3-30, 3-30 CLASSIC | A 1 |
| 20 | 301000911 | Safety Valve 250 bar | Sicherheitsventil 250 bar | 3-38, 3-41 | A 1 |
| * 21 | 62706 | O-ring Ø13x2 | O-Ring Ø13x2 | | 1 |



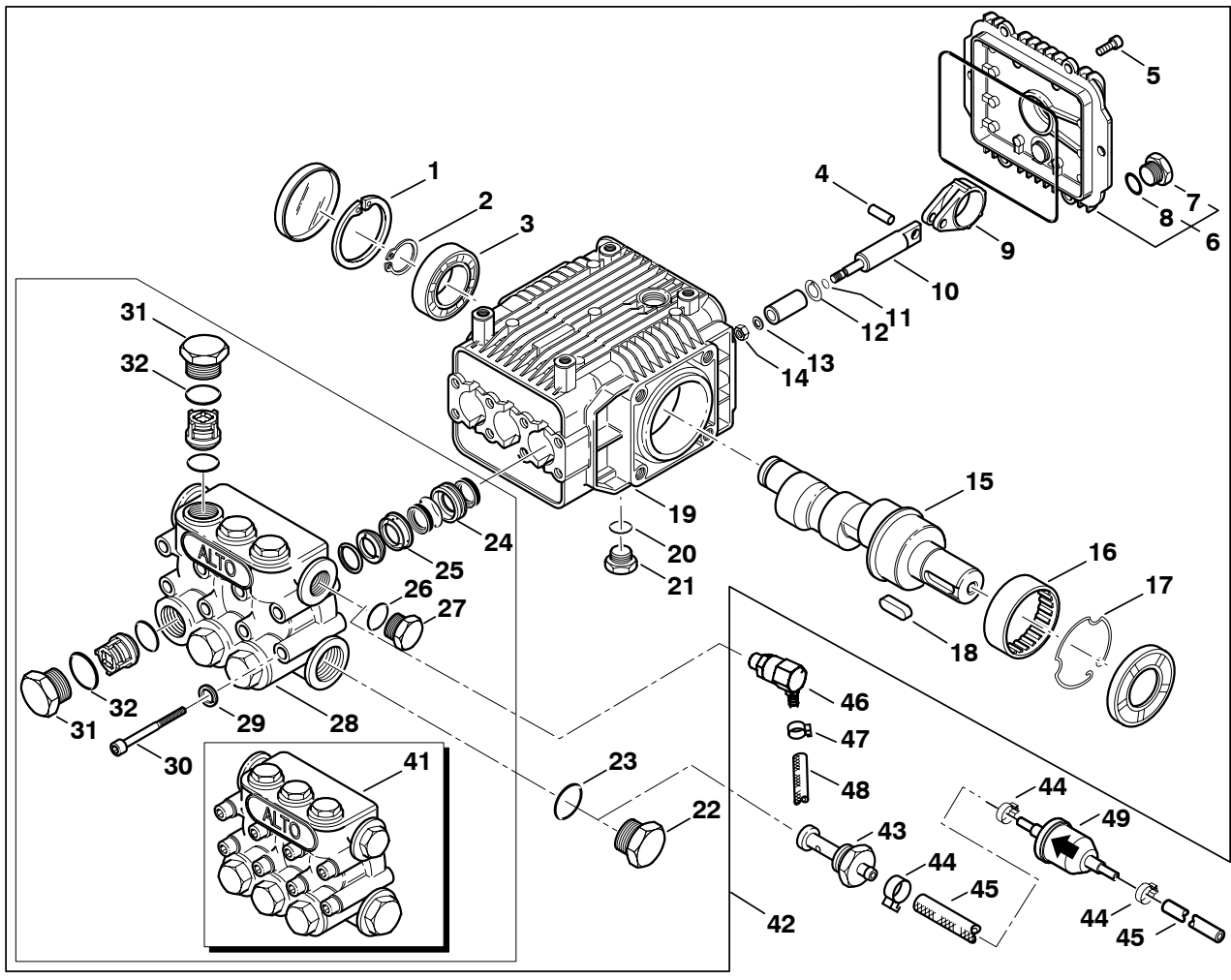
Neptune3-I07R

| Pos. | No. | Description | Bezeichnung | Comment Bemerkung Bemærkning | Rec. Part NEPTUNE 3 |
|-------|-----------|---------------------|--------------------------------|------------------------------------|------------------------|
| * 22 | 16443 | O-ring Ø17x2 | O-Ring Ø17x2 | | 1 |
| ●* 23 | 56519 | O-ring Ø6,5x3 | O-Ring Ø6,5x3 | | 1 |
| ●* 24 | 301000905 | Piston Ø14,6x25,5 | Kolben Ø14,6x25,5 | | 1 |
| ●* 25 | 16998 | O-ring Ø14x1,5 | O-Ring Ø14x1,5 | | 1 |
| ● 26 | 62722 | Fitting | Hülse | | 1 |
| | 301002394 | Filter 400µ | Filter 400µ | 01.11.2006=> | C 1 |
| | 301001810 | Unloader Valve | Regelsicherheitsblock Grundkit | includes ● | C 1 |
| | 301001850 | Repair Kit RS Block | Reparatur-Kit RS-Block | consisting of: * | B 1 |



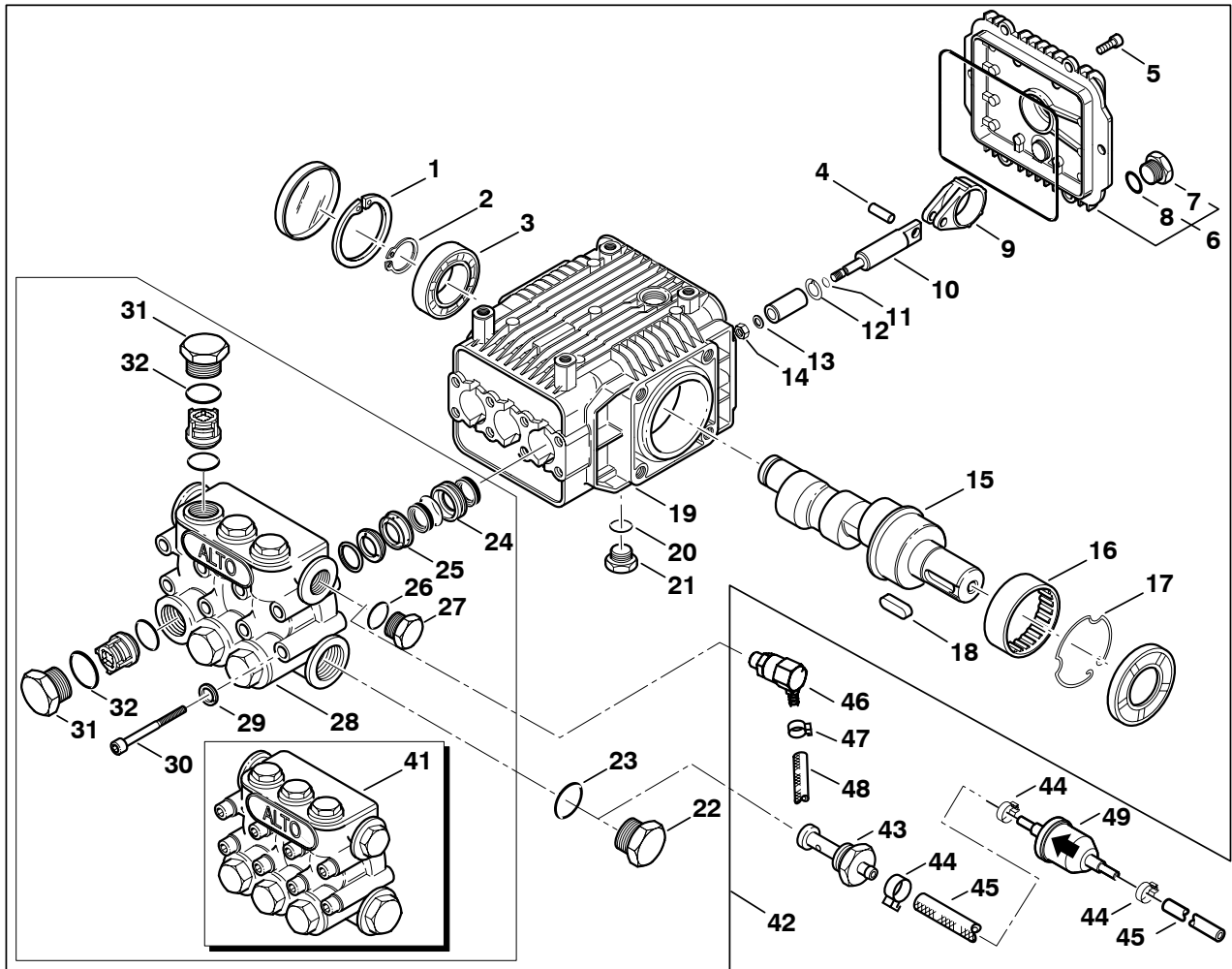
Neptune3-108R

| Pos. | No. | Description | Bezeichnung | Comment Bemerkung Remarque Bemærkning | Rec. Part NEPTUNE 3 |
|------|-----------|---------------------------|---------------------------|--|------------------------|
| 1 | 16396 | Retaining Ring 52x2 | Sicherungsring 52x2 | | 1 |
| 2 | 32524 | Retaining Ring 20x1,2 | Sicherungsring 20x1,2 | | 1 |
| 3 | 909100175 | Roller bearing 6304 | Wälzlager 6304 | | 1 |
| 4 | 301001555 | Bolt | Bolzen | | B 3 |
| 5 | 4697 | Screw M6x16 | Zylinderschraube M6x16 | | 6 |
| 6 | 301001158 | Cover | Deckel | | 1 |
| 7 | 301001135 | Plug G3/8" | Stopfen G3/8" | | 1 |
| 8 | 56554 | O-ring Ø14x1,78 | O-Ring Ø14x1,78 | | 1 |
| 9 | 301001561 | Connecting rod | Pleuel | | B 3 |
| 9 | 301001562 | Connecting rod | Pleuel | 3-17 CLASSIC, 3-20 | B 3 |
| 10 | 301001560 | Piston Rod | Kolbenstange | | B 3 |
| 11 | 3004236 | O-ring Ø4,48x1,78 | O-Ring Ø4,48x1,78 | | 3 |
| 12 | 301001486 | Distance Spacer | Distanzscheibe | | 3 |
| 13 | 909100178 | Packing Ring 8x13x0,5 | Dichtring 8x13x0,5 | | 3 |
| 14 | 909100177 | Hexagon Nut M8/SW13x5 | Sechskantmutter M8/SW13x5 | | 3 |
| 15 | 301001576 | Crankshaft No.7 | Kurbelwelle No.7 | 3-17 CLASSIC,, 3-20, 3-25, 3-38 60Hz | C 1 |
| 15 | 301001577 | Crankshaft No.4 | Kurbelwelle No.4 | 3-22, 3-23, 3-26, 3-30, 3-30 CLASSIC | C 1 |
| 15 | 301001578 | Crankshaft No.1 | Kurbelwelle No.1 | 3-33, 3-33 CLASSIC | C 1 |
| 15 | 301001685 | Crankshaft No.15 | Kurbelwelle No.15 | 3-38 50Hz, 3-41 | C 1 |
| 15 | 301002413 | Crankshaft No.5 | Kurbelwelle No.5 | 3-26 60Hz | C 1 |
| 16 | 909100174 | Roller Bearing Ø45/Ø52X16 | Nadelhülse Ø45/Ø52X16 | | 1 |
| 17 | 301001539 | Retaining Ring Ø62/Ø54xØ1 | Sicherungsring Ø62/Ø54xØ1 | | 1 |
| 18 | 19639 | Parallel Key A 8x7x25 | Passfeder A 8x7x25 | | 1 |

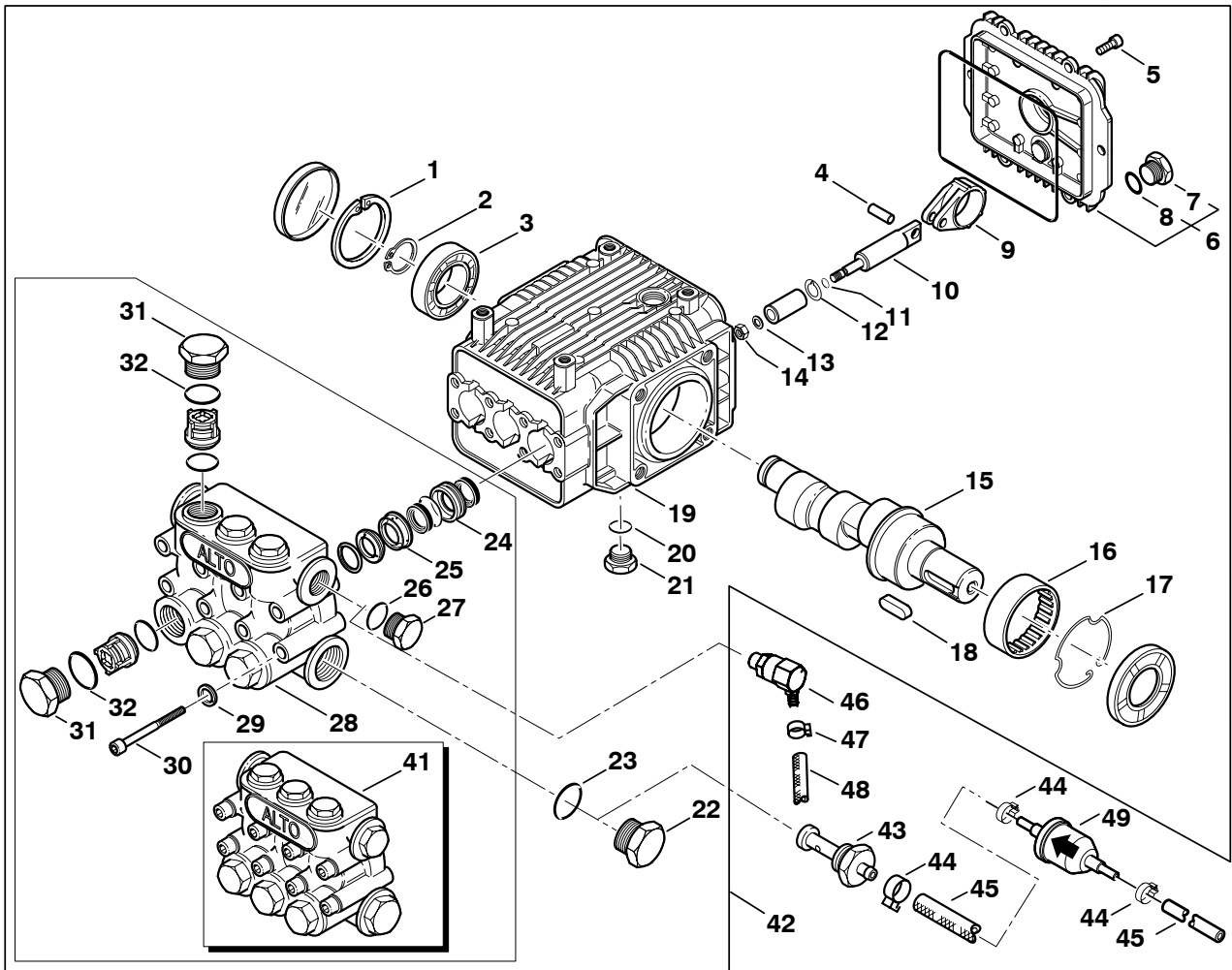


| Pos. | No. | Description | Bezeichnung | Comment Bemerkung Remarque Bemærkning | Rec. Part NEPTUNE 3 |
|------|-----------|------------------------------|--------------------------------------|---|------------------------|
| 19 | 301001557 | Housing | Gehäuse | | 1 |
| 20 | 56554 | O-ring Ø14x1,78 | O-Ring Ø14x1,78 | | 1 |
| 21 | 301001135 | Plug G3/8" | Stopfen G3/8" | | 1 |
| 22 | 301001136 | Plug G1/2"/SW24x17 | Stopfen G1/2"/SW24x17 | 3-17 CLASSIC, 3-22, 3-30 CLASSIC, 3-33 CLASSIC | 1 |
| 23 | 5127 | Packing Ring Ø21x26 | Dichtring Ø21x26 | | 1 |
| 24 | 301001592 | Thrust Collar Ø15 "NP3-Pump" | Kolbenführung Ø15 Hinten "NP3-Pumpe" | 3-17 CLASSIC, 3-20, 3-22, 3-23, 3-26, 3-30, 3-30 CLASSIC, 3-33, 3-33 CLASSIC | B 3 |
| 24 | 301001593 | Thrust Collar Ø18 "NP3-Pump" | Kolbenführung Ø18 Hinten "NP3-Pumpe" | 3-25, 3-38, 3-41 | B 3 |
| 25 | 301001558 | Thrust Collar Ø15 "NP3-Pump" | Kolbenführung Ø15 "NP3-Pumpe" | 3-17 CLASSIC, 3-20, 3-22, 3-23, 3-26, 3-30, 3-30 CLASSIC, 3-33, 3-33 CLASSIC | B 3 |
| 25 | 301001559 | Thrust Collar Ø18 "NP3-Pump" | Kolbenführung Ø18 "NP3-Pumpe" | 3-25, 3-38, 3-41 | B 3 |
| 26 | 56554 | O-ring Ø14x1,78 | O-Ring Ø14x1,78 | | 1 |
| 27 | 301001135 | Plug G3/8" | Stopfen G3/8" | | 1 |
| 28 | 301001589 | Valve block | Ventilblock | 3-17 CLASSIC, 3-20 | 1 |
| 28 | 301001590 | Valve block 15mm Piston | Ventilblock 15mm Kolben | 3-22, 3-23, 3-26, 3-30, 3-30 CLASSIC, 3-33, 3-33 CLASSIC | 1 |
| 28 | 301001591 | Valve block 18mm Piston | Ventilblock 18mm Kolben | 3-25, 3-38, 3-41 | 1 |
| 29 | 909100188 | Safety Washer Ø6 | Sicherungsscheibe Ø6 | | 8 |
| 30 | 909100184 | Screw M6x60 | Zylinderschraube M6x60 | | 8 |
| 31 | 301001496 | Plug M22/SW21x22,5 | Stopfen M22/SW21x22,5 | | 6 |
| 32 | 103004342 | O-ring Ø17,86x2,62 | O-Ring Ø17,86x2,62 | | 6 |

301001819 - 2007-04-23

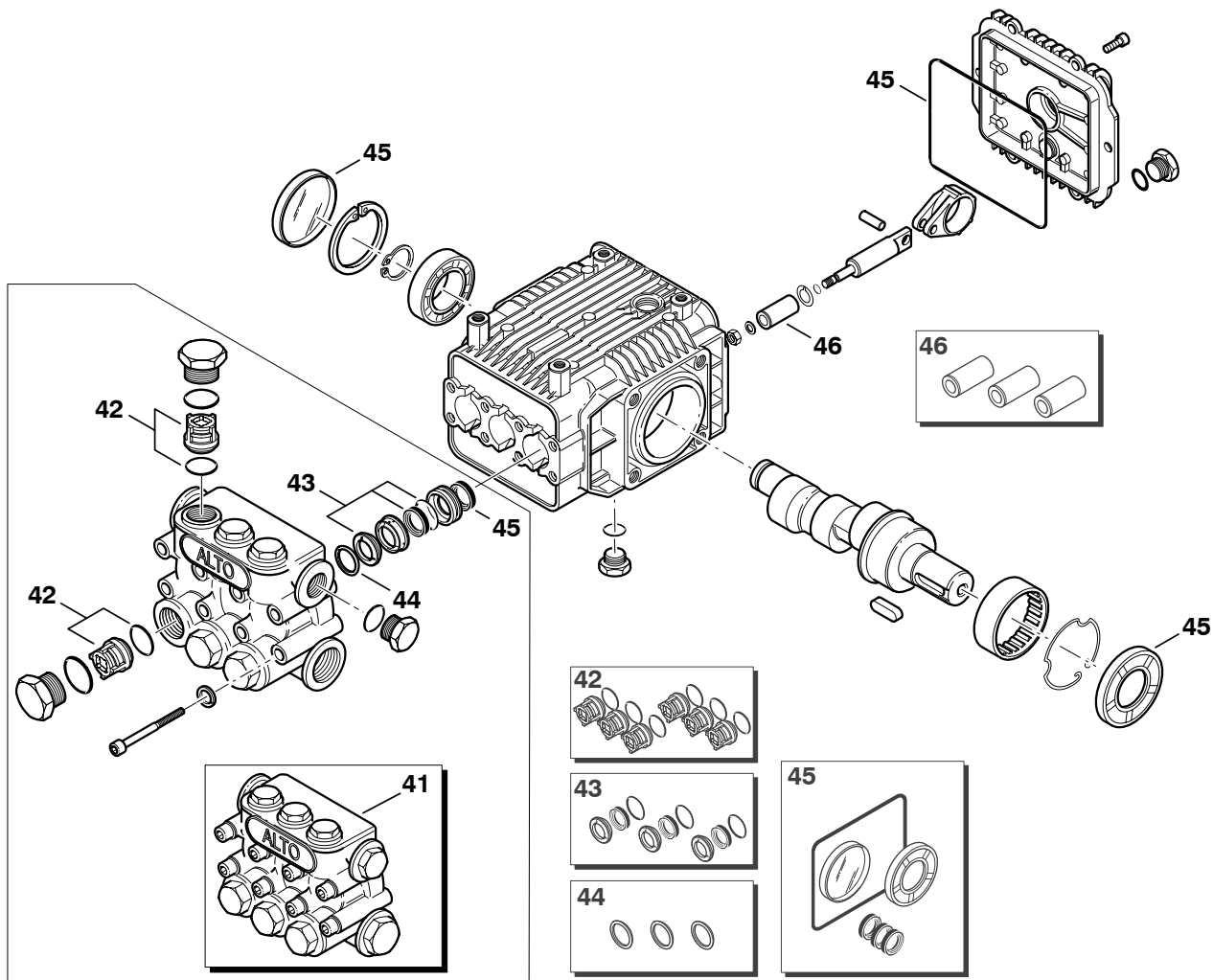


| Pos. | No. | Description | Bezeichnung | Comment Bemerkung Bemærkning | Rec. Part NEPTUNE 3 |
|------|-----------|-------------------------------------|--|---|------------------------|
| 41 | 301001586 | Valve block compl. Ø15mm piston | Ventilblock kpl. Ø15mm Kolben | 3-17 CLASSIC, 3-20 | C 1 |
| 41 | 301001587 | Valve block compl. Ø15mm piston | Ventilblock kpl. Ø15mm Kolben | 3-22, 3-23, 3-26, 3-30, 3-30 CLASSIC, 3-33, 3-33 CLASSIC | C 1 |
| 41 | 301001588 | Valve block compl. Ø18mm piston | Ventilblock kpl. Ø18mm Kolben | 3-25, 3-38, 3-41 | C 1 |
| 42 | 301001298 | Pump NP3 09.15 | Pumpe NP3 | 3-22, 3-23, 3-26 50Hz, 3-30, 3-30 CLASSIC | 1 |
| 42 | 301001299 | Pump NP3 11.17 | Pump NP3 11.17 N | 3-33, 3-33 CLASSIC | 1 |
| 42 | 301001306 | Pump NP3 12.17 | Pumpe NP3 | 3-38 50Hz, 3-41 | 1 |
| 42 | 301001458 | Pump M4 13.20 | Pumpe M4 | 3-17 CLASSIC, 3-20 | 1 |
| 42 | 301001902 | Pump NP3 10.17 | Pumpe NP3 10.17 | 3-25, 3-38 60Hz | 1 |
| 42 | 301002095 | Pump NP3 08.15 | Pumpe NP3 | 3-26 60Hz | 1 |
| 43 | 301002403 | Hollow screw G1/2 Ø14,8 POM instal. | Hohlschraube G 1/2 Ø14,8x70 vorm. POM | 3-33, 3-38, 3-41 | 1 |
| 43 | 301002404 | Hollow screw G1/2 Ø15,4 POM instal. | Hohlschraube G 1/2 Ø15,4x70 vorm. | 3-17 CLASSIC Option, 3-20, 3-22 Option, 3-23, 3-25, 3-26, 3-30, 3-30 CLASSIC Option, 3-33 CLASSIC Option | 1 |
| 44 | 11654 | Hose Clamp Ø11,5 | Schlauchklemme Ø11,5 | 3-17 CLASSIC Option, 3-20, 3-22 Option, 3-23, 3-25, 3-26, 3-30,, 3-30 CLASSIC Option, 3-33 CLASSIC Option | 3 |
| ↕ | 45 | 4973 Hose Ø6x3 | Schlauch Ø6x3 | 3-17 CLASSIC Option, 3-20, 3-22 Option, 3-23, 3-25, 3-26, 3-30, 3-30 CLASSIC Option, 3-33 CLASSIC Option | 1 |
| 46 | 301003109 | Easy start valve modified | Ventil EASY-START ES1 3/8" modifiziert | 3-17 CLASSIC 01.01.2007=> | 1 |



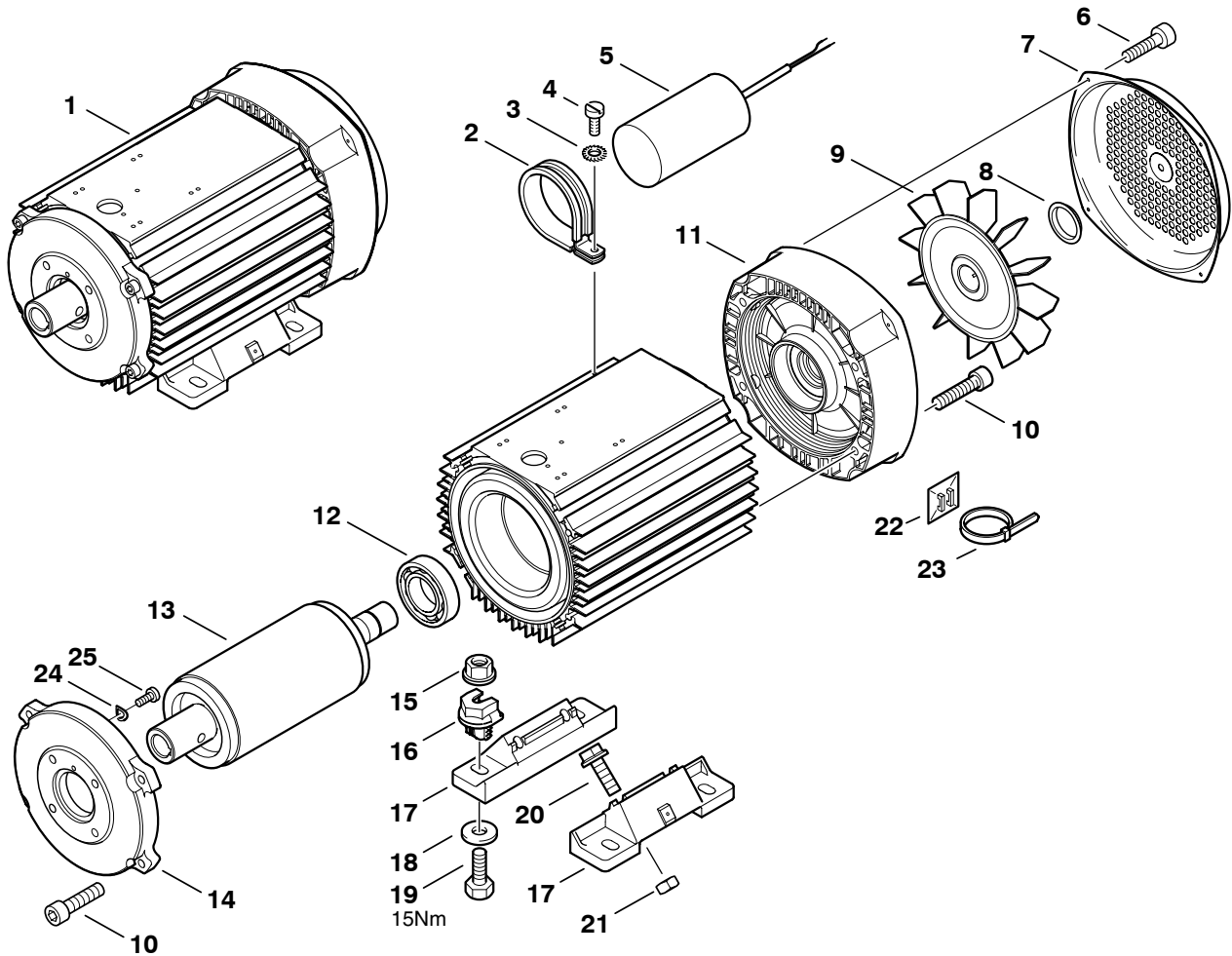
Neptune3-108R

| Pos. | No. | Description | Bezeichnung | Comment Bemerkung Bemærkning | Rec. Part NEPTUNE 3 |
|------|-----------|-----------------|------------------------|------------------------------------|------------------------|
| 47 | 7239 | Hose Clip Ø14,5 | Schlauchschnelle Ø14,5 | 3-17 CLASSIC 01.01.2007=> | 1 |
| ⇧ 48 | 9175 | Hose Ø6x3 | Schlauch Ø6x3 | 3-17 CLASSIC 01.01.2007=> | 1 |
| 49 | 301002926 | Filter | Filter | 01.10.2006=> | 1 |



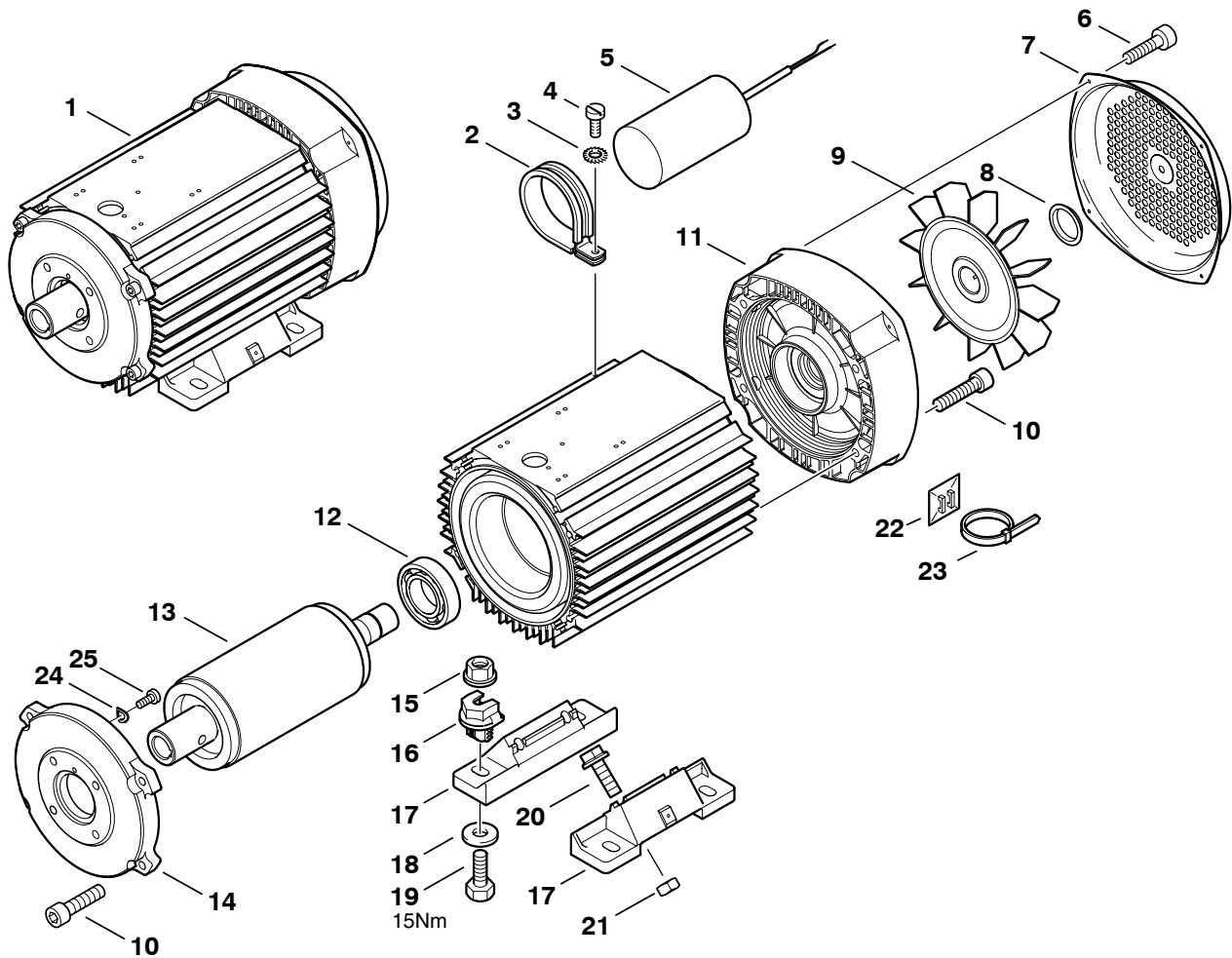
Neptune3-109R

| Pos. | No. | Description | Bezeichnung | Comment Bemerkung Bemærkning | Rec. Part NEPTUNE 3 |
|------|-----------|---------------------------------|-------------------------------|---|------------------------|
| 41 | 301001586 | Valve block compl. Ø15mm piston | Ventilblock kpl. Ø15mm Kolben | 3-17 CLASSIC, 3-20 | C 1 |
| 41 | 301001587 | Valve block compl. Ø15mm piston | Ventilblock kpl. Ø15mm Kolben | 3-22, 3-23, 3-26, 3-30, 3-30 CLASSIC, 3-33, 3-33 CLASSIC | C 1 |
| 41 | 301001588 | Valve block compl. Ø18mm piston | Ventilblock kpl. Ø18mm Kolben | 3-25, 3-38, 3-41 | C 1 |
| 42 | 301001494 | Kit Valve [6x] | ET-Set Ventile [6x] | | A 1 |
| 43 | 301001489 | Kit Piston Sealing Ø15 | ET-Set Kolbendichtung Ø15 | 3-17 CLASSIC, 3-20, 3-22, 3-23, 3-26, 3-30, 3-30 CLASSIC, 3-33, 3-33 CLASSIC | A 1 |
| 43 | 301001490 | Kit Piston Sealing Ø18 | ET-Set Kolbendichtung Ø18 | 3-25, 3-38, 3-41 | A 1 |
| 44 | 301001492 | Kit Support Ring Ø15 [3x] | ET-Set Stützring Ø15 [3x] | 3-17 CLASSIC, 3-20, 3-22, 3-23, 3-26, 3-30, 3-30 CLASSIC, 3-33, 3-33 CLASSIC | B 1 |
| 44 | 301001493 | Kit Support Ring Ø18 [3x] | ET-Set Stützring Ø18 [3x] | 3-25, 3-38, 3-41 | B 1 |
| 45 | 301001491 | Kit Oil Sealing | ET-Set Öldichtung | | B 1 |
| 46 | 301001487 | Kit Piston Ø15 | ET-Set Keramikkolben Ø15 | 3-17 CLASSIC, 3-20, 3-22, 3-23, 3-26, 3-30, 3-30 CLASSIC, 3-33, 3-33 CLASSIC | C 1 |
| 46 | 301001488 | Kit Piston Ø18 | ET-Set Keramikkolben Ø18 | 3-25, 3-38, 3-41 | C 1 |

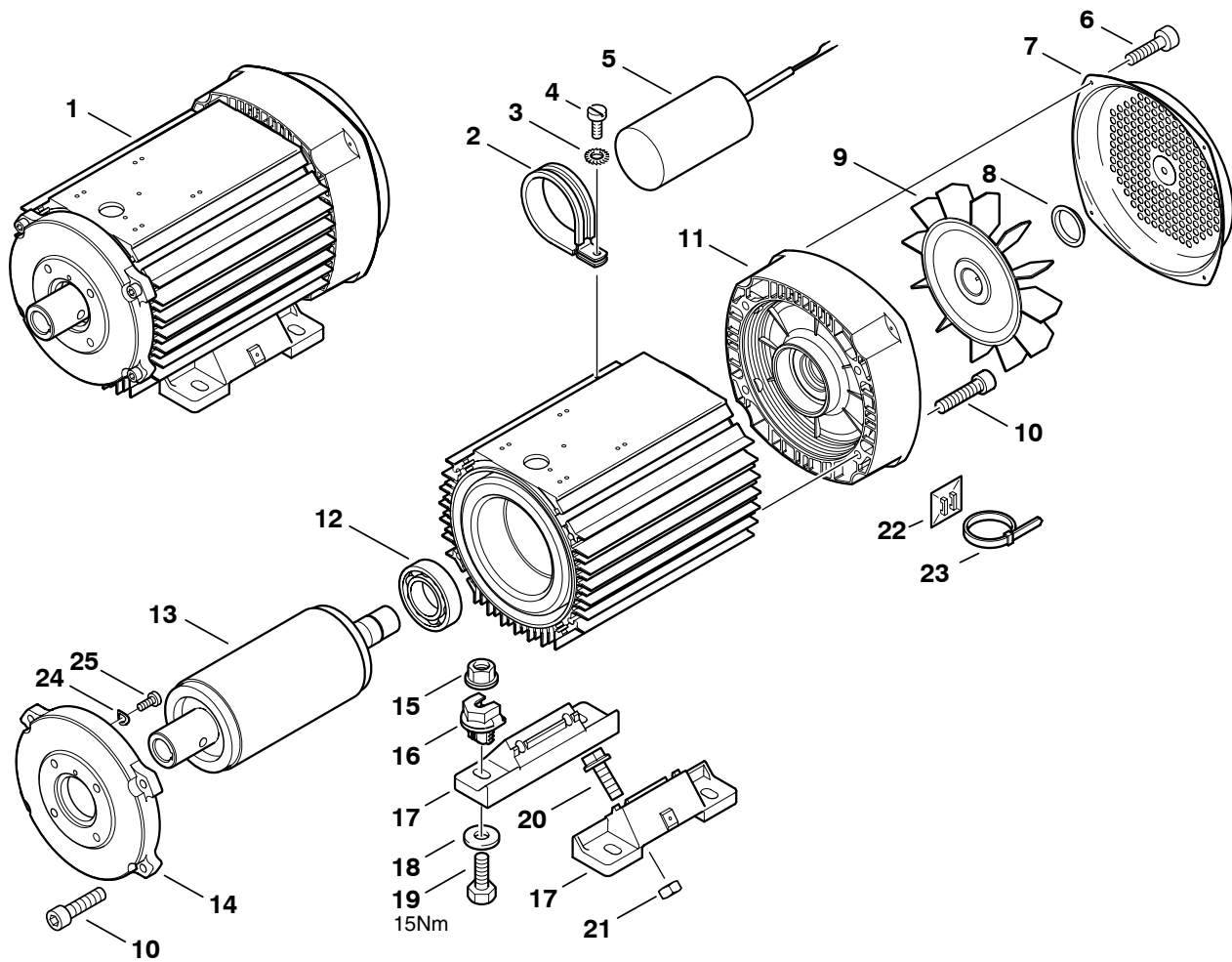


| Pos. | No. | Description | Bezeichnung | Comment Bemerkung Bemærkning | Rec. Part NEPTUNE 3 |
|------|-----------|---------------------------|--------------------------------|--|------------------------|
| 1 | 301001239 | Motor 3,2kW/230/400/3 | Motor 3,2kW/230/400/3 | 3-33, 3-33 CLASSIC | C 1 |
| 1 | 301001240 | Motor 4kW/230/400/3 | Motor 4kW/230/400/3 | 3-41 | C 1 |
| 1 | 301001536 | Motor 1,7kW/230/1 | Motor 1,7kW/230/1 | 3-22 | C 1 |
| 1 | 301001537 | Motor 2,2kW/230/1 | Motor 2,2kW/230/1 | 3-23, 3-26, 3-30, 3-30 CLASSIC | C 1 |
| 1 | 301001668 | Motor 2,0kW/110/1 | Motor 2,0kW/110/1 | 3-25 110V | C 1 |
| 1 | 301001977 | Motor 4kW/200/3 | Motor 4kW/200/3 | 3-38 | C 1 |
| 1 | 301001978 | Motor 1,4kW/120/1 | Motor 1,4kW/120/1 | 3-20 | C 1 |
| 1 | 301002395 | Motor 1kW/120/1 | Motor 1kW/120/1 | 3-17 CLASSIC | C 1 |
| 2 | 301001093 | Fastening Clip Ø50,8x16,3 | Befestigungsschelle Ø50,8x16,3 | 3-20, 3-23, 3-25, 3-26, 3-30, 3-17 CLASSIC, 3-30 CLASSIC | 1 |
| 3 | 3376 | Serrated Lock Washer Ø5,3 | Fächerscheibe Ø5,3 | 3-20, 3-23, 3-25, 3-26, 3-30, 3-17 CLASSIC, 3-30 CLASSIC | 1 |
| 4 | 3348 | Screw M5x10 | Zylinderschraube M5x10 | 3-20, 3-23, 3-25, 3-26, 3-30, 3-17 CLASSIC, 3-30 CLASSIC | 1 |
| 5 | 301001017 | Capacitor 60µF/450V | Betriebskondensator 60µF/450V | 3-23, 3-25, 3-26, 3-30, 3-30 CLASSIC | C 1 |
| 5 | 301001595 | Capacitor 90µF/400V | Betriebskondensator 90µF/400V | 3-20, 3-25 110V | C 1 |
| 5 | 301002660 | Capacitor 80µF 400V | Betriebskondensator 80µF 400V | 3-17 CLASSIC | C 1 |
| 6 | 8822 | Sheet Metal Screw 3,5x9,5 | Blechschrabe 3,5x9,5 | | 4 |
| 7 | 301001116 | Fan Housing | Lüfterhaube | 3-20, 3-23, 3-25, 3-26, 3-30, 3-30 CLASSIC, 3-33, 3-33 CLASSIC, 3-38, 3-41 | 1 |
| 7 | 301001726 | Fan Housing | Lüfterhaube | 3-17 CLASSIC, 3-22 | 1 |

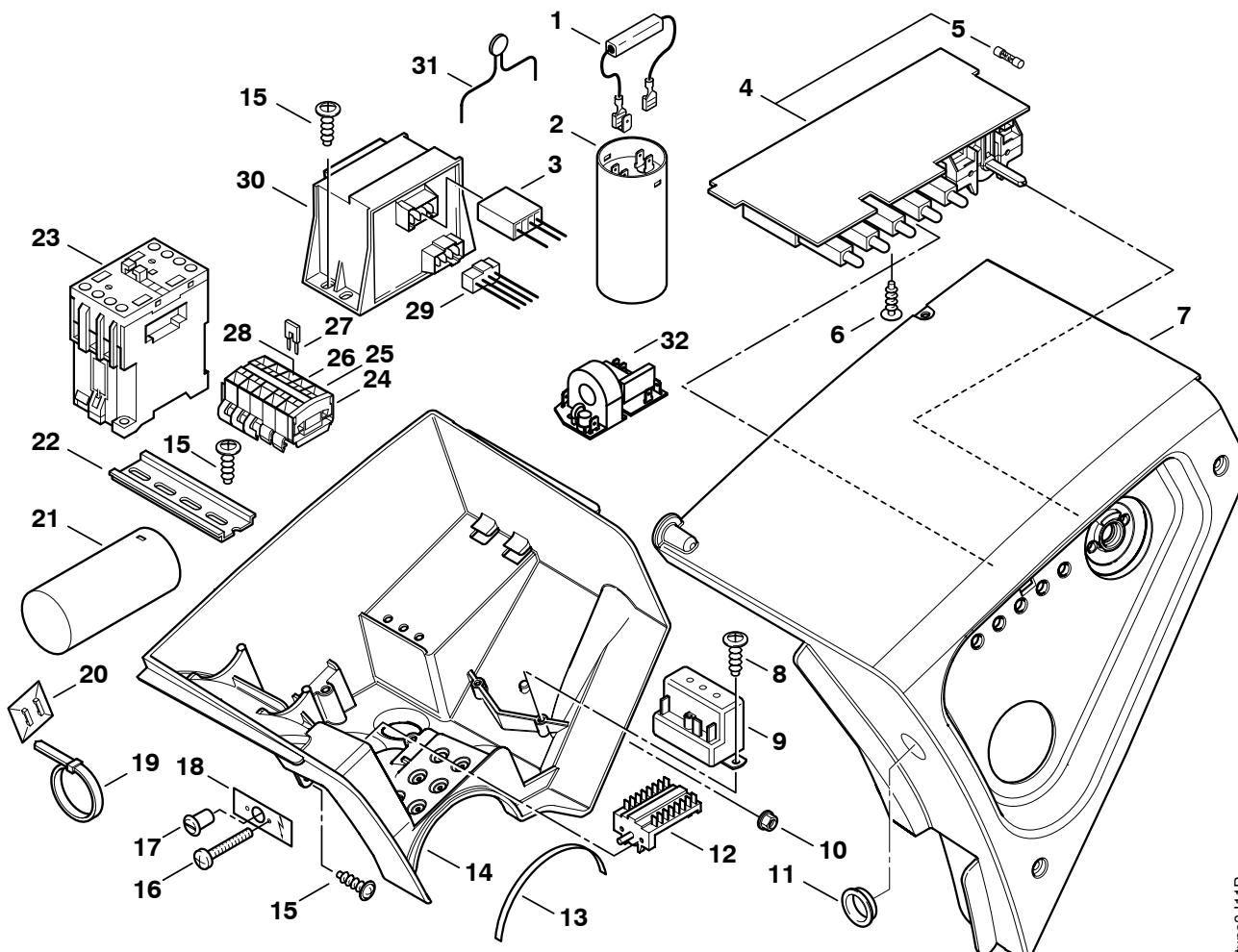
301001819 - 2007-04-23



| Pos. | No. | Description | Bezeichnung | Comment Bemerkung Bemærkning | Rec. Part NEPTUNE 3 |
|------|-----------|-------------------------|------------------------|---|------------------------|
| 8 | 301001112 | Fastening Ring | Klemmring | | 1 |
| 9 | 301001118 | Fan Wheel | Lüfterrad | 3-20, 3-23, 3-25, 3-26, 3-30, 3-30 CLASSIC, 3-33, 3-33 CLASSIC, 3-38, 3-41 | C 1 |
| 9 | 301001727 | Fan Wheel | Lüfterrad | 3-17 CLASSIC, 3-22 | C 1 |
| 10 | 15045 | Screw M6x35 | Zylinderschraube M6x35 | | 8 |
| 11 | 301001114 | Rear Bearing Cover | Lagerdeckel Hinten | 3-20, 3-23, 3-25, 3-26, 3-30, 3-30 CLASSIC, 3-33, 3-33 CLASSIC, 3-38, 3-41 | C 1 |
| 11 | 301001722 | Rear bearing cover | Lagerdeckel Hinten | 3-17 CLASSIC, 3-22 | C 1 |
| 12 | 6367 | Roller Bearing 6206-2Z | Wälzlager 6206-2Z | 3-20, 3-23, 3-25, 3-26, 3-30, 3-30 CLASSIC, 3-33, 3-33 CLASSIC, 3-38, 3-41 | C 1 |
| 12 | 9934 | Roller Bearing 6205-2Z | Wälzlager 6205-2Z | 3-17 CLASSIC, 3-22 | C 1 |
| 13 | 301001121 | Rotor Motor 2.2kW | Rotor Motor 2,2kW | 3-23, 3-25, 3-26, 3-30, 3-30 CLASSIC | C 1 |
| 13 | 301001662 | Rotor motor 1,4kW 1-ph. | Rotor Motor 1,4kW | 3-20 | C 1 |
| 13 | 301001666 | Rotor Motor 2,0kW | Rotor Motor 2,0kW | 3-25 110V | C 1 |
| 13 | 301001719 | Rotor Motor 1.7kW | Rotor Motor 1,7kW | 3-22 | C 1 |
| 13 | 301001720 | Rotor Motor 3.2kW | Rotor Motor 3,2kW | 3-33, 3-33 CLASSIC | C 1 |
| 13 | 301001721 | Rotor Motor 4kW | Rotor Motor 4kW | 3-38, 3-41 | C 1 |
| 13 | 301002508 | Rotor 1.0kW | Rotor 1.0kW | 3-17 CLASSIC | C 1 |
| 14 | 301001120 | Motorflange | Motorflansch | 3-20, 3-23, 3-25, 3-26, 3-30, 3-30 CLASSIC, 3-33, 3-33 CLASSIC, 3-38, 3-41 | 1 |



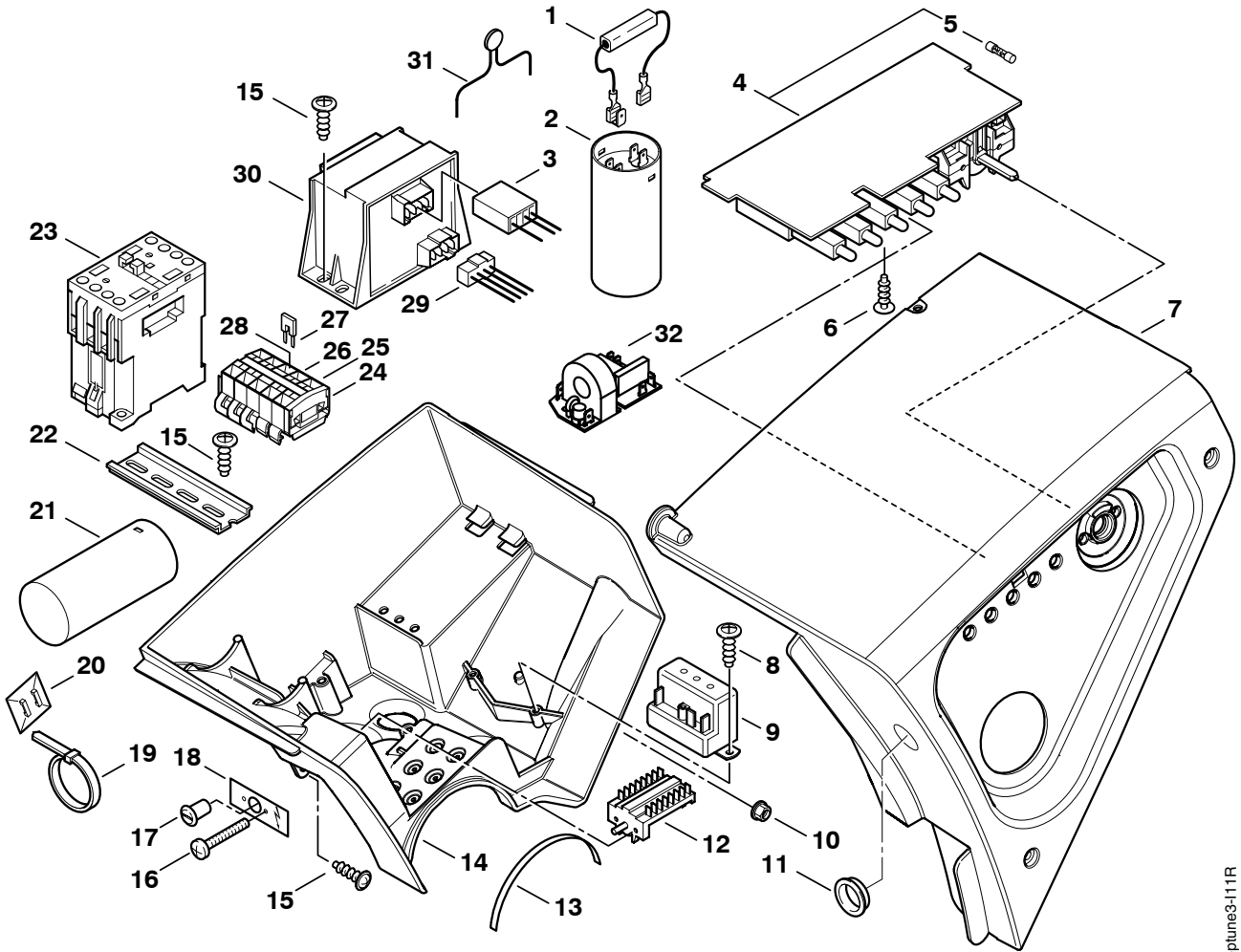
| Pos. | No. | Description | Bezeichnung | Comment Bemerkung Bemærkning | Rec. Part NEPTUNE 3 |
|------|-----------|-------------------------|--------------------------|---|------------------------|
| 14 | 301001723 | Motorflange | Motorflansch | 3-17 CLASSIC, 3-22 | 1 |
| 15 | 61467 | Hexagon Nut M8 | Sechskantmutter M8 | | 4 |
| 16 | 301001269 | Holder Nut M8 | Einpresshalter Mutter M8 | | 4 |
| 17 | 301001127 | Motor Foot H51mm | Motorfuß H51mm | 3-25 110V | 2 |
| 17 | 301001724 | Motor Foot H39mm | Motorfuß H39mm | 3-20, 3-23, 3-25, 3-26, 3-30, 3-30 CLASSIC, 3-33, 3-33 CLASSIC, 3-38, 3-41 | 2 |
| 17 | 301001725 | Motor Foot H44mm | Motorfuß H44mm | 3-17 CLASSIC, 3-22 | 2 |
| 18 | 2793 | Washer 8,4x2 | Scheibe 8,4x2 | | 4 |
| 19 | 2751 | Screw M8x35 | Sechskantschraube M8x35 | | 4 |
| 20 | 27372 | Screw M8x20 | Schraube M8x20 | | 4 |
| 21 | 6052 | Hexagon Nut M8 | Sechskantmutter M8 | | 4 |
| 22 | 2423 | Adhesive Clip TY8 | Klebeschelle TY8 | 01.10.2006=> | 1 |
| 23 | 15884 | Cable Strap 4,7x1,3x350 | Kabelband 4,7x1,3x350 | 01.10.2006=> | 1 |
| 24 | 1801182 | Spring washer | | | 4 |
| 25 | 1803949 | Screw M8x20 | | | 4 |



Neptune3-11R

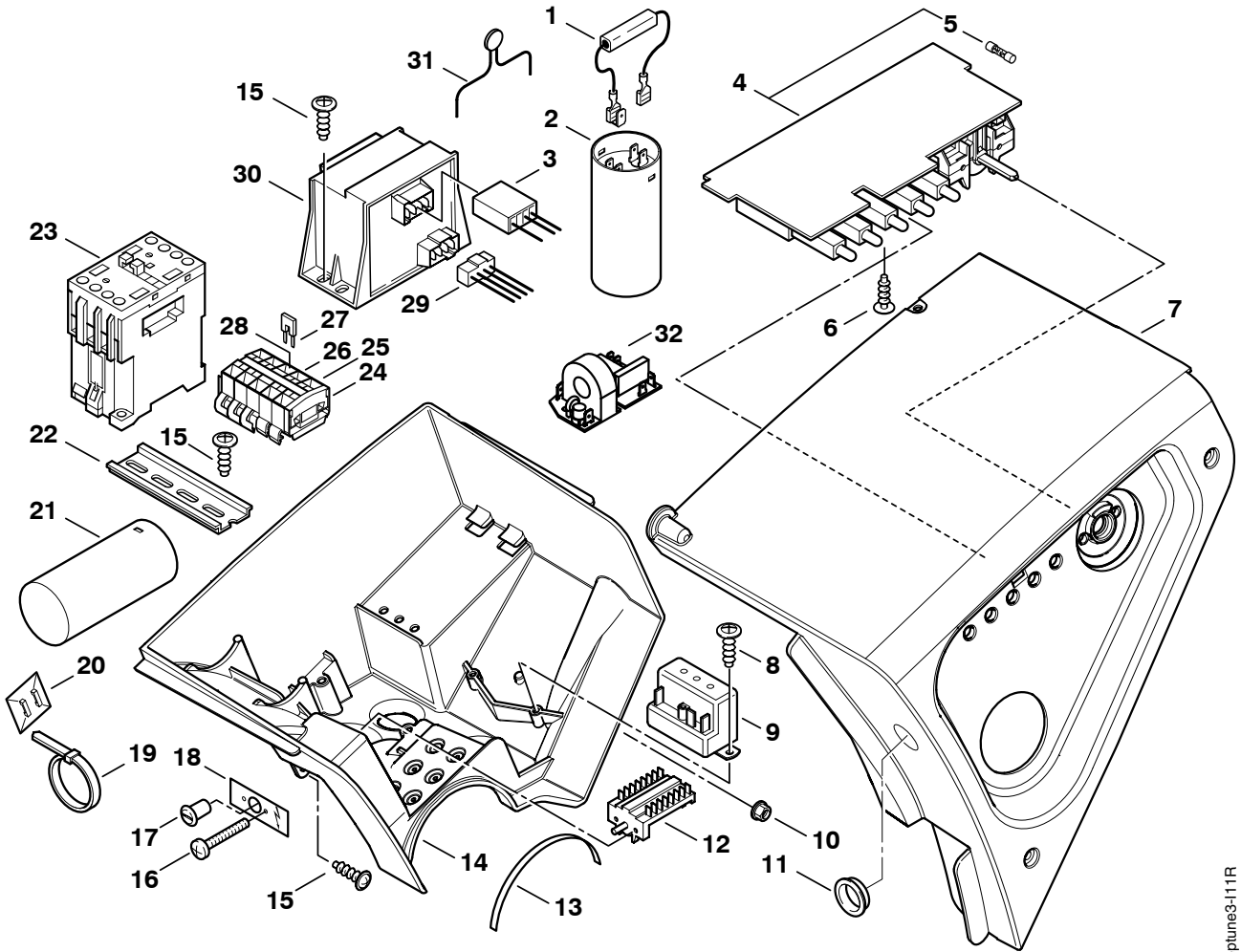
| Pos. | No. | Description | Bezeichnung | Comment Bemerkung Bemærkning | Rec. Part NEPTUNE 3 |
|------|-----------|------------------------------|------------------------------|--|------------------------|
| 1 | 301000402 | Resistance 15kOhm/7W | Widerstand 15kOhm/7W | 3-20, 3-23, 3-25, 3-26, 3-30, 3-17 CLASSIC, 3-30 CLASSIC | C 1 |
| 2 | 301001056 | Starting capacitor 98µF/330V | Anlaufkondensator 98µF/330V | 3-20, 3-23, 3-25, 3-26, 3-30, 3-17 CLASSIC, 3-30 CLASSIC | C 1 |
| 3 | 301001236 | Wire 2-pol./230V | Leitung 2-pol./230V | 3-17 CLASSIC, 3-20, 3-22, 3-23, 3-25, 3-26, 3-30, 3-30 CLASSIC | 1 |
| 3 | 301001237 | Wire 2-pol./400V | Leitung 2-pol./400V | 400/3/50 3-33, 3-33 CLASSIC, 3-41 *EU*, 3-38 *JP* | 1 |
| 3 | 301001238 | Wire 3-pol. | Leitung 3-pol. | 230/400/3/50 3-33, 3-41 *BE*NO* | 1 |
| 4 | 301001230 | Main Circuit Board | Steuerelektronik | 3-17 CLASSIC, 3-22, 3-30 CLASSIC, 3-33 CLASSIC | C 1 |
| 4 | 301001231 | Main Circuit Board | Steuerelektronik | 3-20, 3-23, 3-25, 3-26, 3-30, 3-33, 3-38, 3-41 | C 1 |
| 5 | 3812385 | Fuse 6,3A/250V/T' Ø5x20 | Sicherung 6,3A/250V/T' Ø5x20 | | C 1 |
| 5 | 3812625 | Fuse 2A/250V/T' Ø5x20 | Sicherung 2A/250V/T' Ø5x20 | | C 1 |
| 6 | 16860 | Screw 4x12 | Schraube 4x12 | | 1 |
| 7 | 301001212 | Cover El.Box | Deckel Schaltkasten | | 1 |
| 8 | 16860 | Screw 4x12 | Schraube 4x12 | 3-20, 3-23, 3-25, 3-26, 3-30, 3-17 CLASSIC, 3-30 CLASSIC | 2 |
| 9 | 11060 | Starter Relay 220V AC | Anlassrelais 220V AC | 3-20, 3-23, 3-25, 3-26, 3-30, 3-17 CLASSIC, 3-30 CLASSIC | C 1 |
| 10 | 12496 | Hexagon Nut M6 | Sechskantmutter M6 | | 1 |

301001819 - 2007-04-23



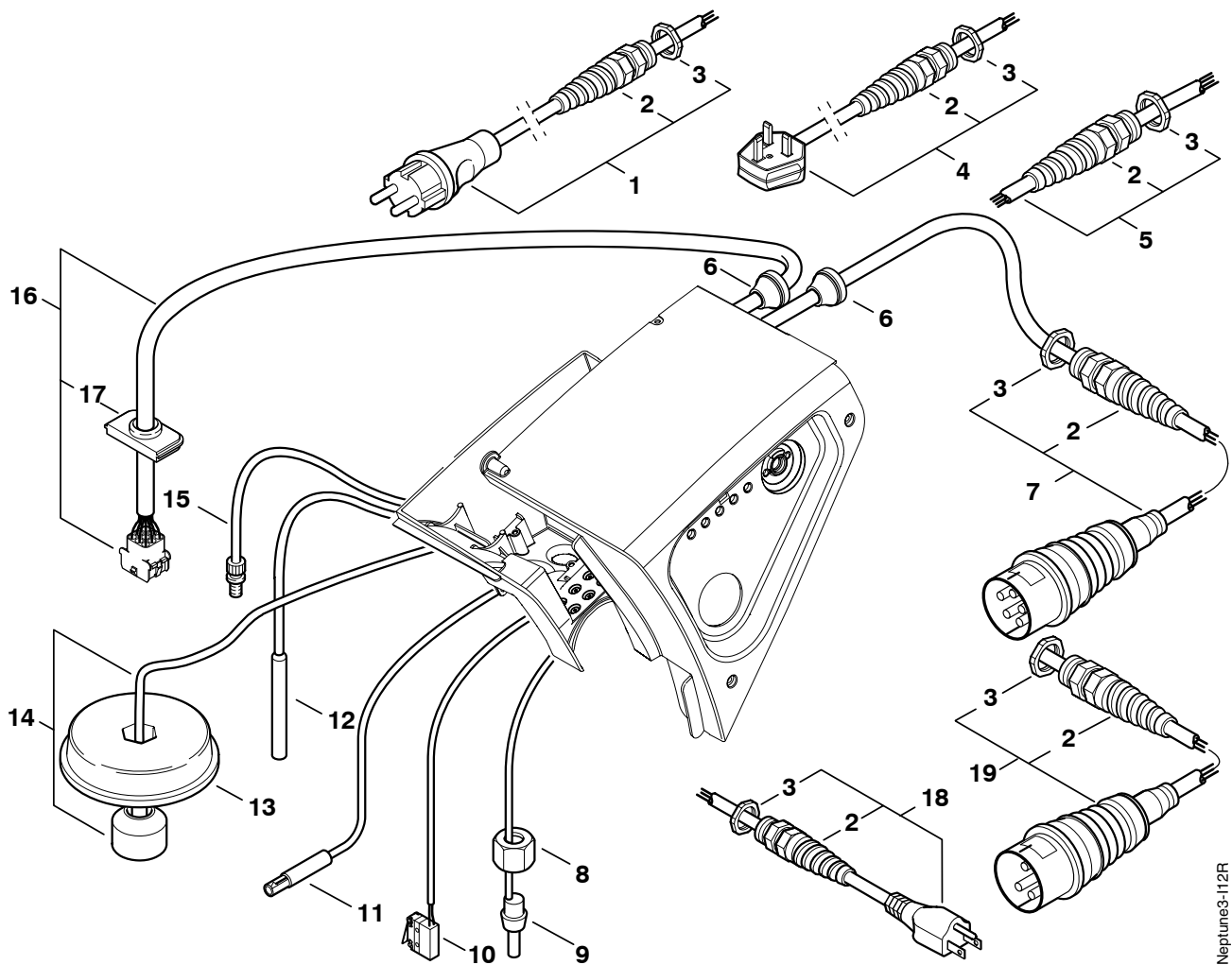
Neptune3-11R

| Pos. | No. | Description | Bezeichnung | Comment Bemerkung Bemærkning | Rec. Part NEPTUNE 3 |
|------|-----------|------------------------------------|------------------------------------|--|------------------------|
| 11 | 63800 | Plug Ø24,3xØ26,4 | Stopfen Ø24,3xØ26,4 | 230/400/3/50 3-33, 3-41 *BE*NO* | 1 |
| 12 | 301000293 | Switch Start/Triangle 16A | DrehSchalter Stern-Dreieck 16A | 230/400/3/50 3-33, 3-41 *BE*NO* | C 1 |
| 13 | 301001811 | Gasket 500x7x2 | Dichtung 500x7x2 | | 1 |
| 14 | 301001210 | El-box Base | Schaltkastenunterteil | | 1 |
| 15 | 10028 | Screw 5x14 | Schraube 5x14 | | 5 |
| 16 | 40045 | Pan Head Screw M4x30 | Flachkopfschraube M4x30 | 230/400/3/50 3-33, 3-41 *BE*NO* | 2 |
| 17 | 64580 | Rotary knob | Drehknopf | 230/400/3/50 3-33, 3-41 *BE*NO* | 1 |
| 18 | 64586 | Label "Change 230-400V" | Klebeschild "230-400V Umschaltung" | 230/400/3/50 3-33, 3-41 *BE*NO* | 1 |
| 19 | 15884 | Cable Strap 4,7x1,3x350 | Kabelband 4,7x1,3x350 | 3-22 | 2 |
| 20 | 2423 | Adhesive Clip TY8 | Klebeschelle TY8 | 3-22 | 2 |
| 21 | 3821343 | Capacitor 50µF | Kondensator(Betrieb) 50µF | 3-22 | C 1 |
| ↔ | 22290 | Mounting Rail | Gerätetragschiene | | 1 |
| 23 | 63903 | Contacteur 100-C16KJ10 24V/50-60Hz | Schütz 100-C16KJ10 24V/50-60Hz | 230/400/3/50 3-33, 3-41 *BE*NO*, 3-20, 3-25, 3-26 *EU*KR*, 3-30, 3-30 CLASSIC, 3-38 | C 1 |
| 23 | 63907 | Contacteur 100-C23KF10 24/50-60 | Schütz 100-C23KF10 24/50-60 | 3-25 110V | C 1 |
| 23 | 301001228 | Contacteur 100-M12NKD3 24/50-60 | Schütz 100-M12NKD3 24/50-60 | 400/3/50 3-33, 3-33 CLASSIC, 3-41 *EU* 3-22 *EU*GB* | C 1 |
| 24 | 301000689 | End Plate 4mm | Abschlussplatte 4mm | | 1 |



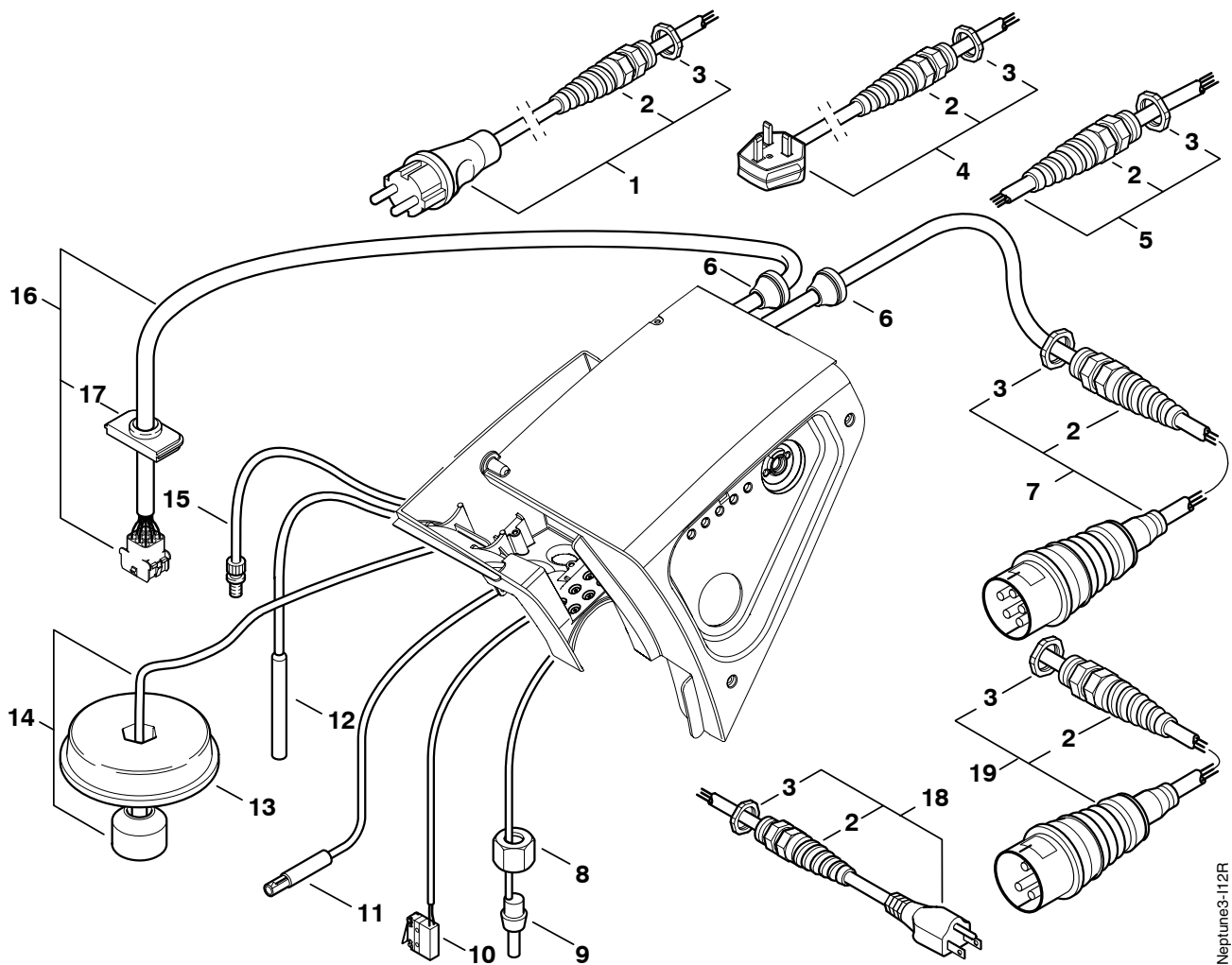
Neptune3-11R

| Pos. | No. | Description | Bezeichnung | Comment Bemerkung Bemærkning | Rec. Part NEPTUNE 3 |
|------|-----------|------------------------------------|------------------------------------|--|------------------------|
| 25 | 301000688 | Wire Terminal 4x2,5mm | Reihen клемме 4x2,5mm ² | 230/400/3/50 3-33, 3-41 *BE*NO*, 3-22, 3-23, 3-26, 400/3/50 3-33, 3-41 *EU* | 1 |
| 26 | 301000687 | Wire terminal 2x2,5mm | Reihen клемме 2x2,5mm ² | 3-22, 3-23, 3-26 | 2 |
| 27 | 301000683 | Jumper | Einlegebrücke Isoliert 2-fach | 400/3/50 3-33, 3-33 CLASSIC, 3-41 *EU* | 1 |
| 28 | 301000686 | Wire Terminal 4x2,5mm ² | Reihen клемме 4x2,5mm ² | | 2 |
| 29 | 301000722 | Wire H07V-K | Leitung H07V-K | | 1 |
| 30 | 301000681 | Transformer 230V/400V 24V/8V | Steuertrafo 230V/400V 24V/8V | | C 1 |
| 30 | 301001059 | Transformer 220V/460V 24V/8V | Steuertrafo 220V/460V 24V/8V | 3-26 60Hz | C 1 |
| 30 | 301001060 | Transformer 115V/200V 24V/8V | Steuertrafo 115V/200V 24V/8V | 3-17 CLASSIC, 3-20, 3-38 | C 1 |
| 31 | 301002353 | Current Limiter 5W | Strombegrenzer 5W | 3-20, 3-23, 3-25, 3-26, 3-30, 3-17 CLASSIC, 3-30 CLASSIC, | 1 |
| 32 | 301001991 | Electronic 1ph 24Vac | Elektronik 1ph 24Vac | 3-25 110V | 1 |



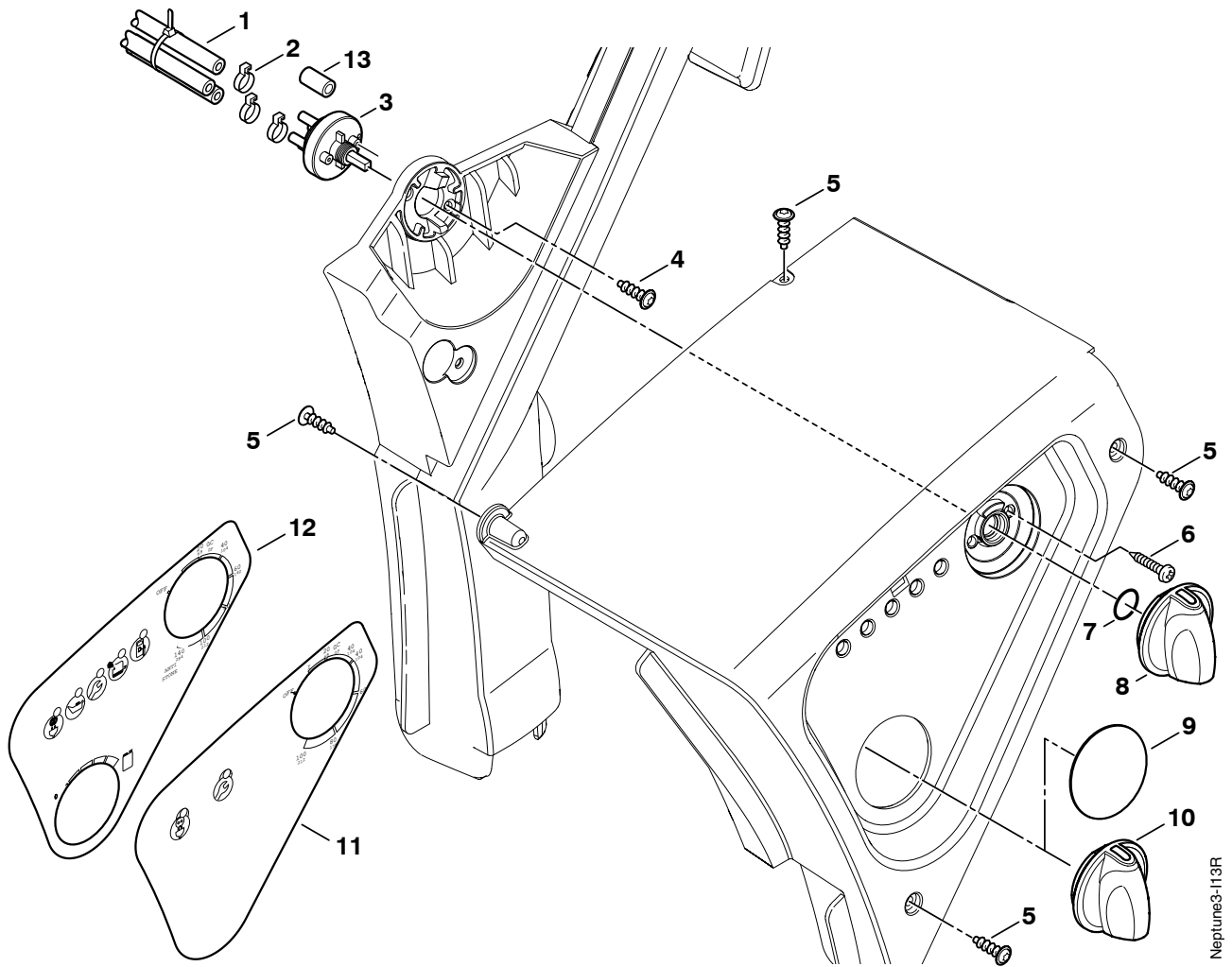
Neptune3-112R

| Pos. | No. | Description | Bezeichnung | Comment Bemerkung Remarque Bemærkning | Rec. Part NEPTUNE 3 |
|------|-----------|----------------------------|------------------------------|---|------------------------|
| 1 | 301000829 | Power Cord H07RN-F 3G1,5x6 | Netzleitung H07RN-F 3G1,5x6 | 230/1/50 3-22, 3-26 *EU*KR* | 1 |
| 2 | 909100043 | Cord Fixing M20x1,5 | Kabelverschraubung M20x1,5 | | 1 |
| 2 | 909100198 | Cord Fixing M25x1,5 | Kabelverschraubung M25x1,5 | 3-25 110V | 1 |
| 3 | 909100019 | Hexagon Nut M20x1,5 | Sechskantmutter M20x1,5 | | 1 |
| 3 | 909100020 | Hexagon Nut M25x1,5 | Sechskantmutter M25x1,5 | 3-25 110V | 1 |
| 4 | 301000912 | Power Cord H07RN-F 3G1,5x6 | Netzleitung H07RN-F 3G1,5x6 | 230/1/50 3-22, 3-23 *GB*, 3-25 | 1 |
| 5 | 301000833 | Power Cord H07RN-F 4G2,5x6 | Netzleitung H07RN-F 4G2,5x6 | 230/400/3/50 3-33, 3-41 *BE*NO* | 1 |
| 5 | 301001913 | Power Cord VCT 4x2x11 | Netzleitung VCT 4x2x11 | 3-38 | 1 |
| 6 | 3803780 | Grommet 10-14C | Kabeltülle 10-14C | | 2 |
| 7 | 301000834 | Power Cord H07RN-F 4G1,5x6 | Netzleitung H07RN-F 4G1,5x6 | 400/3/50 3-33, 3-33 CLASSIC, 3-41 *EU* | 1 |
| 8 | 1081 | Union Nut L 12 | Überwurfmutter L 12 | | 1 |
| 9 | 301000730 | Temperature Sensor | Temperaturfühler | | C 1 |
| 10 | 301000731 | End Switch 250V 0,1A | Endschalter 250V 0,1A | | C 1 |
| 11 | 301000729 | Flame Sensor | Fühler | Option | C 1 |
| 12 | 301002458 | Reed contact Ø8x75 | Rohrmagnetschalter Ø8x75 | | C 1 |
| 13 | 301000615 | Cover Ø70x15,5 | Deckel Ø70x15,5 | 3-20, 3-23, 3-25, 3-26, 3-30, 3-33, 3-38, 3-41 | 1 |
| 14 | 301001196 | Float Switch 10VA | Schwimmerschalter 10VA | 3-20, 3-23, 3-25, 3-26, 3-30, 3-33, 3-38, 3-41 | C 1 |
| 15 | 301000732 | Thermo Fuse 108°C | Thermosicherung 108°C | | C 1 |
| 16 | 301000724 | Cord Motor 9-pol. | Leitung Motor 9-pol. | 3-25 110V | C 1 |
| 16 | 301000725 | Cord Motor 9-pol. | Leitung Motor 9-pol. Dreieck | 3-38 | C 1 |

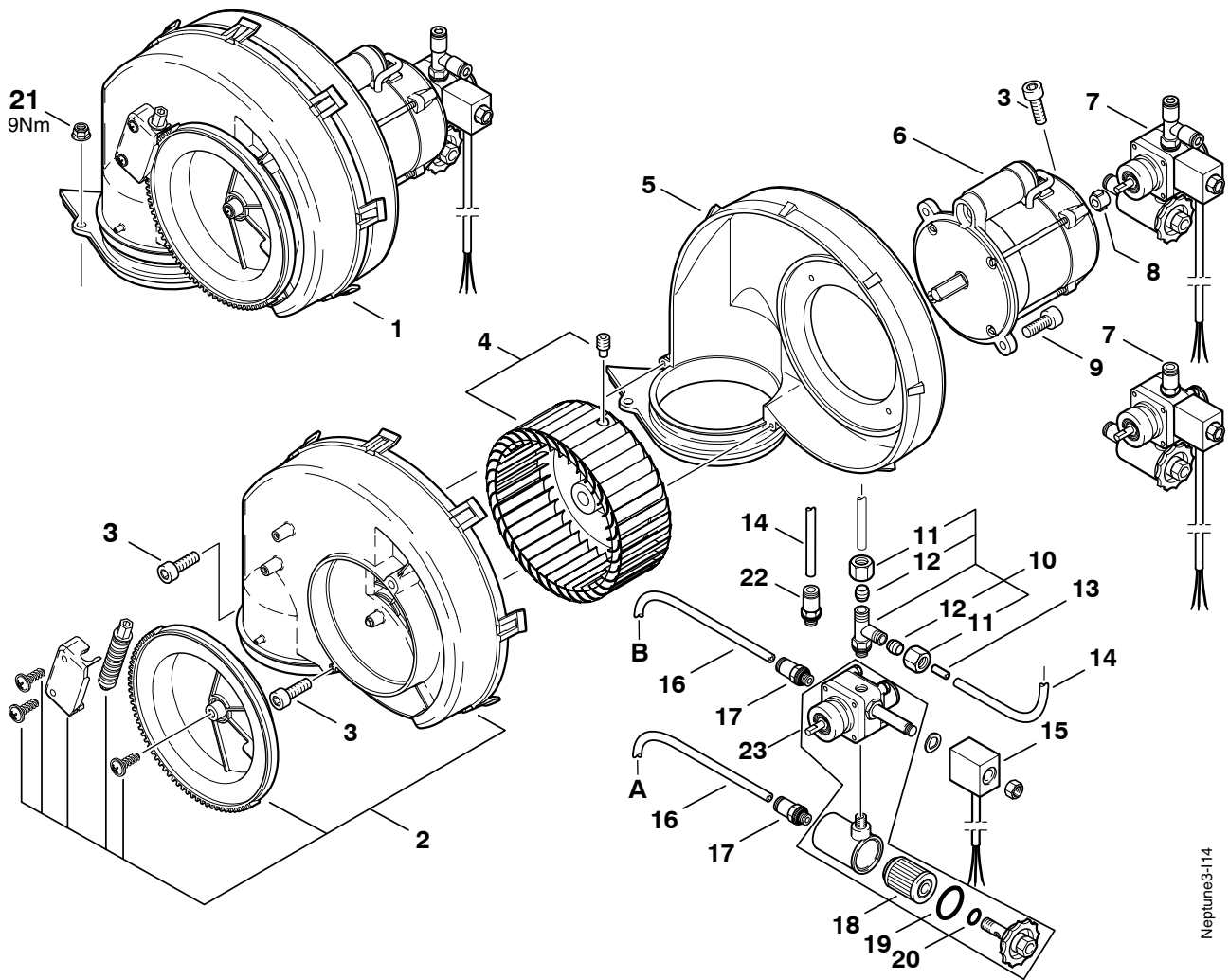


Neptune3-112R

| Pos. | No. | Description | Bezeichnung | Comment Bemerkung Bemærkning | Rec. Part NEPTUNE 3 |
|------|-----------|-----------------------------|-----------------------------------|---|------------------------|
| 16 | 301000726 | Cord Motor 7-pol. Klixon | Leitung Motor 7-pol. Klixon | 3-20, 3-23, 3-25, 3-26, 3-30, 3-17 CLASSIC, 3-30 CLASSIC, *EU*GB* | C 1 |
| 16 | 301000727 | Cord Motor 9-pol. | Leitung Motor 9-pol. Stern | 400/3/50 3-33, 3-33 CLASSIC, 3-41 *EU* | C 1 |
| 16 | 301000728 | Cord Motor 9-pol. 230V/400V | Leitung Motor 9-pol. Umschaltbar | 230/400/3/50 3-33, 3-41 *BE*NO* | C 1 |
| 16 | 301001582 | Cord Motor 7-pol.1ph | Leitung Motor 7-pol.1ph | 3-22 *EU*GB* | C 1 |
| 17 | 17106 | Insert 29x52 | Einsatz 29x52 | | 1 |
| 18 | 3821142 | Power cord SJTWAWG 12/3x11 | Netzleitung SJTWAWG 12/3x11 | 3-30, 3-30 CLASSIC | 1 |
| 18 | 3821316 | Power cord AWG12/3x11 SJTOW | Netzleitung SJTOW AWG12/3x11 *US* | 3-20 | 1 |
| 18 | 301002393 | Power cord 3x11,5 | Netzleitung 3x11,5 | 3-17 CLASSIC | 1 |
| 19 | 301001992 | Power Cord H07BQ-F 3G4x6 | Netzleitung H07BQ-F 3G4x6 | 3-25 110V | 1 |

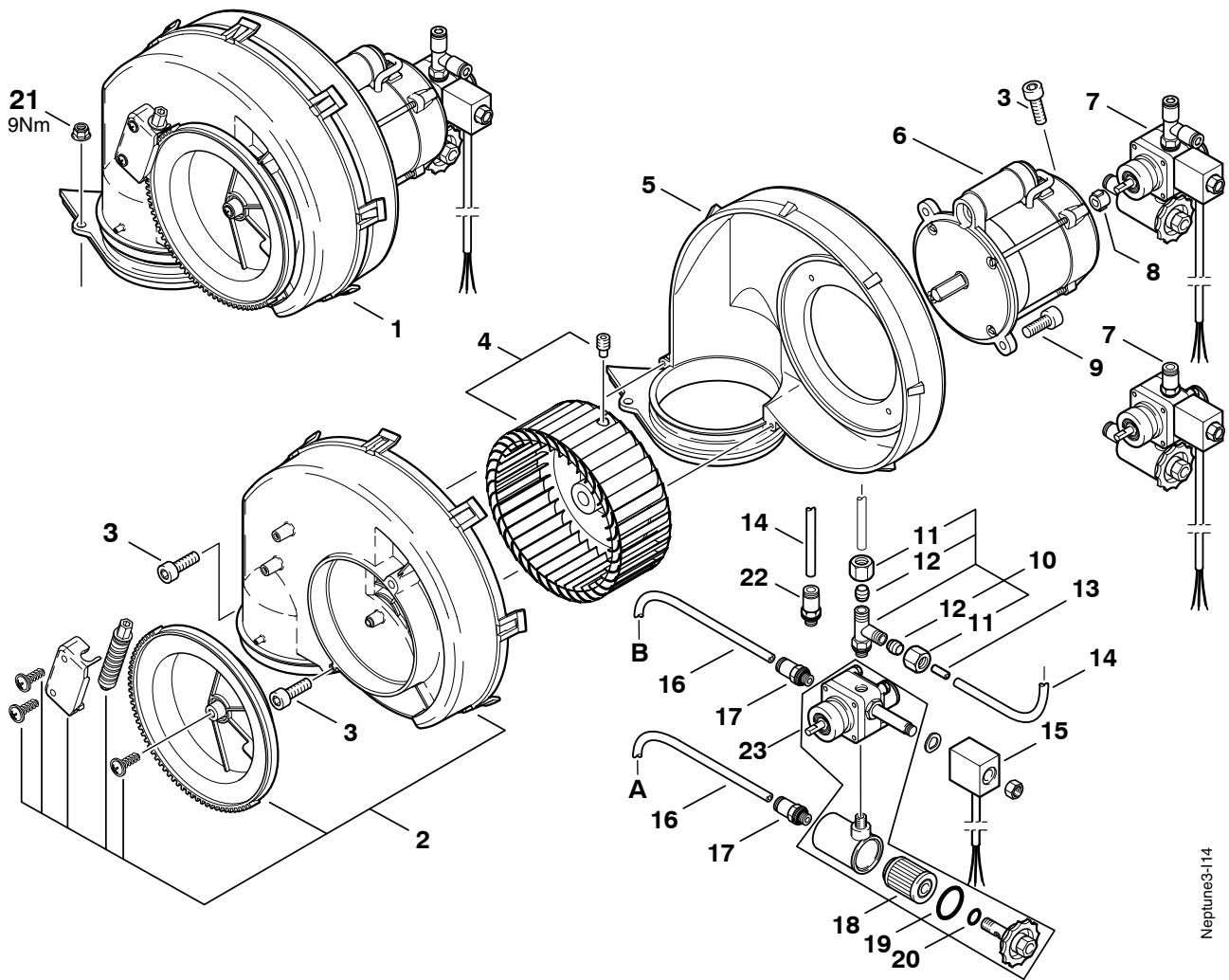


| Pos. | No. | Description | Bezeichnung | Comment Bemerkung Bemærkning | Rec. Part NEPTUNE 3 | |
|------|-----|-------------|-------------------------|------------------------------------|--|-----|
| ◇ | 1 | 4973 | Hose Ø6x3 | Schlauch Ø6x3 | | 1 |
| | 2 | 11654 | Hose Clamp Ø11,5 | Schlauchklemme Ø11,5 | | 3 |
| | 3 | 301001000 | Valve Ø51x70 | Dosierventil Ø51x70 | | C 1 |
| | 4 | 1814730 | Screw 3,5x10 | Schraube 3,5x10 | | 2 |
| | 5 | 1814614 | Screw 5x18 | Schraube 5x18 | | 5 |
| | 6 | 19527 | Countersunk Screw M4x10 | Senkschraube M4x10 | | 2 |
| | 7 | 9868 | O-ring Ø10x2,5 | O-Ring Ø10x2,5 | | 1 |
| | 8 | 909100204 | Rotary Knob Ø6x5 | Drehknopf Ø6x5 | | 1 |
| | 9 | 301001681 | Cover Plate Ø52,5x4 | Abdeckscheibe Ø52,5x4 | 3-17 CLASSIC, 3-22, 3-30 CLASSIC, 3-33 CLASSIC | 1 |
| | 10 | 909100214 | Rotary Knob 4kt. | Drehknopf 4kt. | 3-20, 3-23, 3-25, 3-26, 3-30, 3-33, 3-38, 3-41 | 1 |
| | 11 | 301001226 | Label | Klebeschild Bedienfeld | 3-17 CLASSIC, 3-22, 3-30 CLASSIC, 3-33 CLASSIC | 1 |
| | 12 | 301001227 | Label | Klebeschild Bedienfeld | 3-20, 3-23, 3-25, 3-26, 3-30, 3-33, 3-38, 3-41 | 1 |
| | 13 | 301001906 | Closing Cap Ø12x21,5 | Verschlusskappe Ø12x21,5 | | 1 |



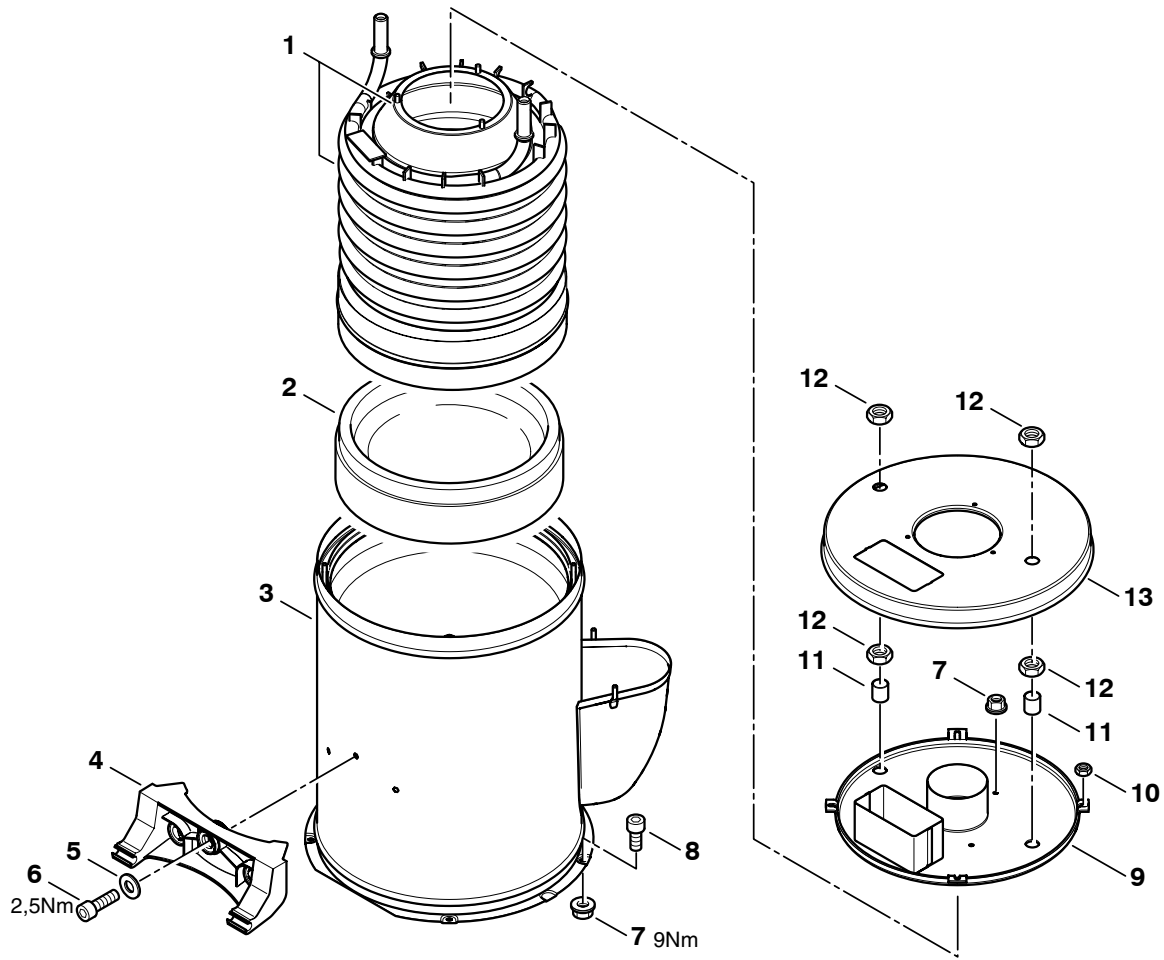
Neptune3-114

| Pos. | No. | Description | Bezeichnung | Comment Bemerkung Remarque Bemærkning | Rec. Part NEPTUNE 3 |
|------|-----------|-------------------------------------|------------------------------------|---|------------------------|
| 1 | 301000908 | Burner Fan Housing Compl. | Gebälsegehäuse Vorm. | *EU*BE*NO* 3-22, 3-26, 3-33, 3-33 CLASSIC, 3-41 | 1 |
| 1 | 301001358 | Burner Fan Housing "Kerosin" | Gebälsegehäuse Vorm. "Kerosin" | *GB* 230V 3-22, 3-23, 3-25 | 1 |
| 1 | 301001377 | Burner Fan Housing Compl. "Kerosin" | Gebälsegehäuse Vorm. "Kerosin" | 3-17 CLASSIC, 3-20, 3-25 110V | 1 |
| 1 | 301001395 | Burner Fan Housing Compl. "Kerosin" | Gebälsegehäuse Vorm. "Kerosin" | 3-26 60 Hz, 3-30, 3-30 CLASSIC, 3-38 | 1 |
| 2 | 301000852 | Cover Fan Housing | Abdeckung Gebläse Vorm. | | 1 |
| 3 | 32535 | Screw M5x16 | Zylinderschraube M5x16 | | 3 |
| 4 | 301000889 | Fan wheel Ø160x60 | Gebälserad Ø160x60 | | 1 |
| 4 | 301002126 | Fan wheel Ø146x62 | Gebälserad Ø146x62 | 3-17 CLASSIC, 3-20, 3-25 110V | 1 |
| 5 | 301000495 | Housing | Gehäuse | | 1 |
| 6 | 301000880 | Burner Motor 180/250W/110V/50-60Hz | Brennermotor 180/250W/110V/50-60Hz | 3-17 CLASSIC, 3-20, 3-25 110V | C 1 |
| 6 | 301000881 | Burner Motor 390W/200-220V/50-60Hz | Brennermotor 390W/200-220V/50-60Hz | 3-26 60Hz, 3-30, 3-30 CLASSIC, 3-38 | C 1 |
| 6 | 301000882 | Burner Motor 180W/230V/50Hz | Brennermotor 180W/230V/50Hz | | C 1 |
| 7 | 301000888 | Fuelpump 24V | Brennstoffpumpe 24V | *EU*BE*NO* =>31.03.2005 | C 1 |
| 7 | 301001348 | Fuelpump 24V "Kerosin" | Brennstoffpumpe 24V "Kerosin" | *GB*US*KR*JP* =>31.03.2005 | C 1 |
| 7 | 301002131 | Fuelpump 24V | Brennstoffpumpe 24V | *EU*BE*NO* 01.04.2005=> | C 1 |
| 7 | 301002133 | Fuelpump 24V "Kerosin" | Brennstoffpumpe 24V "Kerosin" | *GB*US*KR*JP* 01.04.2005=> | C 1 |
| 8 | 1226 | Coupling | Kupplung | | 1 |



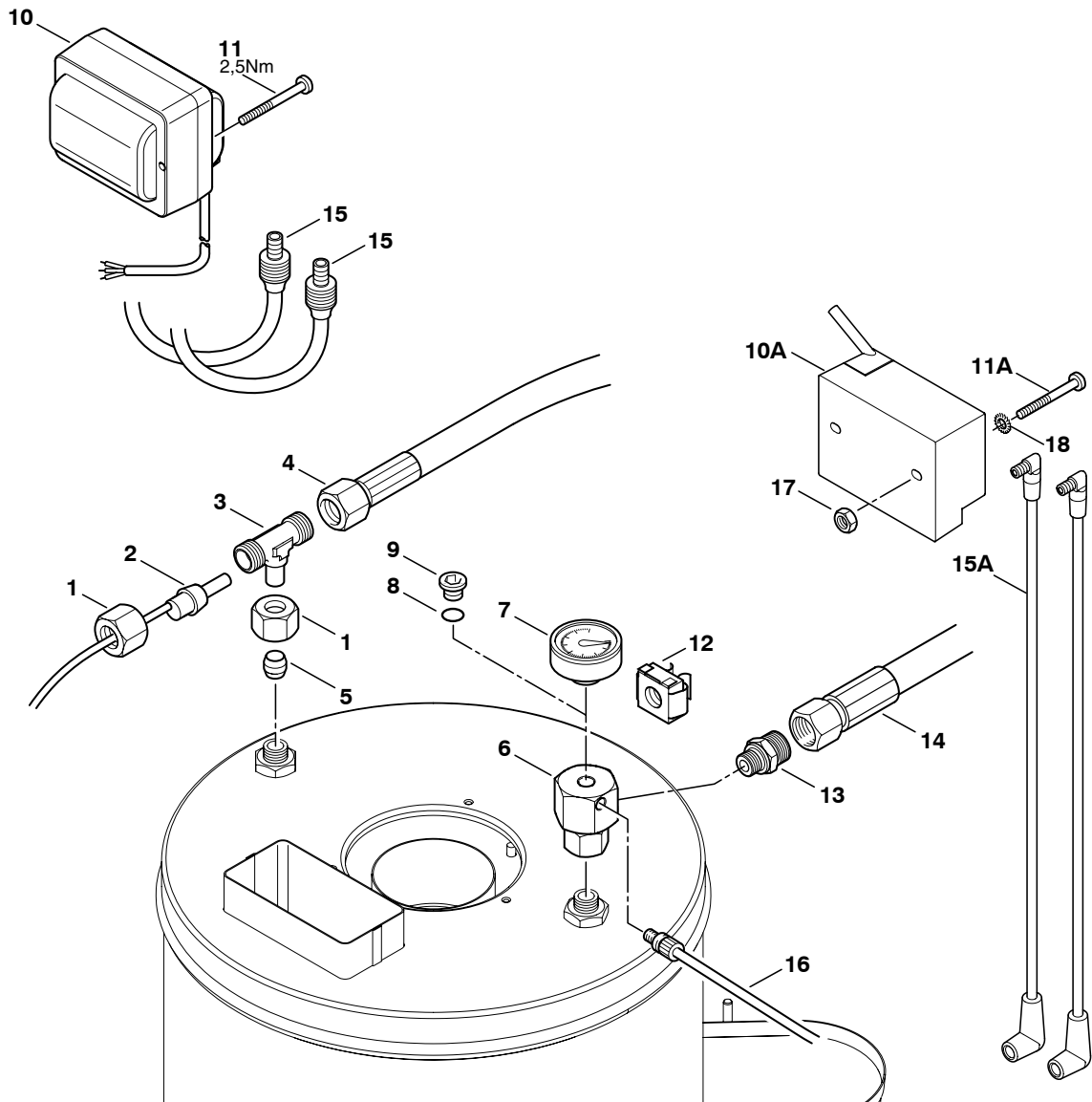
Neptune3-114

| Pos. | No. | Description | Bezeichnung | Comment Bemerkung Bemærkning | Rec. Part NEPTUNE 3 |
|------|-----------|--------------------------------------|--|---|------------------------|
| 9 | 4697 | Screw M6x16 | Zylinderschraube M6x16 | | 2 |
| 10 | 909100142 | Threaded Joint L-type | Verschraubung L-Einschr. | =>31.03.2005 | 1 |
| 11 | 1603430 | Union Nut L 4 | Überwurfmutter L 4 | =>31.03.2005 | 2 |
| 12 | 1603448 | Ring L 4 | Schneidring L 4 | =>31.03.2005 | 2 |
| 13 | 301000914 | Support Ø4x14 | Stützhülse Ø4x14 | 3-23, 3-25, 3-26, 3-33, 3-41=>31.03.2005 | 1 |
| 13 | 301001180 | Plug Ø4 | Verschluss Ø4 | =>31.03.2005 '3-22 | 1 |
| ⇨ | 14 | 909100141 | Pipe Ø4x1 | | 1 |
| 15 | 60993 | Solenoid w.Wire 24V/50-60Hz | Spule m.Kabel 24V/50-60Hz | | C 1 |
| ⇨ | 16 | 17710 | Pipe Ø6x1 | | 1 |
| 17 | 29599 | Union Piece Ø6 G1/8"R12" | Verschraubung Ø6 G1/8"R12" | | 2 |
| 18 | 1756 | Filter Cartridge | Filtereinsatz | | C 1 |
| 19 | 40907 | O-ring Ø31,47x1,78 | O-Ring Ø31,47x1,78 | | 1 |
| 20 | 9868 | O-ring Ø10x2,5 | O-Ring Ø10x2,5 | | 1 |
| 21 | 12496 | Hexagon Nut M6 | Sechskantmutter M6 | | 2 |
| 22 | 301002070 | Union Piece Ø4/G1/8" | Steckverbinder Ø4/G1/8" | 01.04.2005=> | 1 |
| 23 | 301002100 | Base-Fuel pump with Filter "Kerosin" | Basis-Brennstoffpumpe mit Filter "Kerosin" | | 1 |
| 23 | 301002101 | Base-Fuel pump with Filter | Basis-Brennstoffpumpe mit Filter | | 1 |

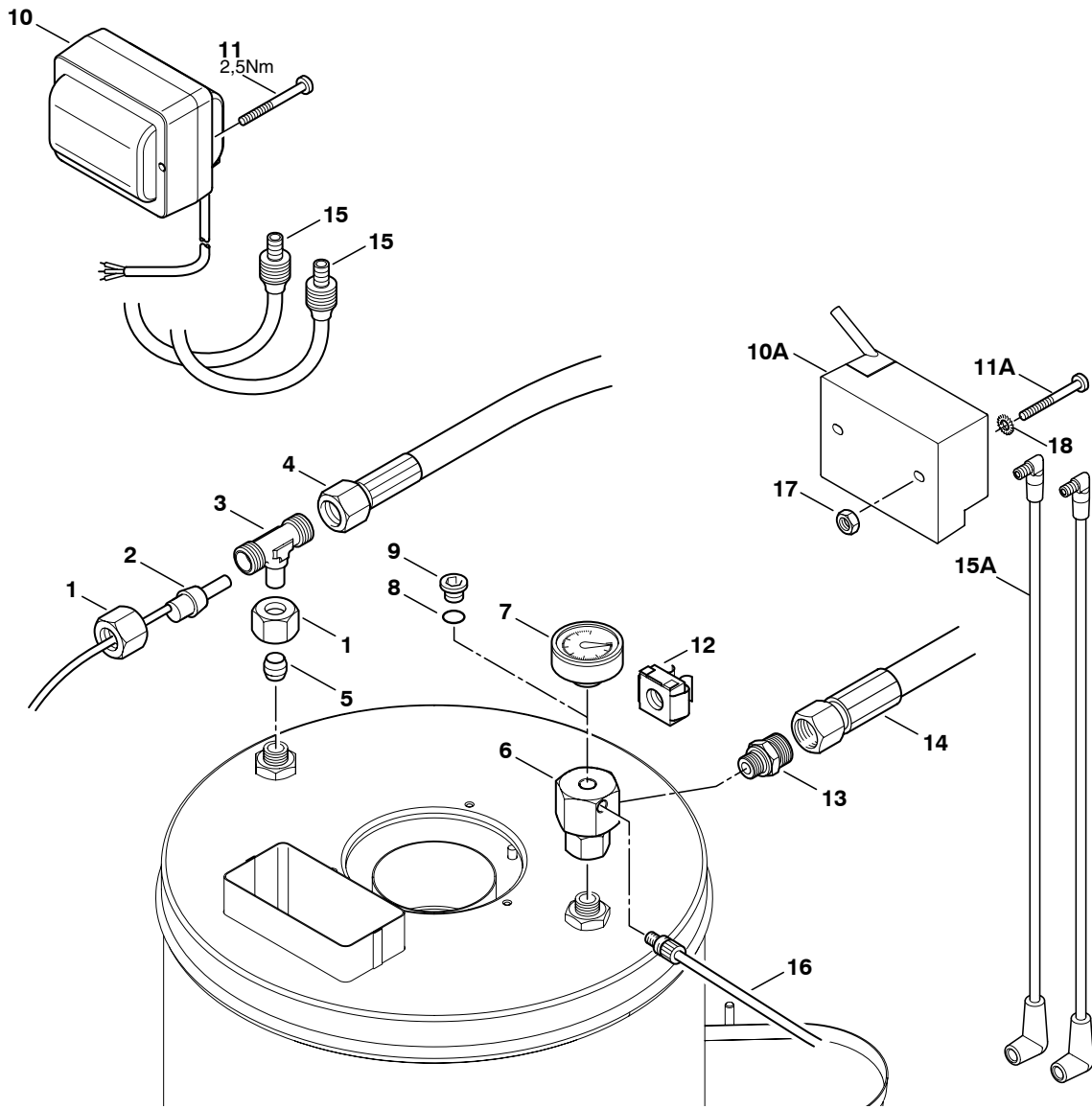


Neptune3-115R

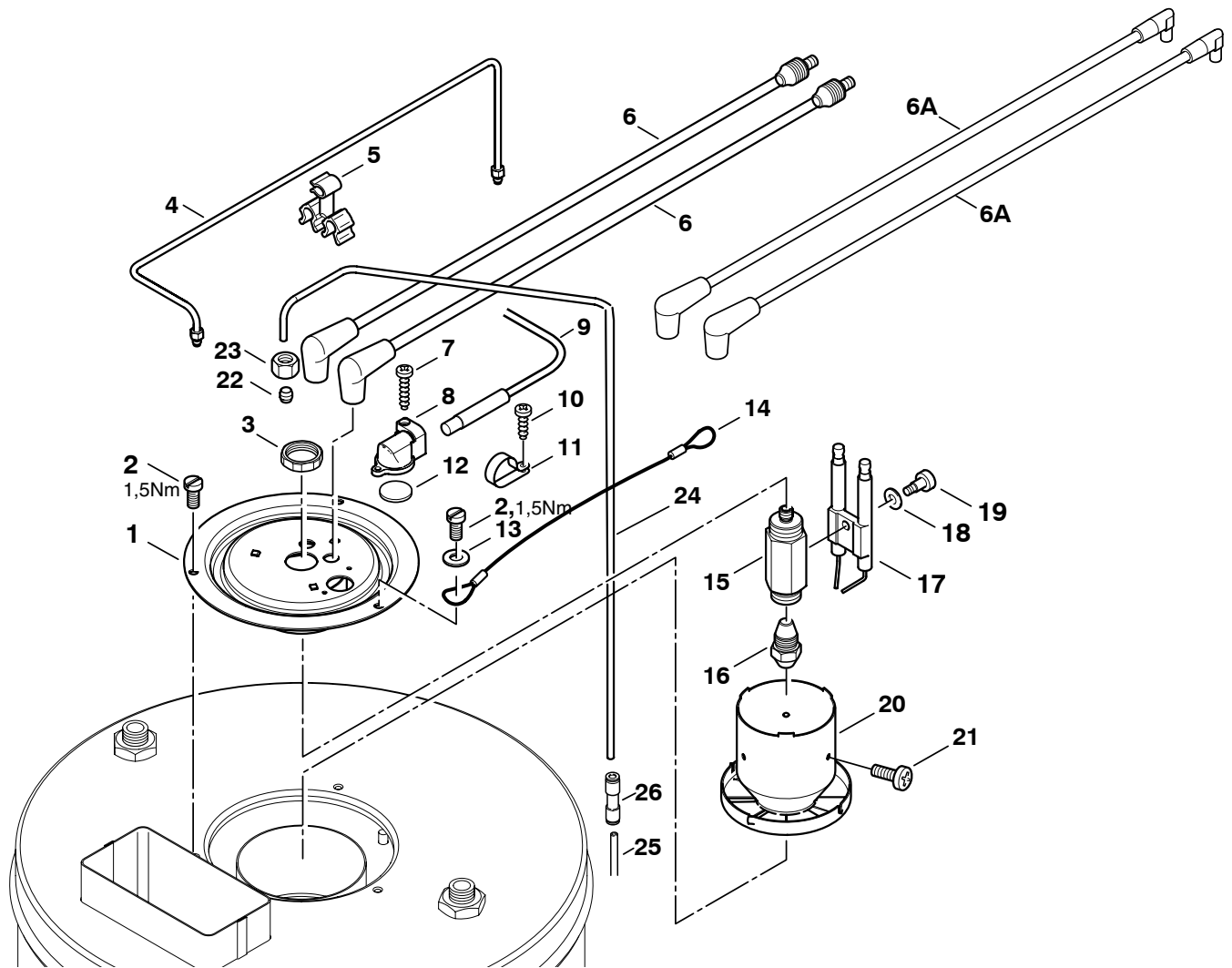
| Pos. | No. | Description | Bezeichnung | Comment Bemerkung Bemærkning | Rec. Part NEPTUNE 3 |
|------|-----------|----------------------------------|---------------------------------|------------------------------------|------------------------|
| 1 | 301001370 | Coil Stainless "Neptune 3" | Heizschlange-Set VA "Neptune 3" | Option | C 1 |
| 1 | 301001371 | Coil "Neptune 3" | Heizschlange-Set "Neptune 3" | | C 1 |
| 2 | 301001367 | Isolation Ø310x79 | Isolierung Ø310x79 | | 1 |
| 3 | 301001364 | Boiler Jacket Compl. "Neptune 3" | Brennermantel Kpl. "Neptune 3" | | 1 |
| 4 | 301001260 | Cabinet Hinge | Haubenscharnier | | 1 |
| 5 | 2763 | Washer 5,3x1 | Scheibe 5,3x1 | | 3 |
| 6 | 3873 | Screw M5x30 | Schraube M5x30 | | 3 |
| 7 | 12496 | Hexagon Nut M6 | Sechskantmutter M6 | | 7 |
| 8 | 3913 | Screw M6x12 | Zylinderschraube M6x12 | | 4 |
| 9 | 301001773 | Boiler Cover Inner | Brennerdeckel Innen | | 1 |
| 10 | 12263 | Hexagon Nut M6 | Sechskantmutter M6 | | 4 |
| 11 | 301000582 | Bushing Ø22x1,5x24 | Buchse Ø22x1,5x24 | | 2 |
| 12 | 7012 | Hexagon Nut M18x1,5 | Mutter 6kt M18x1,5 | | 4 |
| 13 | 301000534 | Boiler Cover Outer | Brennerdeckel Außen | | 1 |



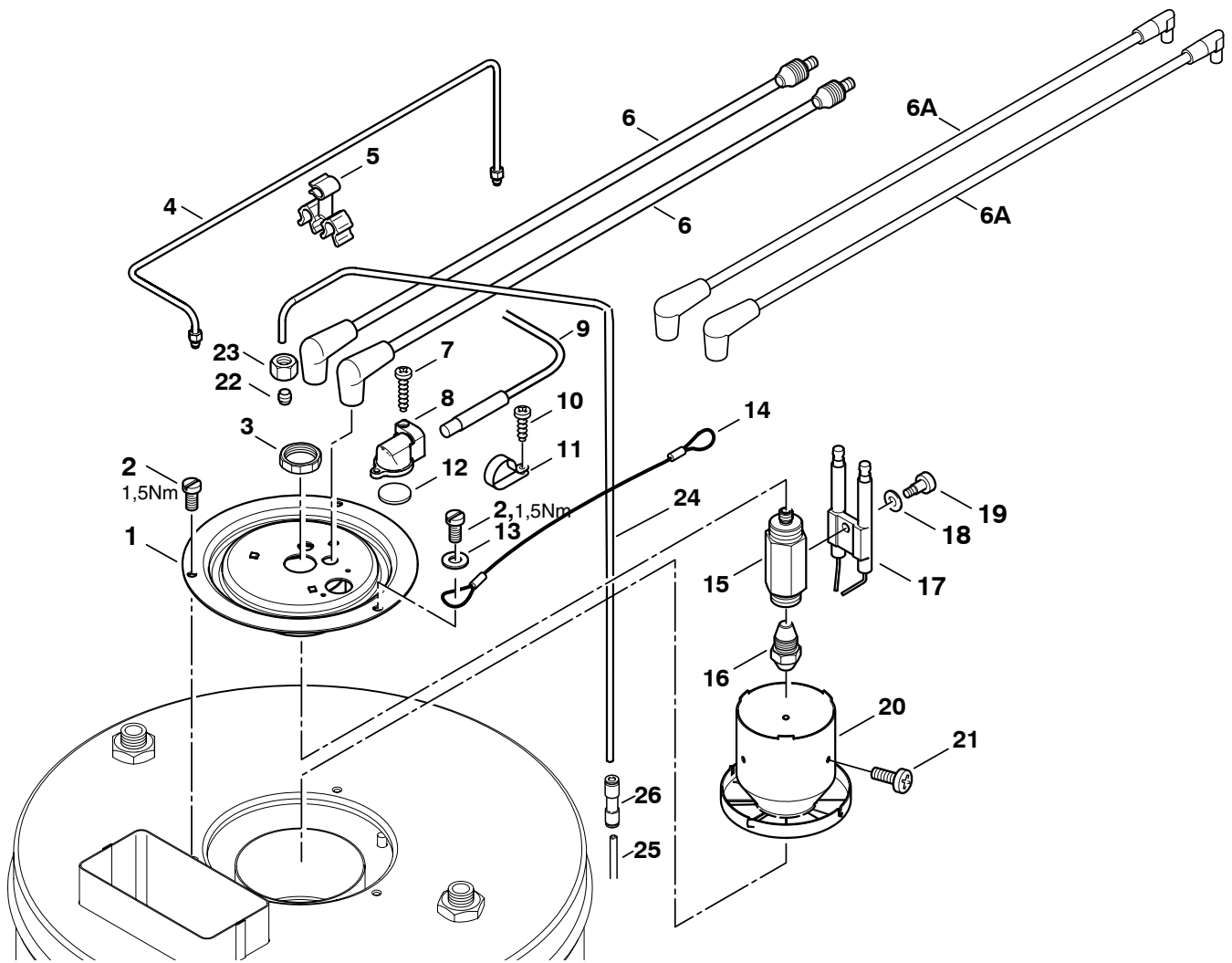
| Pos. | No. | Description | Bezeichnung | Comment Bemerkung Bemærkning | Rec. Part NEPTUNE 3 |
|------|-----------|---------------------------------------|--------------------------------|--|------------------------|
| 1 | 1081 | Union Nut L 12 | Überwurfmutter L 12 | | 2 |
| 2 | 301000730 | Temperature Sensor | Temperaturfühler | | C 1 |
| 3 | 4102 | Fitting XEVT 12L | Verschraubung XEVT 12L | | 1 |
| 4 | 301000855 | HP-Hose Ø8x650 | HD-Schlauch Ø8x650 | | 1 |
| 5 | 1080 | Ring L 12 | Schneidring L 12 | | 1 |
| 6 | 301001280 | Distributor | Verteiler | | 1 |
| 7 | 301000246 | Pressure Gauge 0-300 bar | Manometer 0-300 bar | 3-20, 3-23, 3-25, 3-26, 3-30, 3-33, 3-38, 3-41 | 1 |
| 8 | 1605 | Packing Ring 10x14 | Dichtring 10x14 | 3-17 CLASSIC, 3-22, 3-30 CLASSIC, 3-33 CLASSIC | 1 |
| 9 | 33047 | Plug G1/8 | Verschlusschraube G1/8 | 3-17 CLASSIC, 3-22, 3-30 CLASSIC, 3-33 CLASSIC | 1 |
| 10 | 301000879 | Ignition transformer 220-230V/50Hz | Zündtrafo 220-230V/50Hz | =>16.02.2007 | C 1 |
| 10 | 301002083 | Ignition transformer 110V 40VA | Zündtrafo 110V 40VA | 3-17 CLASSIC | C 1 |
| 10 | 301002459 | Ignition transformer 110/120V 50/60Hz | Zündtrafo 110/120V 50/60Hz | 3-20, 3-25 110V | C 1 |
| 10A | 301002656 | Ignition transformer 220-240 50-60 | Zündtrafo 220-240V 2x14kV 20mA | 17.02.2007=> | C 1 |
| 11A | 42236 | screwM5x45 | Zyl. Schraube M5x45 | 17.02.2007=> | 2 |
| 11 | 1809821 | Screw M5x50 | Schraube M5x50 | =>16.02.2007 | 2 |
| 12 | 909100152 | Nut M8 | Käfigmutter M8 | | 1 |
| 13 | 3938 | Fitting L12 G1/4 | Verschraubung L12 G1/4 | | 1 |
| 14 | 301000854 | HP-Hose Ø8x610 | HD-Schlauch Ø8x610 | | 1 |
| 15 | 301000858 | Ignition Cord Ø7x500 | Zündkabel Ø7x500 | =>16.02.2007 | C 2 |
| 15A | 301002505 | Ignition cord Ø7x500 with plug 2x90° | Zündkabel Ø7x500 | 3-17 CLASSIC, all 17.02.2007=> | C 2 |



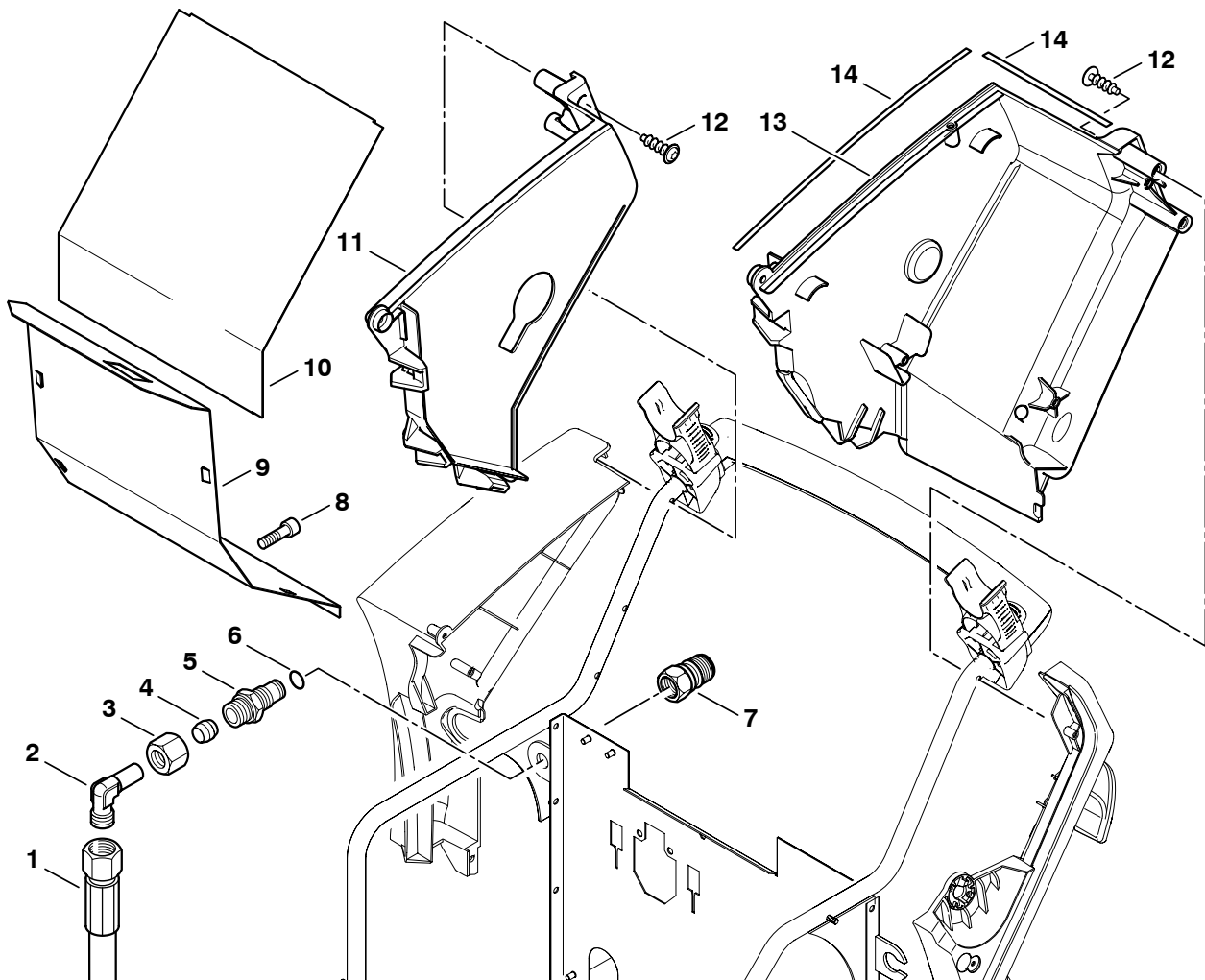
| Pos. | No. | Description | Bezeichnung | Comment Bemerkung Bemærkning | Rec. Part | NEPTUNE 3 |
|------|-----------|---------------------------|-----------------------|------------------------------------|-----------|-----------|
| 16 | 301000732 | Thermo Fuse 108°C | Thermosicherung 108°C | | C | 1 |
| 17 | 2760 | Hexagon Nut M5 | Sechskantmutter M5 | 17.02.2007=> | | 2 |
| 18 | 3376 | Serrated Lock Washer Ø5,3 | Fächerscheibe Ø5,3 | 17.02.2007=> | | 2 |



| Pos. | No. | Description | Bezeichnung | Comment Bemerkung Bemærkning | Rec. Part NEPTUNE 3 |
|------|-----------|--------------------------------------|---------------------------------|--|------------------------|
| 1 | 301000606 | Cover Ø150x38 | Deckel Ø150x38 | | 1 |
| 2 | 4820 | Screw M5x10 | Zylinderschraube M5x10 | | 3 |
| 3 | 909100139 | Hexagon Nut M20x1 | Mutter 6kt M20x1 | | 1 |
| 4 | 301001293 | Pipe Bended Ø4x100x339x67 | Rohr Gebogen Ø4x100x339x67 | =>31.03.2005 | 1 |
| 5 | 301001073 | Holder-pipe NEPTUNE | Halter | =>31.03.2005 | 1 |
| 6 | 301000858 | Ignition Cord Ø7x500 | Zündkabel Ø7x500 | =>28.02.2007 | C 2 |
| 6A | 301002505 | Ignition cord Ø7x500 with plug 2x90° | Zündkabel Ø7x500 | 01.03.2007 => | C 2 |
| 7 | 5606 | Screw 2,9x19 | Blechschrabe 2,9x19 | | 1 |
| 8 | 301000934 | Holder 37,45x23x17,7 | Halter 37,45x23x17,7 | | 1 |
| 9 | 301000729 | Flame Sensor | Fühler | 01.03.2007 => | C 1 |
| 10 | 4036 | Sheet Metal Screw 2,9x9,5 | Blechschrabe 2,9x9,5 | | 1 |
| 11 | 301001069 | Holder Ø4,8 | Halterungsschelle Ø4,8 | | 1 |
| 12 | 301000933 | Sheet Metal Ø20x3 | Blech Ø20x3 | =>28.02.2007 (see info MPW-073) | 1 |
| 13 | 2763 | Washer 5,3x1 | Scheibe 5,3x1 | | 1 |
| 14 | 301001680 | Rope Ø1x710 | Seil Ø1x710 | | 1 |
| 15 | 301001548 | Fuel Nozzle Holder SW22x65,5 | Öldüsenaufnahme SW22x65,5 | | 1 |
| 16 | 2802445 | Fuel Nozzle 1,25gal/h 80° H | Öldüse 1,25gal/h 80° H | 3-30, 3-30 CLASSIC, 3-33, 3-33 CLASSIC, 3-38, 3-41 | B 1 |
| 16 | 2802712 | Fuel Nozzle 1gal/h 60°H | Öldüse 1,0 gal/h 60° H 3,72kg/h | 3-17 CLASSIC, 3-20, 3-22, 3-23, 3-25, 3-26 | B 1 |
| 17 | 301000853 | Ignition Electrode | Zündelektrode | | A 1 |
| 18 | 909100144 | Spring Washer B5 | Federscheibe B5 | | 1 |
| 19 | 909100143 | Pan Head Screw M4x4,5 | Flachkopfschraube M4x4,5 | | 1 |

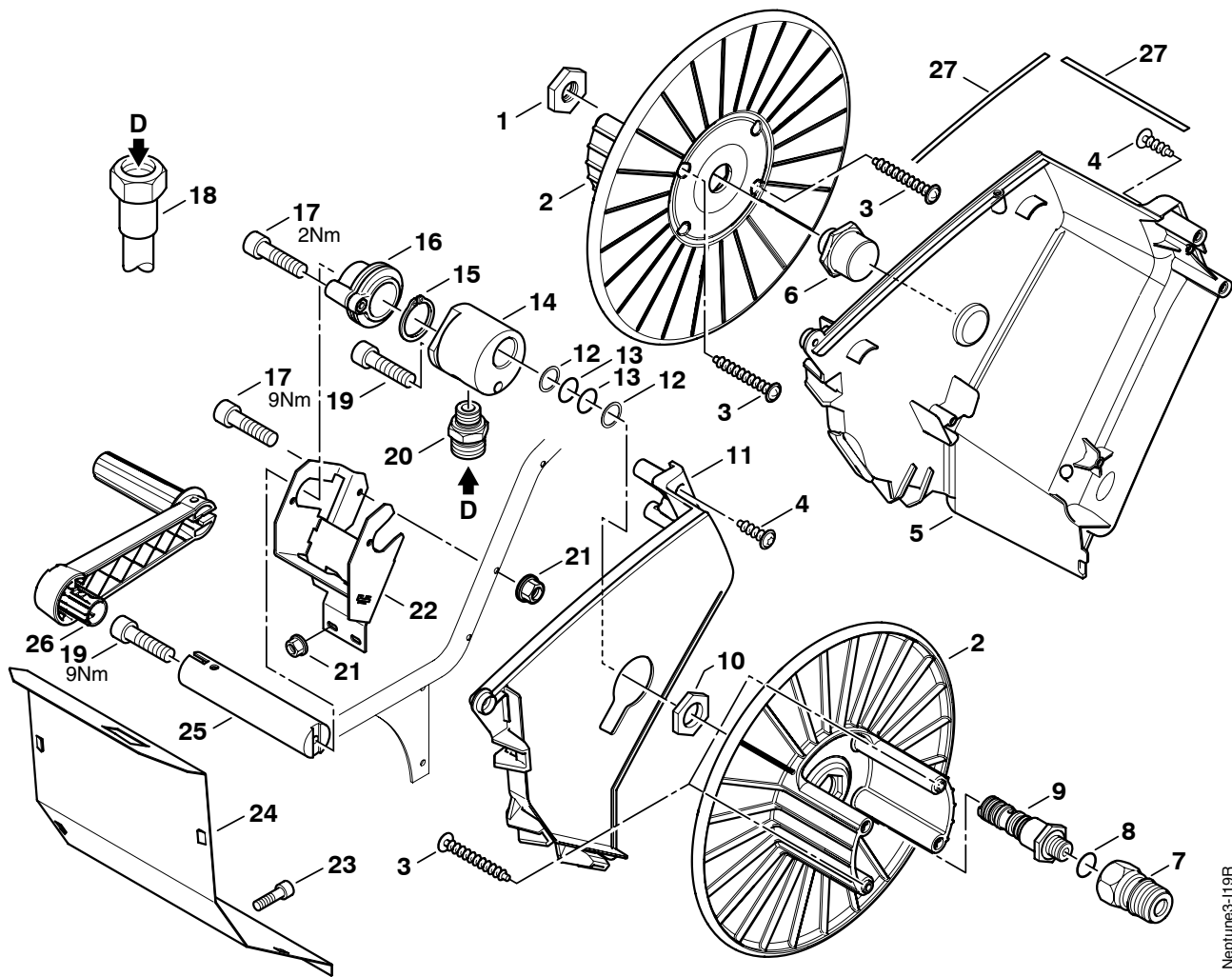


| Pos. | No. | Description | Bezeichnung | Comment Bemerkung Bemærkning | Rec. Part NEPTUNE 3 |
|------|-----------|--------------------------|----------------------|--|------------------------|
| 20 | 301001278 | Air Distributor Ø79x59,2 | Stauscheibe Ø79x59,2 | 3-30, 3-30 CLASSIC, 3-33, 3-33 CLASSIC, 3-38, 3-41 | 1 |
| 20 | 301001683 | Air Distributor Ø80x59,2 | Stauscheibe Ø80x59,2 | 3-17 CLASSIC, 3-20, 3-22, 3-23, 3-25, 3-26 | 1 |
| 21 | 51848 | Oval Head Screw M3x4 | Linsenschraube M3x4 | | 3 |
| 22 | 1603448 | Cutting ring L4 | Schneidring L 4 | 01.04.2005=> | 1 |
| 23 | 1603430 | Union Nut L 4 | Überwurfmutter L 4 | 01.04.2005=> | 1 |
| 24 | 301002072 | Pipe Bended Ø4x582 | Rohr Gebogen Ø4x582 | 01.04.2005=> | 1 |
| ⇨ | 25 | 909100141 | Pipe Ø4x1 | 01.04.2005=> | 1 |
| 26 | 301001912 | Union Piece Ø4/Ø4 | Steckverbinder Ø4/Ø4 | 01.04.2005=> | 1 |



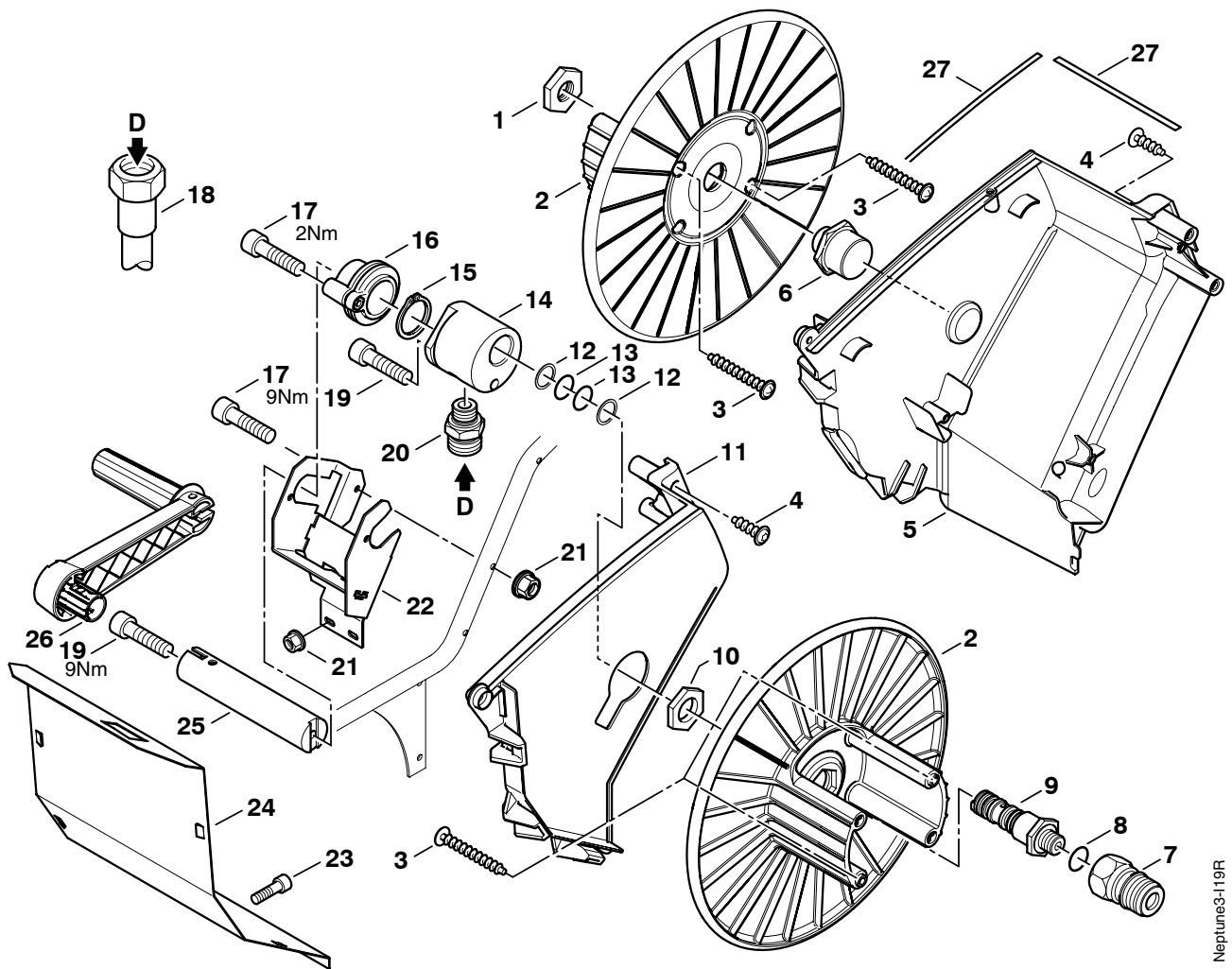
Neptune3-118R

| Pos. | No. | Description | Bezeichnung | Comment Bemerkung Bemærkning | Rec. Part NEPTUNE 3 |
|------|-----------|---------------------------|---------------------------------|------------------------------------|------------------------|
| 1 | 301000855 | HP-Hose Ø8x650 | HD-Schlauch Ø8x650 | Standard models | 1 |
| 2 | 1504 | Fitting XEVW 12L ZN | Verschraubung XEVW 12L | Standard models | 1 |
| 3 | 1081 | Union Nut L 12 | Überwurfmutter L 12 | Standard models | 1 |
| 4 | 1080 | Ring L 12 | Schneidring L 12 | Standard models | 1 |
| 5 | 301000627 | Fitting M18x1,5xG3/8" | Schottstutzen M18x1,5xG3/8" | Standard models | 1 |
| 6 | 42768 | O-ring Ø11,2x1,8 | O-Ring Ø11,2x1,8 | Standard models | 1 |
| 7 | 1600493 | Nipple 3/8" | Nippel 3/8" für Schnellkupplung | Standard models | 1 |
| 8 | 3913 | Screw M6x12 | Zylinderschraube M6x12 | Standard models | 2 |
| 9 | 301001254 | Sheet Metal 1x287x199x185 | Blech 1x287x199x185 | Standard models | 1 |
| 10 | 301001255 | Sheet Metal 1x221x207x134 | Blech 1x221x207x134 | Standard models | 1 |
| 11 | 301001190 | Hose Reel Cabinet Right | Abdeckung Rechts | Standard models | 1 |
| 12 | 1814614 | Screw 5x18 | Schraube 5x18 | Standard models | 2 |
| 13 | 301001189 | Hose Reel Cabinet Left | Abdeckung Links | Standard models | 1 |
| 14 | 301001811 | Gasket 500x7x2 | Dichtung 500x7x2 | Standard models | 2 |



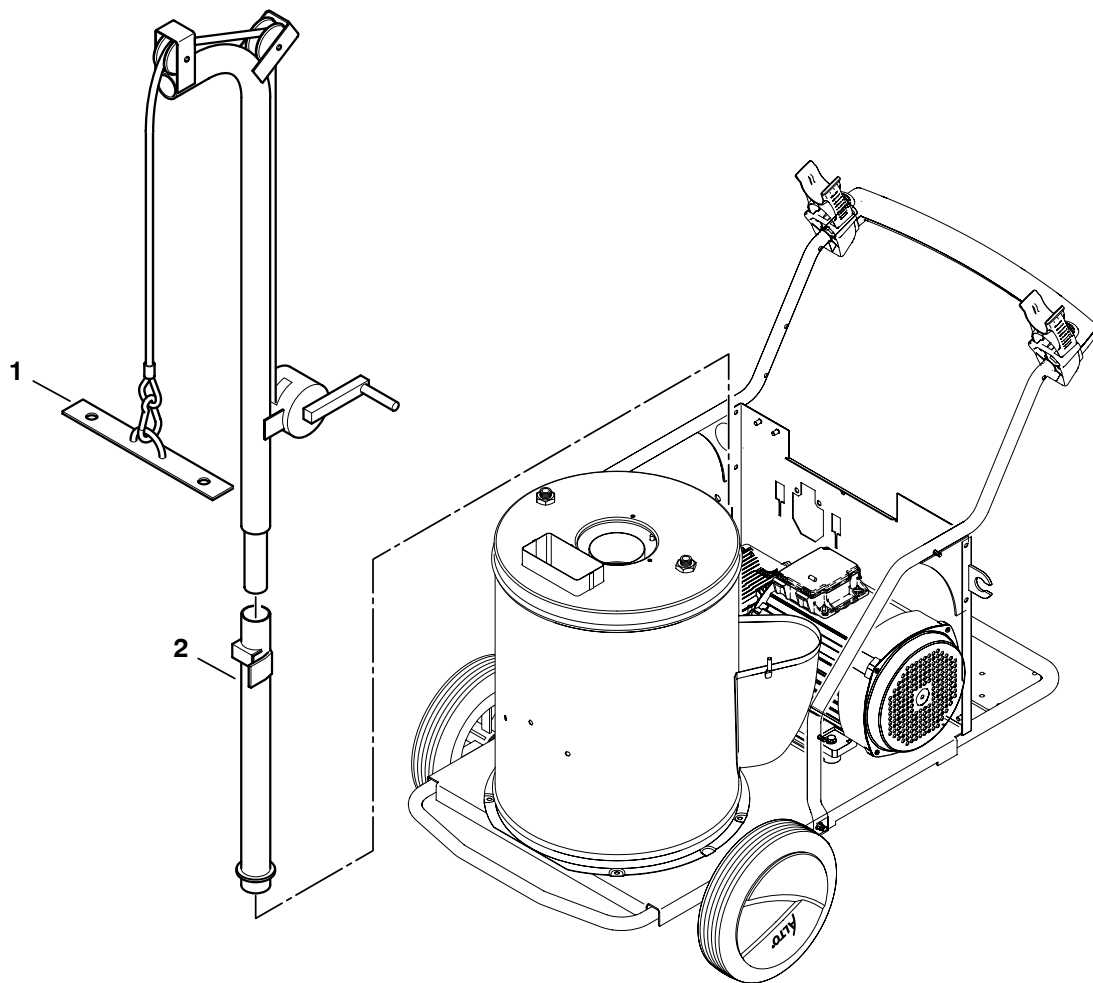
Neptune3-119R

| Pos. | No. | Description | Bezeichnung | Comment Bemerkung Bemærkning | Rec. Part NEPTUNE 3 |
|------|-----------|-----------------------------|---------------------------------|------------------------------------|------------------------|
| 1 | 909100145 | Hexagon Nut 6kt/G 3/8"x6 | Mutter 6kt/G 3/8"x6 | X-models | 1 |
| 2 | 301000775 | Hose Drum Section | Schlauchtrommel-hälfte | X-models | 2 |
| 3 | 909100153 | Screw 6x40 | Schraube 6x40 | X-models | 4 |
| 4 | 1814614 | Screw 5x18 | Schraube 5x18 | X-models | 4 |
| 5 | 301001189 | Hose Reel Cabinet Left | Abdeckung Links | X-models | 1 |
| 6 | 301001266 | Bearing Right G3/8"/SW30 | Lager Rechts G3/8"/SW30 | X-models | 1 |
| 7 | 1600493 | Nipple 3/8" | Nippel 3/8" für Schnellkupplung | X-models | 1 |
| 8 | 1801075 | Packing Ring Ø23,8xØ17,2x2 | Dichtring Ø23,8xØ17,2x2 | X-models | 1 |
| 9 | 301000976 | Hollow Screw G3/8" | Hohlschraube G3/8" | X-models | 1 |
| 10 | 62696 | Hexagon Nut M24x1,5x6 | Sechskantmutter M24x1,5x6 | X-models | 1 |
| 11 | 301001190 | Hose Reel Cabinet Right | Abdeckung Rechts | X-models | 1 |
| 12 | 63792 | Supporting Ring Ø16,26x2,18 | Stützring Ø16,26x2,18 | X-models | 2 |
| 13 | 19620 | O-ring Ø15,54x2,62 | O-Ring Ø15,54x2,62 | X-models | 2 |
| 14 | 301000624 | HP-Swivel Housing Ø45x41,7 | Druckanschluss Ø45x41,7 | X-models | 1 |
| 15 | 32524 | Retaining Ring 20x1,2 | Sicherungsring 20x1,2 | X-models | 1 |
| 16 | 301000849 | Bearing Left Ø50x33 | Lager Links Vorm. Ø50x33 | X-models | 1 |
| 17 | 5945 | Screw M6x30 | Zylinderschraube M6x30 | X-models | 2 |
| 18 | 301000855 | HP-Hose Ø8x650 | HD-Schlauch Ø8x650 | X-models | 1 |
| 19 | 9570 | Screw M6x40 | Zylinderschraube M6x40 | X-models | 2 |
| 20 | 54590 | Fitting XGE12L/1/4NPT | Verschraubung XGE12L/1/4NPT | X-models | 1 |
| 21 | 12496 | Hexagon Nut M6 | Sechskantmutter M6 | X-models | 3 |
| 22 | 301001257 | Holder | Halter | X-models | 1 |
| 23 | 3913 | Screw M6x12 | Zylinderschraube M6x12 | X-models | 1 |
| 24 | 301001254 | Sheet Metal 1x287x199x185 | Blech 1x287x199x185 | X-models | 1 |



Neptune3-119R

| Pos. | No. | Description | Bezeichnung | Comment Bemerkung Bemærkning | Rec. Part NEPTUNE 3 |
|------|-----------|------------------|-------------------|------------------------------------|------------------------|
| 25 | 301001263 | Adapter Ø28x140 | Adapter Ø28x140 | X-models | 1 |
| 26 | 301000733 | Crank 190x175x45 | Kurbel 190x175x45 | X-models | 1 |
| 27 | 301001811 | Gasket 500x7x2 | Dichtung 500x7x2 | X-models | 2 |



Neptune3-I20R

| Pos. | No. | Description | Bezeichnung | Comment Bemerkung Remarque Bemærkning | Rec. Part NEPTUNE 3 |
|------|-----------|---------------|--------------|---|------------------------|
| 1 | 301001078 | Service Crane | Wartungskran | 301001267 or 301001804 also neces- sary, 301001267 oder 301001804 dazu not- wendig | 1 |
| 2 | 301001804 | Support | Aufnahme | | 1 |