

SCRUBTEC 233

Model:
SCRUBTEC 233



Stückliste Deutsch

06-12-2010

Inhalt

SCRUBTEC 233

Tanks system	3
Frame upper system	5
Frame lower system	7
KRAFTÜBERTRAGUNG	9
Brushes, squeegees deck	11
Control panel system	13
Accessory: Carpet kit	15
EMPFOHLENE ERSATZTEILE	17
Accessory list	19
Support roller kit	21

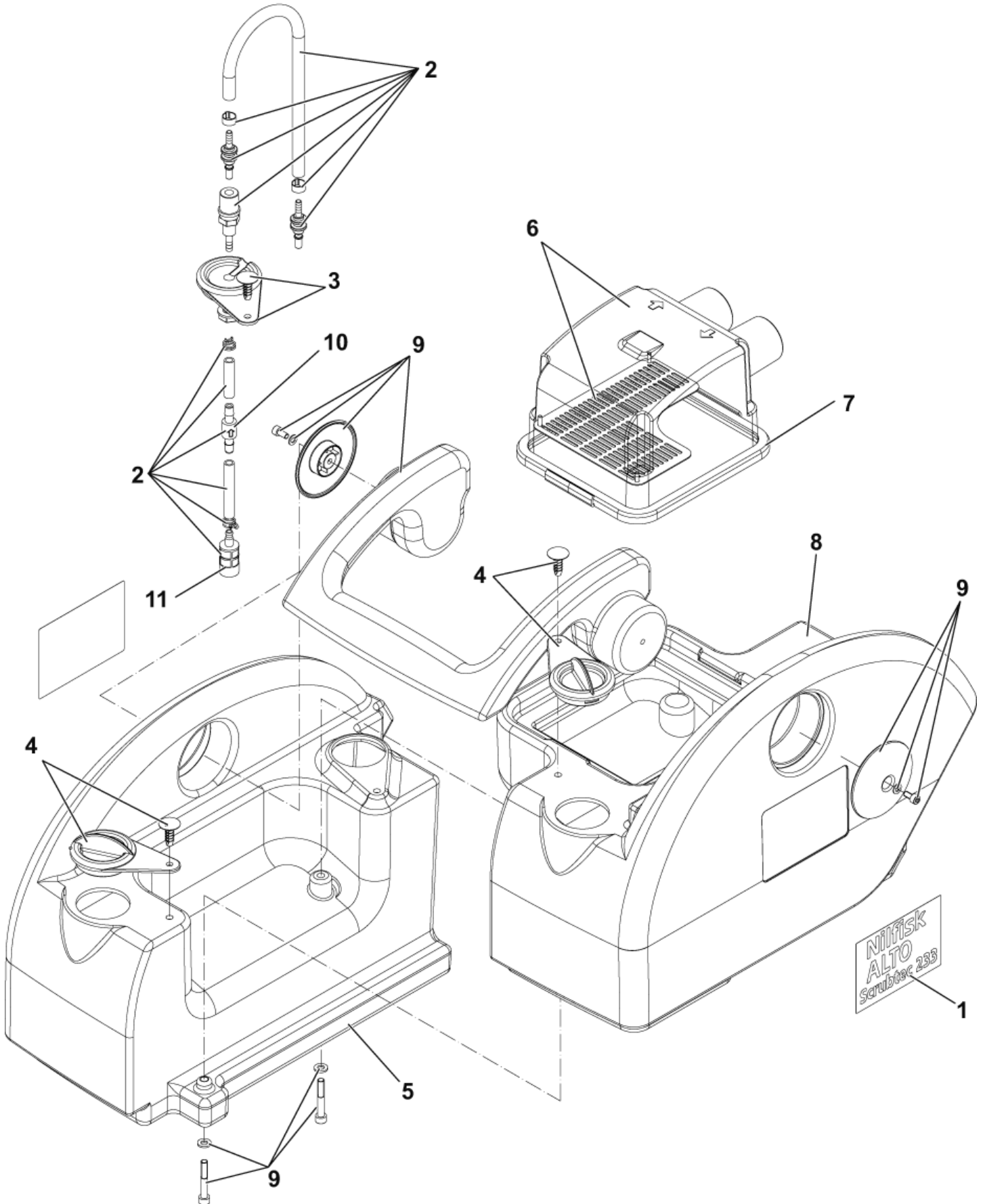
Tanks system

SCRUBTEC 233

06-12-2010

ET-Liste-Nr. 23301

3



Tanks system

SCRUBTEC 233

06-12-2010

ET-Liste-Nr. 23301

4

Pos	Artikelnr.	Me	Beschreibung		EAN
1	9097901000	1	DECALS NILFISK-ALTO SCRUB	Nilfisk-ALTO Brand	5711140135
1	9097902000	1	DECALS SCRUBTEC 233 ALTO	ALTO Brand	7319519675
2	9097896000	1	SAUGSCHLAUCH KIT FRISCHWASSERTANK		5711140135
3	9097897000	1	TANKDECKEL		5711140135
4	9097515000	2	TANKDECKELKIT		5711140134
5	9097669000	1	TANK SOLUTION BLUE		5711140135
6	9097898000	1	COVER TANK KIT		5711140135
7	9097236000	1	SCHMUTZWASSERTANK DECKEL ABDICHTUNG		5711140133
8	9097668000	1	TANK RECOVERY BLUE		5711140135
9	9097899000	1	HANDLE KIT		5711140135
10	9097277000	1	VENTIL		5711140133
11	L08603126	1	ANSAUGFILTER		5711140013

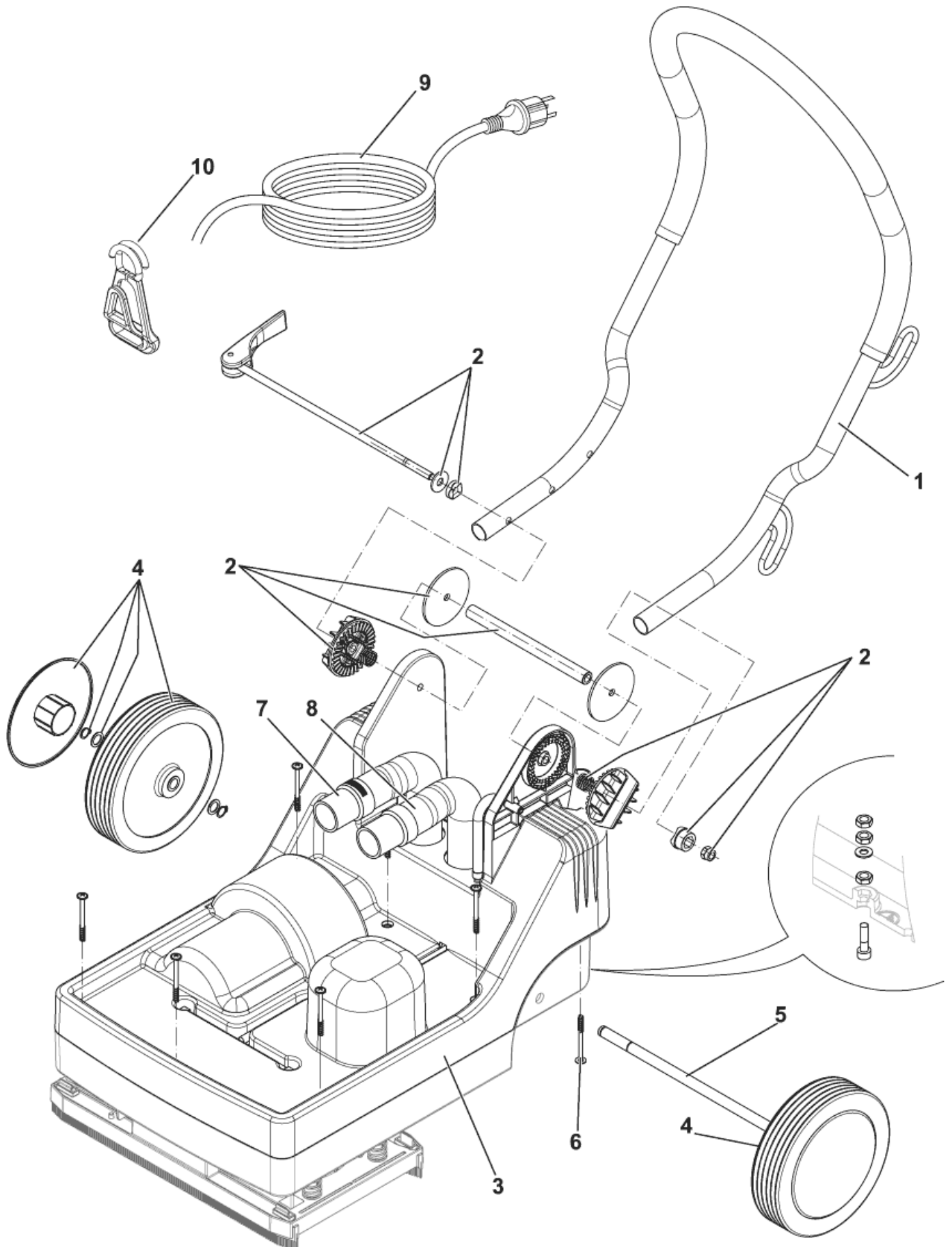
Frame upper system

SCRUBTEC 233

06-12-2010

ET-Liste-Nr. 23303

5



Frame upper system

SCRUBTEC 233

06-12-2010

ET-Liste-Nr. 23303

6

Pos	Artikelnr.	Me	Beschreibung	EAN
1	9097673000	1	HANDLE BAR	5711140135
2	9097437000	1	HANDGRIFF-HEBEL-SET	5711140133
3	9097216000	1	FRAME UPPER	5711140133
4	9097440000	1	RAD SET	5711140133
5	9097231000	1	SHAFT WHEELS	5711140133
6	909 5893 000	8	SCHRAUBE 6X60 THD	5711140124
7	9098029000	1	HOSE VACUUM BLACK L.480MM	5711140138
8	9097674000	1	SAUGSCHLAUCH SAUGDÜSE (L=	5711140135
9	9097300000	1	STROMKABEL, ORANGE	5711140133
9	9097505000	1	ANSCHLUSSKABEL M. STECKER	5711140134
10	9098047000	1	KABELHALTER	5711140137
9a	82179200	1	KABEL M. STECKER UK	

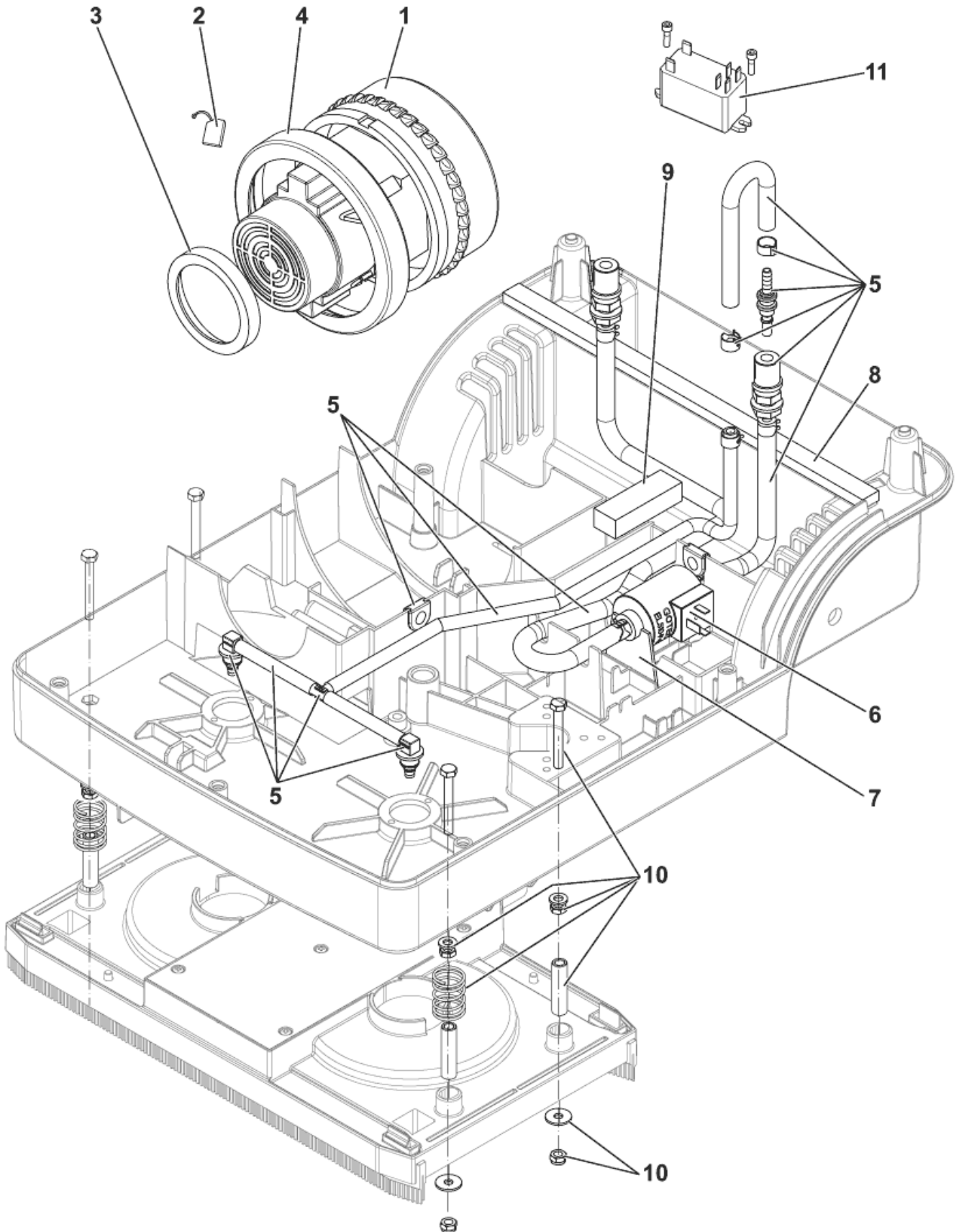
Frame lower system

SCRUBTEC 233

06-12-2010

ET-Liste-Nr. 23305

7



Frame lower system

SCRUBTEC 233

06-12-2010

ET-Liste-Nr.

23305

8

Pos	Artikelnr.	Me	Beschreibung		EAN
1	9098192000	1	SAUGMOTOR 230V/550W	FROM S.NO.092300293 - TSB IT 2009-028	7319519675
1	9098194000	1	MOTOR VACUUM 100V 550W	FROM S.NO.092300293 - TSB IT 2009-028	7319519675
2	909 5719 000	2	KOHLEBÜRSTEN-SET		5711140123
3	9097251000	1	MOTORDICHTUNG KAPPE		5711140133
4	9097250000	1	MOTORDICHTUNG		5711140133
5	9097493000	1	WASSERKANAL-SET		5711140134
6	9098207000	1	PUMP WATER 230 V 45W	FROM S.NO.094101184 - TSB IT 2009-028	7319519677
6	9098208000	1	PUMP WATER 110 V 45W	FROM S.NO.094101184 - TSB IT 2009-028	7319519680
6	9098370000	1	WASSERPUMPENKIT	BEFORE S.NO.094101184 - TSB IT 2009-028	7319519677
6	9098371000	1	PUMP WATER US JP KIT	BEFORE S.NO.094101184 - TSB IT 2009-028	7319519680
7	9097275000	1	SUPPORT PUMP NYLON		5711140133
8	146 0410 000	1	GASKET 15X10 L 340MM		5711140032
9	9097583000	1	GASKET		5711140134
10	9097431000	1	BEFESTIGUNGSKIT		5711140133
11	9097864000	1	MAGNETSCHALTER 110V JAPAN		5711140135

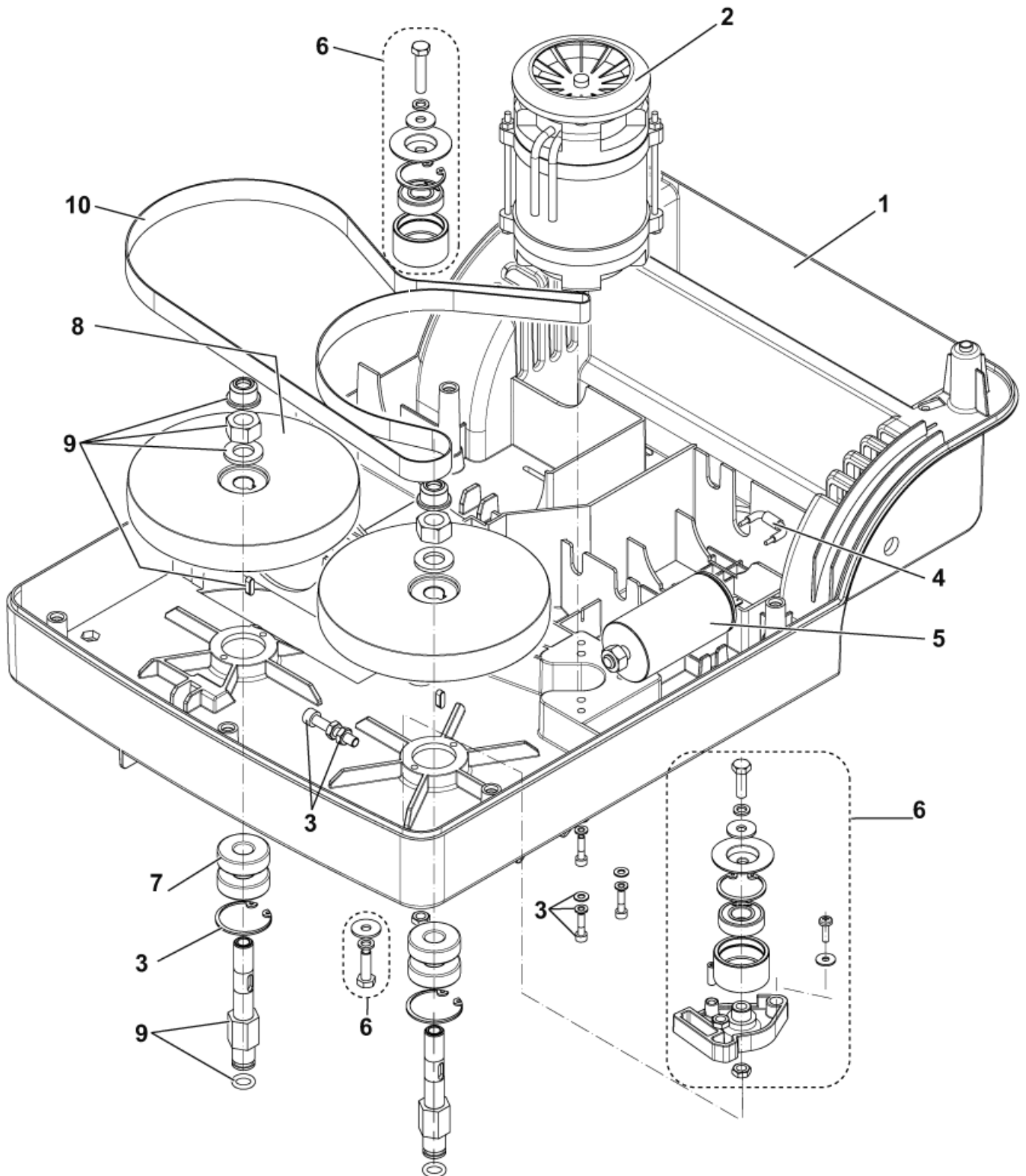
KRAFTÜBERTRAGUNG

SCRUBTEC 233

06-12-2010

ET-Liste-Nr. 23307

9



KRAFTÜBERTRAGUNG

SCRUBTEC 233

06-12-2010

ET-Liste-Nr.

23307

10

Pos	Artikelnr.	Me	Beschreibung	EAN
1	9097215000	1	RAHMEN, UNTEN	5711140133
2	9097244000	1	MOTOR 100W-230V	5711140133
2	9097503000	1	MOTOR 100W-115V	5711140134
3	9097467000	1	HARDWARE TRANSM.SYST. KIT	5711140134
4	33009099	1	DIODE 1N4007	5711140073
5	9097280000	1	KONDENSATOR 5ÆF	5711140133
5	9097506000	1	KONDENSATOR 20ÆF	5711140134
6	9097436000	1	RIEMENSPANNER	5711140133
7	909 5763 000	4	BALL BEARING	5711140124
8	9097240000	2	PULLEY BRUSH	5711140133
9	9097435000	1	BÜRSTENDÜSEN-SET	5711140133
10	9097245000	1	FLACHRIEMEN	5711140133

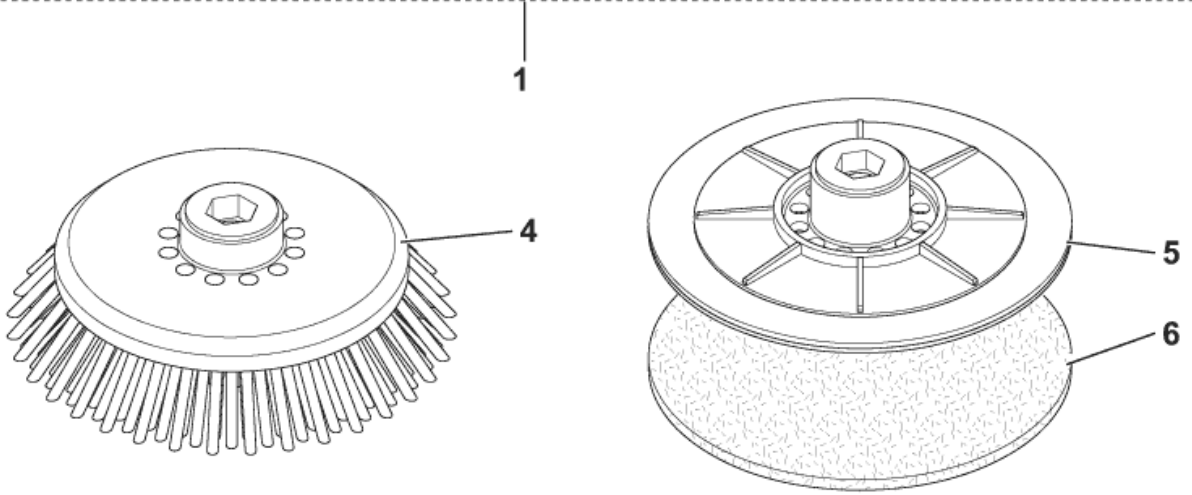
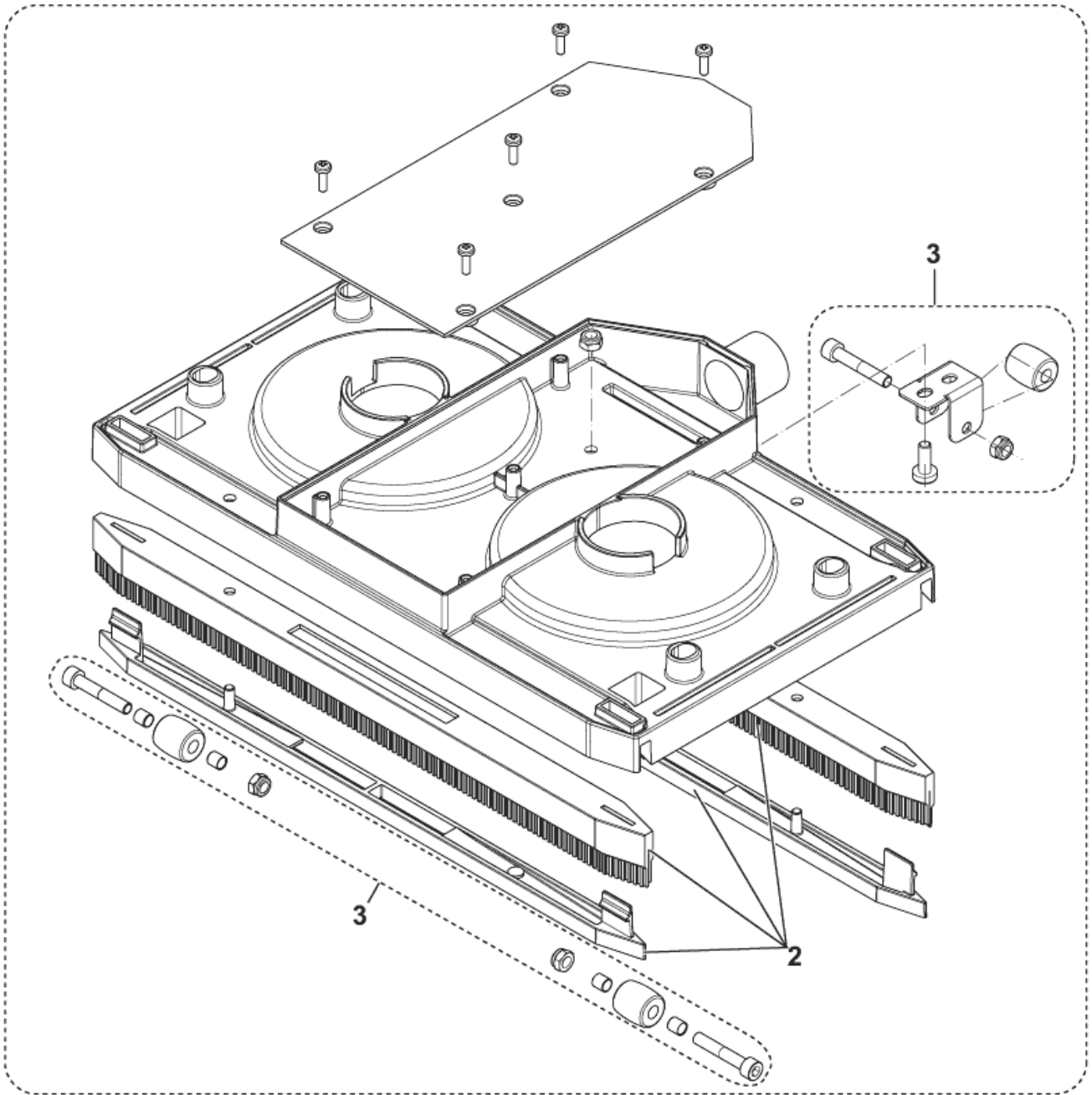
Brushes, squeegees deck

SCRUBTEC 233

06-12-2010

ET-Liste-Nr. 23309

11



Brushes, squeegees deck

SCRUBTEC 233

06-12-2010

ET-Liste-Nr.

23309

12

Pos	Artikelnr.	Me	Beschreibung	EAN
1	9097432000	1	BÜRSTENDECKKIT	5711140133
2	9097542000	1	SAUGLIPPEN-KIT PU	5711140000
3	9097434000	1	RIEMENRAD	5711140133
4	9097242000	2	BÜRSTE PROLITE (PPL)	5711140000
4	9097543000	2	BÜRSTE PROLEN (PPN)	ACCESSORY 5711140000
5	9097243000	2	PADHALTER CA331	ACCESSORY 5711140000
6	72500221	1	PADS 165MM, WEIß, 5ER PCK	ACCESSORY
6	72500222	1	PADS, ROT, 5ER PACK	ACCESSORY
6	72500223	1	PADS, BRAUN, 5ER PACK	ACCESSORY

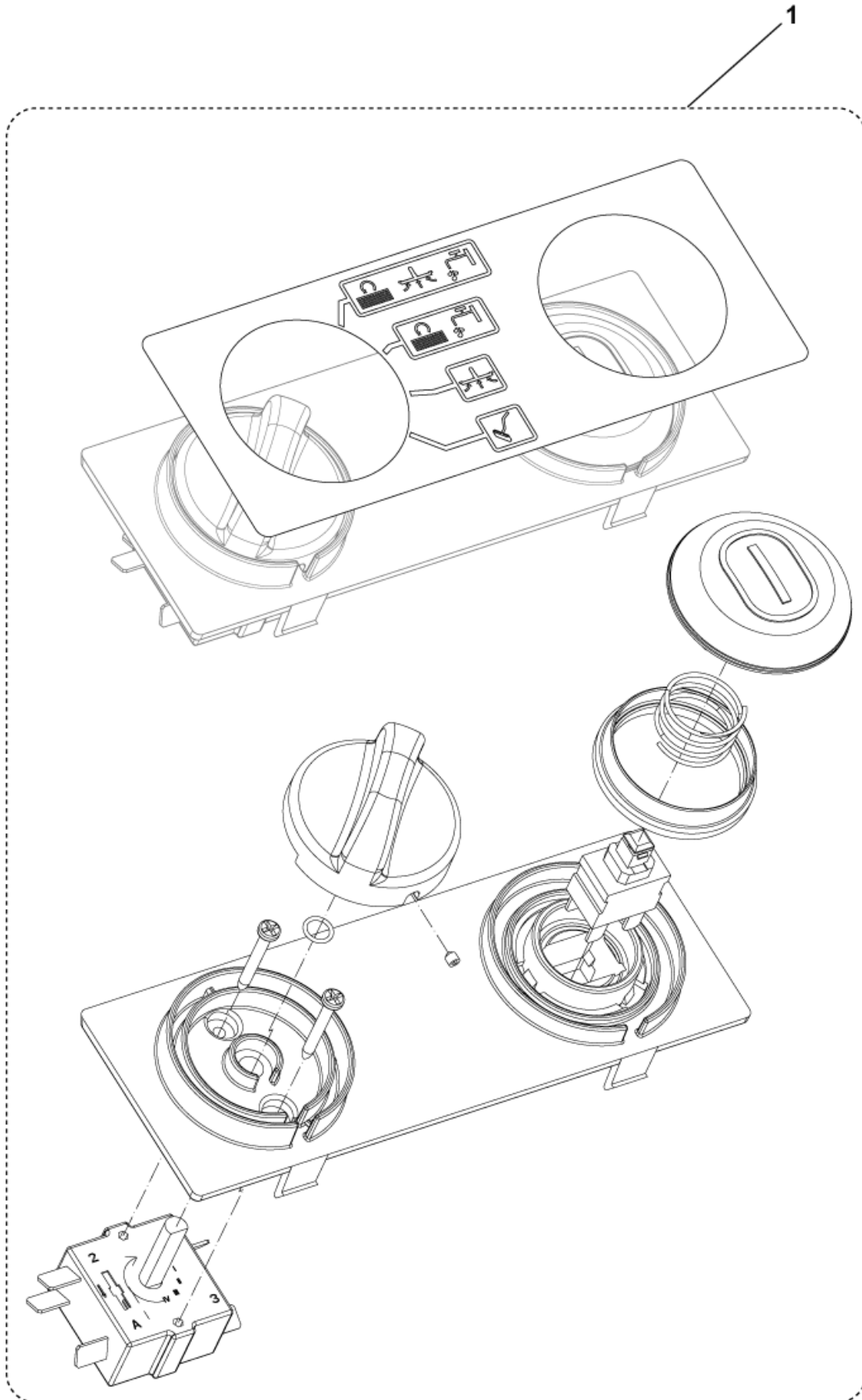
Control panel system

SCRUBTEC 233

06-12-2010

ET-Liste-Nr. 23311

13



Control panel system

SCRUBTEC 233

06-12-2010

ET-Liste-Nr.

23311

14

Pos	Artikelnr.	Me	Beschreibung		EAN
0	9097301000	1	HARNESS MACHINE EU	BEFORE S.NO.094101184 - TSB IT 2009-028	5711140133
0	9097507000	1	HARNESS MACHINE UL	BEFORE S.NO.094101184 - TSB IT 2009-028	5711140134
0	9098209000	1	HARNESS MACHINE EU	FROM S.NO.094101184 - TSB IT 2009-028	7319519677
0	9098210000	1	HARNESS MACHINE UL	FROM S.NO.094101184 - TSB IT 2009-028	7319519680
1	9097904000	1	BEDIENFELD SET MIT MEMBRA		5711140135

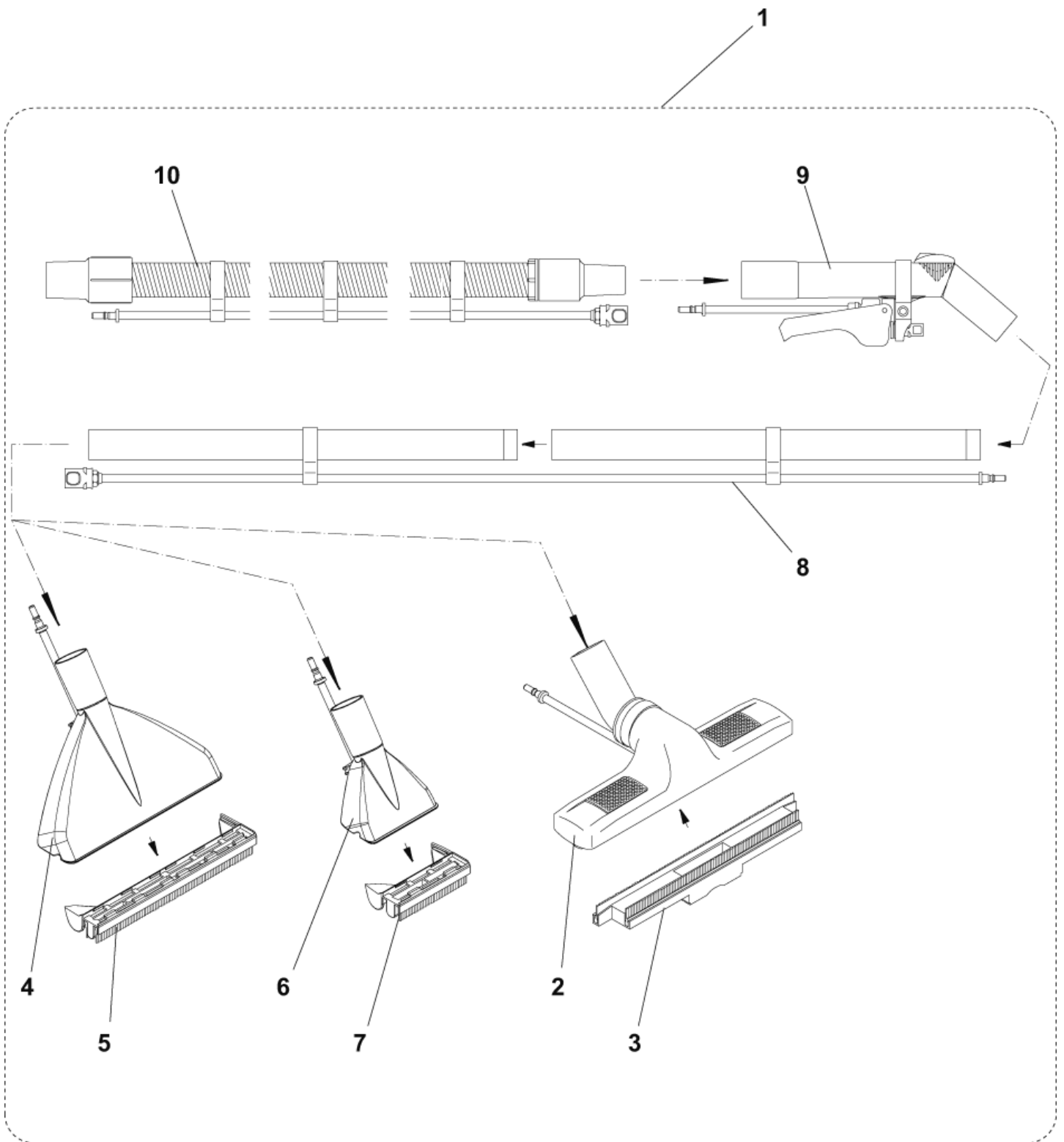
Accessory: Carpet kit

SCRUBTEC 233

06-12-2010

ET-Liste-Nr. 23313

15



Accessory: Carpet kit

SCRUBTEC 233

06-12-2010

ET-Liste-Nr.

23313

16

Pos	Artikelnr.	Me	Beschreibung	EAN
0	9098304000	1	NOZZLE SPRAY FROM S.NO.094101184 - TSB IT 2009-028	7319519676
1	9097575000	1	TEPPICHREINIGUNGS-KIT	5715492039
2	9097566000	1	GEHÄUSE F. HARTBODENDÜSE	5711140134
3	9097567000	1	GUMMBEFESTIGUNGSRAHMEN	5711140134
4	9097568000	1	NOZZLE 230 FROM S.NO.094101184 - TSB IT 2009-028	5711140134
5	9097569000	1	FRAME RUBBERS 230MM	5711140134
6	9097570000	1	NOZZLE 100	5711140134
7	9097571000	1	FRAME RUBBERS 100MM	5711140134
8	9097572000	2	EXTENSION HOSE	5711140134
9	9097573000	1	HANDGRIFF	5711140134
10	9097574000	1	HOSE MT.3	5711140134

EMPFOHLENE ERSATZTEILE

SCRUBTEC 233

06-12-2010

ET-Liste-Nr.

23315

17

Keine Zeichnung zur ET-Liste

EMPFOHLENE ERSATZTEILE

SCRUBTEC 233

06-12-2010

ET-Liste-Nr.

23315

18

Pos	Artikelnr.	Me	Beschreibung		EAN
1	9097242000	2	BÜRSTE PROLITE (PPL)	WEAR PART	5711140000
2	9097542000	1	SAUGLIPPEN-KIT PU	WEAR PART	5711140000
3	9097251000	1	MOTORDICHTUNG KAPPE	WEAR PART	5711140133
4	9097899000	1	HANDLE KIT	WEAR PART	5711140135
5	909 5719 000	2	KOHLBÜRSTEN-SET	ORDINARY MAINTENANCE	5711140123
6	9097245000	1	FLACHRIEMEN	ORDINARY MAINTENANCE	5711140133
7	L08603126	1	ANSAUGFILTER	ORDINARY MAINTENANCE	5711140013
8	9098029000	1	HOSE VACUUM BLACK L.480MM	ORDINARY MAINTENANCE	5711140138
9	9097674000	1	SAUGSCHLAUCH SAUGDÜSE (L=	ORDINARY MAINTENANCE	5711140135
10	9097434000	1	RIEMENRAD	ORDINARY MAINTENANCE	5711140133
11	9097904000	1	BEDIENFELD SET MIT MEMBRA	EXTRAORDINARY MAINTENANCE	5711140135
12	9097244000	1	MOTOR 100W-230V	EXTRAORDINARY MAINTENANCE	5711140133
13	9097503000	1	MOTOR 100W-115V	EXTRAORDINARY MAINTENANCE	5711140134
14	9097280000	1	KONDENSATOR 5ÆF	EXTRAORDINARY MAINTENANCE	5711140133
15	9097506000	1	KONDENSATOR 20ÆF	EXTRAORDINARY MAINTENANCE	5711140134
18	9097277000	1	VENTIL	EXTRAORDINARY MAINTENANCE	5711140133
19	9097250000	1	MOTORDICHTUNG	EXTRAORDINARY MAINTENANCE	5711140133
20	9097440000	1	RAD SET	EXTRAORDINARY MAINTENANCE	5711140133

Accessory list

SCRUBTEC 233

06-12-2010

ET-Liste-Nr. 23317

19

Keine Zeichnung zur ET-Liste

Accessory list

SCRUBTEC 233

06-12-2010

ET-Liste-Nr.

23317

20

Pos	Artikelnr.	Me	Beschreibung	EAN
1	9097575000	1	TEPPICHREINIGUNGS-KIT	5715492039
2	9097543000	2	BÜRSTE PROLEN (PPN)	5711140000
3	9097243000	2	PADHALTER CA331	5711140000
4	72500221	1	PADS 165MM, WEIß, 5ER PCK	
5	72500222	1	PADS, ROT, 5ER PACK	
6	72500223	1	PADS, BRAUN, 5ER PACK	

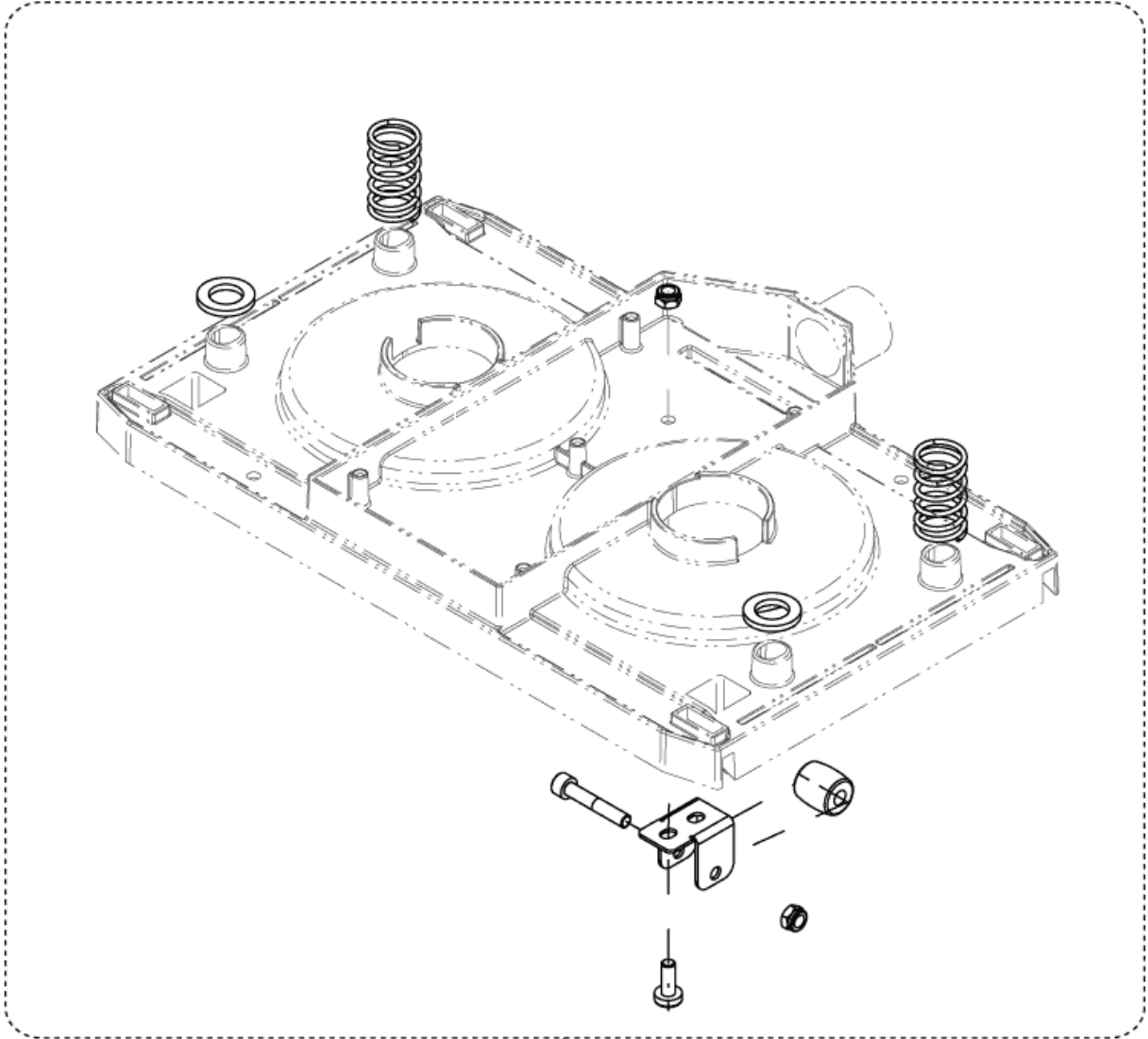
Support roller kit

SCRUBTEC 233

06-12-2010

ET-Liste-Nr. 23319

21



1

Support roller kit

SCRUBTEC 233

06-12-2010

ET-Liste-Nr.

23319

22

Pos	Artikelnr.	Me	Beschreibung		EAN
1	9098211000	1	SUPPORT ROLLER KIT	FROM S.NO.091700016-TSB IT 2009-028	7319519675