

# SCRUBTEC R571, -C, 586, BOOST R - i drive

---

Model:

SCRUBTEC RIDER 571  
SCRUBTEC RIDER 571C  
SCRUBTEC RIDER 586



Stückliste Deutsch

05-01-2011

**Nilfisk**  
**ALTO**  
*Why Compromise*

[www.nilfisk-alto.com](http://www.nilfisk-alto.com)

# Inhalt

SCRUBTEC R571, -C, 586, BOOST R - i drive

<b>56380210/56380211 - Flex Plate 28/32 Kit</b>	<b>3</b>
<b>Final assembly</b>	<b>5</b>
<b>Main frame</b>	<b>7</b>
<b>Optional side squeegee lift</b>	<b>10</b>
<b>Front wheel</b>	<b>12</b>
<b>ABGAUGERHEBER</b>	<b>14</b>
<b>SCHMUTZWASSERTANK</b>	<b>16</b>
<b>Solution tank assembly</b>	<b>19</b>
<b>Front cover assembly R 571, 586, BOOST R</b>	<b>21</b>
<b>Front cover assembly R 571 C</b>	<b>23</b>
<b>Rotary brush head R571</b>	<b>25</b>
<b>Rotary head R586</b>	<b>27</b>
<b>Cylindrical head</b>	<b>29</b>
<b>Squeegee</b>	<b>32</b>
<b>Front squeegee</b>	<b>34</b>
<b>Front squeegee arm</b>	<b>36</b>
<b>Right arm control</b>	<b>38</b>
<b>Left arm control</b>	<b>40</b>
<b>Electrical panel</b>	<b>42</b>
<b>Vac motor</b>	<b>44</b>
<b>Zubehör</b>	<b>46</b>
<b>Main frame assembly</b>	<b>49</b>
<b>Solution tank assembly</b>	<b>51</b>
<b>Boost R- Antriebsset</b>	<b>53</b>

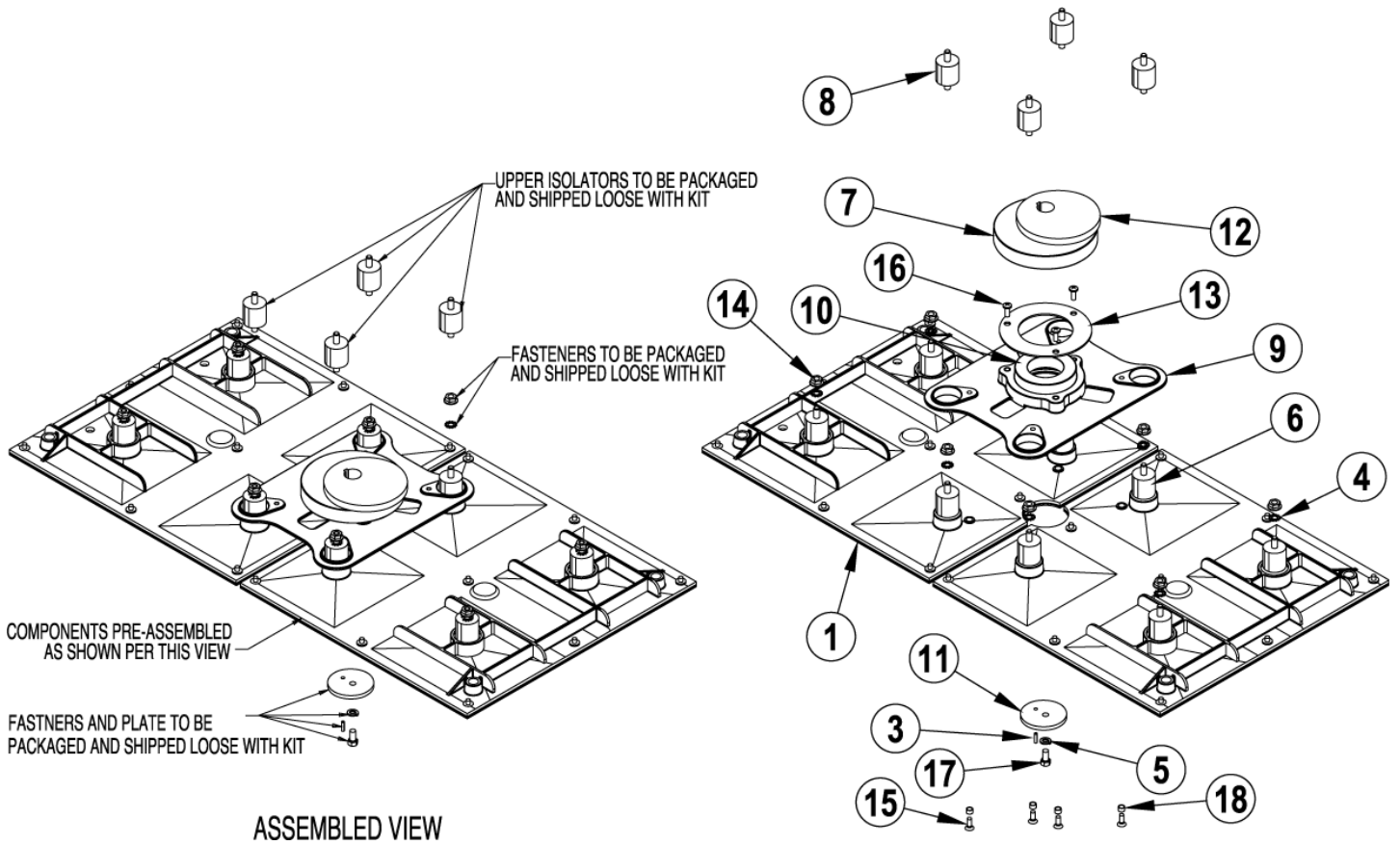
# 56380210/56380211 - Flex Plate 28/32 Kit

SCRUBTEC R571, -C, 586, BOOST R - i drive

05-01-2011

ET-Liste-Nr.  
IS56090041

3



# 56380210/56380211 - Flex Plate 28/32 Kit

SCRUBTEC R571, -C, 586, BOOST R - i drive

05-01-2011

ET-Liste-Nr.  
IS56090041

4

Pos	Artikelnr.	Me	Beschreibung		EAN
1	56380187	2	FLEX PLATE ASSY 32	56380211	5711144068
1	56380210	2	KIT FLEX PLATE 28	56380210	5711144068
3	925589	1	PIN ROLL 1/8 X 1/2		5711143085
4	980614	8	U-SCHEIBE		5711143089
5	980657	1	WASHER,LK 1/4 STD		5711143089
6	56380190	8	ISOLATOR 30 DURO 1/4 20		5711144068
7	56380192	1	SHIELD BOOST BEARING		5711144068
8	56380193	4	ISOLATOR 40 DURO 1/4 20		5711144068
9	30663A	1	HALTEPLATTE FÜR TREIBTELLER		5711143013
10	50736A	1	BEARING BALL OBS-18 6008		5711143033
11	61724A	1	RETAINER ECCENTRIC		5711143059
12	61753B	1	ECCENTRIC BOOST		5711143109
13	61775A	1	RETAINER BEARING		5711143060
14	81220A	8	NUTHEX SERRATED FLANGE1/4 20		5711143078
15	56003825	4	SCR BUTTON SOC SS LOC 10 32X.6		5711144007
16	84237A	3	SCREW, 10-32 X 1/2 PAN HD SS		5711143080
17	85737A	1	SCREW 1/4-20 X 5/8 HEX HD		5711143081
18	56380173	4	BUSHING FLEX PLATE		5711144068

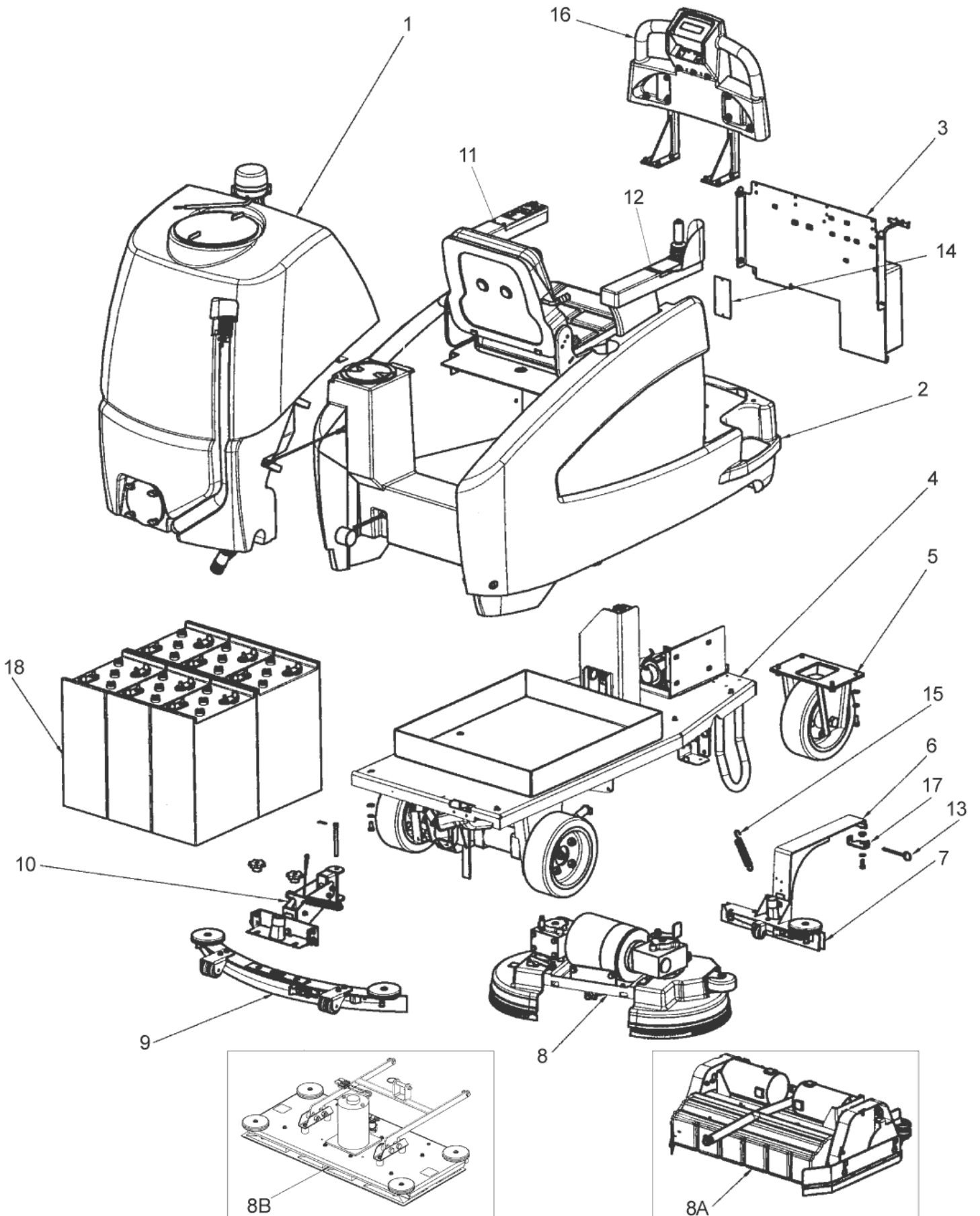
# Final assembly

SCRUBTEC R571, -C, 586, BOOST R - i drive

05-01-2011

ET-Liste-Nr.  
SCRUBTECR57102

5



# Final assembly

SCRUBTEC R571, -C, 586, BOOST R - i drive

05-01-2011

ET-Liste-Nr.  
SCRUBTECR57102

6

Pos	Artikelnr.	Me	Beschreibung	EAN
1		1	USE LINK Tank, Recovery	
2		1	USE LINK Tank, Solution	
3		1	USE LINK Electronical Panel Assembly	
4		1	USE LINK Main Frame Assembly	
5		1	USE LINK Wheel, Front Steering	
6		1	USE LINK Arm, Sec. Squeegee Lift	
7		1	USE LINK Squeegee Secondary	
8	10068L	1	SQUE ASM 39LINA TEX ENC 2426	5711143002
9	10129L	1	SQUE ASM 32 LINA TEX	5711143002
10		1	USE LINK Squeegee Lift Assembly	
11		1	USE LINK Control Arm, Left	
12		1	USE LINK Control Arm, Right	
13	53491A	1	HALTESTIFT	5711143044
14	71018A	1	PLATE WARNING	5711143071
15	818381	1	SPRING IDLER TEN TB16	5711143078
16		1	USE LINK Cover, Front Assembly	
17	60256A	1	BRACKET, PIVOT ENCORE 2426	5711143055
18	40704A	1	N. LIEFERBAR FÜR "D" BATTERIE 6V 370AH NASS	
8A		1	USE LINK Assembly, 28" Cyl. Brush head	
8B		1	USE LINK BOOST, Head Assembly	
NI	40882A	1	CABLE 200 AMP FUSIBLE	5711143023
NI	40895A	1	CABLE 24 POS BATTERY	5711143023
NI	40896A	1	CABLE 32 NEG BATTERY	5711143023
NI	41217A	1	CABLE,BATTERY (KIT #14662 B)	5711143025
16a		1	USE LINK Cover, Front Assembly	

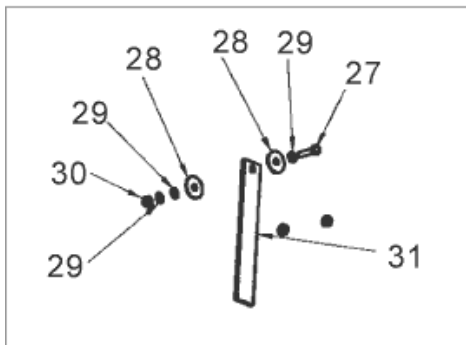
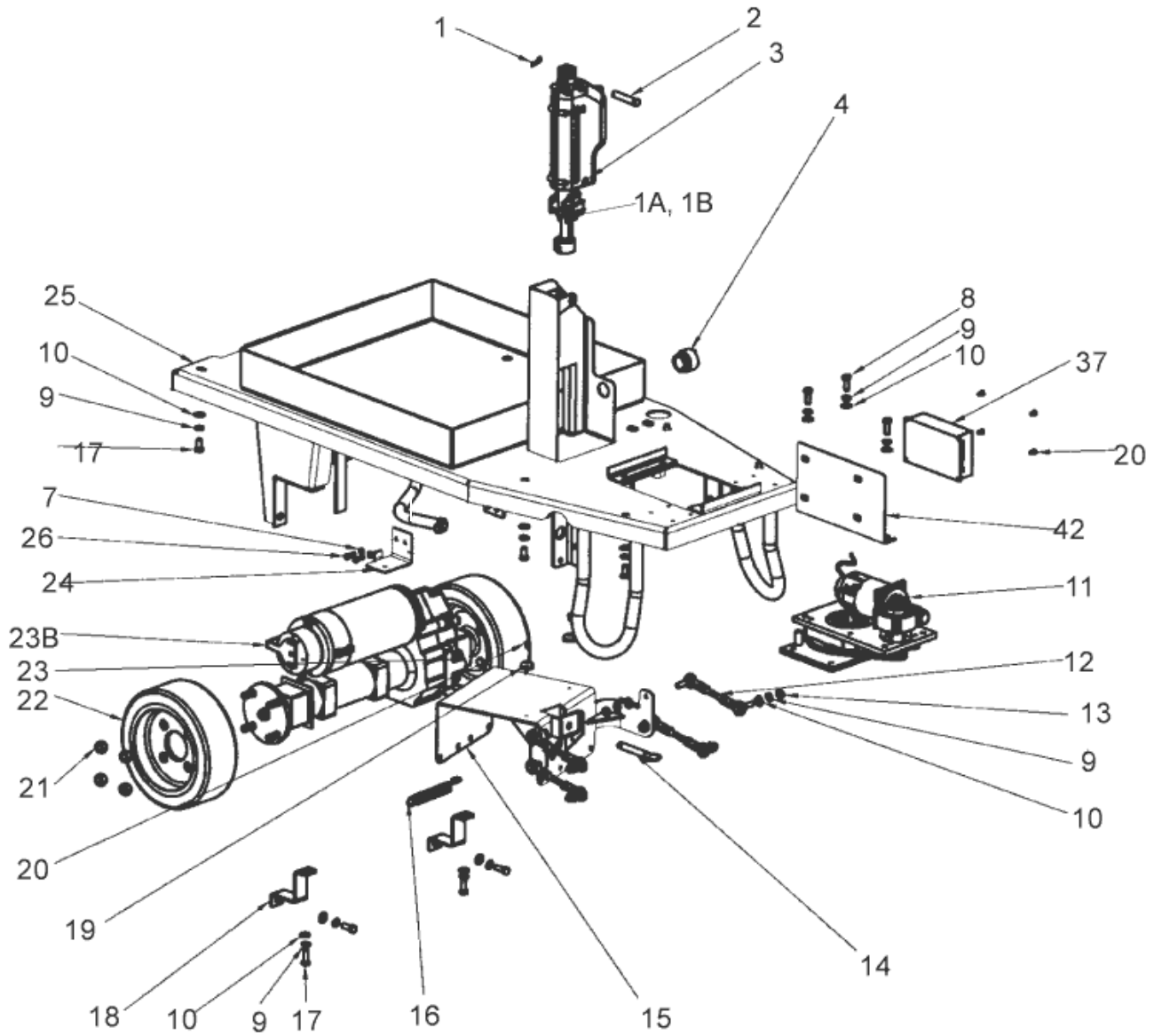
# Main frame

SCRUBTEC R571, -C, 586, BOOST R - i drive

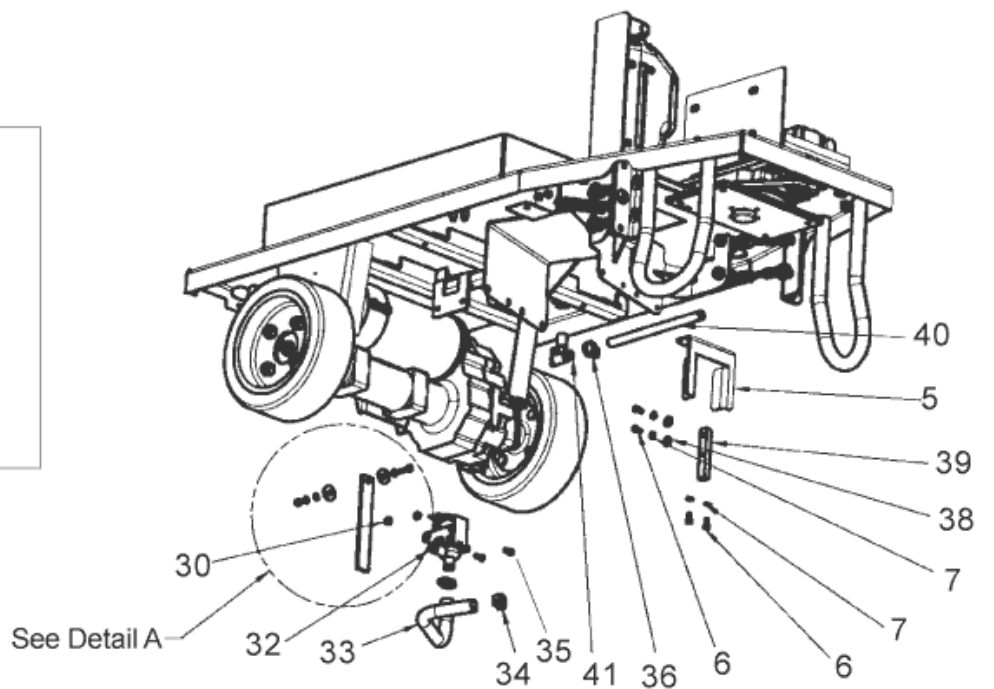
05-01-2011

ET-Liste-Nr.  
SCRUBTECR57104

7



A



See Detail A

# Main frame

SCRUBTEC R571, -C, 586, BOOST R - i drive

05-01-2011

ET-Liste-Nr.  
SCRUBTECR57104

8

Pos	Artikelnr.	Me	Beschreibung	EAN
1	766780	1	PIN-HANDLE LOCK	5711143073
2	82501A	1	PIN,CLEVIS,3200 STD SII	5711143078
3	53386B	1	HUBZYLINDER KPL. F. BÜRST ENDECK	5711143043
4	40836A	1	HORN CE REVERSE ALARM	5711143023
5	61596A	1	STOP BRUSH HEAD	5711143059
6	85737A	6	SCREW 1/4-20 X 5/8 HEX HD	5711143081
7	980657	6	WASHER,LK 1/4 STD	5711143089
8	962288	7	SCREW 3/8 16 X 1.0 HX ST CAP	5711143086
9	170883	21	WASHER LK 3/8 REGPLTD	5711143007
10	980645	21	SCHEIBE 3/8"	5711143089
11	53436A	1	STEERING ASM POWER	5711143043
12	61473A	4	ROD END ASSEMBLY 3/8	5711143058
13	920204	8	NUT 3/8 24 HEX JAM	5711143084
14	53493A	1	PIN, COTTERLESS 2-1/2"	5711143044
15	61482A	1	BRUSH LIFT WLDMT	5711143058
16	818381	1	SPRING IDLER TEN TB16	5711143078
17	962244	10	SCREW,3/8-16 X 3/4 HX HD	5711143086
18	61475A	2	BRACKET TRANSAXLE MOUNT	5711143058
19	51609A	2	BUMPER REAR	5711143037
1A	40910A	1	PLATINE MIT POTENZIOMETER SCRUBTEC R	5711143023
1B	40866A	1	GEHÄUSE POTENTIOMETER	5711143023
20	962929	6	SCREW 10 32X 3/8 BD SS PH	5711143087
21	81221A	8	NUT, LUG ,500-20 HX ZC	5711143078
22	61382A	2	RAD 10"	5711143057
23	40837B	1	GETRIEBEMOTOR 36V	5711143096
24	61572A	1	MOUNT FRONT SQ	5711143059
25	61481A	1	FRAME WLDMT	5711143058
26	962086	2	SCR 1/4 20X 3/4 HX ST CAP	5711143086
27	85700A	1	SCR 1/4 -20X1 HX ST CAP	5711143081
28	980205	2	SCHEIBE	5711143089
29	980614	3	U-SCHEIBE	5711143089
30	81104A	3	NUT, 1/2-20, ESNA TYP SS	5711143078
31	69639A	1	STATIC STRAP (FUSION)	5711143068
32	48703A	1	SOLUTION VALVE	5711143029
33	30445A	1	HOSE,SOLUTION	5711143012
34	722030	2	CLAMP, HOSE #6	5711143072
35	170915	2	SCREW,1/4-20 X 3/4 HX HD( SS)	5711143007
36	50248A	1	CLAMP, 3/8 HOSE	5711143031
37	53499A	1	STEUERUNG FAHRANTRIEB	5711143044
38	87026A	2	SCHEIBE .250 VA	5711143081
39	30558A	1	PAD BRUSH CARRIAGE STOP	5711143012
40	30453A	1	HOSE,CLEAR VINYL (ENCORE)	5711143012



# Main frame

SCRUBTEC R571, -C, 586, BOOST R - i drive

05-01-2011

ET-Liste-Nr.  
SCRUBTECR57104

9

Pos	Artikelnr.	Me	Beschreibung	EAN
41	59614A	1	VALVE,BATTERY DRAIN(ENCOR E 33)	5711143053
42	61696A	1	BRACKET STEERING CONTROLLER	5711143059
23B	40798A	1	BREMSE FÜR ANTRIEBSACHSE	5711143023

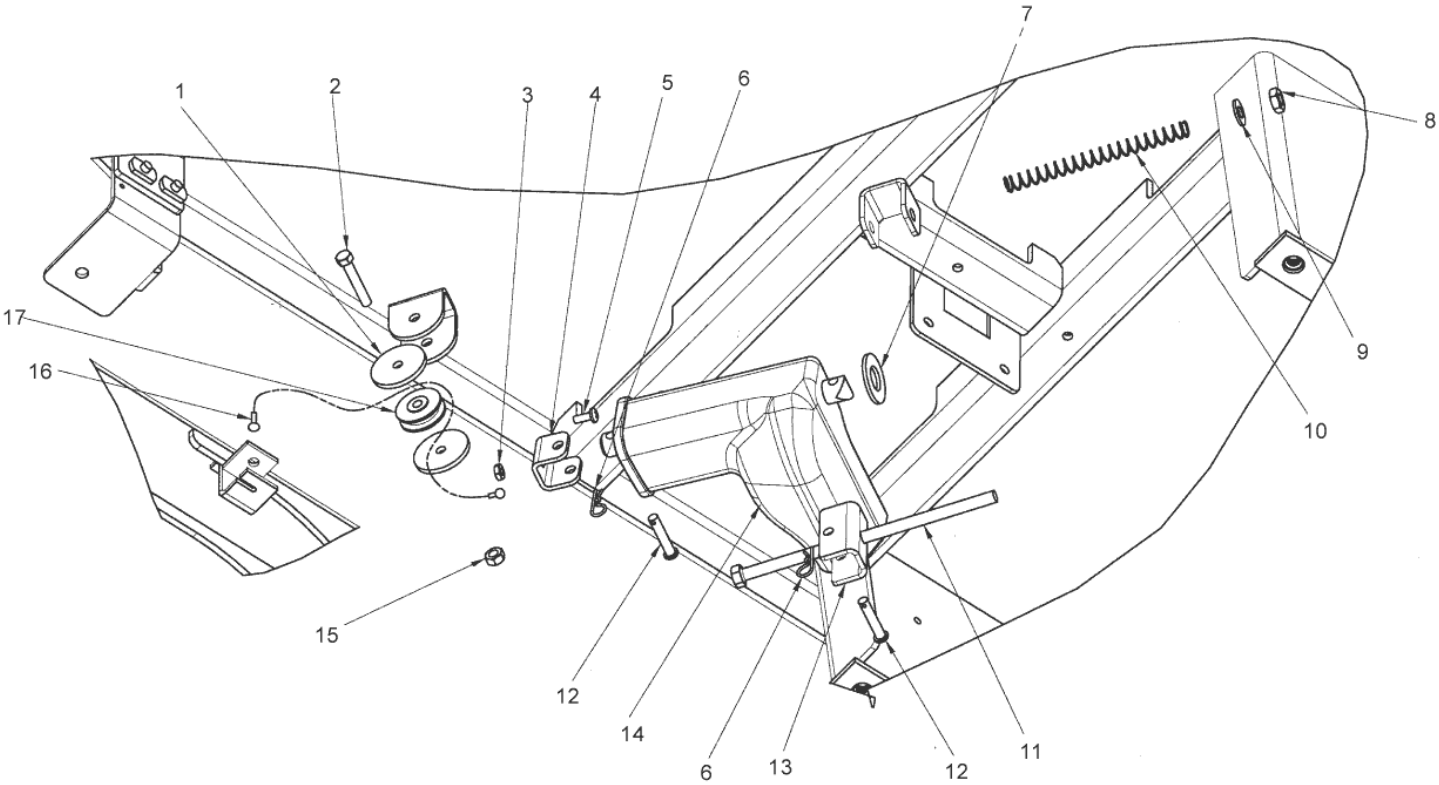
# Optional side squeegee lift

SCRUBTEC R571, -C, 586, BOOST R - i drive

05-01-2011

ET-Liste-Nr.  
SCRUBTECR57106

10



# Optional side squeegee lift

## SCRUBTEC R571, -C, 586, BOOST R - i drive

05-01-2011

ET-Liste-Nr.  
SCRUBTECR57106

11

Pos	Artikelnr.	Me Beschreibung	EAN
1	87624A	2 WASHER,FLT,1.50X.26X.13 N YLON	5711143082
2	86004A	1 SCREW 1/4 CLAMP SQ,	5711143081
3	920296	1 10-24 ELASTIC STOP NUT	5711143084
4	61699A	1 BRACKET SQU. LIFT	5711143059
5	962798	1 SCR 10-24X 1/2 PN*SS	5711143087
6	836711	2 HAIRPIN (FOR 8,0MM CLEVIS	5711143079
7	80152A	1 WASHER FLAT 5/8IDX1.5ODX	5711143076
8	920110	1 NUT,LK 5/16-18 REG(PLTD)	5711143084
9	980651	1 WASHER, 5/16 SAE FLAT	5711143089
10	80286A	1 SPRING	5711143077
11	80287A	1 SCREW 5/16 18X7 HHCS	5711143077
12	80273A	2 PIN, CLEVIS 1/4 X 1-1/4	5711143077
13	61698A	1 BRACKET ACTUATOR MOUNT	5711143059
14	40751A	1 ACTUATOR SEC. SQU. LIFT	5711143022
15	81104A	1 NUT, 1/2-20, ESNA TYP SS	5711143078
16	61695A	1 CABLE SIDE SQU. LIFT	5711143059
17	57275A	1 PULLEY ,SQUEG,CABLE(ENCORE 33)	5711143051

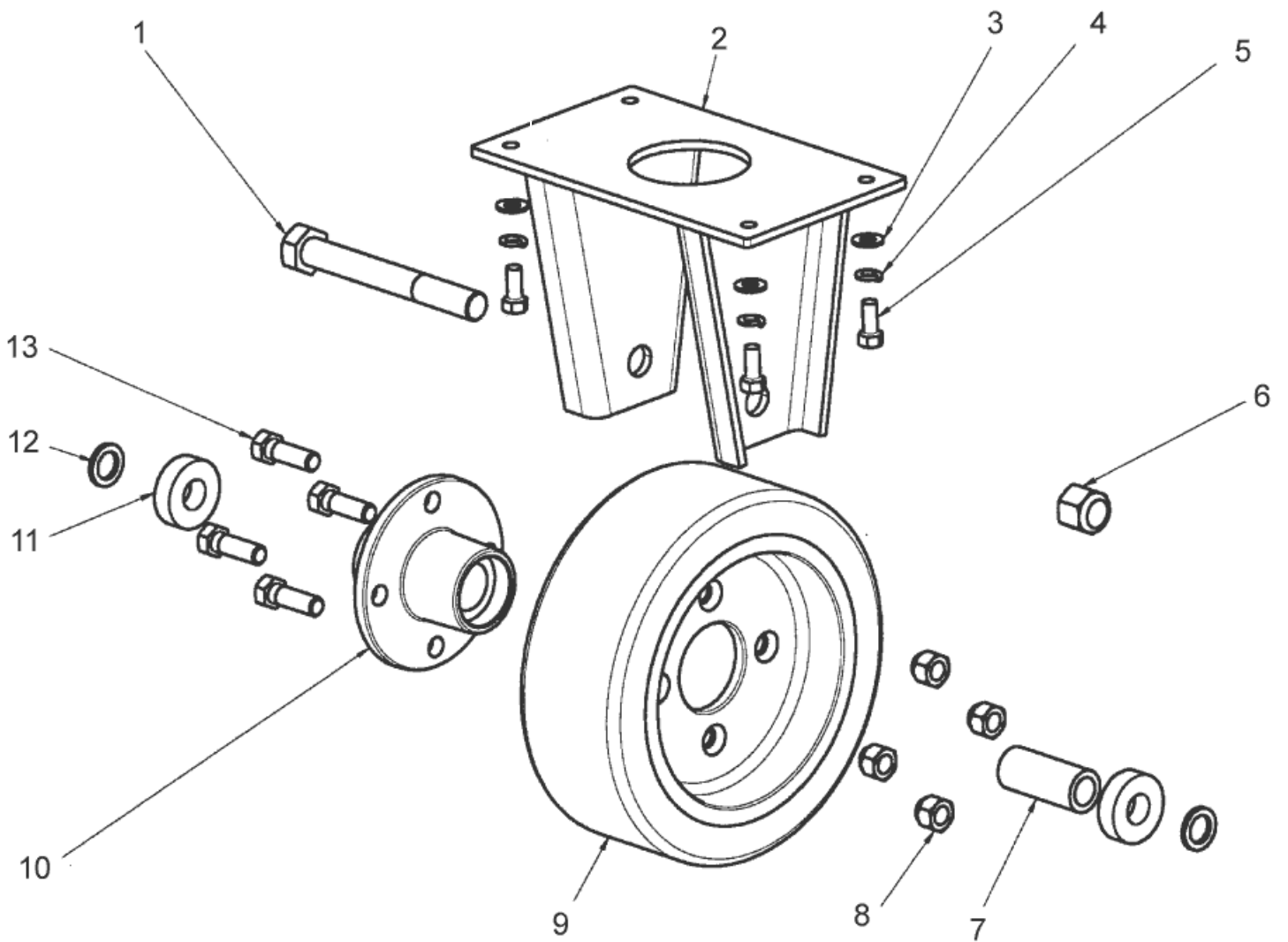
# Front wheel

SCRUBTEC R571, -C, 586, BOOST R - i drive

05-01-2011

ET-Liste-Nr.  
SCRUBTECR57108

12



# Front wheel

SCRUBTEC R571, -C, 586, BOOST R - i drive

05-01-2011

ET-Liste-Nr.  
SCRUBTECR57108

13

Pos	Artikelnr.	Me	Beschreibung	EAN
1	80267A	1	SCREW 3/4 16 X 6 GRADE 5	5711143077
2	61472A	1	WLDMT FRONT YOKE	5711143058
3	980645	4	SCHEIBE 3/8"	5711143089
4	170883	4	WASHER LK 3/8 REGPLTD	5711143007
5	85822A	4	SCREW, 3/8-16 X 7/8 HX CA	5711143081
6	80268A	1	NUT 3/4 16 ESNA	5711143077
7	61483A	1	SPACER FRONT WHEEL INNER	5711143058
8	81221A	4	NUT, LUG ,500-20 HX ZC	5711143078
9	61382A	1	RAD 10"	5711143057
10	61691A	1	HUB FRONT WHEEL ASM.	5711143059
11		2	BEARING FRONT WHEEL	included in position 10 5711143043
12		2	MONTEURKOSTEN LT. AUF- S. L09852000	included in position 10 5701715456
13	85838A	4	SCREW 1/2 UNC X 1,5	5711143081

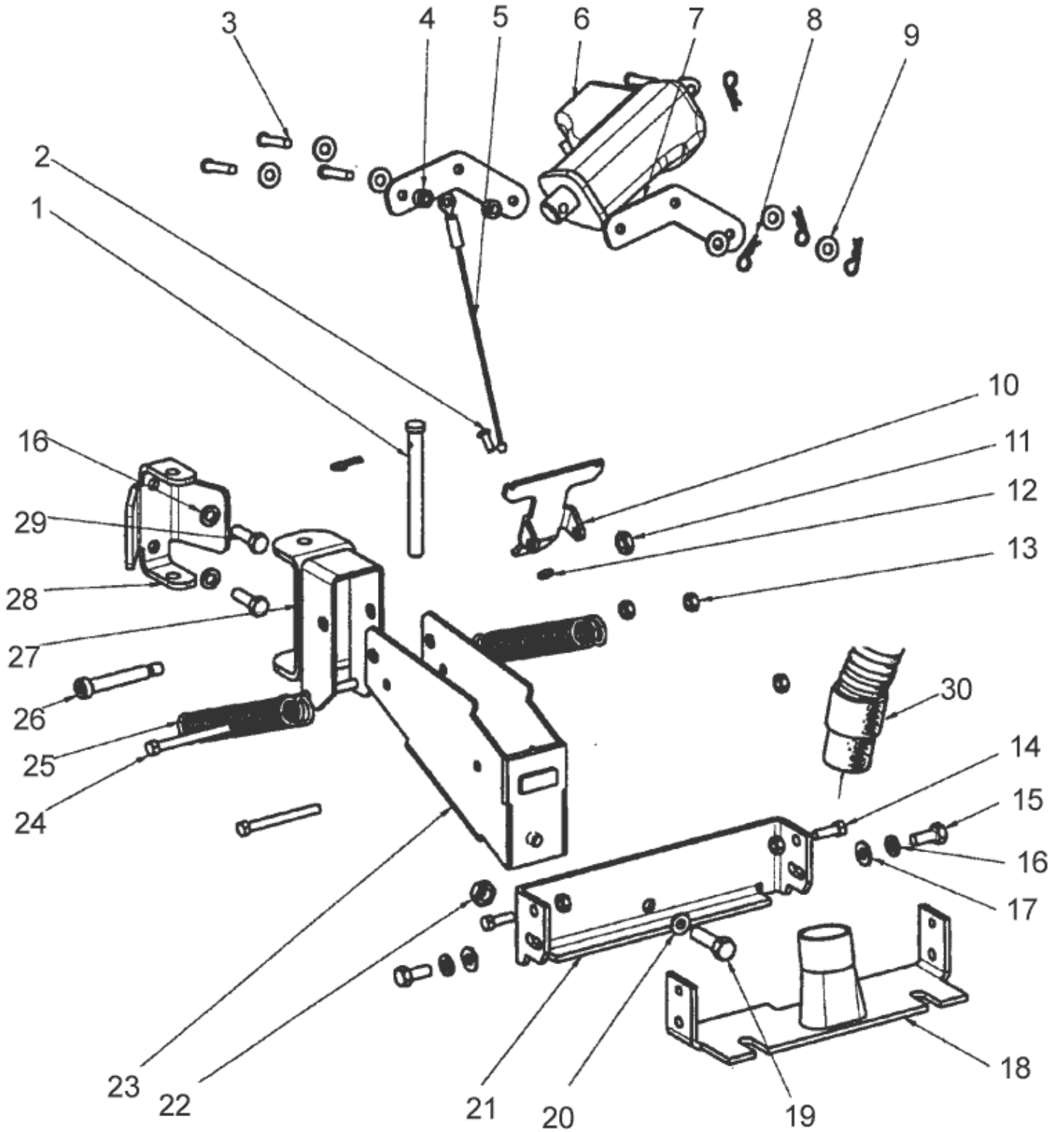
# ABGAUGERHEBER

SCRUBTEC R571, -C, 586, BOOST R - i drive

05-01-2011

ET-Liste-Nr.  
SCRUBTECR57110

14



# ABGAUGERHEBER

SCRUBTEC R571, -C, 586, BOOST R - i drive

05-01-2011

ET-Liste-Nr.  
SCRUBTECR57110

15

Pos	Artikelnr.	Me Beschreibung	EAN
1	66531A	1 PIN, SWING ARM, 32 DLX	5711143064
2	962798	1 SCR 10-24X 1/2 PN*SS	5711143087
3	80273A	4 PIN, CLEVIS 1/4 X 1-1/4	5711143077
4	30542A	2 SPACER	5711143012
5	61549A	1 SEILZUG SCRUBTEC R	5711143058
6	53387B	1 ACTUATOR SQUEEGEE	5711143043
7	53446A	2 LEVER SQ LIFT	5711143044
8	836711	5 HAIRPIN (FOR 8,0MM CLEVIS	5711143079
9	87026A	6 SCHEIBE .250 VA	5711143081
10	61552A	1 LEVER SPRING	5711143058
11	920110	1 NUT, LK 5/16-18 REG (PLTD)	5711143084
12	920296	1 10-24 ELASTIC STOP NUT	5711143084
13	81104A	5 NUT, 1/2-20, ESNA TYP SS	5711143078
14	170915	2 SCREW, 1/4-20 X 3/4 HX HD (SS)	5711143007
15	962620	2 SCR 5/16-24X 3/4 HX ST CAP	5711143086
16	980652	4 SCHEIBE LK 5/16 REG PLTD	5711143089
17	980651	2 WASHER, 5/16 SAE FLAT	5711143089
18	61267A	1 BRACKET WELDMENT, TUBE (EN CORE)	5711143057
19	85730A	1 SCREW 3/8 -16X1&1/4 HEX H D. SS	5711143081
20	87031A	1 WASHER, FLAT 3/8, S.S.	5711143081
21	60678C	11 RAHMEN DREHGELENK "LARGE ENCORE"	5711143056
22	81105A	1 NUT, 3/8-16, ESNA TYPE SS	5711143078
23	61551A	1 WLDMT REAR ARM	5711143058
24	962269	2 SCR 1/4 20X2&1/2 HX ST CAP	5711143086
25	53423A	2 SPRING, SQUG. PRES. (ENCORE 28-38)	5711143043
26	80015A	2 BOLT, SHOULDER, 3/8 X 2	5711143076
27	61550A	1 MOUNT FRONT ARM	5711143058
28	61491A	1 STOP SQUEEGEE	5711143058
28	61736A	1 BRACKET HEAD STOP	5711143059
29	85813A	2 SCREW, 5/16-18 X 1 HX HD	5711143081
30	30568A	1 HOSE 1-1/2 SQUEEGEE X 17"	5715492040

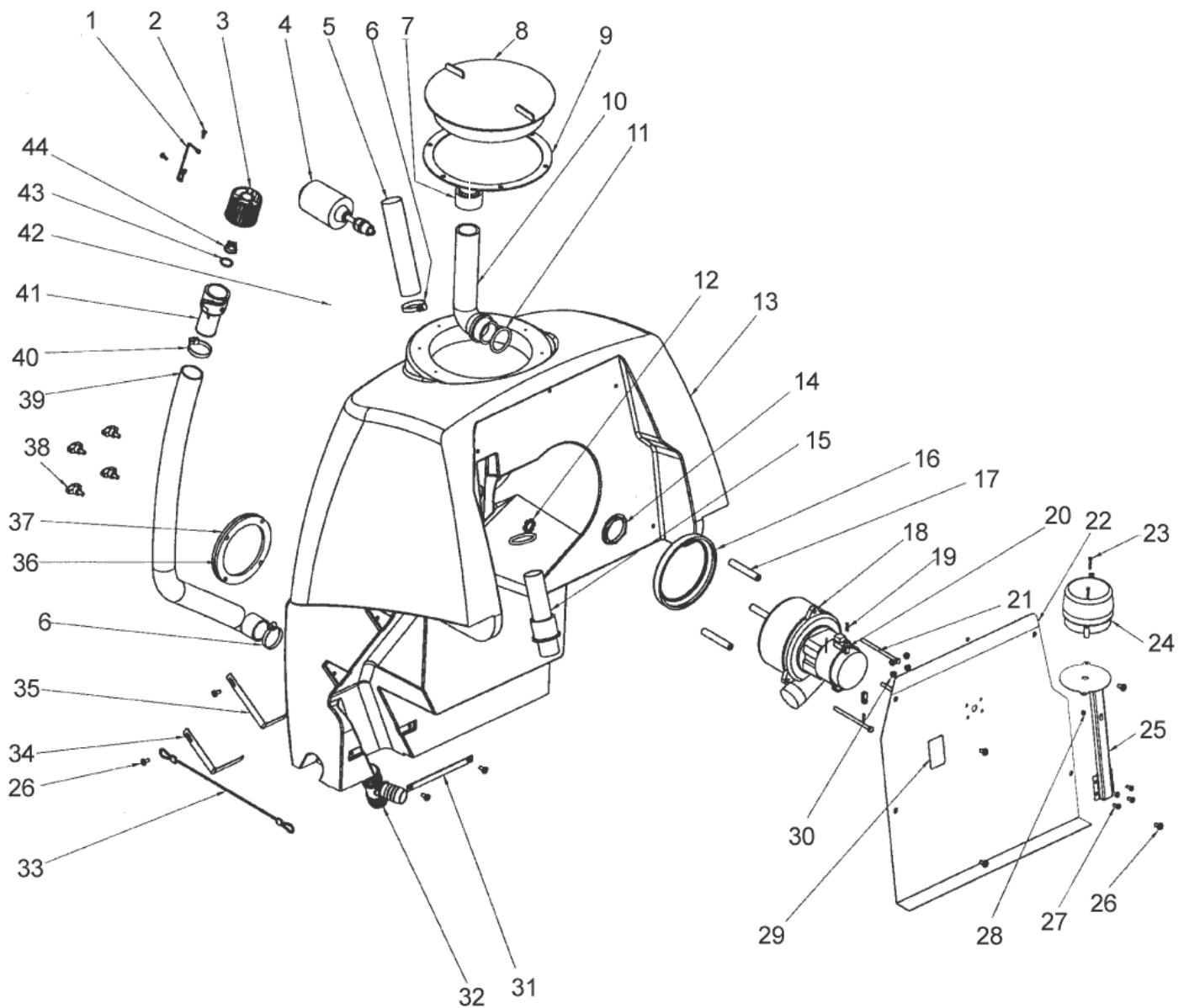
# SCHMUTZWASSERTANK

SCRUBTEC R571, -C, 586, BOOST R - i drive

05-01-2011

ET-Liste-Nr.  
SCRUBTECR57112

16





# SCHMUTZWASSERTANK

SCRUBTEC R571, -C, 586, BOOST R - i drive

05-01-2011

ET-Liste-Nr.  
SCRUBTECR57112

17

Pos	Artikelnr.	Me	Beschreibung	EAN
1	52206A	1	CHAIN,COVER AUTOSCRUBER	5711143038
2	962957	2	SCR 10-16X 1/2 PN*ST HI	5711143087
3	30227A	1	KAPPE FÜR ABLAUF SCHLAUCH "ENCORE 17"	5711143010
4	40002A	1	SCHWIMMERSCHALTER ELEKTRISCH	5711143020
5	30622A	1	HOSE, VAC EXHAUST	5711143013
6	752020	1	CLAMP 450 SHAMPOOER VAC	5711143073
7	58069A	1	FILTER FUER VACUUMROHR "ENCORE 20"	5711143051
8	30581A	1	TANKVERSCHLUSS	5711143013
9	30582A	1	TANKDICHTUNG	5711143013
10	39339B	1	SAUGROHR 7" IM SCHMUTZWASSERTANK"IMAGE"	5711143019
11	837304	2	O-RING, RETAINER, PAPER B	5711143080
12	82100A	1	LOCKNUT, 1/2" CONDUIT	5711143078
13	30531A	1	TANK, RECOVERY	5711143012
14	920797	1	MUTTER	5711143084
15	30623A	1	ADAPTOR ASM. VAC INTAKE	5711143013
16	643418	1	GASKET	5711143062
17	58533A	3	SPACER,VAC MOTOR,3 STG, (	5711143052
18	45019A	1	MOTOR-VAC,36VDC 3 STAGE	5711143027
19	41809A	2	CONTACT, CONNECTOR (VISIO	5711143025
20	43401A	2	HOUSING, CONNECTOR (BLK)	5711143026
21	85728A	3	SCREW,1/4-20 X 4 HEX HD A	5711143081
22	61565A	1	PANEL REC TANK ACCESS	5711143059
23	962212	2	SCHRAUBE 6-32 X 7/8	5711143086
24	40874A	1	LIGHT STROBE	5711143023
25	61579A	1	BRACKET STROBE LIGHT	5711143059
26	85395A	8	SCHRAUBE FLACHKOPF 1/4-20 X 1/2	5711143080
27	84237A	4	SCREW, 10-32 X 1/2 PAN HD SS	5711143080
28	920056	2	MUTTER 6X32	5711143084
29	71014A	1	LABEL FALLING PARTS	5711143071
30	920722	4	MUTTER SI- 10-32	5701715202
31	61478A	1	HOSE RETAINER STRAIGHT	5711143058
32	30561A	1	TEE REC. HOSE REDUCING	5711143012
32	682408	1	HOSE-CONNECTOR 1 1/2" (T B	5711143067
33	61573B	1	ZUG FÜR TANK	5711143059
34	61498A	1	HOSE RETAINER 90 DEG	5711143058
35	61477A	1	HOSE RETAINER 90 DEG	5711143058
36	30559A	1	GASKET CLEAN OUT COVER	5711143012
37	61566A	1	DECKEL	5711143059
38	52477A	4	FLÜGELSCHRAUBE	5711143039
39	30443A	1	DRAIN HOSE RECOVERY	5711143012
40	832002	2	CLAMP-DRAIN VALVE	5711143079
41	30225A	1	SCHLAUCHMUFFE	5711143010

# SCHMUTZWASSERTANK

SCRUBTEC R571, -C, 586, BOOST R - i drive

05-01-2011

ET-Liste-Nr.  
SCRUBTECR57112

18

Pos	Artikelnr.	Me	Beschreibung	EAN
42	40876A	1	SENSOR LIQUID LEVEL	5711143023
43	52560A	1	ERSETZ MIT 3000825	5711143039
44	30226A	1	KOLBEN FÜR ABLAUFSCHLAUCH VERSCHLUß	5711143010
NI	30567A	1	HOSE 1-1/2 VAC X 36"	5711143012
NI	30568A	1	HOSE 1-1/2 SQUEEGEE X 17"	5715492040
NI	38731A	1	HOSE 1 1/2 X 57.0 SQUEEGEE	5711143019

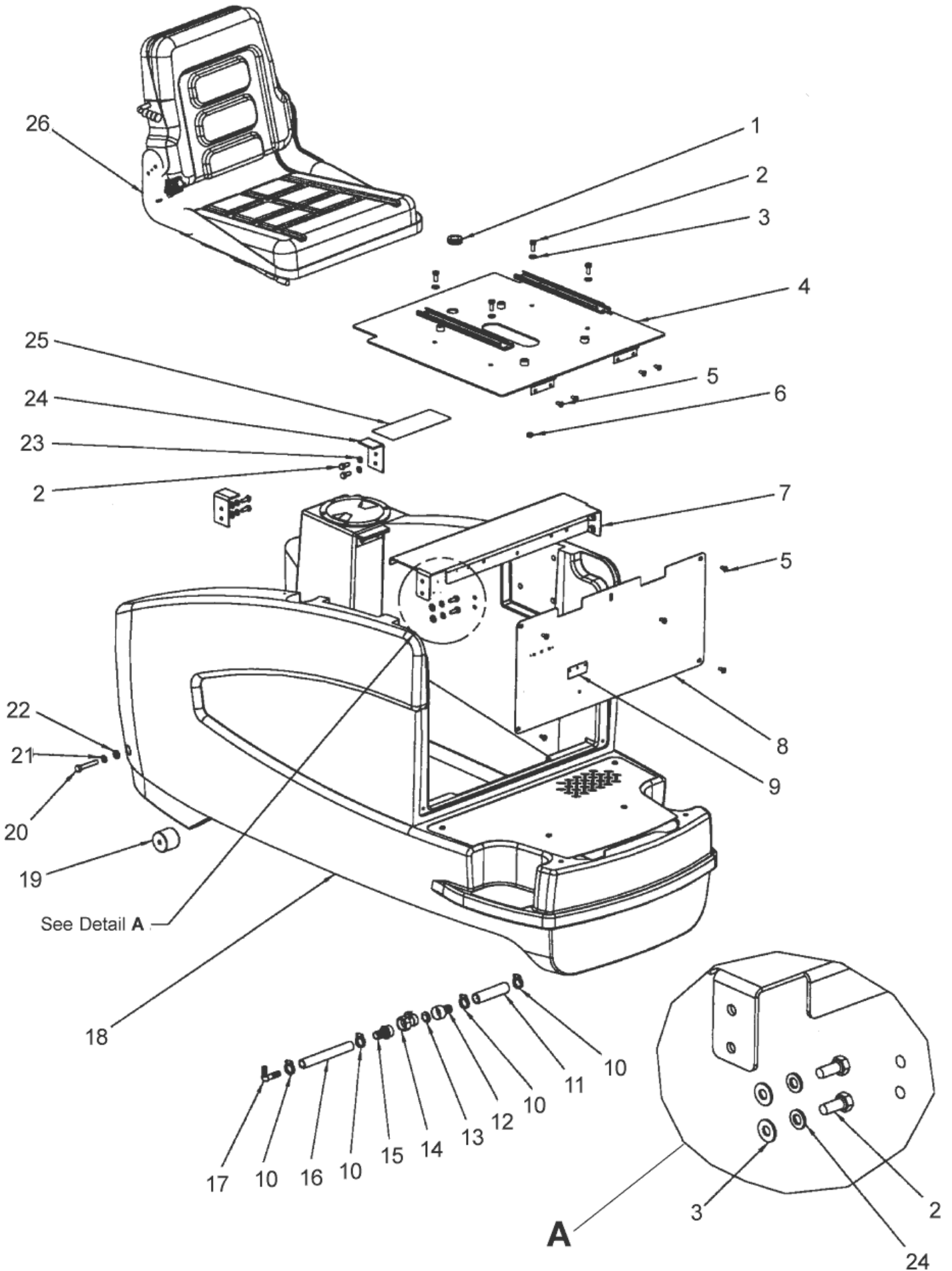
# Solution tank assembly

SCRUBTEC R571, -C, 586, BOOST R - i drive

05-01-2011

ET-Liste-Nr.  
SCRUBTECR57114

19



# Sulotion tank assembly

SCRUBTEC R571, -C, 586, BOOST R - i drive

05-01-2011

ET-Liste-Nr.  
SCRUBTECR57114

20

Pos	Artikelnr.	Me	Beschreibung	EAN
1	193944	1	GROMMETRUBBER 3/4ID X 3/8	5711143007
2	85811A	12	SHR 6KT- 5/16-18 3/4	5711143081
3	980651	13	WASHER, 5/16 SAE FLAT	5711143089
4	61492B	1	PLATE SEAT SUPPORT	5711143058
5	85395A	9	SCHRAUBE FLACHKOPF 1/4-20 X 1/2	5711143080
6	81112A	1	NUT,5/16-18 THIN ESNA S,S ,	5711143078
7	61490A	1	MOUNT SEAT ASM. WLDMT	5711143058
8	61489A	1	COVER ELECTRICAL PANEL	5711143058
9	70883A	1	LABEL BATTERY CHARGER	5711143071
10	53571A	4	CLAMP, HOSE	5711143044
11	30566A	1	HOSE SOLUTION 3/4 ID X 4	5711143012
12	50358A	1	ADAPTOR, 5/8 BARB (ENCORE 33)	5711143032
13	838517	1	SCREEN-HOSE WASHER	5711143080
14		1	MONTEURKOSTEN LT. AUF- S. L09852000	5701715456
			Valve, Shutoff 3/4 GHT x 3/4 GHT	
15	830214	1	SCHLAUCHTUELLE AUSSENGEWI NDE .75	5711143078
16	30445A	1	HOSE,SOLUTION	5711143012
17	53498A	1	ELBOW 90 DEG 1/2 NPTF	5711143044
18	30530A	1	TANK SOLUTION	5711143012
19	61561A	2	PIVOT RECOVERY TANK	5711143059
20	85704A	2	SCR 3/8-16X2&1/4 HX ST	5711143081
21	170883	2	WASHER LK 3/8 REGPLTD	5711143007
22	980645	2	SCHEIBE 3/8"	5711143089
23	980652	8	SCHEIBE LK 5/16 REG PLTD	5711143089
24	61562A	2	BRACKET SEAT STOP	5711143059
25	70841A	1	LABEL BATTERY INSTALLATION	5711143071
26	30534B	1	SEAT ERGO ADJUSTABLE	5711143012



# Front cover assembly R 571, 586, BOOST R

SCRUBTEC R571, -C, 586, BOOST R - i drive

05-01-2011

ET-Liste-Nr.  
SCRUBTECR57115

22

Pos	Artikelnr.	Me	Beschreibung	EAN
1	61556A	1	PLATE LCD DISPLAY	5711143058
2	40880A	1	LCD DISPLAY	5711143023
3	84237A	6	SCREW, 10-32 X 1/2 PAN HD SS	5711143080
4	70808A	1	LABEL SOL/REC LED	5711143071
5	30529A	1	COVER FRONT	5711143012
6	962157	2	SCR 5/16-18X1&1/4 HX ST CAP	5711143086
7	170883	6	WASHER LK 3/8 REGPLTD	5711143007
8	980645	10	SCHEIBE 3/8"	5711143089
9	920260	4	MUTTER 3/8 X 16	5711143084
10	41448B	1	BREAKER, CIRCUIT 30A PUSH BTTN	5711143025
11	41423B	2	ÜBERSTROMBEGRENZER 5A RÜC KSTELLBAR	5711143025
12	85737A	8	SCREW 1/4-20 X 5/8 HEX HD	5711143081
13	980657	8	WASHER,LK 1/4 STD	5711143089
14	53448A	2	SUPPORT FRONT COVER	5711143044
15	962522	4	SCREW 3/8	5711143086
16	920722	2	MUTTER SI- 10-32	5701715202
17	40879A	1	MODULE SOL/REC LED	5711143023

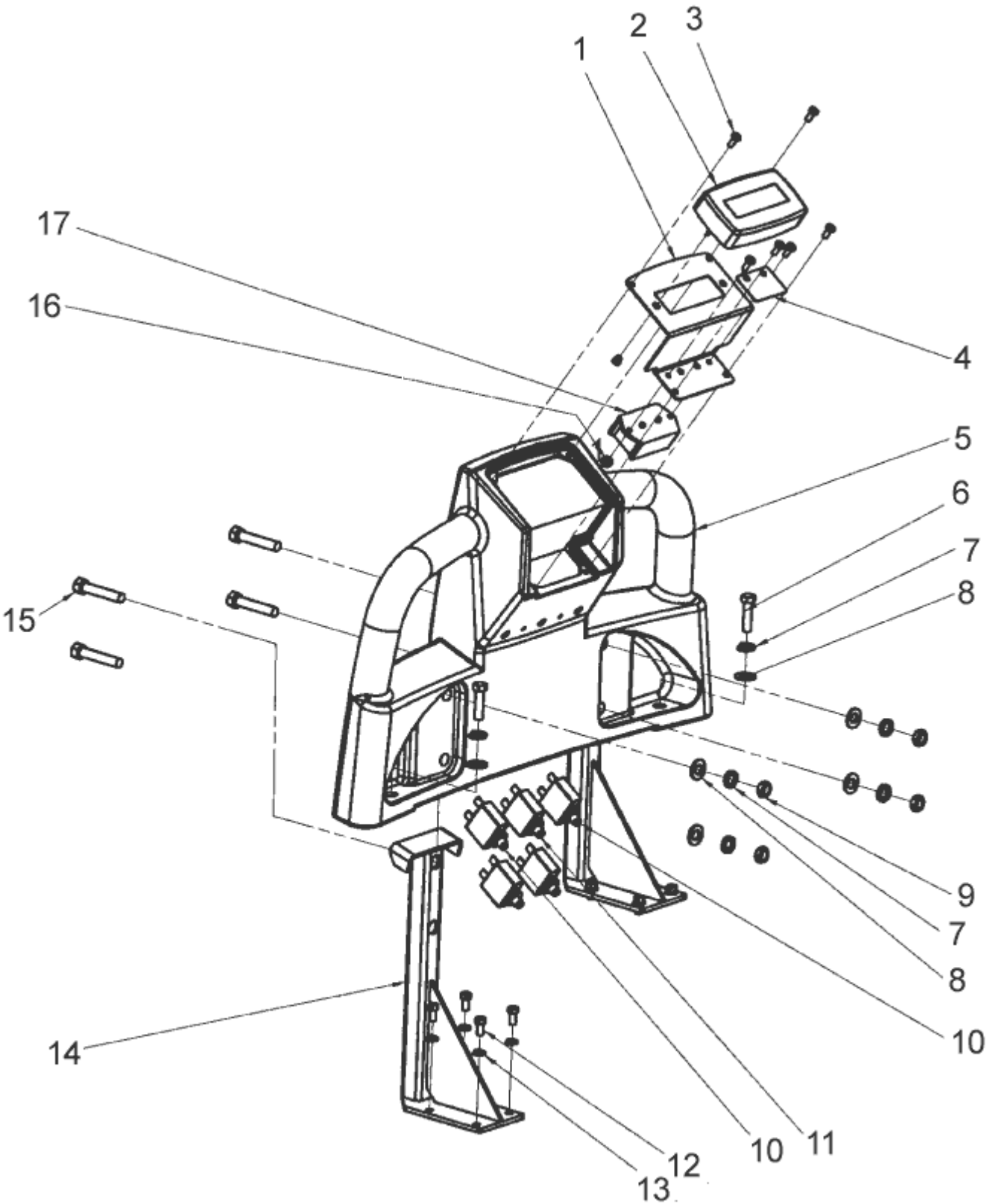
# Front cover assembly R 571 C

SCRUBTEC R571, -C, 586, BOOST R - i drive

05-01-2011

ET-Liste-Nr.  
SCRUBTECR57116

23



# Front cover assembly R 571 C

SCRUBTEC R571, -C, 586, BOOST R - i drive

05-01-2011

ET-Liste-Nr.  
SCRUBTECR57116

24

Pos	Artikelnr.	Me	Beschreibung	EAN
1	61556A	1	PLATE LCD DISPLAY	5711143058
2	40880A	1	LCD DISPLAY	5711143023
3	84237A	6	SCREW, 10-32 X 1/2 PAN HD SS	5711143080
4	70808A	1	LABEL SOL/REC LED	5711143071
5	30529A	1	COVER FRONT	5711143012
6	962157	2	SCR 5/16-18X1&1/4 HX ST CAP	5711143086
7	170883	6	WASHER LK 3/8 REGPLTD	5711143007
8	980645	10	SCHEIBE 3/8"	5711143089
9	920260	4	MUTTER 3/8 X 16	5711143084
10	41423B	2	ÜBERSTROMBEGRENZER 5A RÜC KSTELLBAR	5711143025
11		3	MONTEURKOSTEN LT. AUF- S. L09852000	5701715456
			Breaker, 30A Circuit	
12	85737A	8	SCREW 1/4-20 X 5/8 HEX HD	5711143081
13	980657	8	WASHER,LK 1/4 STD	5711143089
14	53448A	2	SUPPORT FRONT COVER	5711143044
15	962522	4	SCREW 3/8	5711143086
16	920722	2	MUTTER SI- 10-32	5701715202
17	40879A	1	MODULE SOL/REC LED	5711143023



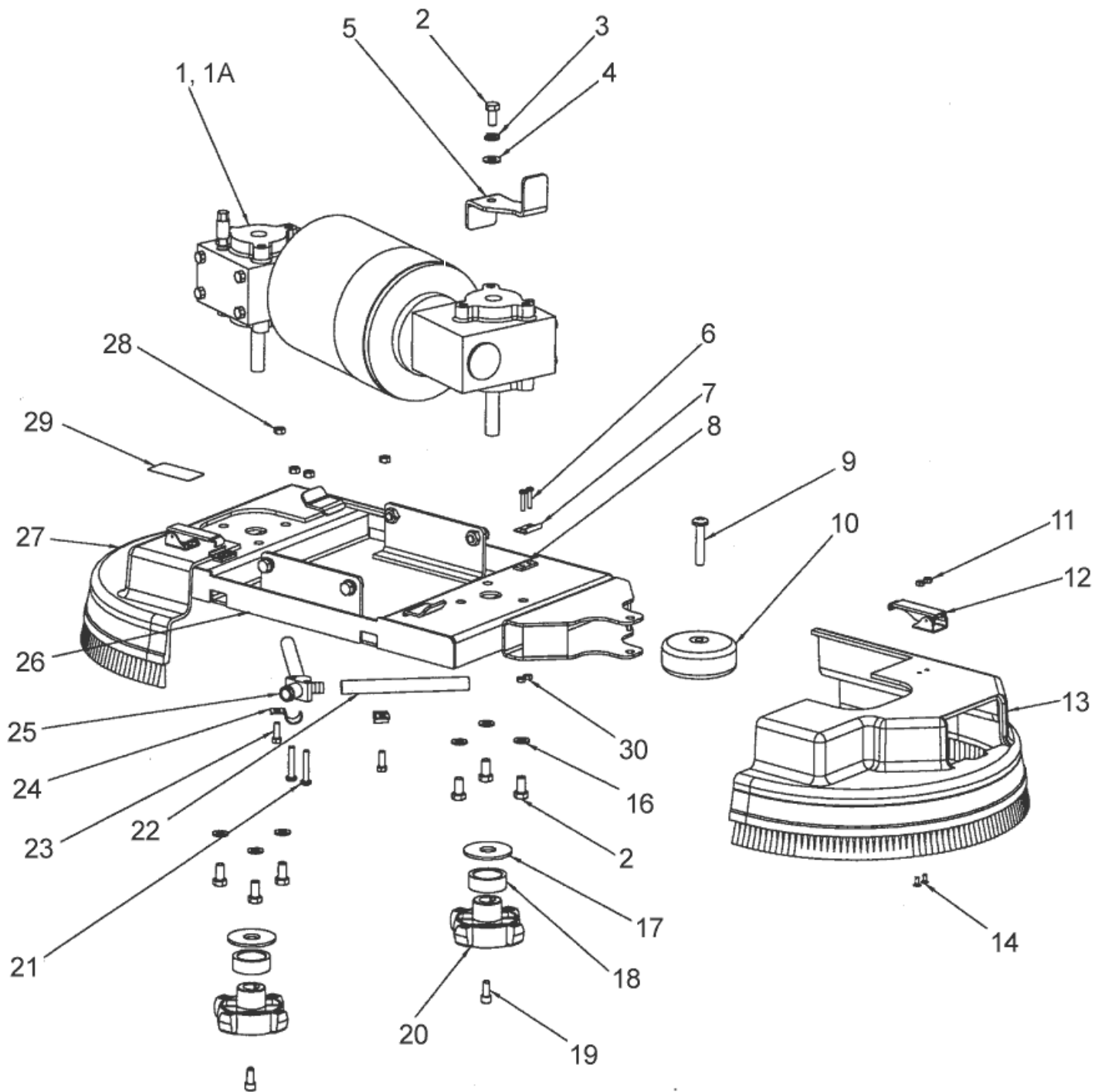
# Rotary brush head R571

SCRUBTEC R571, -C, 586, BOOST R - i drive

05-01-2011

ET-Liste-Nr.  
SCRUBTECR57118

25



# Rotary brush head R571

SCRUBTEC R571, -C, 586, BOOST R - i drive

05-01-2011

ET-Liste-Nr.  
SCRUBTECR57118

26

Pos	Artikelnr.	Me Beschreibung	EAN
1	40904A	1 MOTOR 28 BRUSH	5711143023
2	962244	12 SCREW,3/8-16 X 3/4 HX HD	5711143086
3	170883	2 WASHER LK 3/8 REGPLTD	5711143007
4	980645	2 SCHEIBE 3/8"	5711143089
5	61497A	1 PLATE 28 SQ LIFT	5711143058
5	61722A	1 PLATE 28 HD. SEC. SQ. STOP	5711143059
6	85613A	4 SCREW8 32X7/8 PAN HD	5711143081
7	55451A	2 KEEPER,BRSH,HSG,(ENCORE 2 8-38)	5711143048
8	61570A	2 SPACER LATCH KEEPER	5711143059
9	962803	1 SCR 5/16 18X1&1/2 SF ST RECES	5711143087
10	53838A	1 WHEEL GUIDE 4.00	5711143045
11	920108	4 NUT HEX 8 32 PLTD	5711143084
12	55721A	2 VERRIEGELUNG F. ENCORE 28 -33	5711143049
13	30535A	1 BÜRSTE HSG 28" RH	5711143012
14	962030	4 SCR 8 32X 3/8 FT ST MACH	5711143086
16	980638	10 FEDERSCHEIBE 3/8"	5711143089
17	59856A	2 WASHER,FLAT RUBBER,3/4X	5711143053
18	61658A	2 COLLAR,RUSH DRIVER(26/3	5711143059
19	962714	2 SCR 5/16-18X 3/4 SC ST	5711143087
1A	915102	2 KEY 1/4X1/4X31/32 SQ	5711143084
20	34400B	2 KARDANKUPPLUNG FUER TREIB TELLER "ENCORE	5711143017
21	962989	2 SCR 1/4 -20X1&1/2 PN*ST	5711143087
22	34705A	2 HOSE, BRUSH (VISION 26L)	5711143017
23	170915	2 SCREW,1/4-20 X 3/4 HX HD( SS)	5711143007
24	782002	2 CLAMP-MANIFOLD RM-10	5711143074
25	38014A	1 SPLITTER, SOLUTION (ENCOR E)	5711143018
26	61546B	1 BRUSH BASE 28 LOW PROF	5711143058
27	30536A	1 BÜRSTE HSG 28" LH	5711143012
28	81104A	4 NUT, 1/2-20, ESNA TYP SS	5711143078
29	71017A	1 LABEL MOVING PARTS	5711143071
30	81109A	4 NUT,HEX ELASTIC LOCK,SS,8	5711143078
NI	30535A	1 BÜRSTE HSG 28" RH	5711143012
NI	30536A	1 BÜRSTE HSG 28" LH	5711143012

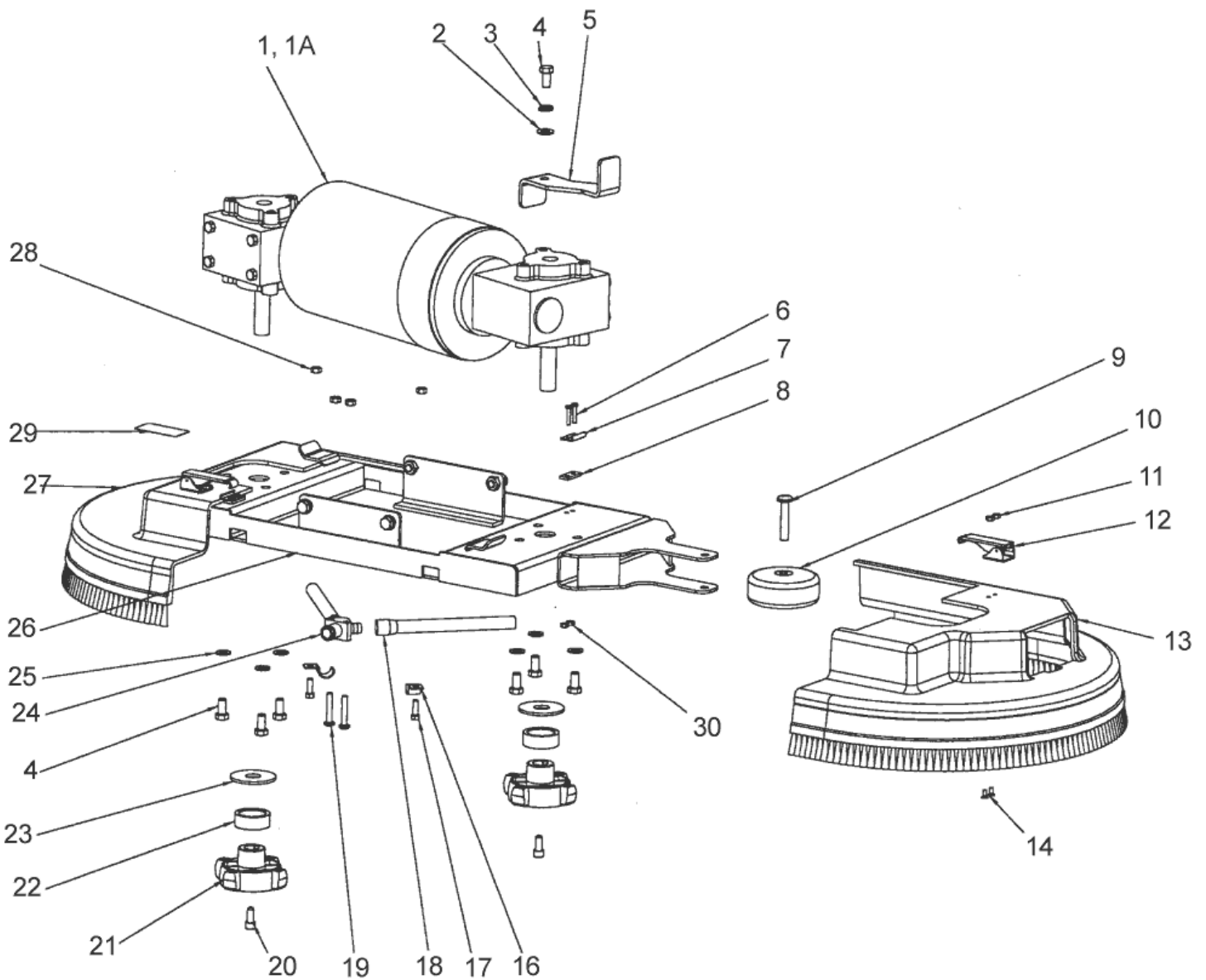
# Rotary head R586

SCRUBTEC R571, -C, 586, BOOST R - i drive

05-01-2011

ET-Liste-Nr.  
SCRUBTECR57120

27



# Rotary head R586

SCRUBTEC R571, -C, 586, BOOST R - i drive

05-01-2011

ET-Liste-Nr.  
SCRUBTECR57120

28

Pos	Artikelnr.	Me Beschreibung	EAN
1	40905A	1 MOTOR, 34" BRUSH	5711143023
2	980645	2 SCHEIBE 3/8"	5711143089
3	170883	2 WASHER LK 3/8 REGPLTD	5711143007
4	962244	11 SCREW,3/8-16 X 3/4 HX HD	5711143086
5	61497A	1 PLATE 28 SQ LIFT	5711143058
5	61723A	1 PLATE 34 HD. SEC. SQ. STOP	5711143059
6	85613A	4 SCREW8 32X7/8 PAN HD	5711143081
7	55451A	2 KEEPER,BRSH,HSG,(ENCORE 2 8-38)	5711143048
8	61570A	2 SPACER LATCH KEEPER	5711143059
9	962803	1 SCR 5/16 18X1&1/2 SF ST RECES	5711143087
10	53838A	1 WHEEL GUIDE 4.00	5711143045
11	920108	4 NUT HEX 8 32 PLTD	5711143084
12	55721A	2 VERRIEGELUNG F. ENCORE 28 -33	5711143049
13	30537A	1 ABDECKUNG BÜRSTE RECHTS	5711143012
14	962030	4 SCR 8 32X 3/8 FT ST MACH	5711143086
16	782002	2 CLAMP-MANIFOLD RM-10	5711143074
17	170915	2 SCREW,1/4-20 X 3/4 HX HD( SS)	5711143007
18	30210A	1 SCHLAUCH KLAR	5711143010
19	962989	2 SCR 1/4 -20X1&1/2 PN*ST	5711143087
1A	915102	2 KEY 1/4X1/4X31/32 SQ	5711143084
20	962714	2 SCR 5/16-18X 3/4 SC ST	5711143087
21	34400B	2 KARDANKUPPLUNG FUER TREIB TELLER "ENCORE	5711143017
22	61658A	2 COLLAR,RUSH DRIVER(26/3	5711143059
23	59856A	2 WASHER,FLAT RUBBER,3/4X	5711143053
24	38014A	1 SPLITTER, SOLUTION (ENCOR E)	5711143018
25	980638	10 FEDERSCHEIBE 3/8"	5711143089
26	61547B	1 BRUSH BASE 34 LOW PROF	5711143058
27	30538A	1 ABDECKUNG BÜRSTE LINKS	5711143012
28	81104A	4 NUT, 1/2-20, ESNA TYP SS	5711143078
29	71017A	1 LABEL MOVING PARTS	5711143071
30	81109A	4 NUT,HEX ELASTIC LOCK,SS,8	5711143078
NI	30537A	1 ABDECKUNG BÜRSTE RECHTS	5711143012
NI	30538A	1 ABDECKUNG BÜRSTE LINKS	5711143012

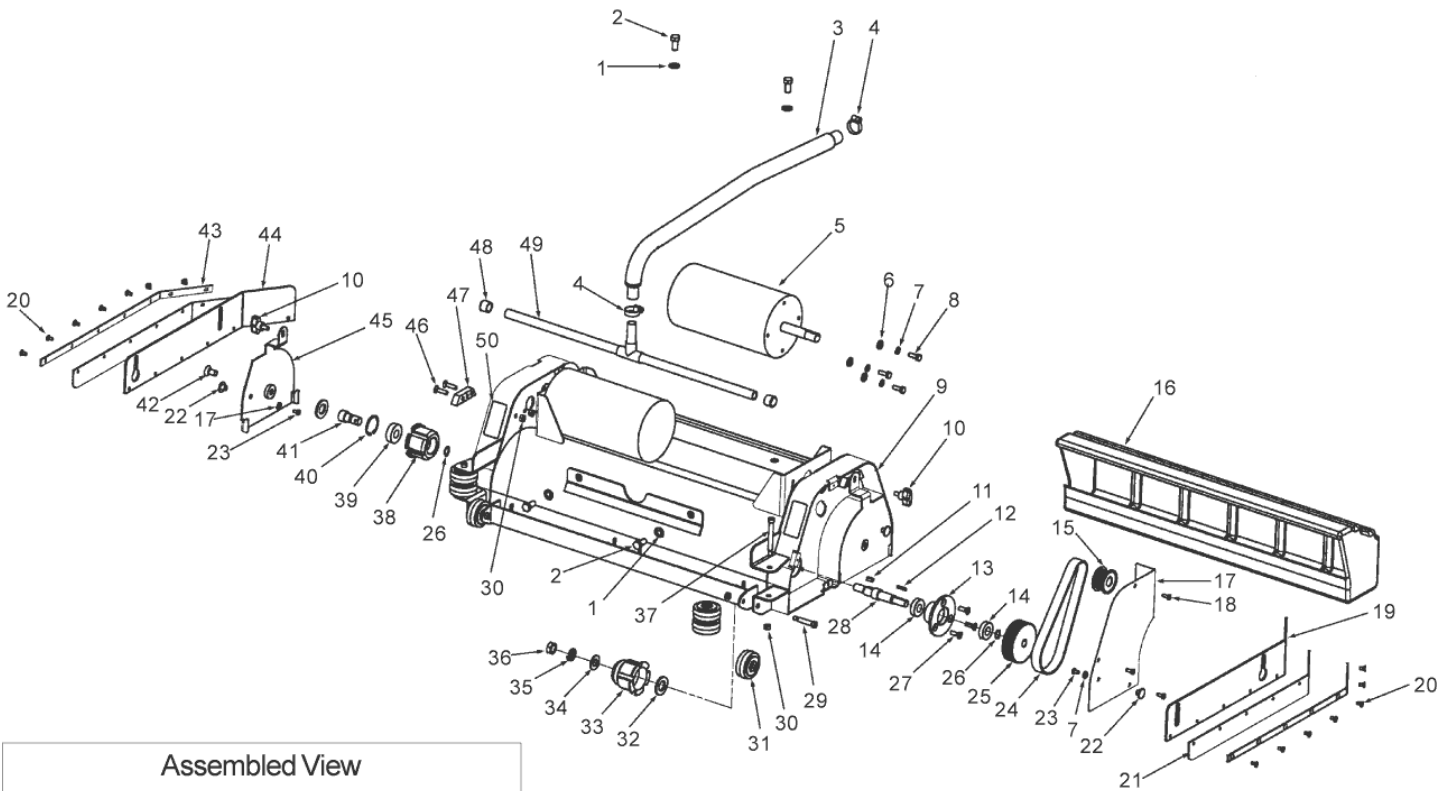
# Cylindrical head

SCRUBTEC R571, -C, 586, BOOST R - i drive

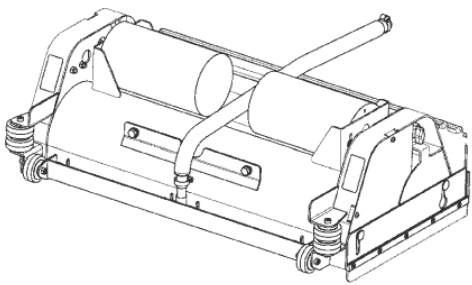
05-01-2011

ET-Liste-Nr.  
SCRUBTECR57122

29



Assembled View



# Cylindrical head

SCRUBTEC R571, -C, 586, BOOST R - i drive

05-01-2011

ET-Liste-Nr.  
SCRUBTECR57122

30

Pos	Artikelnr.	Me Beschreibung	EAN
1	980638	4 FEDERSCHEIBE 3/8"	5711143089
2	962244	4 SCREW,3/8-16 X 3/4 HX HD	5711143086
3	30649A	1 HOSE SOLUTION CYL	5711143013
4	50248A	2 CLAMP, 3/8 HOSE	5711143031
5	40772A	2 MOTOR BRUSH CYL.	5711143022
6	980646	6 WASHER 1/4 SAE FLAT PLTD	5711143089
7	980657	9 WASHER,LK 1/4 STD	5711143089
8	85806A	6 SCREW 1/4 20 X 3/4 HX SZ CAP	5711143081
9	61738A	1 HOUSING BRUSH CYL.	5711143059
10	52477A	2 FLÜGELSCHRAUBE	5711143039
11	80248A	2 KEY 3/16 SQUARE	5711143077
12	80247A	2 KEY 1/8 SQUARE	5711143077
13	61308A	2 CARRIER BEARING	5711143057
14	51226A	4 KUGELLAGER 6002	5711143036
15	61318A	2 PULLEY MOTOR	5711143057
16	30618A	1 TRAY DEBRIS CYL	5711143013
17	61743A	2 COVER BELT CYL	5711143060
18	84237A	6 SCREW, 10-32 X 1/2 PAN HD SS	5711143080
19	61752A	1 PLATE SKIRT LH	5711143060
20	80240A	14 SCREW FHMS 10 32 X 3/8 SS	5711143077
21	30312A	2 SKIRT, SIDE ENC 33HD	5711143011
22	61336A	4 SPACER SIDE SKIRT	5711143057
23	962094	3 SCR 1/4 20X 3/8 RD ST MACH	5711143086
24	53661A	2 ANTRIEBSRIEMEN	5711143045
25	61319A	2 PULLEY BRUSH DRIVE	5711143057
26	467308	4 SICHERUNGSRING	5711143028
27	962098	6 SCR 1/4 -20X 3/4 FL*ST	5711143086
28	61309A	2 SHAFT DRIVEN	5711143057
29	80270A	2 SCREW 5/16 X 1.25 SHOULDER	5711143077
30	81104A	8 NUT, 1/2-20, ESNA TYP SS	5711143078
31	30049B	6 ROLLE ACHS-Ø8 KU	5711143009
32	80257A	4 WASHER 3/4 ID NEOPRENE	5711143077
33	61293A	2 AUFNAHME WALZE	5711143057
34	980648	2 WASH-17/32 ID X 1&1/16 OD	5711143089
35	980626	2 1/2 LOCKWASHER LIGHT SERI ES	5711143089
36	170857	2 NUT 1/2-13 HEX	5711143007
37	60254A	2 SCHRAUBE M. ANSATZ 3/8 X 2-1/4	5711143055
38	61299A	2 AUFNAHME WALZE	5711143057
39	51225A	2 LAGER 6202 2RS	5711143036
40	167312	2 SICHERUNGSRING	5711143007
41	61310A	2 SHAFT DRIVEN	5711143057
42	962973	2 SCR 3/8 -16X 3/4 FL*ST	5711143087

# Cylindrical head

SCRUBTEC R571, -C, 586, BOOST R - i drive

05-01-2011

ET-Liste-Nr.  
SCRUBTECR57122

31

Pos	Artikelnr.	Me	Beschreibung	EAN
43	61335A	2	RETAINER SKIRT	5711143057
44	61751A	1	PLATE SKIRT RH	5711143060
45	61742A	1	DOOR BRUSH CYL	5711143060
46	962285	4	SCREW 1/4 20 X 1 FH NYLOCK PH	5711143086
47	61322A	2	PLATE BRUSH DOOR	5711143057
48	53182A	2	ENDKAPPE FÜR VERTEILER- ROHR "ENCORE 17"	5711143042
49	30648A	1	TUBE SOLUTION ASSY CYL	5711143013
50	71017A	1	LABEL MOVING PARTS	5711143071

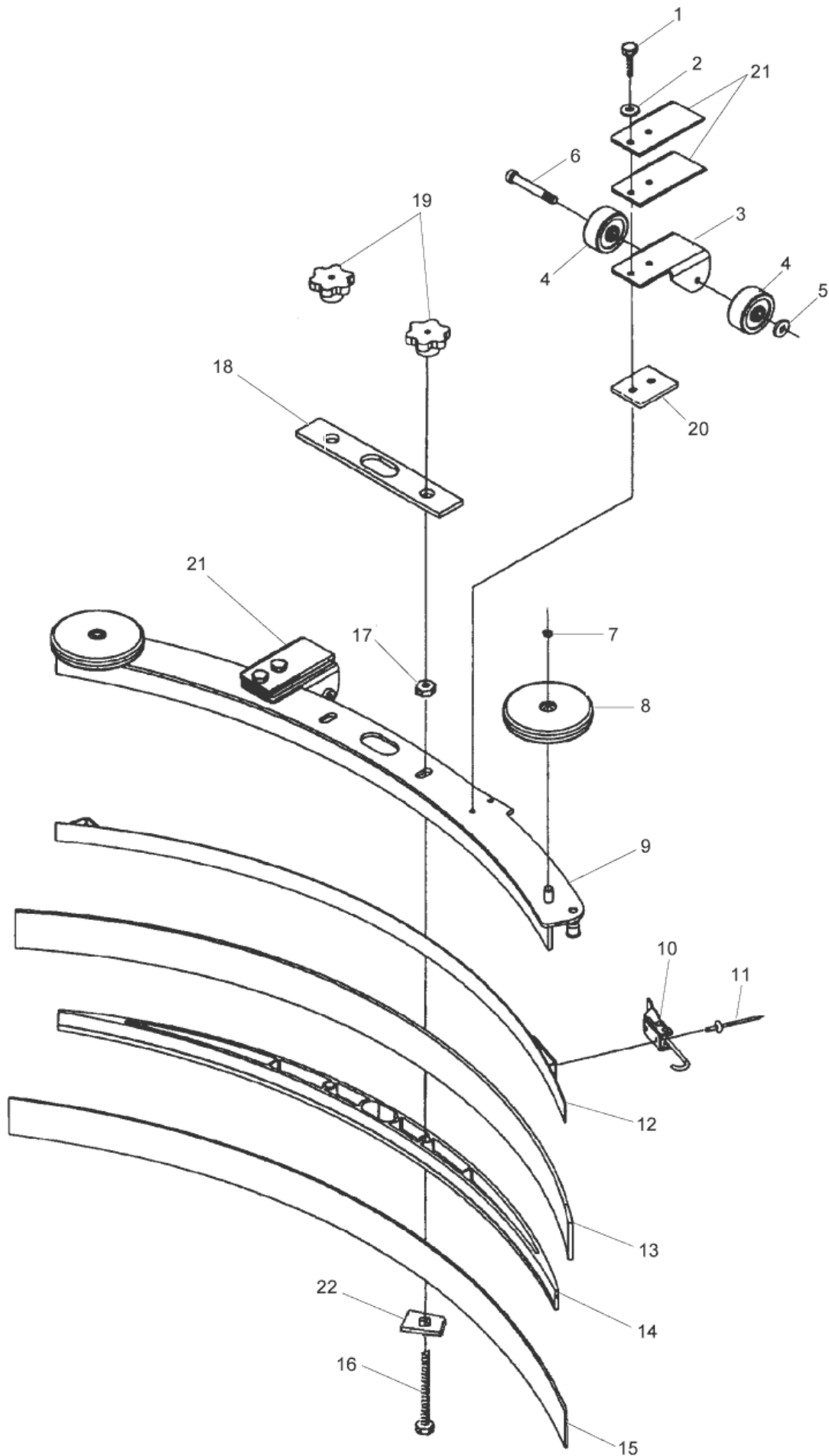
# Squeegee

SCRUBTEC R571, -C, 586, BOOST R - i drive

05-01-2011

ET-Liste-Nr.  
SCRUBTECR57124

32





# Squeegee

SCRUBTEC R571, -C, 586, BOOST R - i drive

05-01-2011

ET-Liste-Nr.  
SCRUBTECR57124

33

Pos	Artikelnr.	Me	Beschreibung	EAN
1	80253A	4	SECHSKANTSCHRAUBE 1/4-20 X 1.500 VA	5711143077
1	962720	1	SCHRAUBE 1/4-20 X 1/2	5711143087
2	980657	4	WASHER,LK 1/4 STD	5711143089
3	60243A	2	RAHMEN FÜR SAUGLEISTEN-VE RSTELLUNG	5711143054
4	30049B	4	ROLLE ACHS-Ø8 KU	5711143009
5	81104A	2	NUT, 1/2-20, ESNA TYP SS	5711143078
6	60254A	2	SCHRAUBE M. ANSATZ 3/8 X 2-1/4	5711143055
7	53185A	2	RING RETAINER 3/8 ID	5711143042
8	30048A	2	ROLLE Ø100 X Ø10-NABE SCHWARZ KU	5711143009
9	60234B	1	KANAL SAUGLEISTE 32"	5711143054
9	60272B	1	SAUGFUSSLEISTE ENCORE 39" (ERS. F. 60272A)	5711143055
9	61886A	1	SQUEEGEE WLDMT 41 BOOST RIDER	5711143061
10	50835A	1	VERSCHLUSSKLAMMER F.SAUGLEISTEN	5711143034
11	930086	2	RIVET 3/16X.450 LG	5711143085
12	60232A	1	CHANNEL, SQUEEGEE WELDMEN T 32"	5711143054
12	60252A	1	KLEMMBAND F.SAUGLEISTE "ENCORE S20/L20"	5711143055
12	61885A	1	STRAP 41 SQUEEGEE CLAMP	5711143061
13	30556A	1	SAUGLEISTE 32" GUMMI	5711143012
13	30556L	1	BLADE SQUEEGEE LINATEX 35.12	5711143012
13	30557A	1	SAUGLEISTE GUMMI	5711143012
13	30557L	1	BLADE SQ. LINATEX 43.50	5711143012
13	30717L1	1	BLADE, INNER NOTCHED 1/8"	5711143014
13	30774L	1	BLADE SQUEEGEE LINATEX BOOST RIDE	5711143014
14	30047A	1	DISTANZLEISTE FÜR SAUGLEISTE 32"	5711143009
14	30058A	1	DISTANZLEISTE F.SAUGLEISTE "ENCORE 2426"	5711143009
14	38726A	1	SPACER SQUEEGEE	5711143019
15	30066A	1	SAUGLEISTE STANDARD INNEN 32" "ENCORE"	5711143009
15	30091A	1	SAUGLEISTE 39" F. SAUGLEISTE GUMMI	5711143009
15	30764L1	1	BLADE INNER NOTCHED 1/8"	5711143014
15	30773L2	2	SAUGLEISTE	5711143014
16	80011A	2	SCR 3/8 -16X3 CR SS	5711143076
17	81301A	2	NUT, 3/8-16, JAM, SS	5711143078
18	34260B	1	DICHTUNG FLACH AN SAUGLEISTE"ENCORE2426	5711143016
19	25201B	2	KNOB SQUEEGEE T	5711143008
20	60358A	2	BREMSBELAG	5711143055
21	61370A	1	GEWICHT 0,5KG SAUGLEISTE "ENCORE S"	5711143057
22	80280A	2	NUT,SQUEEGEE BACKUP	5711143077

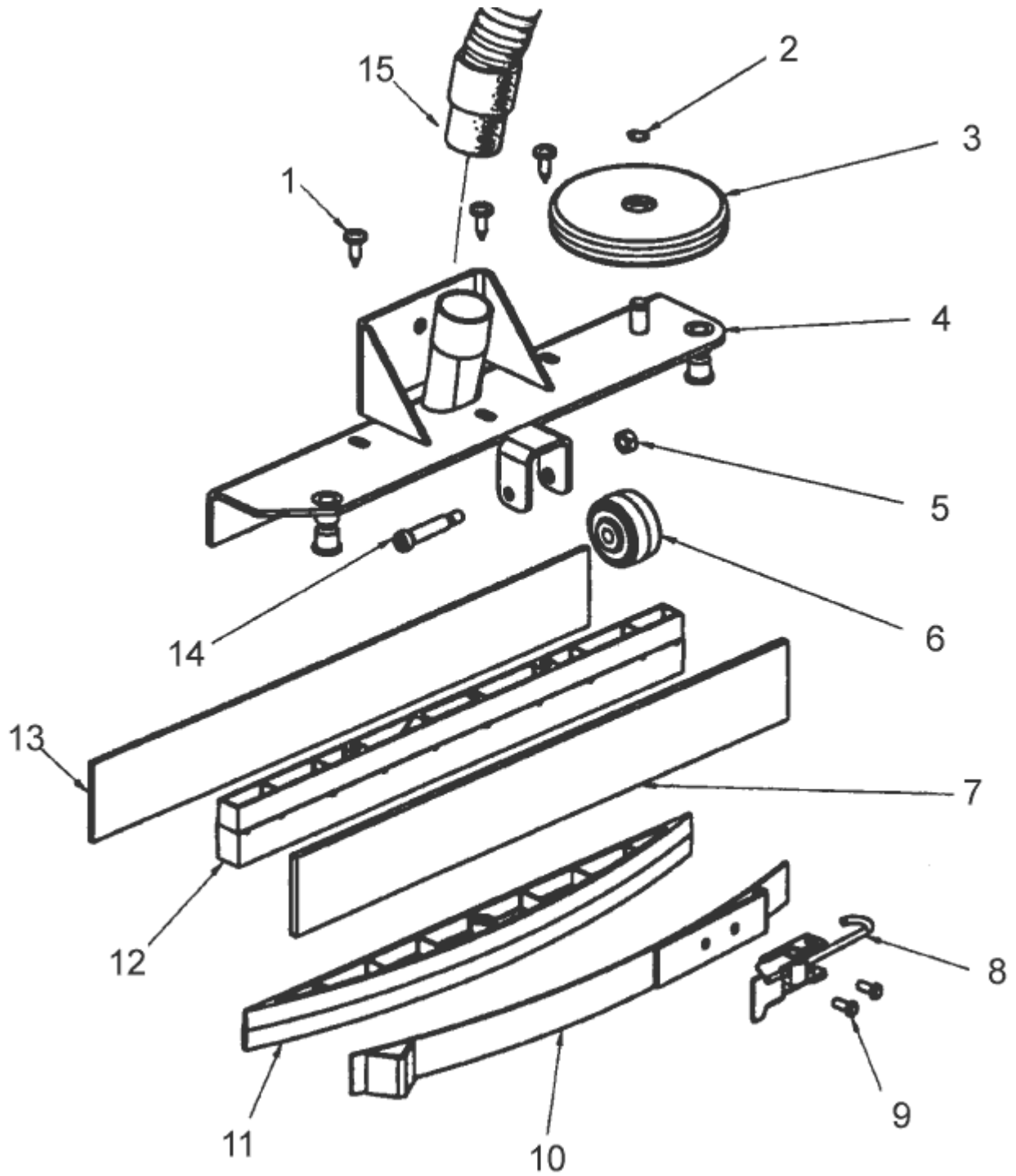
# Front squeegee

SCRUBTEC R571, -C, 586, BOOST R - i drive

05-01-2011

ET-Liste-Nr.  
SCRUBTECR57126

34



# Front squeegee

SCRUBTEC R571, -C, 586, BOOST R - i drive

05-01-2011

ET-Liste-Nr.  
SCRUBTECR57126

35

Pos	Artikelnr.	Me	Beschreibung	EAN
1	80275A	3	SCREW 1/4 X 3/4 TYPE AB PAN S	5711143077
2	53185A	1	RING RETAINER 3/8 ID	5711143042
3	30048A	1	ROLLE ›100 X ›10-NABE SCHWARZ KU	5711143009
4	61496A	1	WLDMT FRONT SQUEEGEE	5711143058
5	81104A	1	NUT, 1/2-20, ESNA TYP SS	5711143078
6	59932A	1	WHEEL,FRONT,2000 PV	5711143053
7	30540A	1	SAUGLIPPE 15,5" GUMMI	5711143012
8	50835A	1	VERSCHLUSSKLAMMER F.SAUGL IPPEN	5711143034
9	930086	2	RIVET 3/16X.450 LG	5711143085
10	61495A	1	CLAMP FRONT SQ BLADE	5711143058
11	53444A	1	WEDGE FRONT SQ	5711143043
12	53443A	1	SPACER FRONT SQ	5711143043
13	30541A	1	SAUGLIPPE 15,5" GERIPPT	5711143012
14	80270A	1	SCREW 5/16 X 1.25 SHOULDER	5711143077
15	30569A	1	SCHLAUCH 1-1/4 X 46"	5711143012

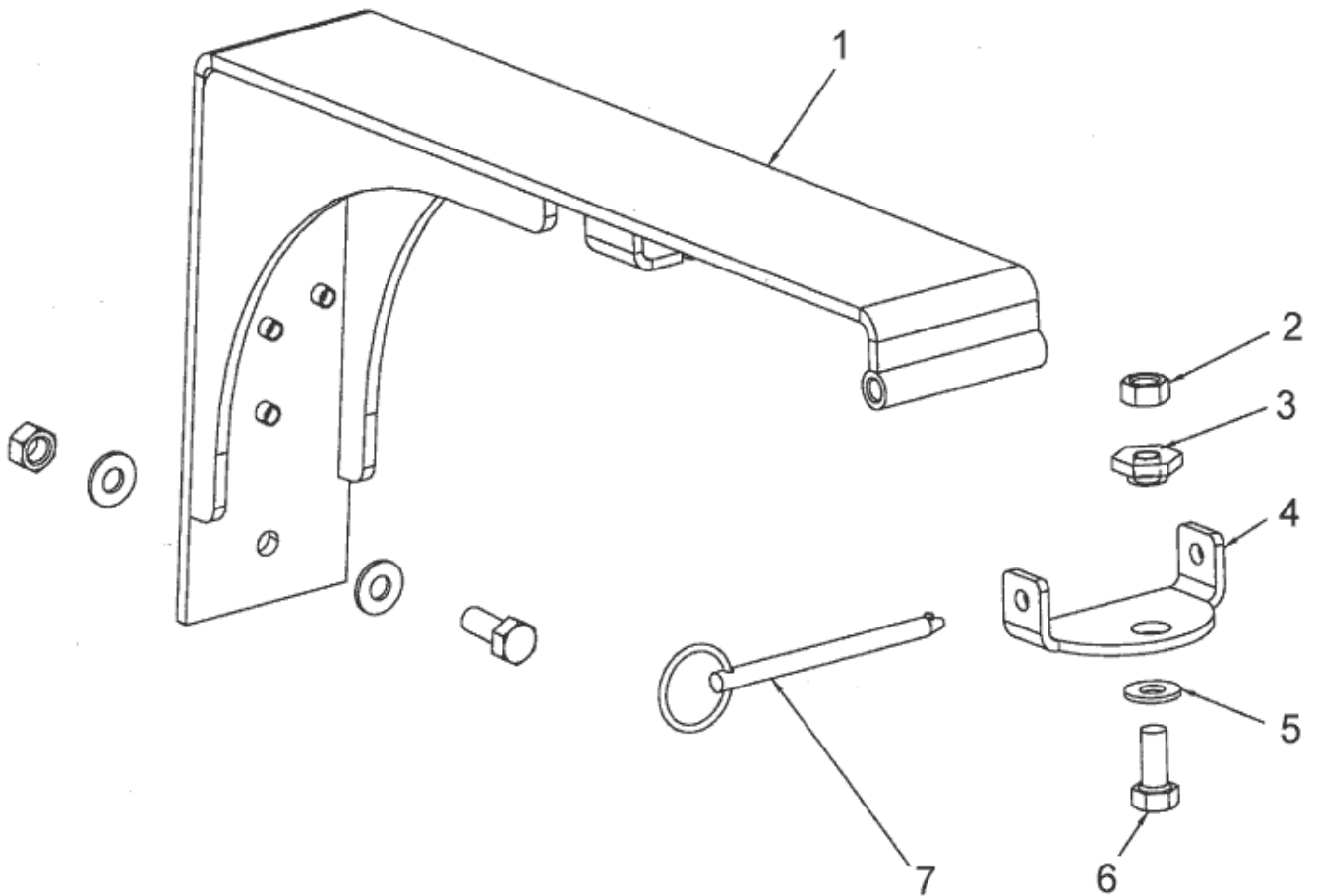
# Front squeegee arm

SCRUBTEC R571, -C, 586, BOOST R - i drive

05-01-2011

ET-Liste-Nr.  
SCRUBTECR57128

36



# Front squeegee arm

SCRUBTEC R571, -C, 586, BOOST R - i drive

05-01-2011

ET-Liste-Nr.  
SCRUBTECR57128

37

Pos	Artikelnr.	Me	Beschreibung	EAN
1	61548A	1	CONDARY SQUEEGEE	5711143058
2	81112A	2	NUT,5/16-18 THIN ESNA S,S ,	5711143078
3	67867A	1	SPACER,SQUEEGEE SWIVEL, 1	5711143067
4	60256A	1	BRACKET, PIVOT ENCORE 2426	5711143055
5	980651	3	WASHER, 5/16 SAE FLAT	5711143089
6	85811A	2	SHR 6KT- 5/16-18 3/4	5711143081
7	53491A	1	HALTESTIFT	5711143044
NI	61370A	1	GEWICHT 0,5KG SAUGLEISTE "ENCORE S"	5711143057
			NOT SUPPLIED WITH MACHINE.	

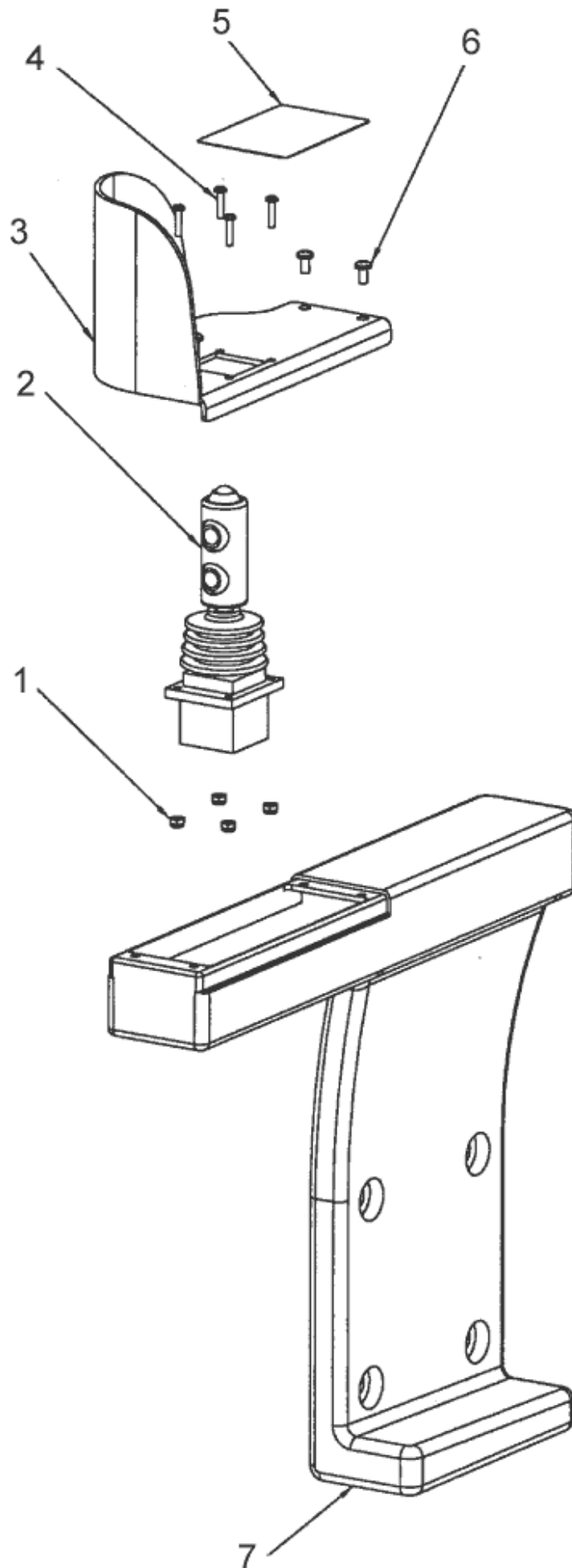
# Right arm control

SCRUBTEC R571, -C, 586, BOOST R - i drive

05-01-2011

ET-Liste-Nr.  
SCRUBTECR57130

38



# Right arm control

SCRUBTEC R571, -C, 586, BOOST R - i drive

05-01-2011

ET-Liste-Nr.  
SCRUBTECR57130

39

Pos	Artikelnr.	Me	Beschreibung	EAN
1	920056	4	MUTTER 6X32	5711143084
2	40875A	1	JOYSTICK	5711143023
3	61555A	1	PANEL JOYSTICK CONTROL	5711143058
4	962738	4	SCREW, 6-32 X 5/8 PAN HD,	5711143087
5	70807A	1	LABEL JOYSTICK PANEL	5711143071
6	85612A	4	SCHRAUBE 10-24X3/8	5711143081
7	30532A	1	ARMREST RH	5711143012

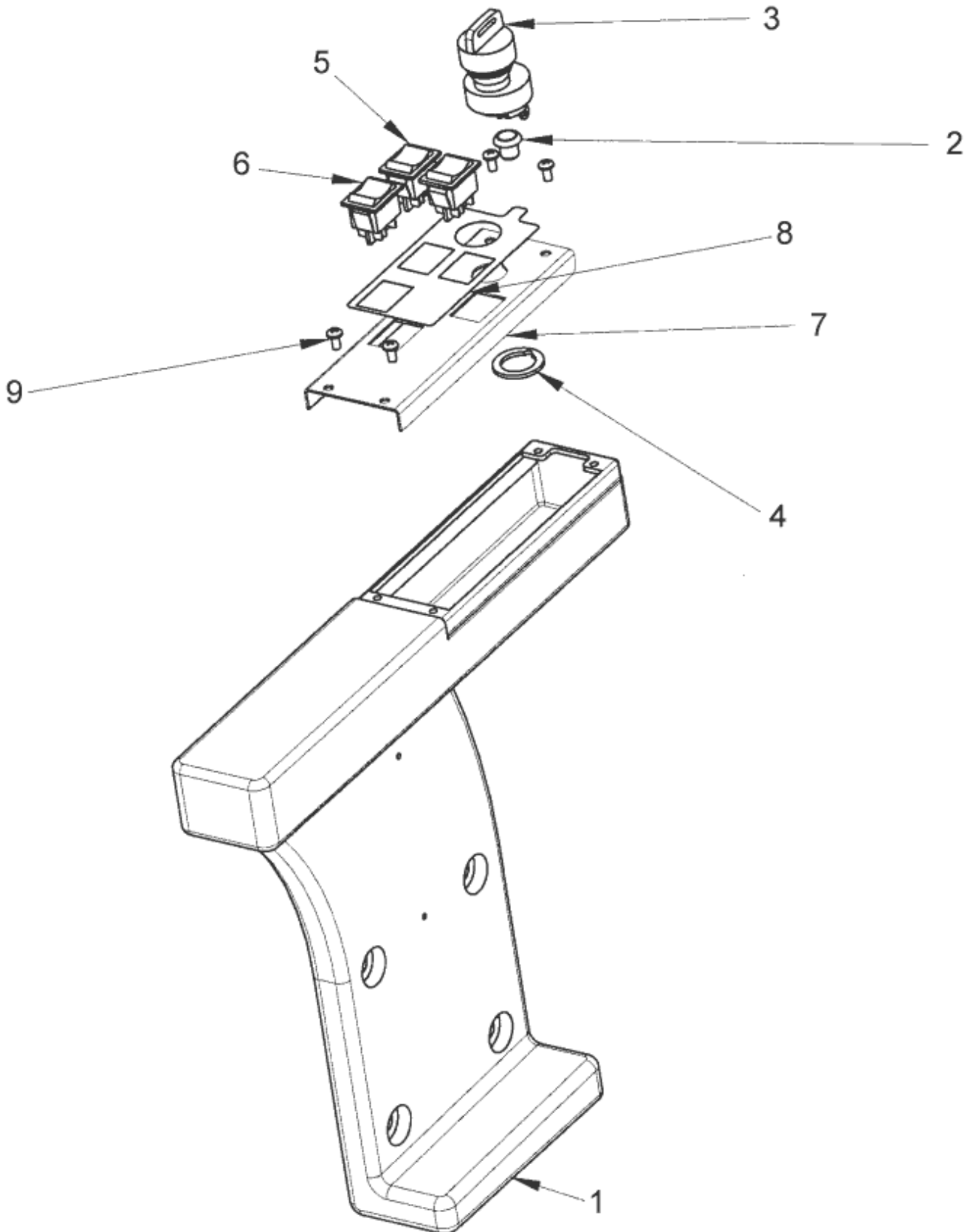
# Left arm control

SCRUBTEC R571, -C, 586, BOOST R - i drive

05-01-2011

ET-Liste-Nr.  
SCRUBTECR57132

40





# Left arm control

SCRUBTEC R571, -C, 586, BOOST R - i drive

05-01-2011

ET-Liste-Nr.  
SCRUBTECR57132

41

Pos	Artikelnr.	Me	Beschreibung	EAN
1	30533A	1	ARMREST LH	5711143012
2	40706A	1	DRUCKTASTER	5711143022
3	40786A	1	SCHLÜSSELSCHALTER	5711143023
4	40786S	1	SPACER KEY SWITCH FOCUS	5711143023
5	40885A	2	SWITCH MOMENTARY	5711143023
6	40890A	1	SWITCH ROCKER	5711143023
7	61754A	1	PANEL CE ARM REST CONTROL	5711143060
8	71029A	1	LABEL CE CONTROL PANEL	5711143071
9	85612A	4	SCHRAUBE 10-24X3/8	5711143081

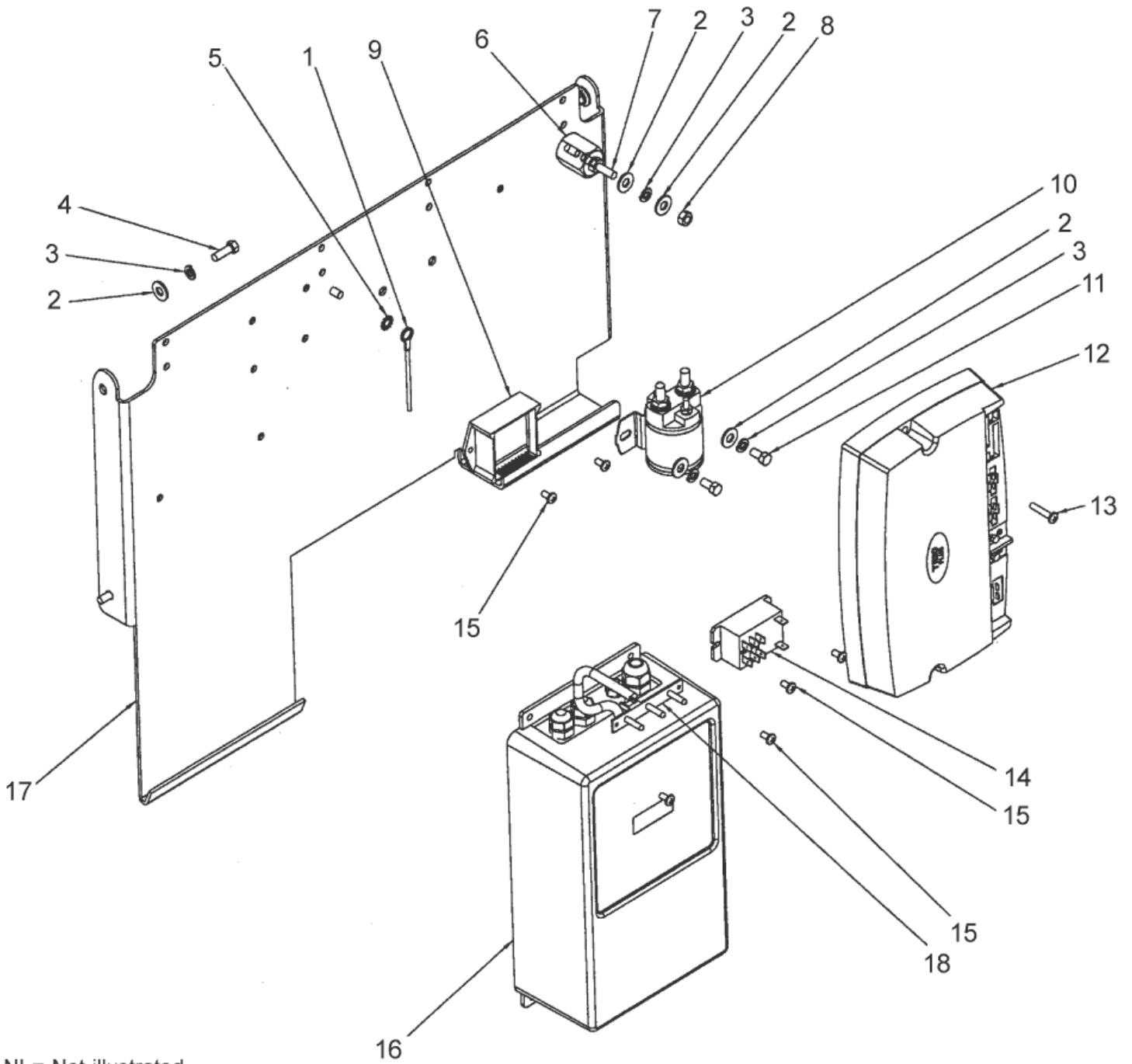
# Electrical panel

SCRUBTEC R571, -C, 586, BOOST R - i drive

05-01-2011

ET-Liste-Nr.  
SCRUBTECR57134

42



NI = Not illustrated

# Electrical panel

SCRUBTEC R571, -C, 586, BOOST R - i drive

05-01-2011

ET-Liste-Nr.  
SCRUBTECR57134

43

Pos	Artikelnr.	Me	Beschreibung	EAN
1	40785A	1	HARNESS MAIN POWER CYL	5711143023
1	40872C	1	HARNESS MAIN POWER RIDER I - drive	5711143023
2	87026A	8	SCHEIBE .250 VA	5711143081
3	980657	7	WASHER,LK 1/4 STD	5711143089
4	962086	4	SCR 1/4 20X 3/4 HX ST CAP	5711143086
5	980614	1	U-SCHEIBE	5711143089
6	854849	1	INSULATOR RO-42/32IX/26IX	5711143080
7	83302A	1	STUD 1/4-20	5711143079
8	81104A	1	NUT, 1/2-20, ESNA TYP SS	5711143078
9	40891A	1	MODULE SPEED INTERFACE	5711143023
10	41801A	1	CONTACTOR 36V	5711143025
11	962430	2	SCR 1/4 20X 1/2 HX ST MACH	5711143086
12	40769A	1	STEUERUNG R 586	5711143022
12	40769C	1	CONTROLLER TRIO 34" MAIN R 586	5711143022
12	40878A	1	TRIO CONTROLLER R 571	5711143023
12	40878C	1	CONTROLLER TRIO 28 MAIN R 571	5711143023
12	40937A	1	CONTROLLER TRIO 32 MAIN R81	5711143024
13	962113	1	SCR 10 32X1 RD ST MACH	5711143086
14	40892A	1	RELAY DPDT	5711143023
15	962929	6	SCREW 10 32X 3/8 BD SS PH	5711143087
16	40797A	1	CHARGER 36V CE 230V 50/6	5711143023
17	61558A	1	PANEL ELECTRICAL	5711143058
18	40728A	1	CHARGER ON-BOARD SPE	5711143022
NI	40873B	1	HARNESS LOGIC WOPT	5711143023
NI	40882A	1	CABLE 200 AMP FUSIBLE	5711143023
NI	40895A	1	CABLE 24 POS BATTERY	5711143023
NI	40896A	1	CABLE 32 NEG BATTERY	5711143023
NI	41217A	1	CABLE,BATTERY (KIT #14662 B)	5711143025
NI	70794A	1	LABEL BATTERY CONNECTION	5711143071
NI	71015A	1	LABEL GASES & CHEMICALS	5711143071



# Vac motor

SCRUBTEC R571, -C, 586, BOOST R - i drive

05-01-2011

ET-Liste-Nr.  
SCRUBTECR57136

45

Pos	Artikelnr.	Me	Beschreibung	EAN
1	51913A	2	CLIP	5711143038
2	54809A	1	HOUSING	5711143047
3	53905A	1	FAN VENT 685202 4	5711143046
4	85303A	4	SCREW 8 32 X 3/8 PN ST PH	5711143080
5	40830A	2	KOHLBUERSTE GRUENES GEHAEUSE	5711143023
6	51914A	2	CLAMP	5711143038
7	50618A	1	BRACKET-END COMM.	5711143033
8	53100A	1	DISC	5711143042
9	902679	1	BEARING-BALL	5711143083
10	902648	1	BRG-BALL,RADIAL,DBL SEAL	5711143083
11	59803A	1	WASHER-NEOPRENE (685202-4 )	5711143053
12	50610A	1	BRACKET-END, FAN (FOR 835 204 V	5711143033
13	58501A	1	SPACER	5711143052
14	53914A	3	FAN	5711143046
15	658201	2	SPACER	5711143063
16	53908A	1	FAN STATIONARY	5711143046
17	658506	1	SHELL-FAN	5711143063
18	53995A	1	FAN, AIR SEAL	
19	53996A	1	FAN STATIONARY	5711143046

# Zubehör

SCRUBTEC R571, -C, 586, BOOST R - i drive

05-01-2011

ET-Liste-Nr.  
SCRUBTECR57138

46

Keine Zeichnung zur ET-Liste

# Zubehör

05-01-2011

SCRUBTEC R571, -C, 586, BOOST R - i drive

ET-Liste-Nr.  
SCRUBTECR57138

47

Pos	Artikelnr.	Me	Beschreibung	EAN
	10383A	1	BÜRSTE 14" LITE GRIT	5711143002
	10384A	1	BÜRSTE 17" LITE GRIT	5711143002
	10874A	1	BÜRSTE D28" NYLON	5711143004
	10875A	1	BÜRSTE D17" NYLON	5711143004
	10877A	1	WARNLEUCHTE KPL. SET	5711143004
	10878A	1	FAHRERSITZ KPL.DELUXE SET	5711143004
	10879A	1	SCHWEINWERFER KPL. SET	5711143004
	10880A	1	ESP KIT EXTENDED SCRUB	5711143004
	10881A	1	SAUGSET KOMPLETT	5711143004
	11424B	1	BÜRSTE, SCHRUBB- 17" STANDARD ENCORE	5711143004
	11425B	1	BÜRSTE, SCHLEIFKORN 17" SUPERGRIT	5711143004
	11426B	1	BÜRSTE, SCHLEIFKORN 14" SUPERGRIT	5711143004
	11427B	1	BÜRSTE, SCHRUBB- 14" STANDARD ENCORE	5711143004
	11430B	1	BÜRSTE, SCHLEIFKORN- 17" ENCORE	5711143005
	11431B	1	BÜRSTE, SCHLEIFKORN- 14" ENCORE	5711143005
	17520C	1	ERS. M. 38034A TREIBTELLER 17" - ENCORE	5711143007
	30066A	1	SAUGLIPPE STANDARD INNEN 32" "ENCORE"	5711143009
	30067L	1	SAUGLIPPE ÖLBESTÄNDIG 32" AUSSEN GERIPPT LINATEX	5711143009
	30069L	1	SAUGLIPPE ÖLBESTÄNDIG 39" AUSSEN GERIPPT LINATEX	5711143009
	30091A	1	SAUGLIPPE 39" F. SAUG LEISTE GUMMI	5711143009
	303000382	1	BÜRSTE 14" D370 SCHRUBB 5	4005337065
	303000384	1	BÜRSTE 17" D430 SCHRUBB 5	4005337065
	30540A	1	SAUGLIPPE 15,5" GUMMI	5711143012
	30540L	1	SAUGLIPPE AUSSEN LINATEX	5711143012
	30541A	1	SAUGLIPPE 15,5" GERIPPT	5711143012
	30556A	1	SAUGLIPPE 32" GUMMI	5711143012
	30557A	1	SAUGLIPPE GUMMI	5711143012
	30614A	1	WALZENBÜRSTE	5711143013
	30615A	1	WALZENBÜRSTE NYLON	5711143013
	30616A	1	WALZENBÜRSTE CLEAN GRIT	5711143013
	30617A	1	WALZENBÜRSTE SUPER GRIT	5711143013
	38036A	1	TREIBTELLER 14"	5711143095
	53572A	1	SICHERHEITSGURT FEST (SITZGURT)	5711143044
	56941A	1	HALTER FÜR PAD "ENCORE"	5711143050
	976037	1	PADS 14" (D356) 51 WEISS VPE 5 STCK	5711143088
	976038	1	PADS 14" (D356) 51 ROT VPE 5 STCK	5711143088
	976039	1	PADS 14" (D356) 51 BLAU VPE 5 STCK	5711143088
	976040	1	PADS 14" (D356) 51 BRAUN VPE 5 STCK	5711143088
	976052	1	PADS 17" (D430) 51 WEISS VPE 5 STCK	5715492036
	976053	1	PADS 17" (D430) 51 ROT VPE 5 STCK	5715492036
	976054	1	PADS 17" (D430) 51 BLAU VPE 5 STCK	5715492036
	976055	1	PADS 17" (D430) 51 BRAUN VPE 5 STCK	5715492036

# Zubehör

SCRUBTEC R571, -C, 586, BOOST R - i drive

05-01-2011

ET-Liste-Nr.  
SCRUBTECR57138

48

Pos	Artikelnr.	Me	Beschreibung	EAN
	976146	1	PADS 14" (D356) SCHWARZ DICK VPE 5 STCK	5711143088
	976158	1	PADS 17" (D430) SCHWARZ DICK VPE 5 STCK	5715492036



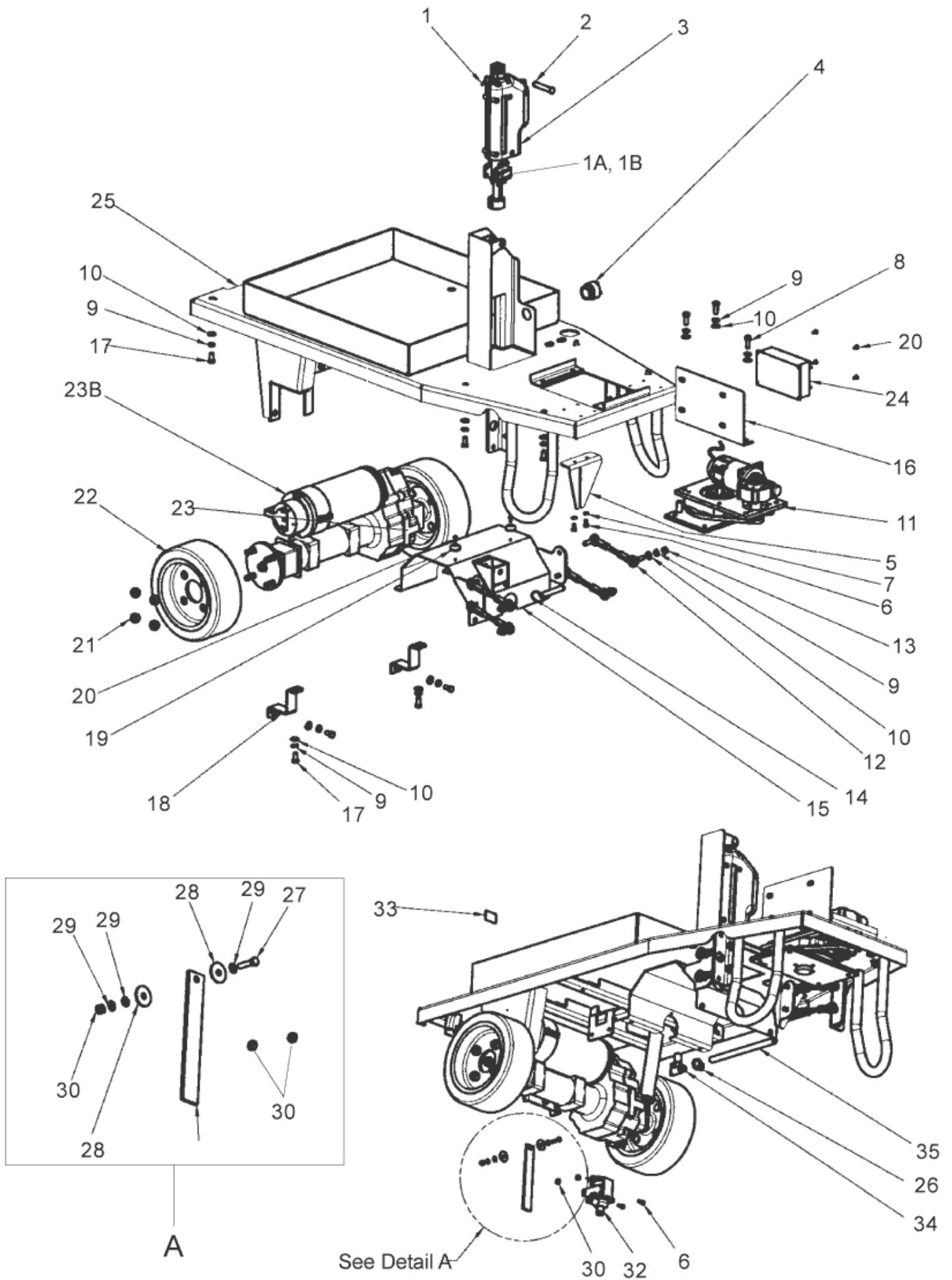
# Main frame assembly

SCRUBTEC R571, -C, 586, BOOST R - i drive

05-01-2011

ET-Liste-Nr.  
SCRUBTECR57140

49



# Main frame aseembly

SCRUBTEC R571, -C, 586, BOOST R - i drive

05-01-2011

ET-Liste-Nr.  
SCRUBTECR57140

50

Pos	Artikelnr.	Me	Beschreibung	EAN
1	766780	1	PIN-HANDLE LOCK	5711143073
2	82501A	1	PIN,CLEVIS,3200 STD SII	5711143078
3	40771A	1	STELLANTRIEB	5711143022
4	40836A	1	HORN CE REVERSE ALARM	5711143023
5	61736A	1	BRACKET HEAD STOP	5711143059
6	85737A	4	SCREW 1/4-20 X 5/8 HEX HD	5711143081
7	980657	2	WASHER,LK 1/4 STD	5711143089
8	962288	3	SCREW 3/8 16 X 1.0 HX ST CAP	5711143086
9	170883	17	WASHER LK 3/8 REGPLTD	5711143007
10	980645	17	SCHEIBE 3/8"	5711143089
11	53436A	1	STEERING ASM POWER	5711143043
12	61473A	4	ROD END ASSEMBLY 3/8	5711143058
13	920204	8	NUT 3/8 24 HEX JAM	5711143084
14	53493A	1	PIN, COTTERLESS 2-1/2"	5711143044
15	61718A	1	CARRIAGE BRUSH LIFT CYL.	5711143059
16	61696A	1	BRACKET STEERING CONTROLLER	5711143059
17	962244	10	SCREW,3/8-16 X 3/4 HX HD	5711143086
18	61475A	2	BRACKET TRANSAXLE MOUNT	5711143058
19	51609A	2	BUMPER REAR	5711143037
1A	40910A	1	PLATINE MIT POTENZIOMETER SCRUBTEC R	5711143023
1B	40866A	1	GEHÄUSE POTENTIOMETER	5711143023
20	962929	6	SCREW 10 32X 3/8 BD SS PH	5711143087
21	81221A	8	NUT, LUG ,500-20 HX ZC	5711143078
22	61382A	2	RAD 10"	5711143057
23	40837B	1	GETRIEBEMOTOR 36V	5711143096
24	53499A	1	STEUERUNG FAHRANTRIEB	5711143044
25	61719A	1	FRAME RIDER CYL. WELDMENT	5711143059
26	50248A	1	CLAMP, 3/8 HOSE	5711143031
27	85700A	1	SCR 1/4 -20X1 HX ST CAP	5711143081
28	980205	2	SCHEIBE	5711143089
29	980614	3	U-SCHEIBE	5711143089
30	81104A	3	NUT, 1/2-20, ESNA TYP SS	5711143078
31	69639A	1	STATIC STRAP (FUSION)	5711143068
32	48703A	1	SOLUTION VALVE	5711143029
33	413754	1	GRIP SOLUTION TANK CLAMP	5711143025
34	59614A	1	VALVE,BATTERY DRAIN(ENCOR E 33)	5711143053
35	30453A	1	HOSE,CLEAR VINYL (ENCORE)	5711143012
23B	40798A	1	BREMSE FÜR ANTRIEBSACHSE	5711143023

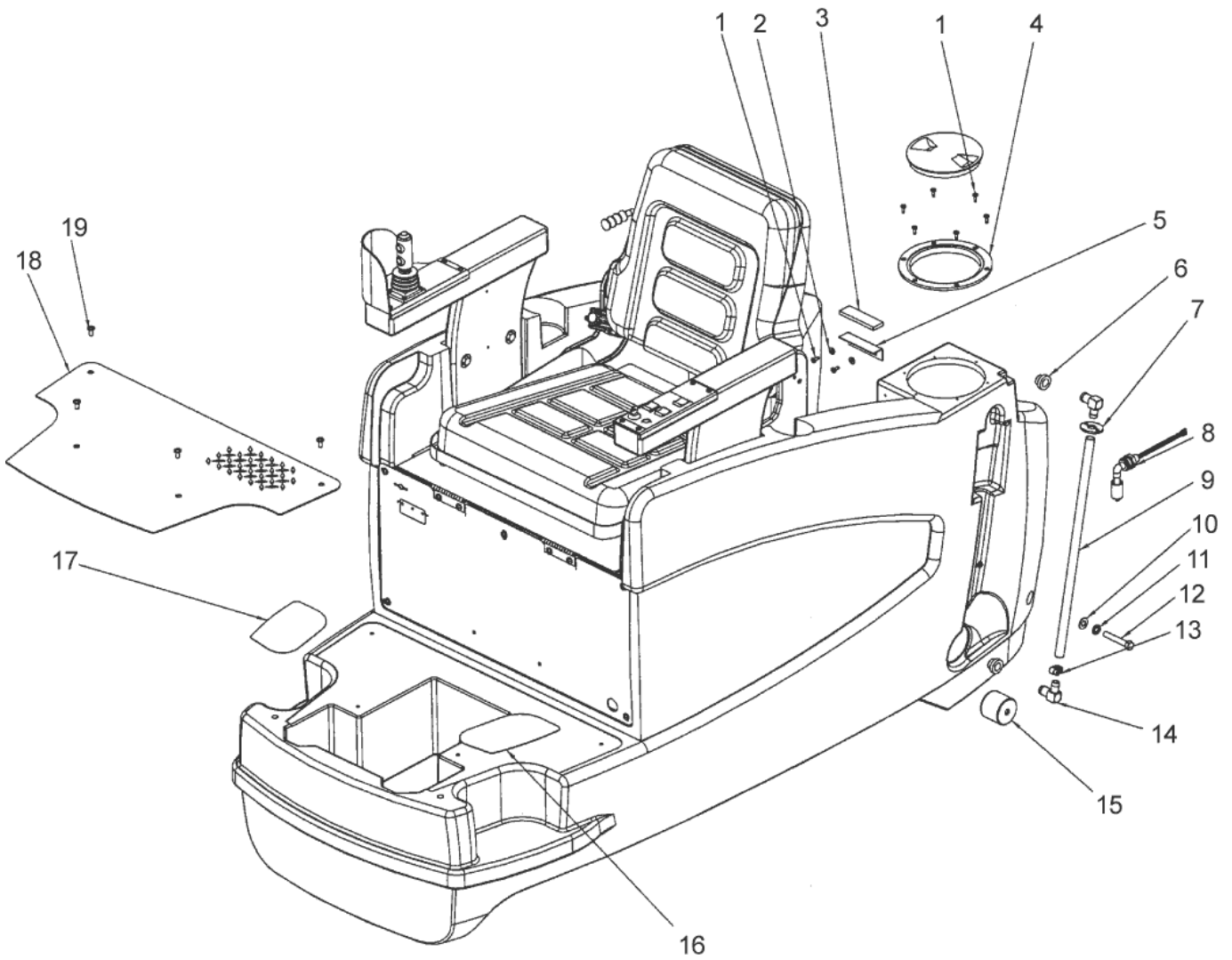
# Solution tank assembly

SCRUBTEC R571, -C, 586, BOOST R - i drive

05-01-2011

ET-Liste-Nr.  
SCRUBTECR57142

51



# Solution tank assembly

SCRUBTEC R571, -C, 586, BOOST R - i drive

05-01-2011

ET-Liste-Nr.  
SCRUBTECR57142

52

Pos	Artikelnr.	Me	Beschreibung	EAN
1	962957	8	SCR 10-16X 1/2 PN*ST HI	5711143087
2	87036A	2	WASHER, FLAT, #10 S.S.	5711143081
3	30578A	1	GASKET TANK FILL BRKT	5711143013
4	30539B	1	DECKEL RUND REINIGUNGSMITTEL TANK	5711143012
5	61574A	1	BRACKET TANK FILL	5711143059
6	31242A	2	BUSHING ( FOR .62 OD CONNECTOR)	5711143015
7	61563A	1	WASHER SIGHT TUBE	5711143059
8	40876A	1	SENSOR LIQUID LEVEL	5711143023
9	30564B	1	HOSE SOL MARKED LEVEL	5711143012
10	980645	10	SCHEIBE 3/8"	5711143089
11	170883	10	WASHER LK 3/8 REGPLTD	5711143007
12	85704A	2	SCR 3/8-16X2&1/4 HX ST	5711143081
13	722030	1	CLAMP, HOSE #6	5711143072
14	30883A	2	CONNECTOR ELBOW	5711143108
15	61561A	2	PIVOT RECOVERY TANK	5711143059
16	30597A	1	PAD SOLUTION TANK STEP LT	5711143013
17	30596A	1	PAD SOLUTION TANK STEP RT	5711143013
18	61557A	1	PLATE FLOOR	5711143058
19	85398A	4	SCREW 1/4-20 X 1/2 PAN HD	5711143080

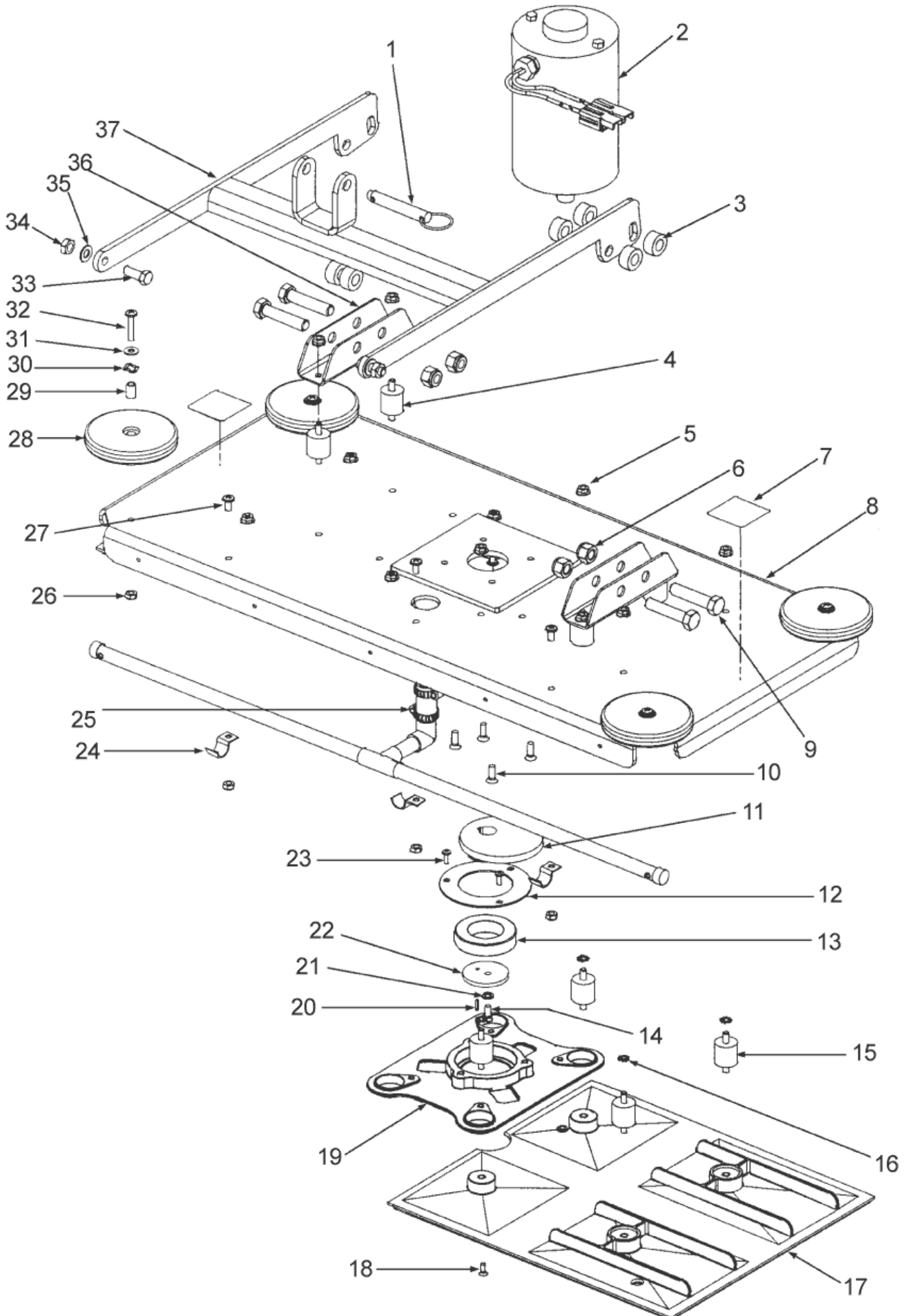
# Boost R- Antriebsset

SCRUBTEC R571, -C, 586, BOOST R - i drive

05-01-2011

ET-Liste-Nr.  
SCRUBTECR57144

53



# Boost R- Antriebsset

SCRUBTEC R571, -C, 586, BOOST R - i drive

05-01-2011

ET-Liste-Nr.  
SCRUBTECR57144

54

Pos	Artikelnr.	Me	Beschreibung	EAN
1	53493A	1	PIN, COTTERLESS 2-1/2"	5711143044
2	56380247	1	MOTOR 24VDC	5711144155
3	30735A	8	SPACER LIFT BRACKET	5711143014
4	11173A	4	ISOLATOR UPPER KIT	4 pcs. 5711143004
5	81220A	12	NUTHEX SERRATED FLANGE 1/4 20	5711143078
6	920365	4	NUT, LK 1/2-13 REG (PLTD)	5711143084
7	71192A	2	LABEL NO STEP	5711143072
8	61730C	1	PLATE UPPER 32	5711143099
9	80330A	4	SCREW 1/2 13 X 2 1/14	5711143077
10	962098	4	SCR 1/4 -20X 3/4 FL*ST	5711143086
11	61753A	1	ECCENTRIC	5711143060
12	61775A	1	RETAINER BEARING	5711143060
13	50736A	1	BEARING BALL OBS-18 6008	5711143033
14	85737A	1	SCREW 1/4-20 X 5/8 HEX HD	5711143081
15	11063B	8	ISOLATOR BOOST LOWER KIT	8 pcs. 5711143103
16	980614	8	U-SCHEIBE	5711143089
17	30664A	2	PLATE 32" FLEX	5711143013
18	84236B	4	SCREW 10-32 X 1/2 FLAT HD	5711143108
19	30663A	1	HALTEPLATTE FÜR TREIBTELLER	5711143013
20	925589	1	PIN ROLL 1/8 X 1/2	5711143085
21	980657	1	WASHER, LK 1/4 STD	5711143089
22	61724A	1	RETAINER ECCENTRIC	5711143059
23	84237A	3	SCREW, 10-32 X 1/2 PAN HD SS	5711143080
24	782002	3	CLAMP-MANIFOLD RM-10	5711143074
25	11002A	1	TUBE ASM. 32 DRIP	5711143004
26	81217A	5	NUT, 1/4-20 X .218H NYLOC K	5711143078
27	85395A	3	SCHRAUBE FLACHKOPF 1/4-20 X 1/2	5711143080
28	30048A	4	ROLLE 100 X 10-NABE SCHWARZ KU	5711143009
29	61782A	4	SLEEVE GUIDE WHEEL	5711143060
30	980022	4	WASHER WAVE	5711143089
31	980646	4	WASHER 1/4 SAE FLAT PLTD	5711143089
32	85301A	4	SCR 1/4 -20X1&1/4 PN*SS MACH	5711143080
33	962288	2	SCREW 3/8 16 X 1.0 HX ST CAP	5711143086
34	81105A	2	NUT, 3/8-16, ESNA TYPE SS	5711143078
35	87618A	2	WASHER, FLT, .75X.39X.62 NY LON	5711143082
36	61816A	2	BRACKET LIFT	
37	61818A	1	ARM HEAD LIFT	5711143060