

SOLAR BOOSTER G, GH From 2009

Model:
SOLAR BOOSTER 5-45G
SOLAR BOOSTER 7-52GH
SOLAR BOOSTER 7-58G



Stückliste Deutsch

25-01-2011

Nilfisk
ALTO
Why Compromise

www.nilfisk-alto.com

Inhalt

SOLAR BOOSTER G, GH From 2009

Übersicht 1 G und GH	3
Übersicht 2 G	5
Übersicht 2 GH	7
Schwimmerkasten D und G	9
Elektronik	11
Motor-Pumpeneinheit 5 (a)	13
Motor-Pumpeneinheit 5 (b)	15
Motor-Pumpeneinheit 5 (c)	17
Motor-Pumpeneinheit 7 (a)	19
Motor-Pumpeneinheit 7 (b)	21
Motor-Pumpeneinheit 7 (c)	23
Motor-Pumpeneinheit 7 (d)	25
Motor-Pumpeneinheit 7 (e)	27
Gebläse G	29
Brenner G	31
Verteiler G5	33
Verteiler G7	35
Heiztank GH	37
Gasbrenner -GH	39
Maschinenverbindung MMO	41
1 X Reinigungsmittel automatisch	43
2 X Reinigungsmittel automatisch	45
1 X Reinigungsmittel manuell -5 und 7-	47
Water lock G	49
Frischlufzuführung - SOLAR BOOSTER GAS	51

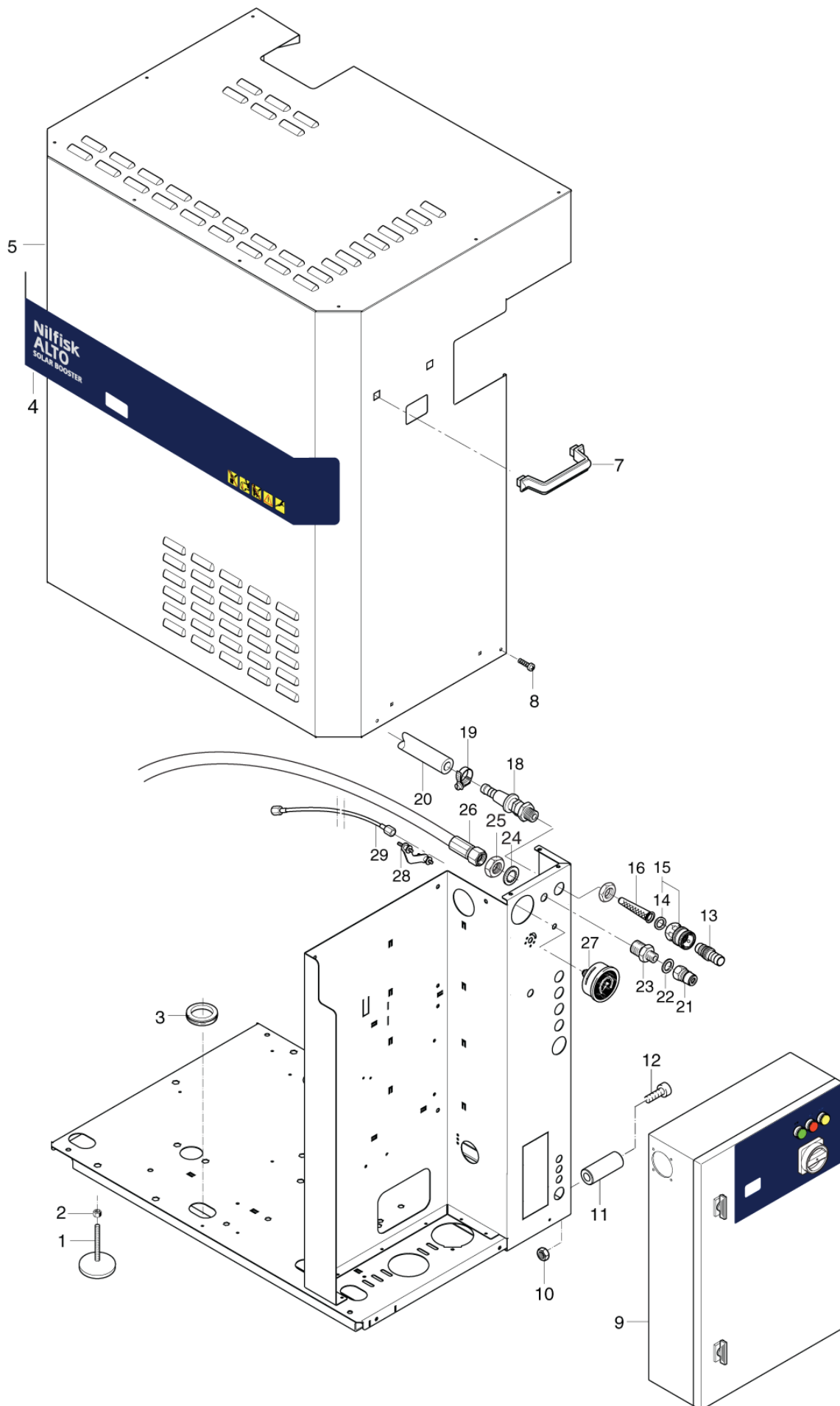
Übersicht 1 G und GH

SOLAR BOOSTER G, GH From 2009

25-01-2011

ET-Liste-Nr.
SOLARG02

3



Übersicht 1 G und GH

SOLAR BOOSTER G, GH From 2009

25-01-2011

ET-Liste-Nr.
SOLARG02

4

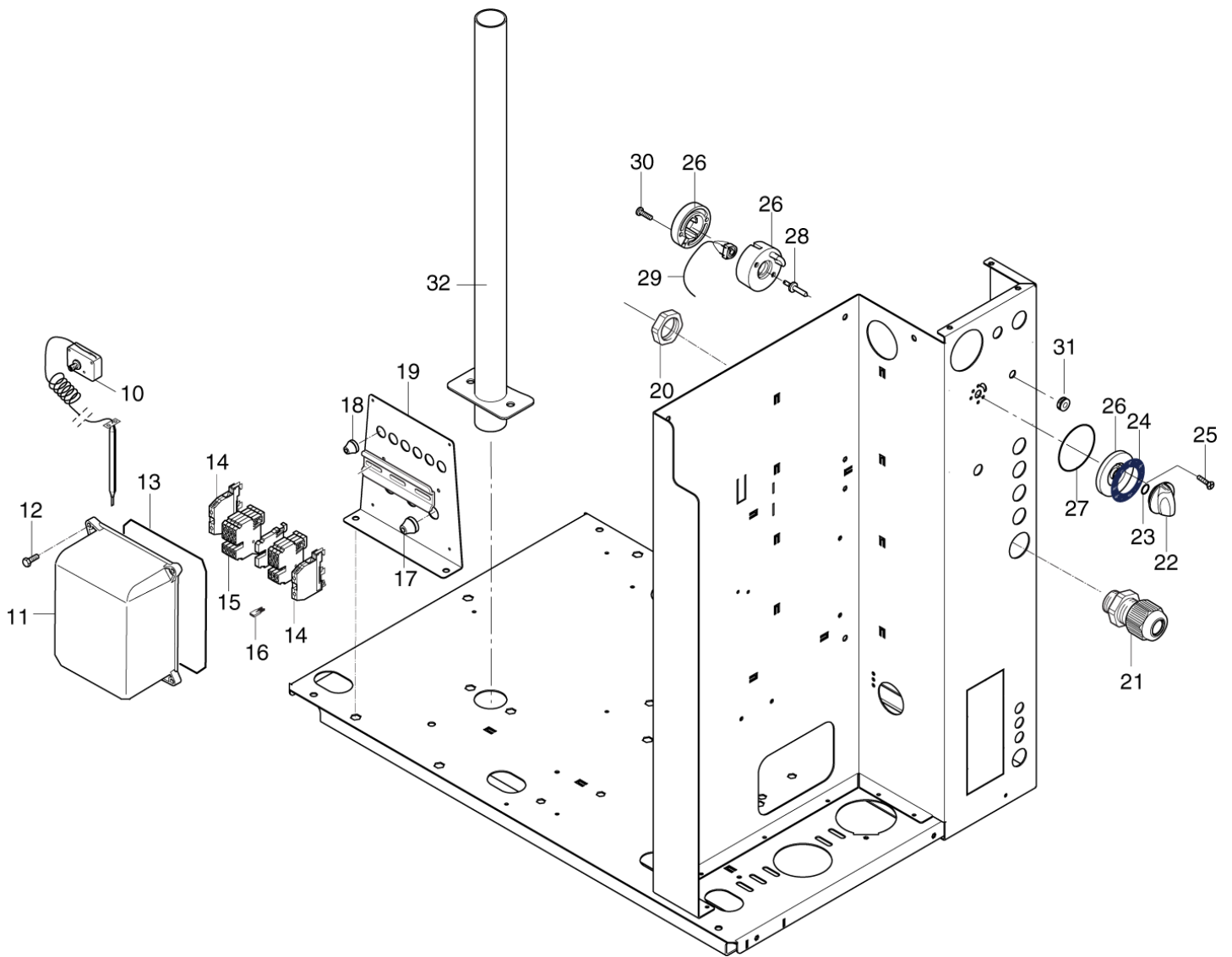
Übersicht 2 G

SOLAR BOOSTER G, GH From 2009

25-01-2011

ET-Liste-Nr.
SOLARG04

5



Übersicht 2 G

SOLAR BOOSTER G, GH From 2009

25-01-2011

ET-Liste-Nr.
SOLARG04

6

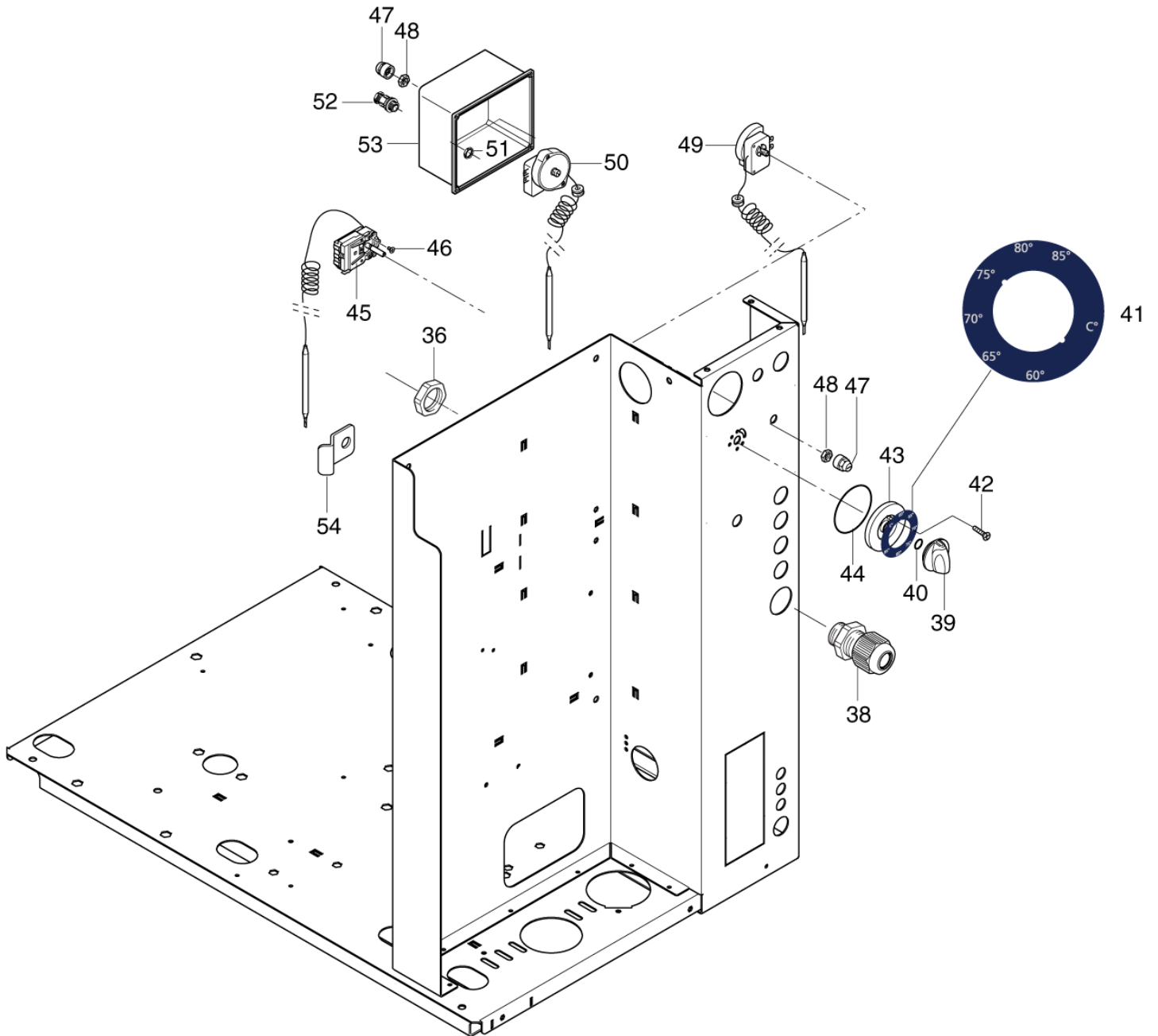
Übersicht 2 GH

SOLAR BOOSTER G, GH From 2009

25-01-2011

ET-Liste-Nr.
SOLARG06

7



Übersicht 2 GH

SOLAR BOOSTER G, GH From 2009

25-01-2011

ET-Liste-Nr.
SOLARG06

8

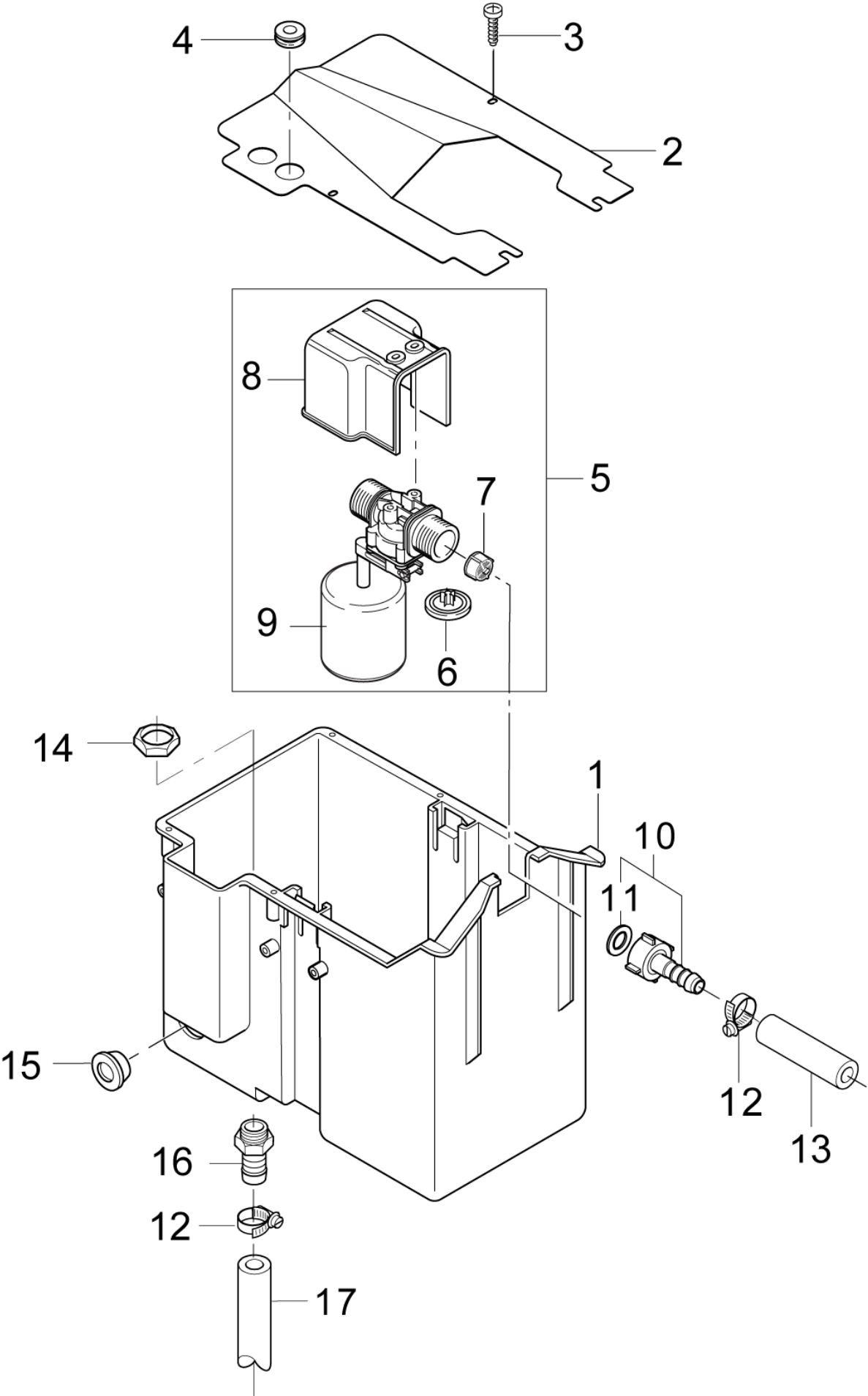
Schwimmerkasten D und G

SOLAR BOOSTER G, GH From 2009

25-01-2011

ET-Liste-Nr. SOLAD08

9



Schwimmerkasten D und G

SOLAR BOOSTER G, GH From 2009

25-01-2011

ET-Liste-Nr. SOLAD08

10

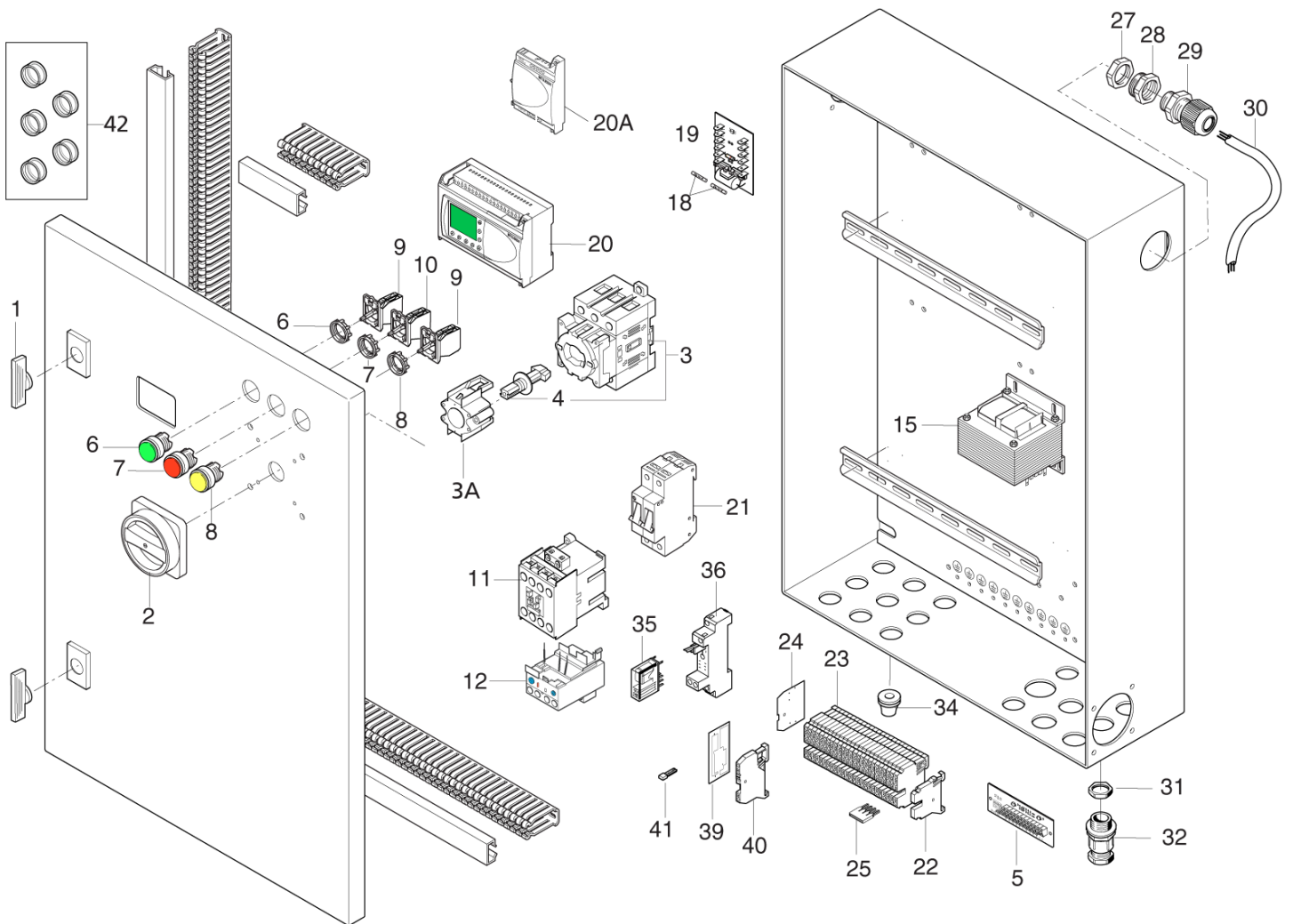
Elektronik

SOLAR BOOSTER G, GH From 2009

25-01-2011

ET-Liste-Nr. SOLAD06

11



Elektronik

SOLAR BOOSTER G, GH From 2009

25-01-2011

ET-Liste-Nr. SOLAD06

12

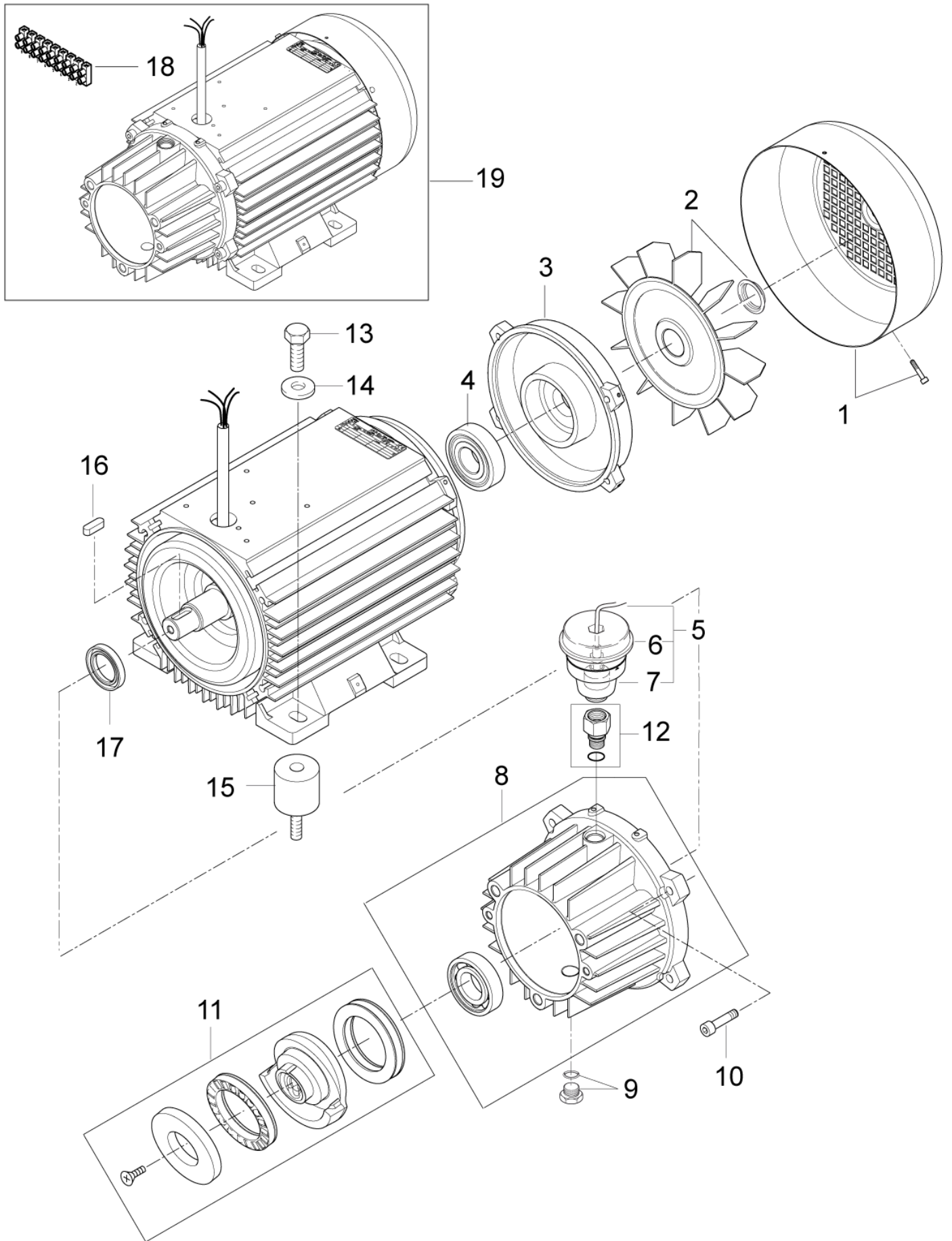
Motor-Pumpeneinheit 5 (a)

SOLAR BOOSTER G, GH From 2009

25-01-2011

ET-Liste-Nr. SOLAR10

13



Motor-Pumpeneinheit 5 (a)

SOLAR BOOSTER G, GH From 2009

25-01-2011

ET-Liste-Nr. SOLAR10

14

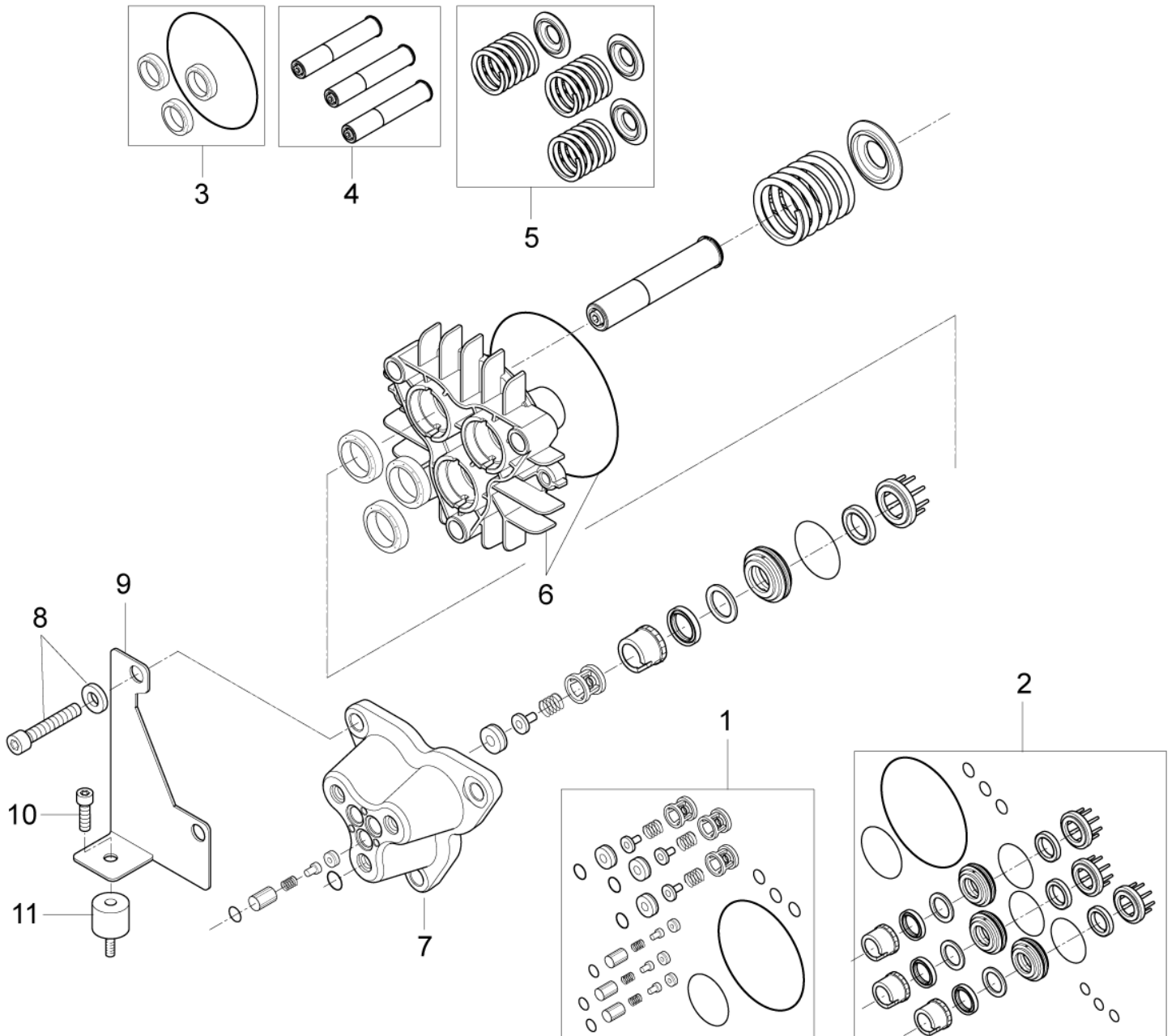
Motor-Pumpeneinheit 5 (b)

SOLAR BOOSTER G, GH From 2009

25-01-2011

ET-Liste-Nr. SOLAR12

15



Motor-Pumpeneinheit 5 (b)

SOLAR BOOSTER G, GH From 2009

25-01-2011

ET-Liste-Nr.

SOLAR12

16

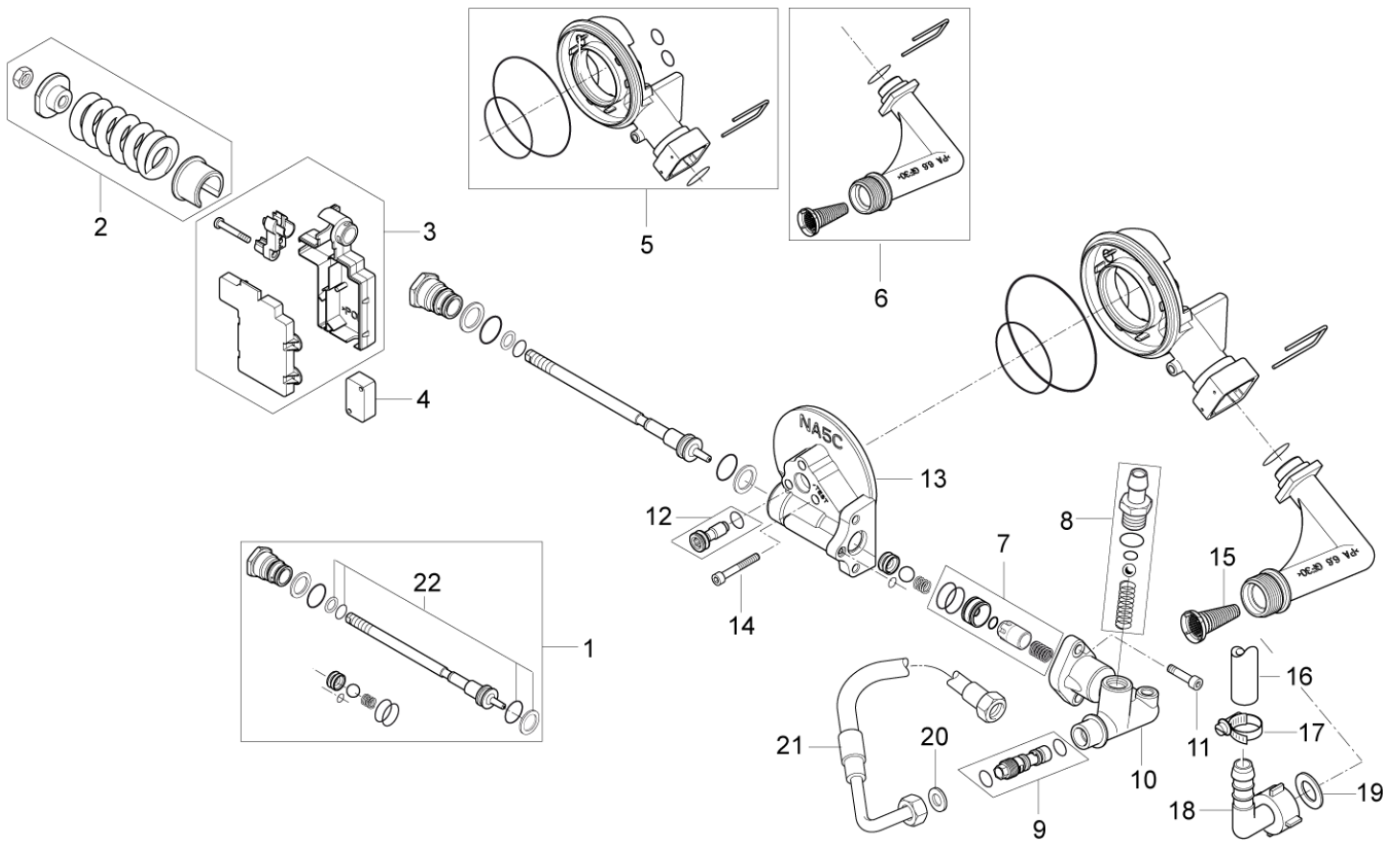
Motor-Pumpeneinheit 5 (c)

SOLAR BOOSTER G, GH From 2009

25-01-2011

ET-Liste-Nr. SOLAR14

17



Motor-Pumpeneinheit 5 (c)

SOLAR BOOSTER G, GH From 2009

25-01-2011

ET-Liste-Nr. SOLAR14

18

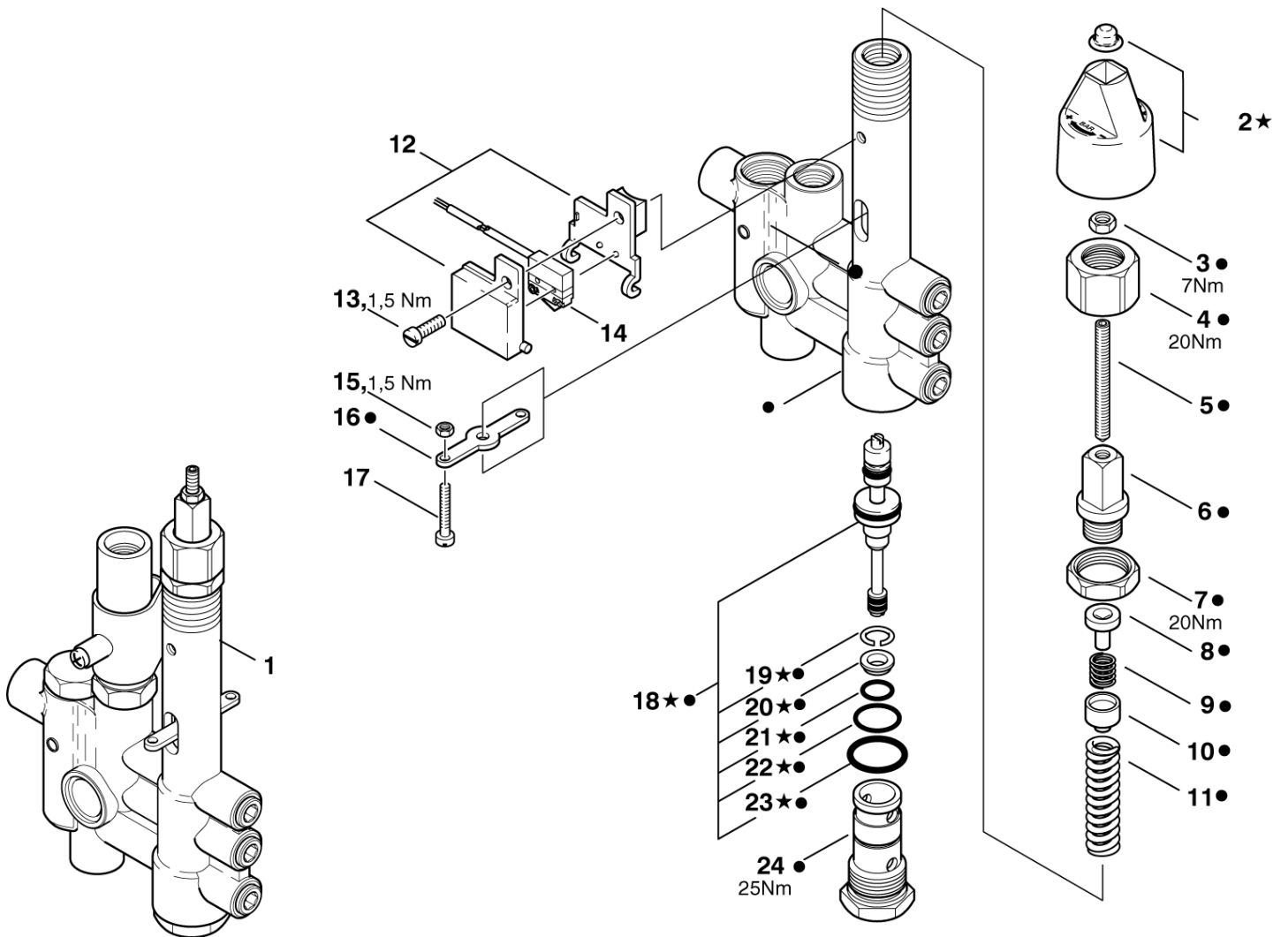
Motor-Pumpeneinheit 7 (a)

SOLAR BOOSTER G, GH From 2009

25-01-2011

ET-Liste-Nr.
SOLARB10

19



Motor-Pumpeneinheit 7 (a)

SOLAR BOOSTER G, GH From 2009

25-01-2011

ET-Liste-Nr.
SOLARB10

20

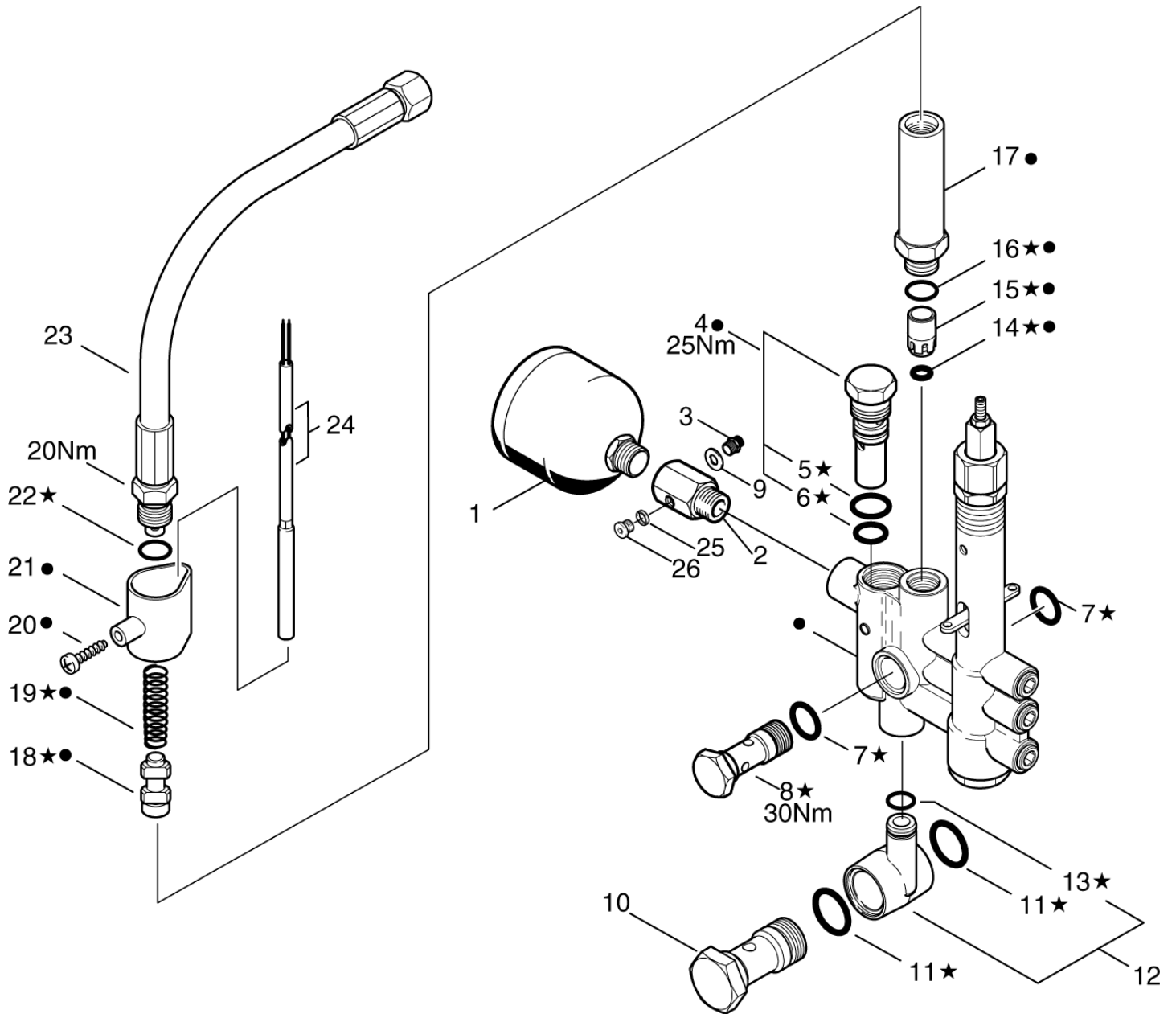
Motor-Pumpeneinheit 7 (b)

SOLAR BOOSTER G, GH From 2009

25-01-2011

ET-Liste-Nr.
SOLARB12

21



Motor-Pumpeneinheit 7 (b)

SOLAR BOOSTER G, GH From 2009

25-01-2011

ET-Liste-Nr.
SOLARB12

22

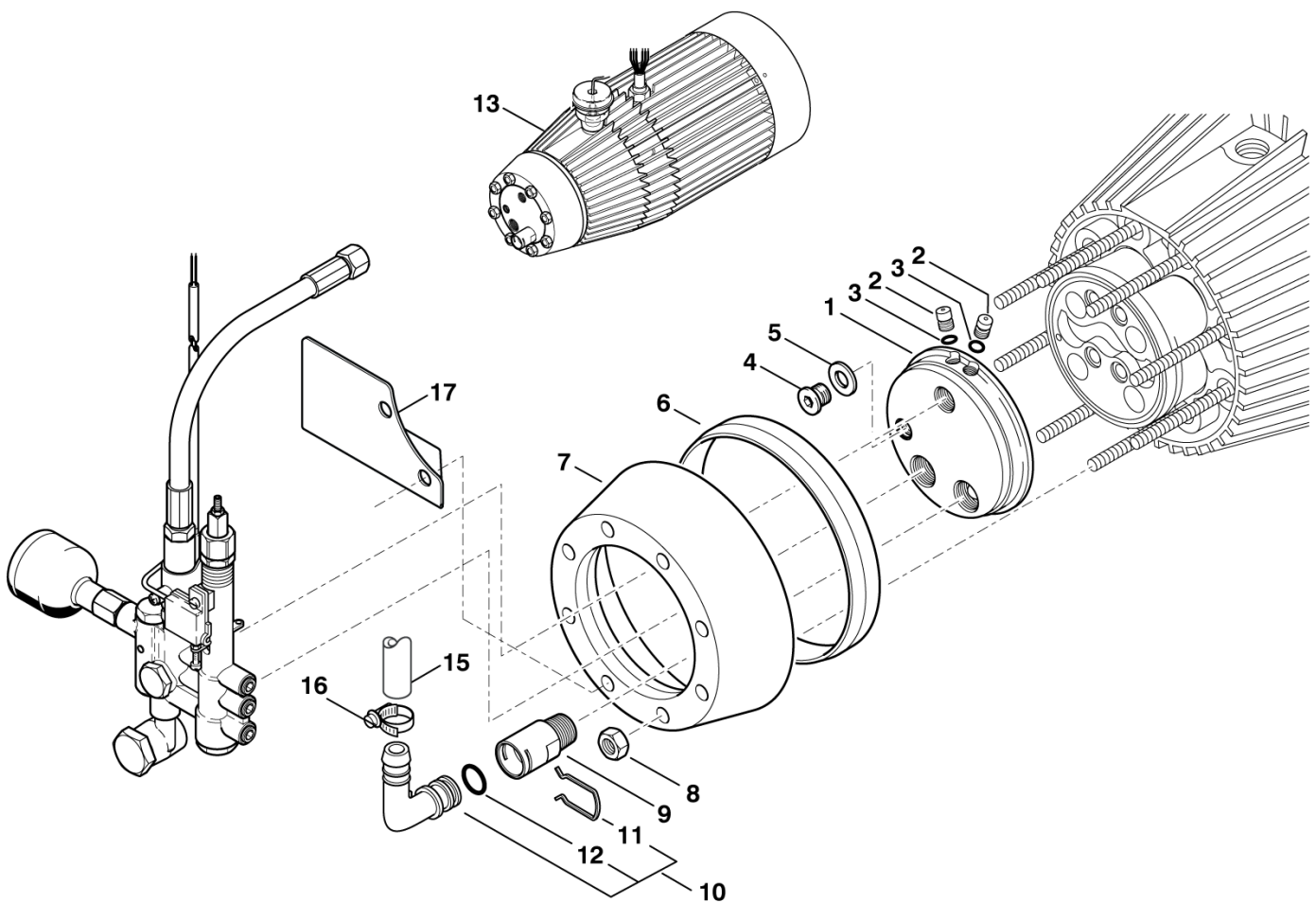
Motor-Pumpeneinheit 7 (c)

SOLAR BOOSTER G, GH From 2009

25-01-2011

ET-Liste-Nr.
SOLARB14

23



Motor-Pumpeneinheit 7 (c)

SOLAR BOOSTER G, GH From 2009

25-01-2011

ET-Liste-Nr.
SOLARB14

24

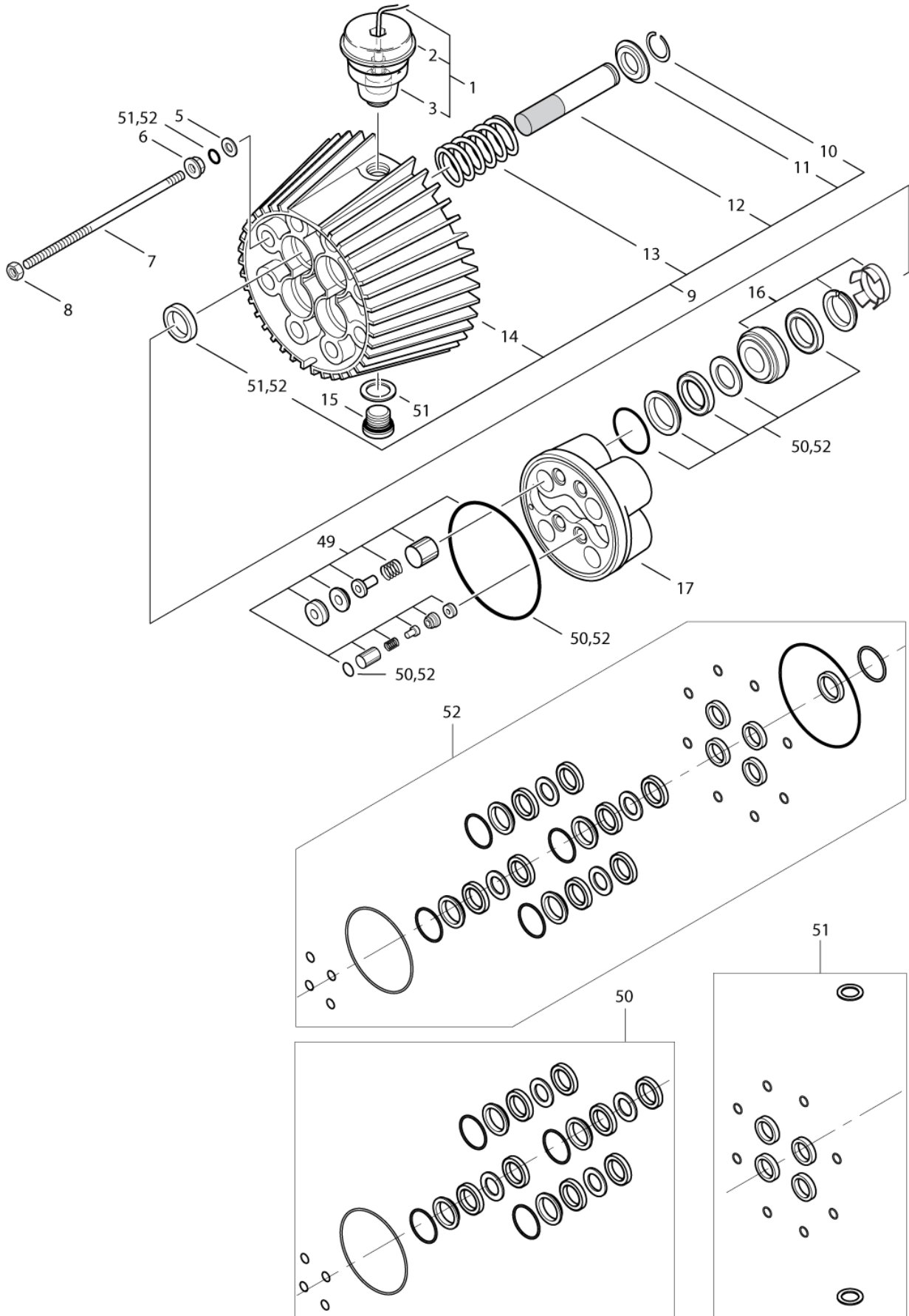
Motor-Pumpeneinheit 7 (d)

SOLAR BOOSTER G, GH From 2009

25-01-2011

ET-Liste-Nr.
SOLARB16

25



Motor-Pumpeneinheit 7 (d)

SOLAR BOOSTER G, GH From 2009

25-01-2011

ET-Liste-Nr.
SOLARB16

26

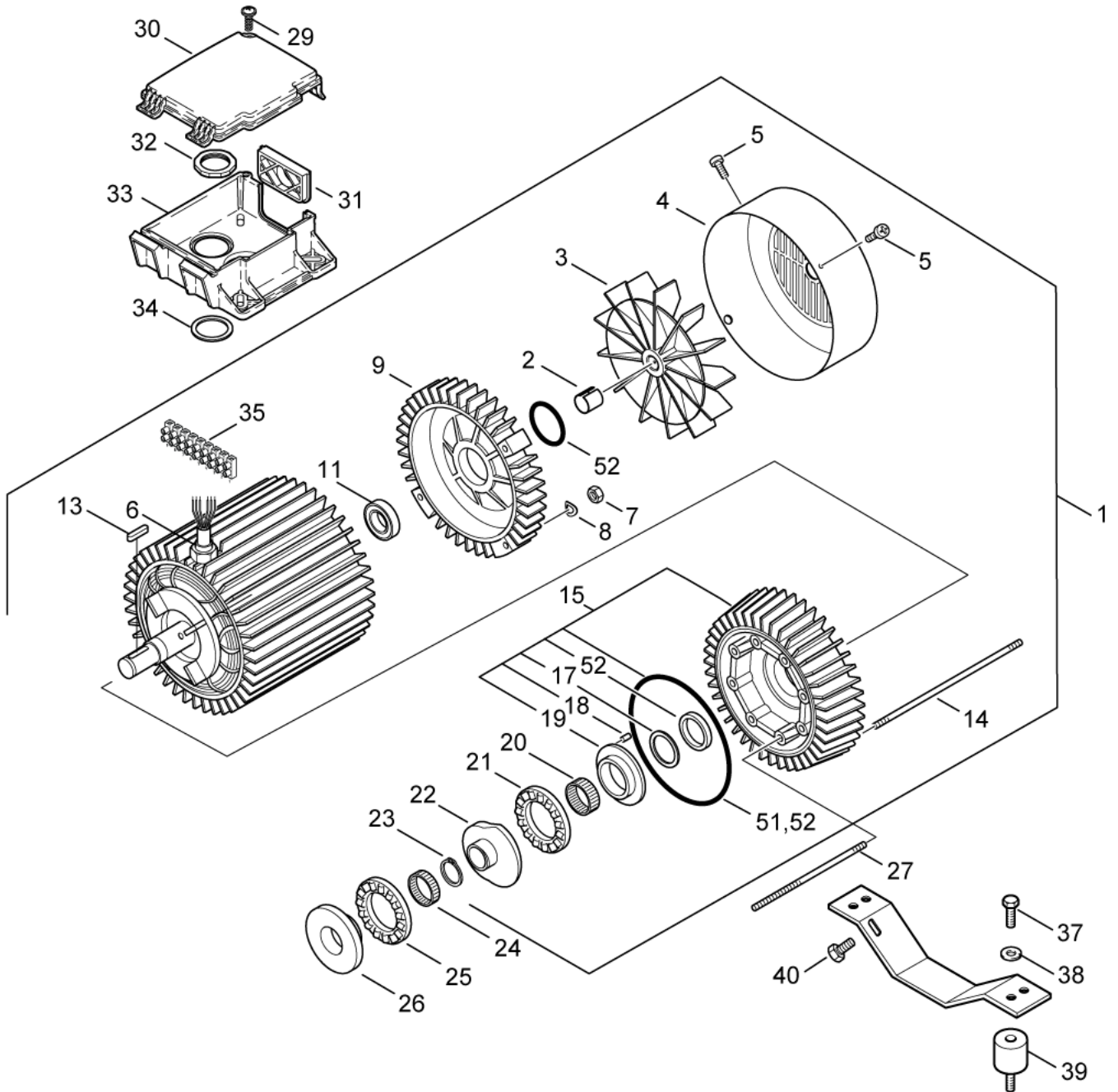
Motor-Pumpeneinheit 7 (e)

SOLAR BOOSTER G, GH From 2009

25-01-2011

ET-Liste-Nr.
SOLARD08

27



Motor-Pumpeneinheit 7 (e)

SOLAR BOOSTER G, GH From 2009

25-01-2011

ET-Liste-Nr.
SOLARD08

28

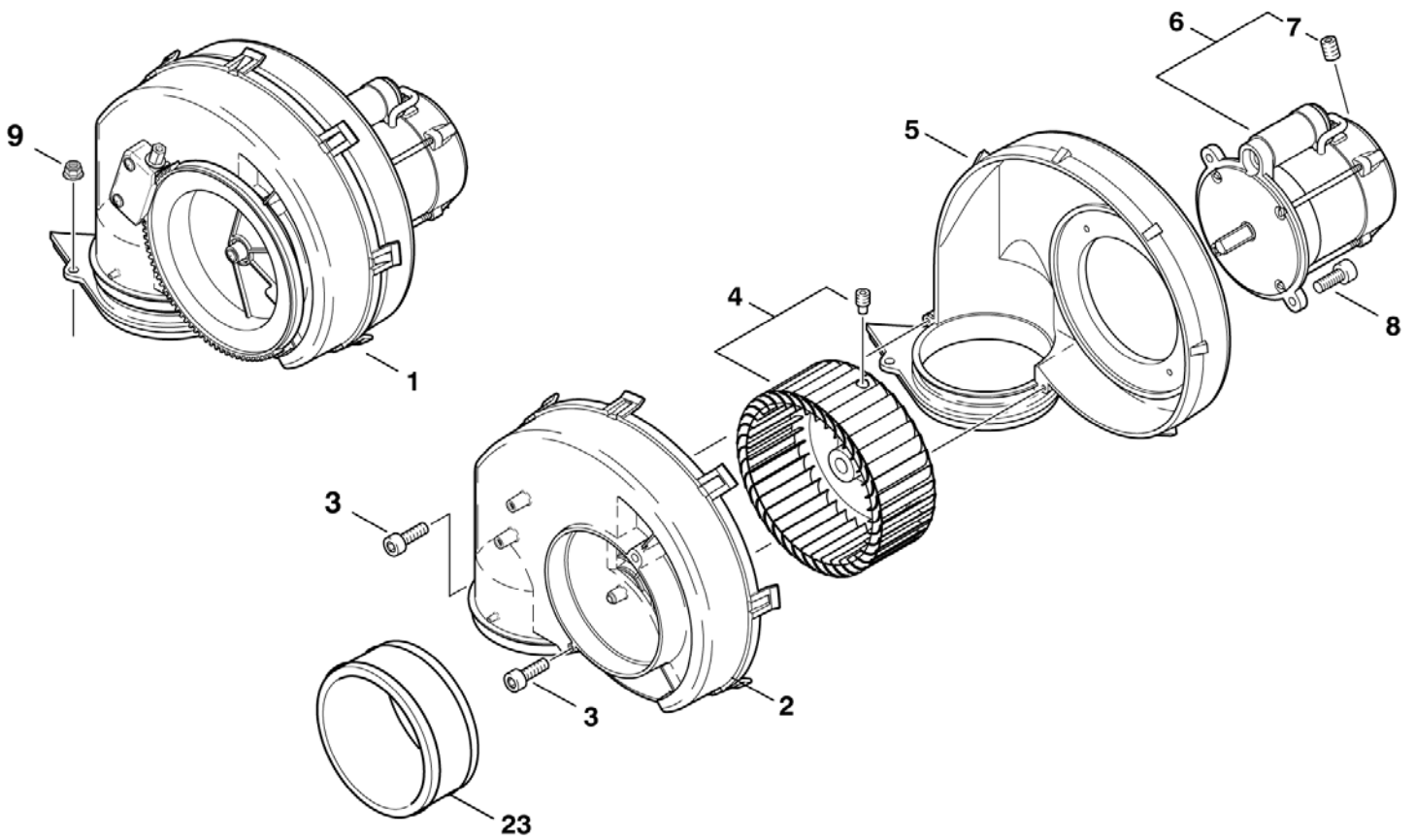
Gebläse G

SOLAR BOOSTER G, GH From 2009

25-01-2011

ET-Liste-Nr.
SOLARG14

29



Gebläse G

SOLAR BOOSTER G, GH From 2009

25-01-2011

ET-Liste-Nr.
SOLARG14

30

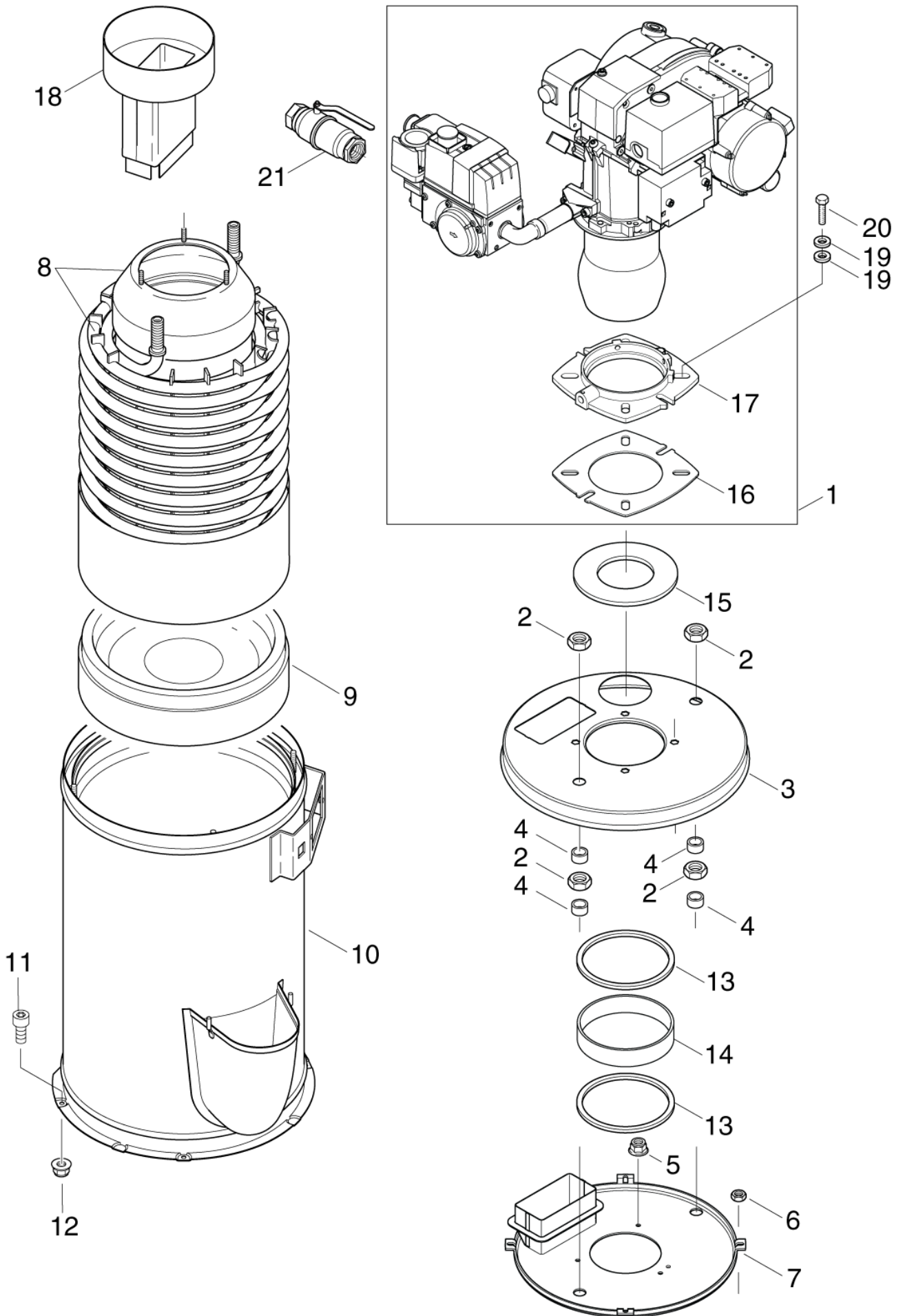
Brenner G

SOLAR BOOSTER G, GH From 2009

25-01-2011

ET-Liste-Nr.
SOLARG08

31



Brenner G

SOLAR BOOSTER G, GH From 2009

25-01-2011

ET-Liste-Nr.
SOLARG08

32

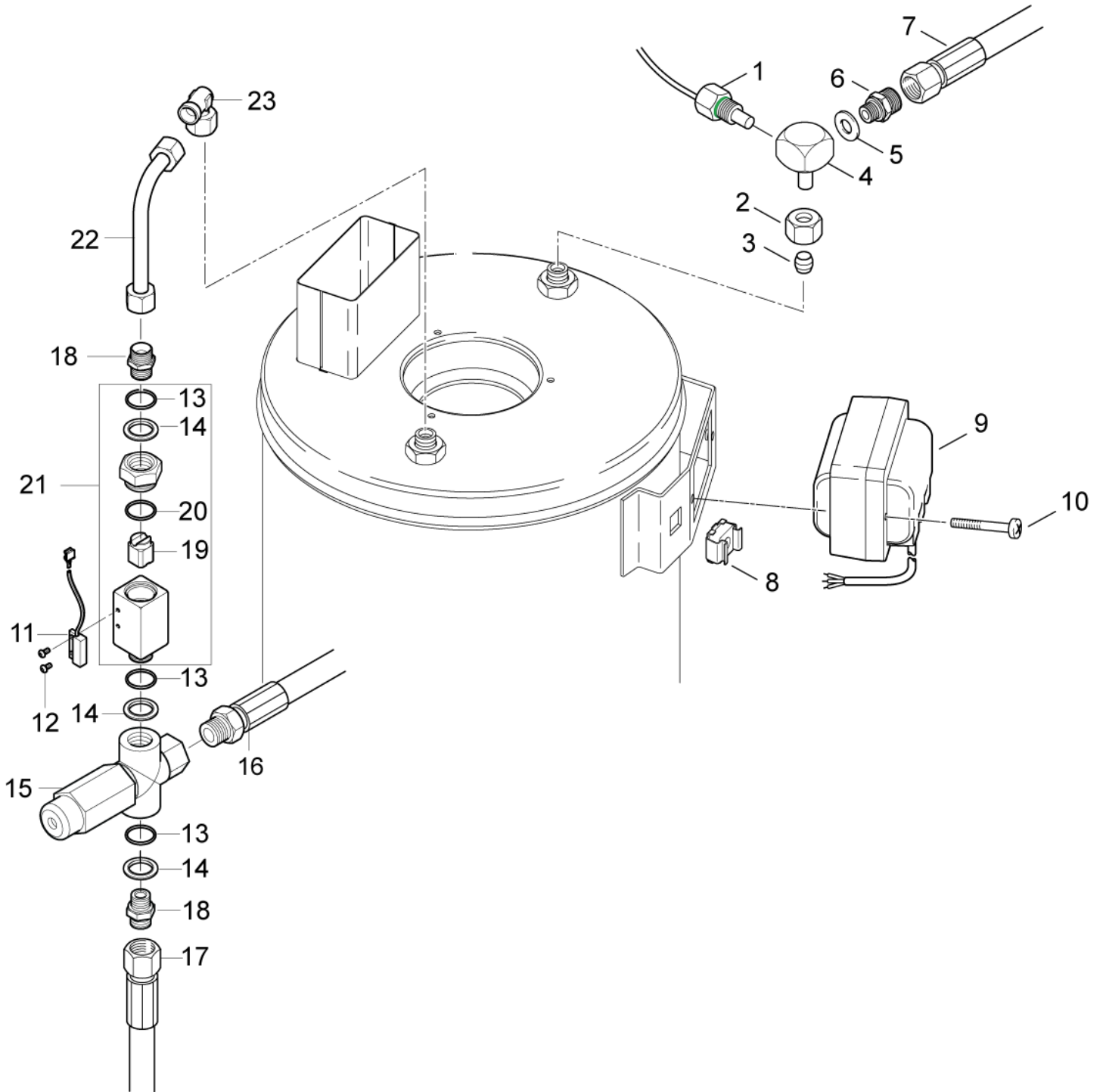
Verteiler G5

SOLAR BOOSTER G, GH From 2009

25-01-2011

ET-Liste-Nr.
SOLARG10

33



Verteiler G5

SOLAR BOOSTER G, GH From 2009

25-01-2011

ET-Liste-Nr.
SOLARG10

34

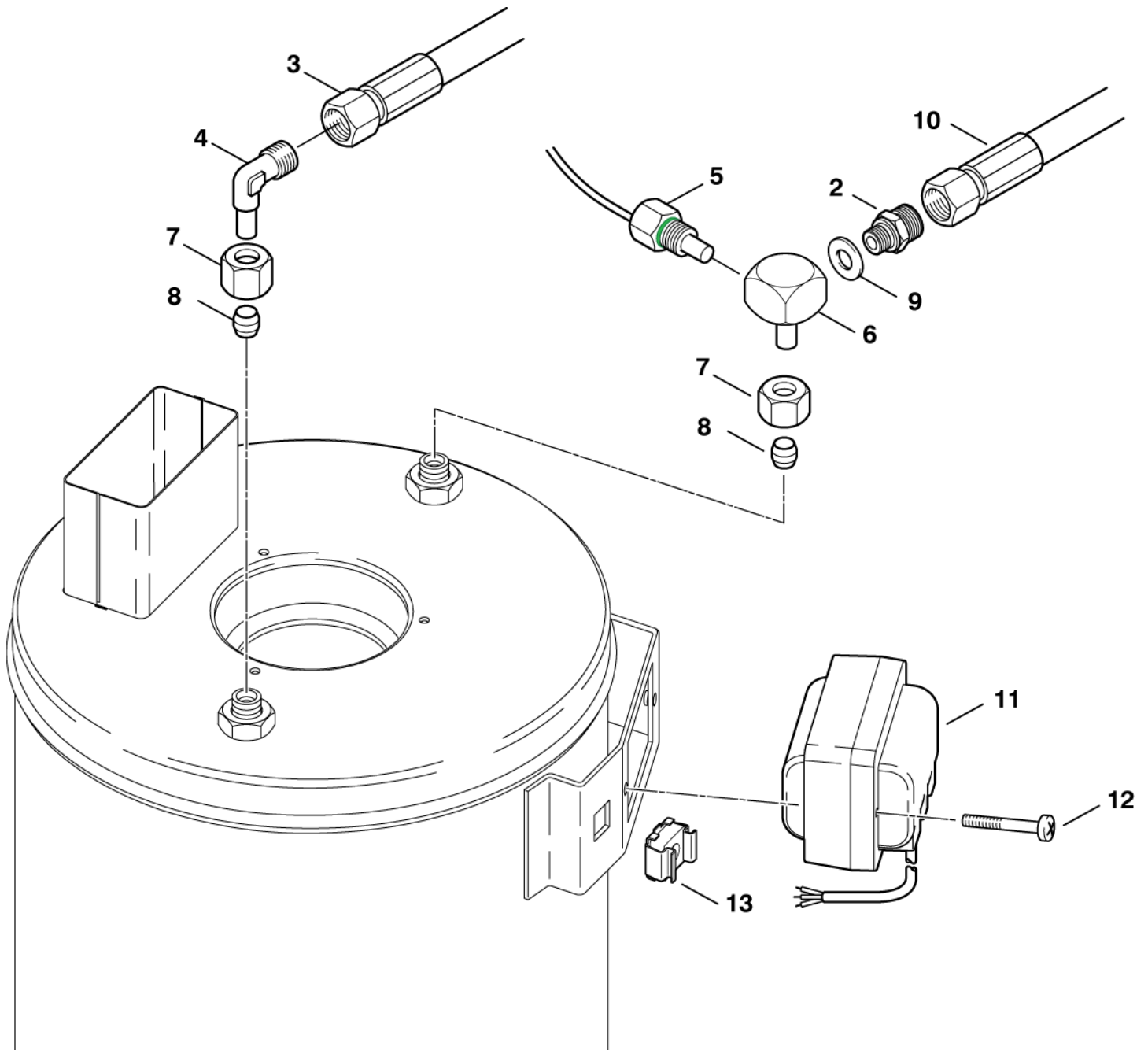
Verteiler G7

SOLAR BOOSTER G, GH From 2009

25-01-2011

ET-Liste-Nr.
SOLARG12

35



Verteiler G7

SOLAR BOOSTER G, GH From 2009

25-01-2011

ET-Liste-Nr.
SOLARG12

36

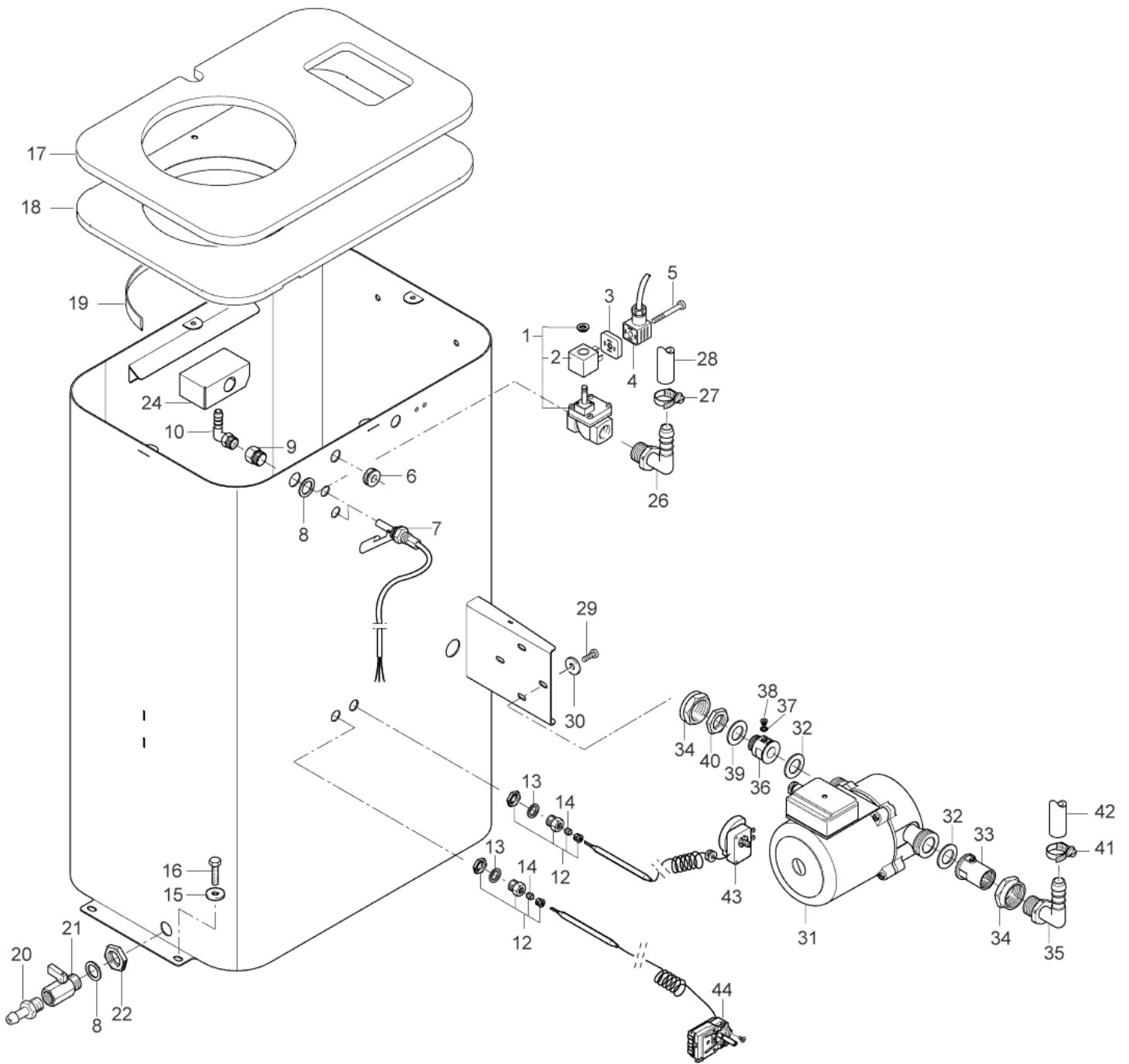
Heiztank GH

SOLAR BOOSTER G, GH From 2009

25-01-2011

ET-Liste-Nr.
SOLARGH08

37



Heiztank GH

SOLAR BOOSTER G, GH From 2009

25-01-2011

ET-Liste-Nr.
SOLARGH08

38

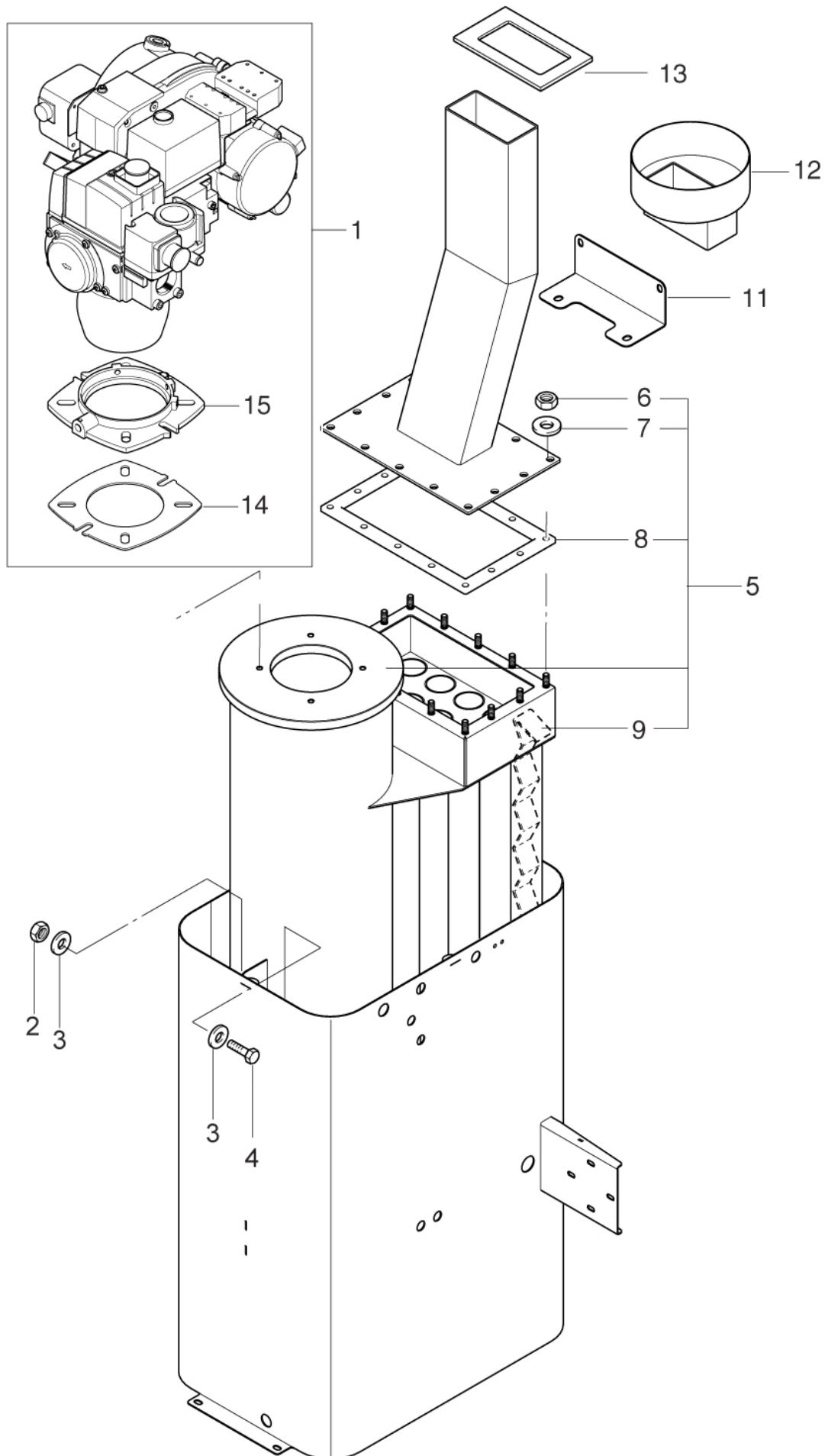
Gasbrenner -GH

SOLAR BOOSTER G, GH From 2009

25-01-2011

ET-Liste-Nr.
SOLARGH10

39



Gasbrenner -GH

SOLAR BOOSTER G, GH From 2009

25-01-2011

ET-Liste-Nr.
SOLARGH10

40

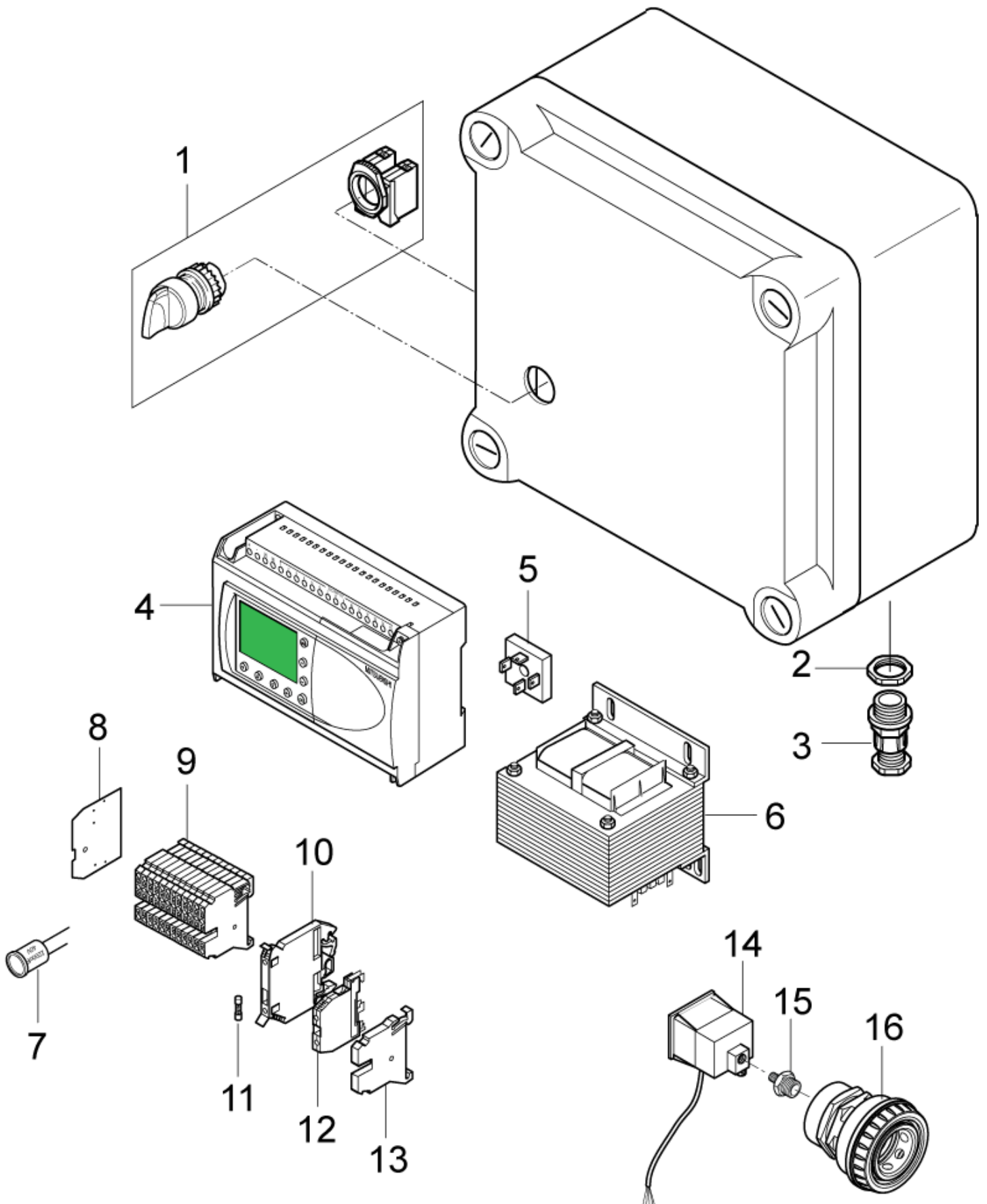
Maschinenverbindung MMO

SOLAR BOOSTER G, GH From 2009

25-01-2011

ET-Liste-Nr.
SOLARBD16T

41



Maschinenverbindung MMO

SOLAR BOOSTER G, GH From 2009

25-01-2011

ET-Liste-Nr.
SOLARBD16T

42

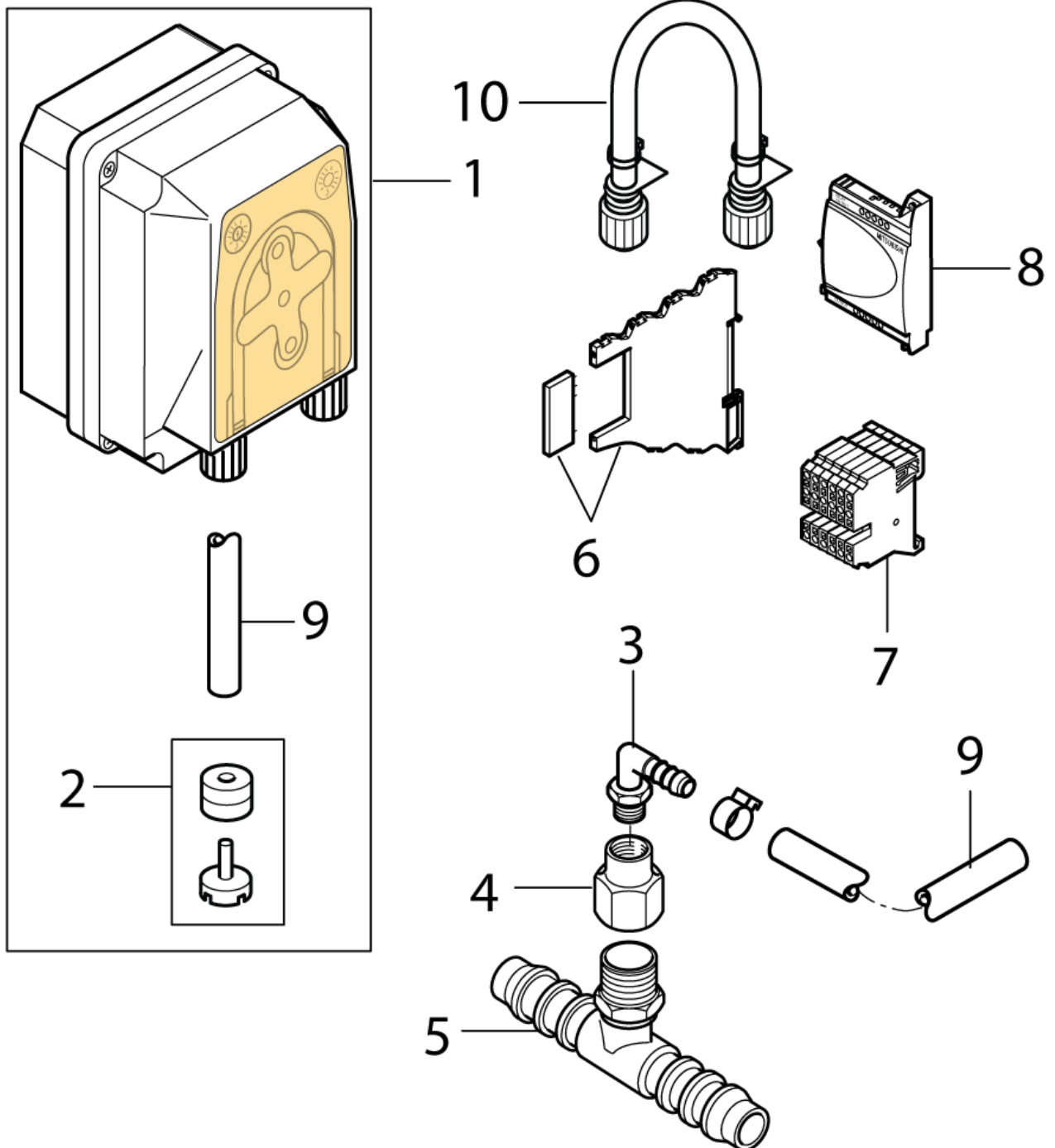
1 X Reinigungsmittel automatisch

SOLAR BOOSTER G, GH From 2009

25-01-2011

ET-Liste-Nr.
SOLARB50

43



1 X Reinigungsmittel automatisch

SOLAR BOOSTER G, GH From 2009

25-01-2011

ET-Liste-Nr.
SOLARB50

44

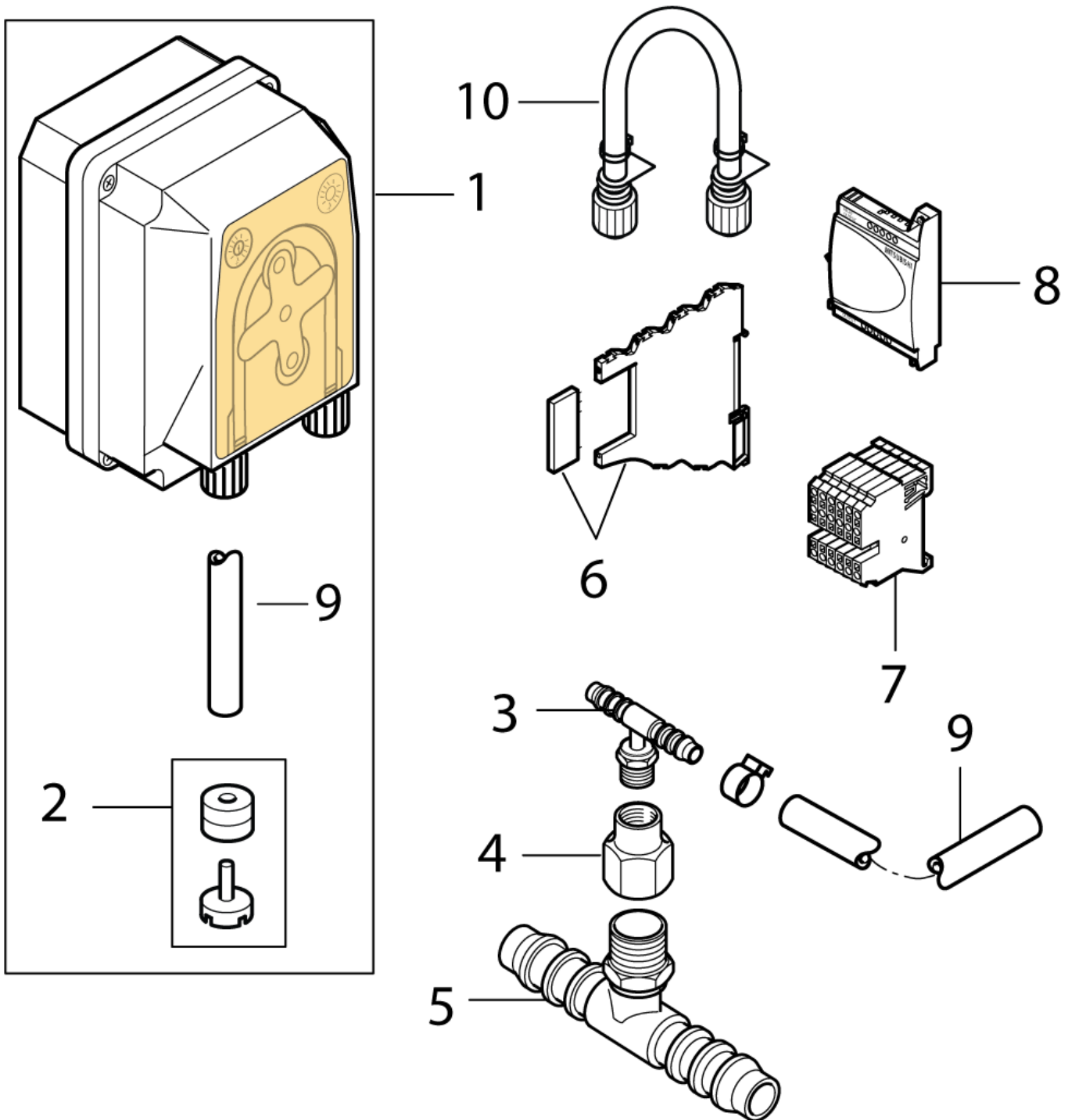
2 X Reinigungsmittel automatisch

SOLAR BOOSTER G, GH From 2009

25-01-2011

ET-Liste-Nr.
SOLARB52

45



2 X Reinigungsmittel automatisch

SOLAR BOOSTER G, GH From 2009

25-01-2011

ET-Liste-Nr.
SOLARB52

46

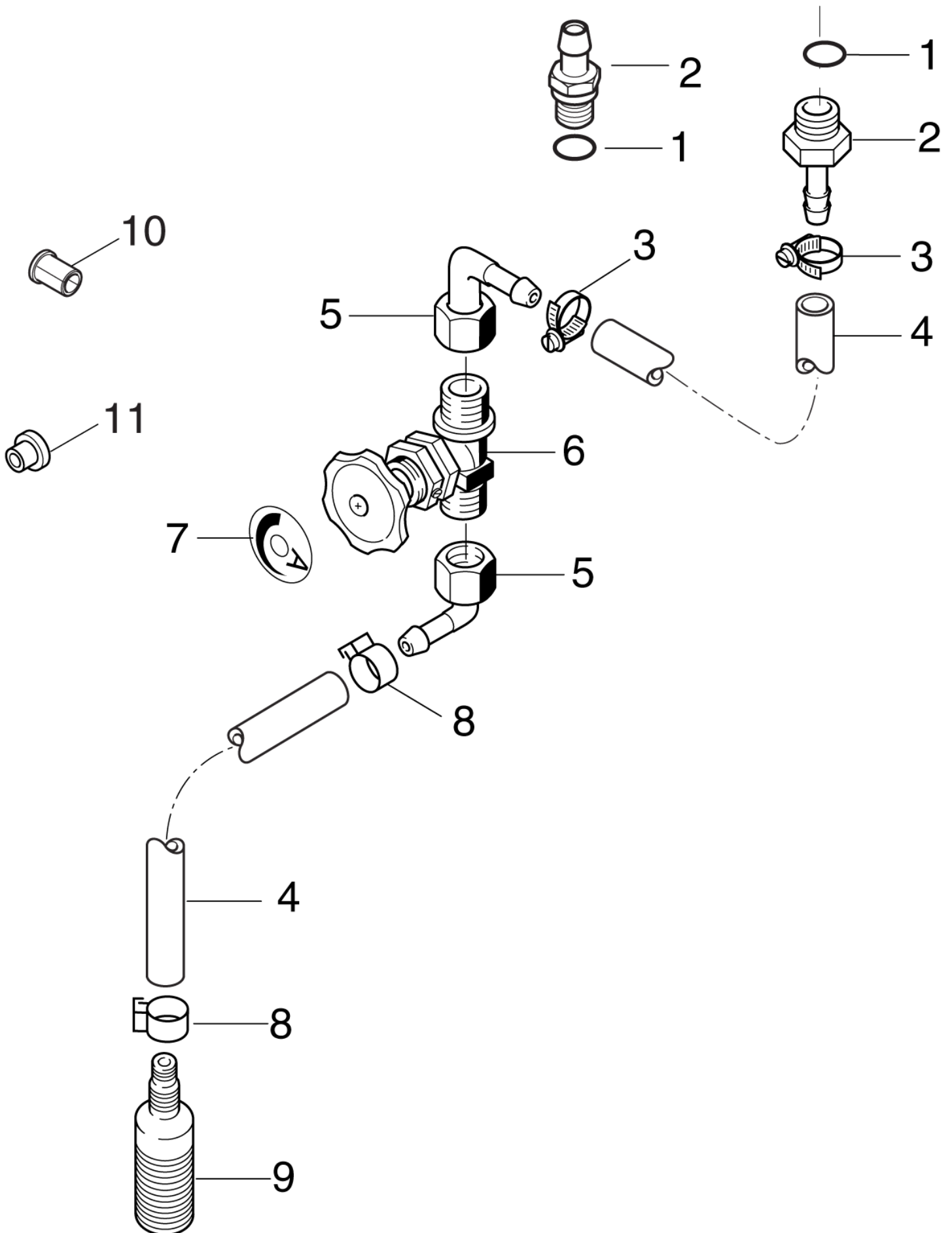
1 X Reinigungsmittel manuell -5 und 7-

SOLAR BOOSTER G, GH From 2009

25-01-2011

ET-Liste-Nr.
SOLARB54

47



1 X Reinigungsmittel manuell -5 und 7-

SOLAR BOOSTER G, GH From 2009

25-01-2011

ET-Liste-Nr.
SOLARB54

48

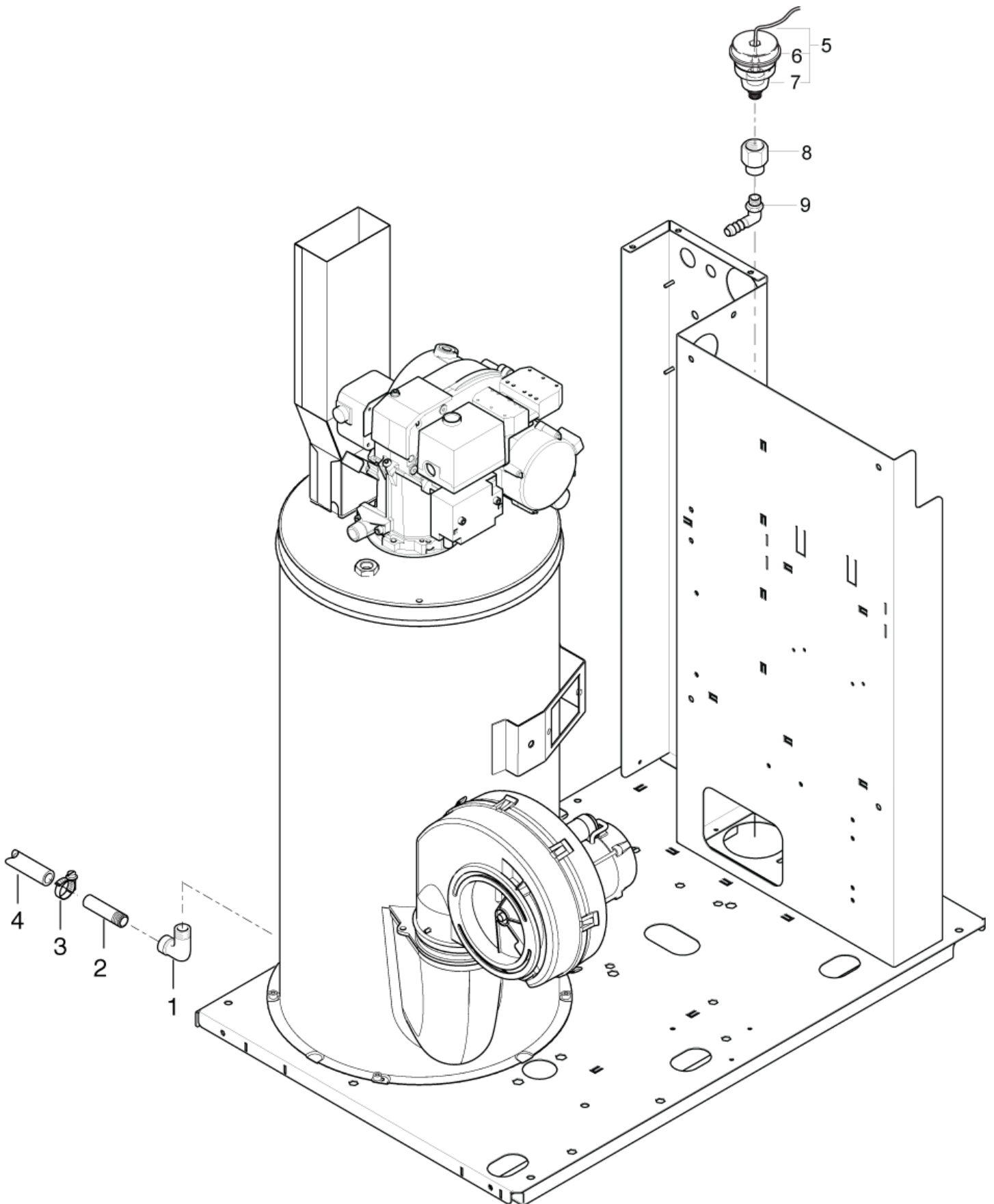
Water lock G

SOLAR BOOSTER G, GH From 2009

25-01-2011

ET-Liste-Nr.
SOLARG16

49



Water lock G

SOLAR BOOSTER G, GH From 2009

25-01-2011

ET-Liste-Nr.
SOLARG16

50

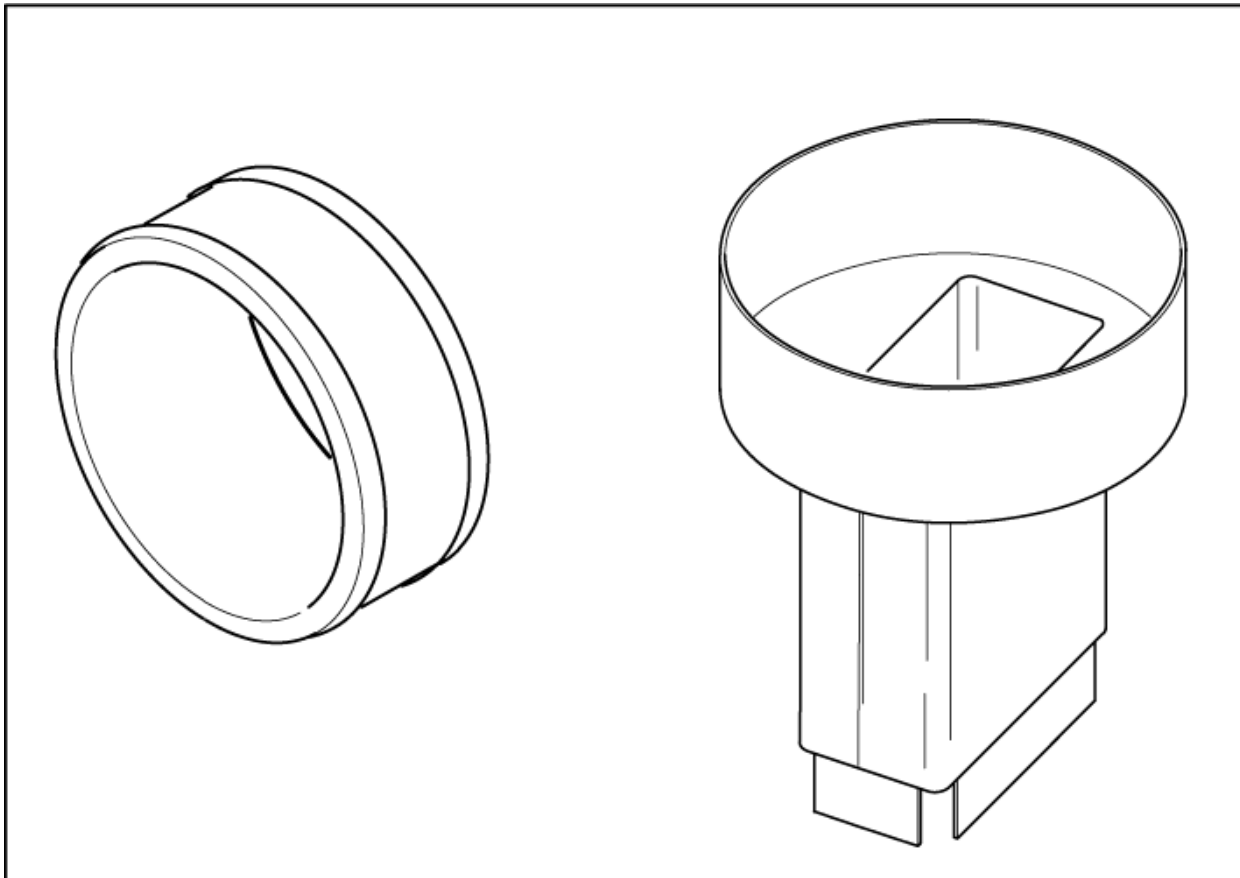
Frischluftzuführung - SOLAR BOOSTER G/

SOLAR BOOSTER G, GH From 2009

25-01-2011

ET-Liste-Nr.
SOLARG18

51



Frischluftzuführung - SOLAR BOOSTER G/

SOLAR BOOSTER G, GH From 2009

25-01-2011

ET-Liste-Nr.
SOLARG18

52